

VESA Bracket for BOX-PC Series

BX-BKT-VESA01 User's Guide

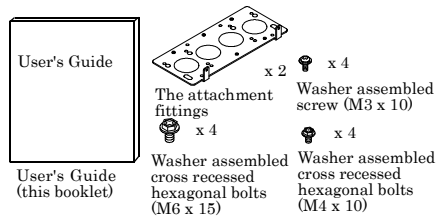
CONTEC CO.,LTD.

Thank you for purchasing the CONTEC product. This is a metal fitting to fix the CONTEC IPC-BX950 series products to the LCD display etc., that supports VESA-rated (75x75, 100x100, 200x100, 200x200, 400x200mm).

Product Configuration List

Check, with the following list, that your package is complete. If you discover damaged or missing items, contact your retailer.

- The attachment fittings...2
- User's Guide (this booklet)...1
- Washer assembled cross recessed hexagonal bolts (M4 x 10)...4
- Washer assembled cross recessed hexagonal bolts (M6 x 15)...4
- Washer assembled screw (M3 x 10)...4



Specification

- Weight 500g / 1set

Attaching Method

1. Referring to the diagram below, secure it to the display by screwing the attached washer assembled cross recessed hexagonal bolts M4 x 10 (in case of VESA100 x 100mm) or M6 x 15 (in case of VESA400 x 200mm) into this product.
2. Fix the IPC-BX950 series to this product by screwing the attached washer assembled screw (M3 x 10).

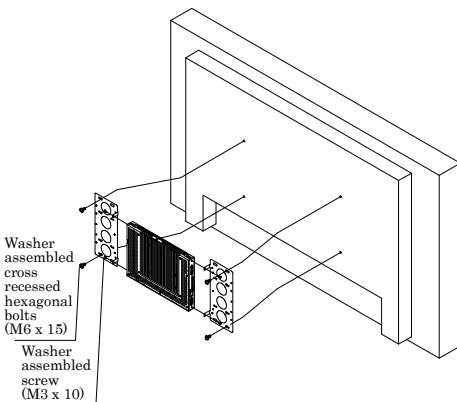


Figure 1. VESA400 x 200mm

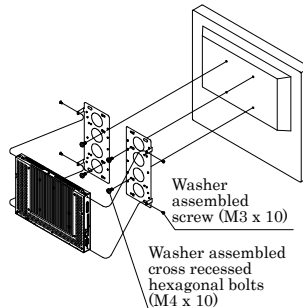


Figure 2. VESA100 x 100mm

Physical Dimensions

As shown in the diagram, attach the attachment fittings to the right and left of the main body by using the attached four screws (M3 x 10).

⚠ CAUTION

Referring to the installation requirements written in the manual, IPC-BX950 series, allow a space between the main body and an adjacent object when installing.

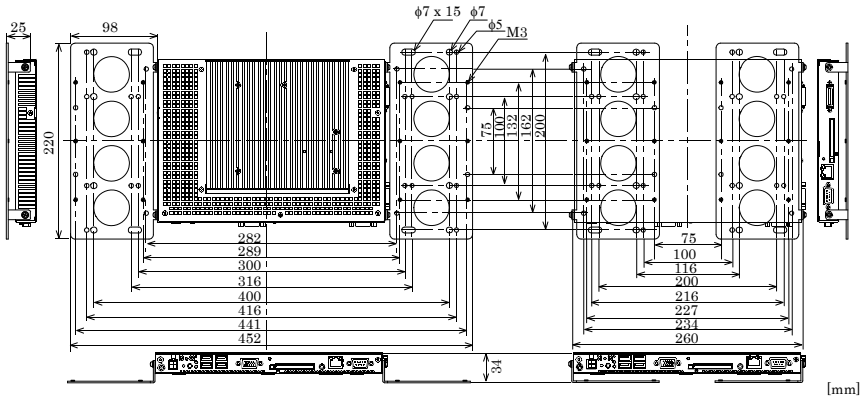


Figure 3. Physical Dimensions (When attaching to the IPC-BX950 series)

⚠ CAUTION

- No part of this document may be copied or reproduced in any form by any means without prior written consent of CONTEC CO., LTD.
- CONTEC CO., LTD. makes no commitment to update or keep current the information contained in this document. The information in this document is subject to change without notice.
- All relevant issues have been considered in the preparation of this document. Should you notice an omission or any questionable item in this document, please feel free to notify CONTEC CO., LTD.
- Regardless of the foregoing statements, CONTEC is not liable for any damages whatsoever (including damages for loss of business profits) arising out of the use or inability to use this CONTEC product or the information contained herein.
- The attached bolt may fail to cling depending on the display. In such a case, please use the appropriate one to your needs.
- When disposing of this product, treat it in accordance with the disposal regulations stipulated by your local government.

Copyright 2008 CONTEC CO., LTD. ALL RIGHTS RESERVED.

CONTEC CO., LTD.

3-9-31, Himesato, Nishiyodogawa-ku, Osaka 555-0025, Japan

Japanese <http://www.contec.co.jp/>

English <http://www.contec.com/>

Chinese <http://www.contec.com.cn/>

December 2008 Edition

A-51-609 (LYJS342)

12052008_rev2 [07162008]

No part of this document may be copied or reproduced in any form by any means without prior written consent of CONTEC CO., LTD.