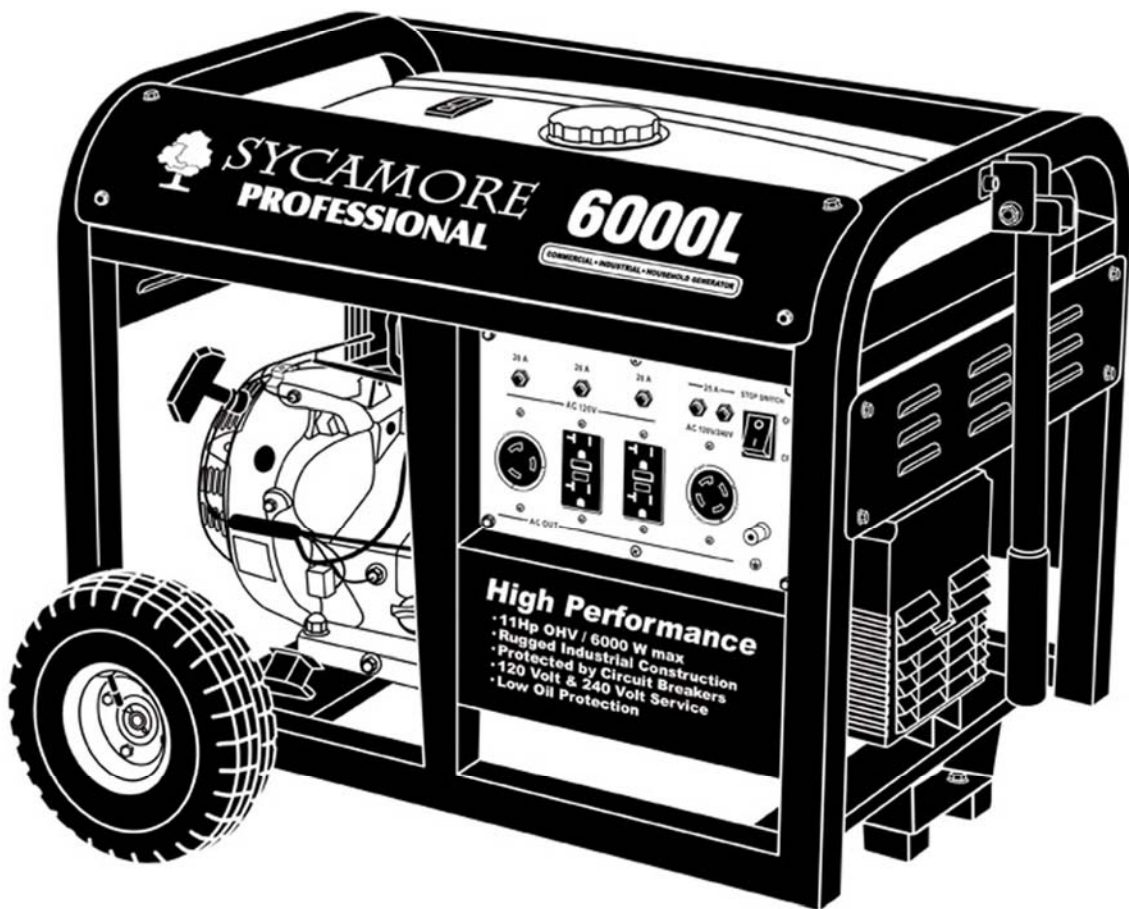




**SYCAMORE
PROFESSIONAL**

Owner's Manual 6000 WATT GENERATOR

Model 6000L



CAUTION

Before using this product, read this manual and follow all Safety Rules and Operating Instructions

Questions?

Helpline-TollFree(800)801-2051 Local(502)292-4850
Monday-Friday 8 to 5 pm (EST)

**SYCAMORE SCS, LLC
LOUISVILLE, KENTUCKY U.S.A.**

PREFACE

Thank you for purchasing products from SYCAMORE SCS, LLC. We appreciate your business. The following manual is only a guide to assist you and is not a complete or comprehensive manual of all aspects of maintaining and repairing your generator. The equipment you have purchased is a complex piece of machinery. We recommend that you consult with a dealer if you have doubts or concerns as to your experience or ability to properly maintain or repair your equipment. You will save time and avoid the inconvenience of having to go back to the store if you choose to write or call us concerning missing parts, service questions, operating advice, and/or assembly questions. Our gasoline generators have some of the following features:

- Lightweight construction
- Air cooled, four stroke gasoline internal combustion engine
- Recoil starter
- Large, spark arrestor muffler
- Circuit protector
- AC Outlets
- Low oil level sensor

Air-cooled gasoline generators are widely used when electrical power is scarce. Our generators provide a portable solution in supplying power for field operations during project construction.

This manual will explain how to operate and service your generator set.

If you have any questions or suggestions about this manual, please contact your local dealer or us directly. *Consumers should notice that this manual might differ slightly from the actual product as more improvements are made to our products. Some of the pictures in this manual may differ slightly from the actual product as well.*

6000 Watt Generator

Table of Contents

Table of Contents	2
Safety Guidelines – Definitions	4
Save These Important Safety Instructions!	4
General Precautions	5
Carbon Monoxide	5
Gasoline and Oil.....	5
Hot Components	6
Power Output	6
Work Area	6
Electrical Safety.....	7
Personal Safety	8
Generator Use and Care	9
Servicing.....	9
Heart Pacemakers.....	9
Installation	10
Mechanical	11
Chemicals.....	11
Noise	12
Extension Cord.....	12
Assembly.....	13
Wheel and Handle Assembly	13
Wheel Assembly.....	13
V-Leg Support Assembly.....	13
Handle Assembly	14
Specifications	15
General Parts Listing.....	16
Figure A.....	16
Generator Parts Listing	18
Figure B.....	18

Owner's Manual

Panel Parts Listing	19
Figure C.....	19
Engine Parts Listing	20
Figure D.....	20
Figure E.....	22
Figure F	23
Figure G	24
Figure H.....	25
Installation	27
General Location	27
Support and Mounting	28
Grounding.....	28
Operation	29
Before Starting the Generator	29
Starting	30
Powering 120 Volt AC Tools and Equipment:	31
Inspection, Cleaning, and Maintenance	32
Trouble Shooting.....	33
Wiring Diagram	34
Compliance	35
Limited Warranty	36



WARNING! READ AND UNDERSTAND ALL SAFETY PRECAUTIONS IN THIS MANUAL BEFORE OPERATING. FAILURE TO COMPLY WITH INSTRUCTIONS IN THIS MANUAL COULD RESULT IN PERSONAL INJURY, PROPERTY DAMAGE, AND/OR VOIDING OF YOUR WARRANTY. SYCAMORE SCS WILL NOT BE LIABLE FOR ANY DAMAGE BECAUSE OF FAILURE TO FOLLOW THESE INSTRUCTIONS.

6000 Watt Generator

Safety Guidelines – Definitions

This manual contains important information that you need to know and understand in order to ENSURE YOUR SAFETY and to PREVENT EQUIPMENT PROBLEMS. The following symbols help you recognize this information. Please read the manual and pay attention to the notifications that follow these symbols.



WARNING! WARNINGS INDICATE CERTAIN OR STRONG POSSIBILITY OF PERSONAL INJURY OR DEATH IF INSTRUCTIONS ARE NOT FOLLOWED.



CAUTION: CAUTIONS INDICATE A POSSIBILITY OF EQUIPMENT DAMAGE IF INSTRUCTIONS ARE NOT FOLLOWED.



Note: Notes give helpful information.



WARNING! IMPROPER OPERATION OR MAINTENANCE OF THIS PRODUCT COULD RESULT IN SERIOUS INJURY AND PROPERTY DAMAGE. READ AND UNDERSTAND ALL WARNINGS AND OPERATING INSTRUCTIONS BEFORE USING THIS EQUIPMENT. WHEN USING POWER TOOLS, BASIC SAFETY PRECAUTIONS SHOULD ALWAYS BE FOLLOWED TO REDUCE THE RISK OF PERSONAL INJURY.

Save These Important Safety Instructions!

Read and understand all of these safety instructions. Be sure to retain them for future use.



General Precautions



WARNING! FAILURE TO FOLLOW THESE INSTRUCTIONS CAN RESULT IN SEVERE INJURY OR DEATH.



CAUTION: FAILURE TO FOLLOW THESE INSTRUCTIONS CAN ALSO RESULT IN DAMAGE TO THE TOOL AND/OR THE ITEM YOU ARE WORKING ON.

Carbon Monoxide

When this tool is running, ensure that the area is well ventilated. Never run the engine in an enclosed area without an exhaust evacuation system.



WARNING! THE EXHAUST CONTAINS POISONOUS CARBON MONOXIDE GAS THAT CAN CAUSE LOSS OF CONSCIOUSNESS AND MAY LEAD TO DEATH. CARBON MONOXIDE IS KNOWN TO CAUSE CANCER, BIRTH DEFECTS, AND OTHER REPRODUCTIVE HARM.

Gasoline and Oil

This product requires oil and fuel. Attempting to start the engine without oil will ruin the engine and void the warranty. Work in well ventilated areas. Keep cigarettes, flames, or sparks away from the work area or where gasoline is stored.



WARNING! GASOLINE IS EXTREMELY FLAMMABLE AND IS EXPLOSIVE UNDER CERTAIN CONDITIONS. KEEP OUT OF REACH OF CHILDREN.

- Gasoline fuel and fumes are flammable and potentially explosive. Use proper fuel storage and handling procedures. Always have multiple ABC class fire extinguishers nearby.
- Keep the generator and surrounding area clean at all times.
- Fuel or oil spills must be cleaned up immediately. Dispose of fluids and cleaning materials as per any local, state, or federal codes and regulations. Store oily rags in a covered metal container.
- Never store fuel or other flammable materials near the generator.
- Do not smoke or allow sparks, flames, or other sources of ignition around the engine or fuel tank. Fuel vapors are explosive.
- Keep grounded conductive objects such as tools away from exposed or live electrical parts and connections to avoid sparking or arcing. These objects could ignite fumes or vapors.
- Do not refill the fuel tank while the engine is running or while the engine is still hot. Do not operate a generator with known leaks in the fuel system.
- Use only the engine manufacturer's recommended fuel and oil.

6000 Watt Generator

General Precautions (cont'd)

Gasoline and Oil (cont'd)

- Excessive buildup of unburned fuel gases in the exhaust system can create a potentially explosive condition. This buildup can occur after repeated failed start attempts, valve testing, or hot engine shutdown. If this occurs, open exhaust system drain plugs and allow the gases to dissipate before attempting to restart the generator.

Hot Components



WARNING! ENGINE AND EXHAUST SYSTEM PARTS BECOME VERY HOT AND REMAIN HOT FOR SOME TIME AFTER ENGINE SHUT OFF. WEAR INSULATED GLOVES OR WAIT UNTIL THE ENGINE AND EXHAUST SYSTEM HAVE COOLED BEFORE HANDLING THESE PARTS.

Power Output

This generator is not designed to power sensitive electronic equipment (including computers and medical devices) without the addition of an approved line conditioner, which is sold separately.



CAUTION: ATTEMPTING TO POWER SENSITIVE ELECTRONIC EQUIPMENT WITHOUT THE USE OF AN APPROVED LINE CONDITIONER MAY CAUSE DAMAGE TO THE EQUIPMENT. SYCAMORE SCS IS NOT RESPONSIBLE FOR ANY DIRECT OR INDIRECT DAMAGE CAUSED BY FAILURE TO USE AN APPROVED LINE CONDITIONER.

Work Area

- Keep your work area clean and well lit. Cluttered benches and dark areas invite accidents.
- Do not operate power tools in explosive environments such as in the presence of flammable liquids, gases, or dust. Generators create sparks which may ignite dust or fumes.
- Keep bystanders, children, and visitors away while operating a generator. Provide barriers or shields as needed.



General Precautions (cont'd)

Electrical Safety



- Grounded tools must be plugged into an outlet, properly installed, and grounded in accordance with all codes and ordinances. Never remove the grounding prong or modify the plug in any way. Do not use any adapter plugs.
- Grounding provides a low-resistance path to carry electricity away from the user in the event of an electrical malfunction.
- Double insulated tools are equipped with a polarized plug where one blade is wider than the other. This plug fits into a polarized outlet in one way, only. If the plug does not fit fully in the outlet, reverse the plug. If it still does not fit, contact a qualified electrician to install a polarized outlet. Do not change the plug in any way. Double insulation eliminates the need for a three-wire grounded power cord and a grounded power supply system.
- Avoid body contact with grounded surfaces such as pipes, radiators, ranges, and refrigerators. There is an increased risk of electric shock if your body is grounded.
- Do not expose generator to rain or wet conditions. Water entering a generator will increase the risk of electric shock.
- Do not abuse the power cord. Keep power cords away from heat, oil, sharp edges, or moving parts. Replace damaged power cords immediately. Damaged power cords increase the risk of electric shock.
- When operating a power tool outside, use outdoor extensions cords marked "W-A" or "W". These extension cords are rated for outdoor use, and reduce the risk of electric shock.
- All connections and conduits from the generator to the load must be installed by trained and licensed electricians, only. Installations must be in compliance with all relevant local, state, and federal electrical codes and standards, and other regulations where applicable.
- For fixed installations, the generator must be earth-grounded before operation in accordance with all relevant electrical codes and standards.
- Do not attempt to connect or disconnect wires to the load while standing in water or on wet or soggy ground.
- Do not touch electrically energized parts of the generator and interconnecting cables or conductors with any part of the body or with any non-insulated conductive object.


6000 Watt Generator

General Precautions (cont'd)

Electrical Safety (cont'd)

- Before servicing equipment powered by the generator, disconnect the equipment from its power input.
- Keep all electrical equipment clean and dry. Replace any wiring where the insulation is cracked, cut, abraded, or otherwise degraded. Replace terminals that are worn, discolored, or corroded. Keep terminals clean and tight.
- Insulate all connections and disconnected wires.
- Guard against electric shock. Prevent body contact with grounded surfaces such as pipes, radiators, ranges, and refrigerators.

Personal Safety

- Stay alert. Watch what you are doing and use common sense when operating a generator. Do not use a generator while tired or under the influence of drugs, alcohol, or medication. A moment of inattention while operating generators may result in serious personal injury.
- 
- Dress properly. Do not wear loose clothing or jewelry. Contain long hair. Keep your hair, clothing, and gloves away from moving parts. Loose clothes, jewelry, or long hair can be caught in moving parts.
 - Avoid accidental starting. Make sure the power switch is in its "STOP" position and disconnect the spark plug wire when not in use.
 - Remove adjusting keys or wrenches before turning on the generator. A wrench or a key that is left attached to a rotating part of the generator may result in personal injury.
 - Do not overreach. Keep proper footing and maintain balance at all times.
 - Use safety equipment. Always wear eye protection. Wear ANSI approved safety impact eye goggles. Dust masks, non-skid safety shoes, hard hats, or hearing protection must be used for appropriate conditions.
 - Do not overload the generator. Use the appropriate generator for your application. The correct generator working at the rate for which it is designed, will do the job better and safer.
 - Do not use the generator if the power switch does not turn the generator on or off. Any generator that cannot be controlled by the power switch is dangerous and must be fixed or replaced.

General Precautions (cont'd)

Generator Use and Care

- Make sure the power switch is in its "STOP" position and disconnect the spark plug wire before making any adjustments, changing any accessories, or storing the generator. Such preventive safety measures reduce the risk of starting the generator accidentally.
- Store idle generators out of reach of children and other untrained persons. Generators are dangerous in the hands of untrained users.
- Maintain generators with care. Do not use a damaged generator. Tag damaged generators "DO NOT USE" until repaired.
- Check for misalignment or binding of moving parts, broken parts, and any other condition that may affect the generator's operation. If damaged, have the generator serviced before using. Many accidents are caused by poorly maintained generators.
- Use only accessories that are recommended by the manufacturer for your model. Accessories that may be suitable for one generator may become hazardous when used on another.

Servicing

- Maintain labels and name plates on the generator and engine. These carry important information. If unreadable or missing, contact SYCAMORE SCS immediately for a replacement.
- Generator servicing must be performed by qualified repair personnel only. Service or maintenance performed by unqualified personnel could result in a risk of injury.
- When servicing a generator, use only identical replacement parts and follow all appropriate instructions in this manual. Use of unauthorized parts or failure to follow maintenance instructions may create a risk of electric shock or injury.

Heart Pacemakers



WARNING! PEOPLE WITH PACEMAKERS SHOULD CONSULT THEIR PHYSICIAN(S) BEFORE USING THIS PRODUCT. ELECTROMAGNETIC FIELDS IN CLOSE PROXIMITY TO A HEART PACEMAKER COULD CAUSE INTERFERENCE TO OR FAILURE OF THE PACEMAKER.

6000 Watt Generator

General Precautions (cont'd)

Installation

- Ensure installation meets all applicable local and national safety and electrical codes. Have installation performed by a qualified licensed electrician or building contractor.
- All electrical work, including the earth-ground connection, should be completed by a licensed electrician.
- Any separate fuel storage or generator supply facility must be built or installed in full compliance with all relevant local, state, and federal regulations.
- It is recommended to use the generator only in well ventilated outdoor areas. A running gasoline engine will generate carbon monoxide. This colorless and odorless gas can cause serious injury or death if inhaled.
- If the generator is installed indoors, exhaust fumes must be piped out of the building using leak-free and heat resistant piping. Pipes and soundproofing insulation should not use any flammable materials nor should they be installed near any flammable objects. Generator exhaust fumes must be within legal limits and installation must always meet local building codes.
- If the generator is installed outdoors, it must be weatherproofed and should be soundproofed. It should not be run outdoors without adequate protection to the generator and wiring conduit.
- The generator weighs approximately 225 lbs. Without mechanical aid, lifting the generator off the ground will require two or more people. Never lift the generator using any part of the engine or alternator.
- Connect lifting equipment to the frame of the generator, only. Before lifting the generator with equipment, ensure that the equipment and supporting structure are in good condition and are rated to lift the intended load.
- Keep all personnel away from the suspended generator during relocation.
- The supporting floor or ground surface should be level and strong enough to safely hold the weight of the generator. If the surface is not level, strong cross members should be placed underneath the lower side of the generator frame. Ensure that cross members run the full length of the generator frame.
- For trailer installation, the generator should be mounted in the middle of the trailer and over the wheels. The trailer must be capable of supporting the weight of the generator, accessories, and all contents (tools, etc.).
- Install weatherproofing and sound insulation only when it is not raining nor snowing to avoid trapping moisture within the generator or within surrounding insulation.

General Precautions (cont'd)

Mechanical

- Always make sure the power switch is in its "STOP" position. Disconnect the spark plug wire and allow the engine to completely cool before carrying out maintenance.
- Check for damaged parts. Before using the generator, any part that appears damaged should be carefully checked to determine that it will operate properly and perform its intended function. Check for alignment and binding of moving parts, any broken parts or cracked mounting fixtures, and any other condition that may affect proper operation.
- The generator is designed with safety guards for protection against contact with moving parts. In any case, care must still be taken to protect personnel and equipment from other mechanical hazards when working in the vicinity of the generator.
- Do not operate the generator without safety guards. While the generator is running, do not attempt to reach around the safety guard for maintenance or any other reason.
- Keep hands, arms, long hair, loose clothing, and jewelry away from moving parts. Be aware that when engine parts are moving fast they cannot be seen clearly.
- Keep access doors closed and locked when access to the generator is not required.
- When working on or in the vicinity the generator, always wear protective clothing including ANSI approved safety gloves, safety eye goggles, and safety hats.
- Do not alter or adjust any part of the generator that is assembled and supplied by the manufacturer.
- Always follow and complete scheduled engine and generator maintenance.

Chemicals

- Avoid contact with hot fuel, oil, exhaust fumes, and hot solid surfaces.
- Avoid body contact with fuels, oils, and lubricants used in the generator. If swallowed, seek medical treatment immediately. If fuel is swallowed, do not induce vomiting. For skin contact with fuel, immediately wash with soap and water. For eye contact with fuel, immediately flush eyes with clean water and seek medical attention.

6000 Watt Generator

General Precautions (cont'd)

Noise

Prolonged exposure to noise levels above 85 dB is hazardous to hearing. Always wear ANSI approved ear protection when operating or working around the generator while it is running.

Extension Cord

If an extension cord (not included) is required, make sure to use only UL approved cords. Cords should have the correct gauge and length according to the following table:

Nameplate Amps (@ full load)	Cord Lengths			
	0'-50'	50'-100'	100'-150'	150'-200'
0-5	16	16	12	12
5.1 - 8	16	14	10	-
8.1 - 12	14	12	-	-
12.1 -15	12	10	-	-
15 - 20	10	10	-	-

Assembly

Wheel and Handle Assembly

Confirm that the following sub-assembly components are included:

- 1 Wheel Axle
- 2 Heavy Duty Wheels
- 4 Large Washers
- 2 Cotter Pins
- 1 Front Stand-off Support V-Leg
- 2 Support V-Leg Mounting Screws
- 1 Handle
- 1 Handle Mounting Bracket
- 1 Back Plate (Mounting Bracket)
- 3 Hinge Bolt Mounting Nuts
- 3 Three Inch Mounting Bolts

Wheel Assembly

Perform the following tasks to install the heavy duty wheels onto the generator assembly:

1. Insert axle through brackets located on the bottom cross bar of the frame.
2. Center axle in frame and place each wheel over each end of the axle, then insert axle end into the hole located in the center of the wheel hub.
3. Place each large washer over the axle ends and insert axle through center of washer until washer is flush against wheel hub.
4. Insert straight side of cotter pin into one of the holes located at both ends of the axle rod and thread the cotter pin through the hole until pin snaps into place.
5. Repeat using the second cotter pin on the opposite end of the axle to secure the opposite wheel to the axle assembly.

V-Leg Support Assembly

Perform the following tasks to install the V-leg support bracket:

1. Align V-leg support mounting holes with the mounting holes on the bottom of the frame.
2. Insert one mounting bolt completely through each mounting hole.
3. Twist mounting screws to catch the threads in the frame mounting holes and weld nuts and tighten until support leg is secure.

6000 Watt Generator

Assembly (cont'd)

Handle Assembly

Perform the following tasks to install the handle onto the generator frame:

1. On the side of frame with mounting holes, place back plate in the middle of handle bracket and frame. Handle bracket should have handle mounting holes facing downward.
2. Align frame, back plate and handle bracket mounting holes.
3. Insert one mounting bolt through handle bracket, back plate, frame, and into mounting nut. Twist mounting nut lightly.
4. Insert the second mounting bolt through the second mounting hole. Twist mounting nut until nut, frame, back plate, and handle bracket surfaces are flush.
5. Return to first nut and tighten.
6. Align handle mounting holes with mounting holes on handle bracket.
7. Insert mounting bolt completely through handle and bracket.
8. Install a mounting nut onto bolt and tighten. Make sure handle can swivel.

Owner's Manual

Specifications

Electrical

Current Output	120-240VAC @ 41.6/20.8A, 60Hz 12V DC
Continuous/Rated Wattage	5,000
Peak Wattage	6,000
Outlets	four 120V 20A outlets one 120V 30A twist lock outlet one 120V/240V 30A twist lock outlet one 12V DC outlet

Gasoline Engine

Horsepower	11HP
Type	4-cycle OHV air-cooled recoil start
Displacement	337cc
Oil Capacity	1.16 quart (1.1 liter)
EPA Approved	yes

Fuel

Type	unleaded gasoline
Capacity	5.5 gallons (21 liters)
Running Time	8 hours (approx.)
Fuel Gauge	included

Weight

Approximate Weight	224.4 lbs
--------------------	-----------

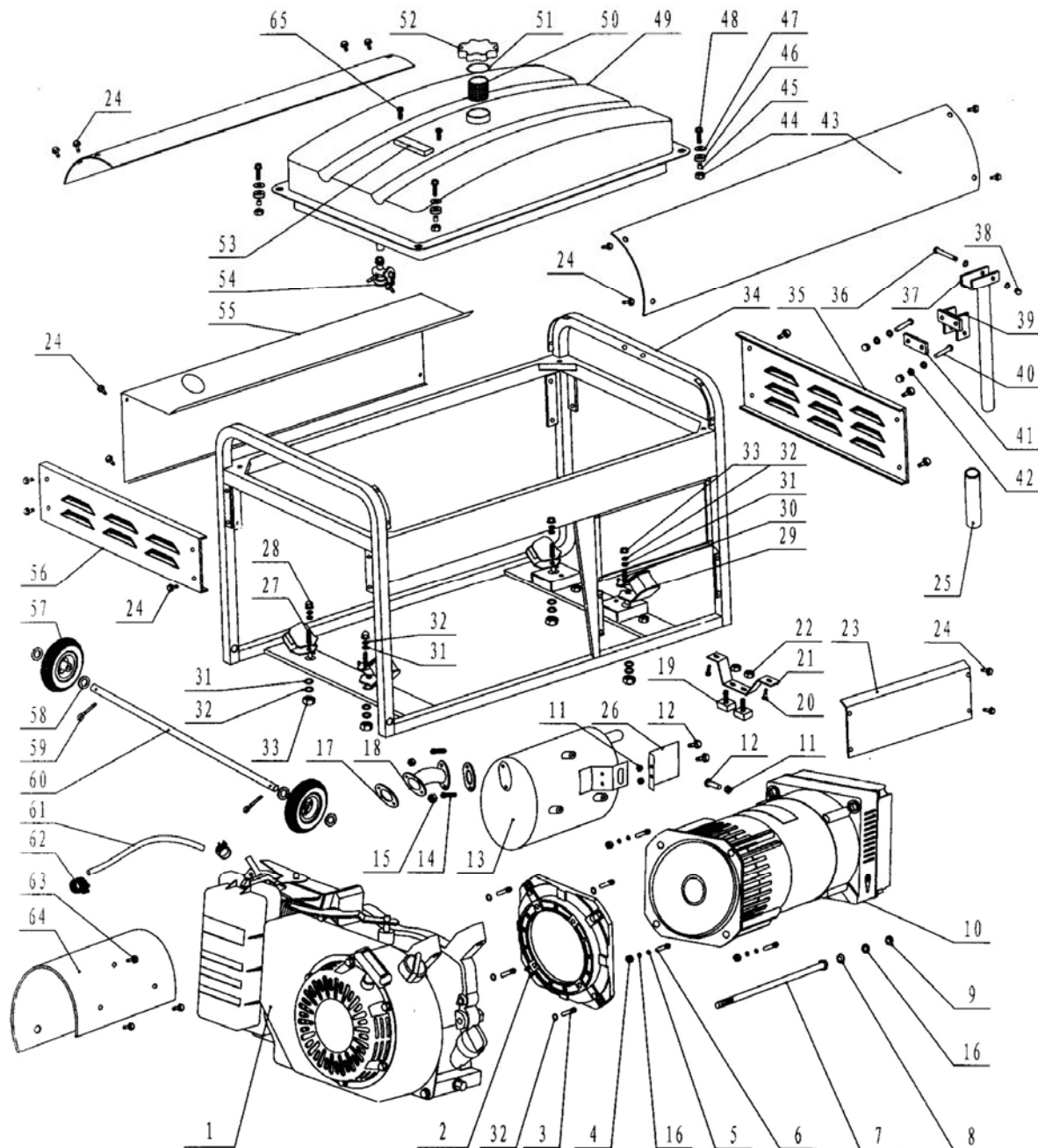
Noise Level

Operating Noise Level	76 dB (approx.)
-----------------------	-----------------

6000 Watt Generator

General Parts Listing

Figure A



This list is provided for reference purposes only. All repairs and part replacement should be performed by a qualified technician. Some parts may not be available as single replacements.

General Parts Listing (cont'd)

Figure A (cont'd)

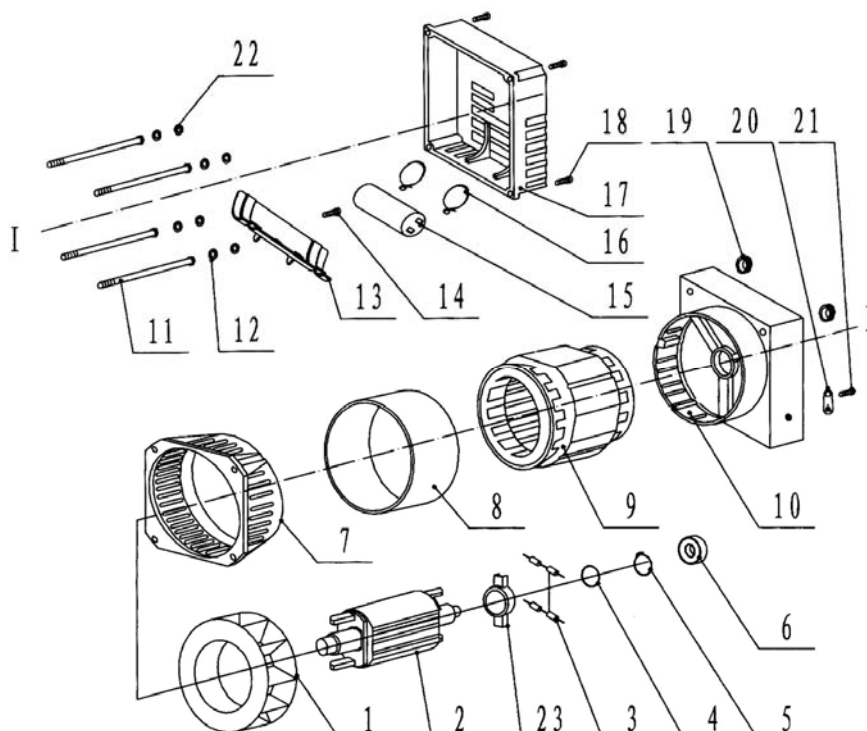
ITEM NO.	DESCRIPTION	PSYCG #	QTY.
A01	ENGINE	PSYCG6000LA01	1
A02	FLANGE	PSYCG6000LA02	1
A03	SOCKET HEAD BOLT M10x25	PSYCG7000EA03	4
A04	HEX NUT M8	PSYCG7000EA04	4
A05	SPRING WASHER Ø8.2xØ16	PSYCG7000EA05	4
A06	SOCKET HEAD BOLT M8x30	PSYCG7000EA06	4
A07	HEX BOLT M8x248	PSYCG6000LA07	1
A08	BOWL WASHER Ø9 x Ø17.5	PSYCG7000EA08	1
A09	SPRING WASHER Ø8.2 x Ø13	PSYCG7000EA16	1
A10	ALTERNATOR	PSYCG6000LA10	1
A11	FLANGED NUT M6	PSYCG7000EA11	3
A12	FLANGED BOLT M6x12	PSYCG7000EA12	3
A13	MUFFLER	PSYCG6000LA13	1
A14	DOUBLE SIDED M8x25 SCREW	PSYCG7000EA14	2
A15	HEX HUT M8x13	PSYCG7000EA15	2
A16	FLAT WASHER Ø8.2 x Ø813	PSYCG7000EA42	8
A17	MUFFLER GASKET	PSYCG7000EA17	2
A18	MUFFLER CONNECT PIPE	PSYCG7000EA18	1
A19	RUBBER PAD	PSYCG7000EA19	2
A20	FLANGED BOLT M8x14	PSYCG7000EA20	2
A21	BOTTOM FOOT	PSYCG6000LA21	1
A22	FLANGED NUT M8	PSYCG7000EA22	2
A23	FRONT COVER	PSYCG6000LA23	1
A24	FLANGED BOLT M5x8	PSYCG7000EA24	24
A25	HANDLE GRIP	PSYCG7000EA71	1
A26	MUFFLER INSULATION BOARD	PSYCG7000EA69	1
A27	HEX BOLT M10x40	PSYCG7000EA67	2
A28	ACORN NUT M610	PSYCG7000EA68	2
A29	ISOLATOR(RUBBER MOUNT)	PSYCG7000EA29	4
A30	HEX BOLT M10x25	PSYCG7000EA30	4
A31	WASHER Ø10.2 x Ø20	PSYCG7000EA31	12
A32	SPRING WASHER Ø10.2 x Ø16	PSYCG7000EA32	8
A33	HEX NUT M10	PSYCG7000EA03	8

ITEM NO.	DESCRIPTION	PSYCG #	QTY.
A34	FRAME	PSYCG6000LA34	1
A35	RIGHT COVER	PSYCG6000LA35	1
A36	SOCKET BOLT M8x55	PSYCG7000EA36	1
A37	HANDLE	PSYCG7000EA37	1
A38	ACORN NUT M8	PSYCG7000EA38	3
A39	HANDLE BRACKET	PSYCG6000LA39	1
A40	HEX SOCKET BOLT M8x50	PSYCG6000LA40	2
A41	BACK PLATE	PSYCG6000LA41	1
A42	FLATE WASHER Ø8.2 x Ø13	PSYCG7000EA42	2
A43	TOP COVER	PSYCG6000LA43	2
A44	NUT FLANGED M6	PSYCG7000EA11	4
A45	BUSHING	PSYCG7000EA45	4
A46	RUBBER GASKET	PSYCG7000EA46	4
A47	WASHER Ø6.6xØ22	PSYCG7000EA47	4
A48	FLANGED BOLT M6x20	PSYCG7000EA48	4
A49	FUEL TANK	PSYCG7000EA49	1
A50	FILTER NET	PSYCG7000EA50	1
A51	FUEL TANK CAP GASKET	PSYCG7000EA51	1
A52	FUEL TANK CAP	PSYCG7000EA52	1
A53	FUEL GAUGE	PSYCG7000EA53	1
A54	FUEL COCK	PSYCG7000EA54	1
A55	BACK COVER	PSYCG6000LA55	1
A56	LEFT COVER	PSYCG6000LA56	1
A57	WHEEL	PSYCG6000LA57	2
A58	WASHER Ø16xØ30	PSYCG6000LA58	4
A59	SPLIT PIN Ø3x25	PSYCG6000LA59	2
A60	AXLE	PSYCG6000LA60	1
A61	FUEL TUBE	PSYCG6000LA61	1
A62	CLAMP	PSYCG7000EA62	2
A63	SMALL FLANGED BOLT M6x8	PSYCG7000EA03	6
A64	MUFFLER COVER	PSYCG7000EA66	1
A65	FLAT SCREW M6x10	PSYCG7000EA72	2

6000 Watt Generator

Generator Parts Listing

Figure B

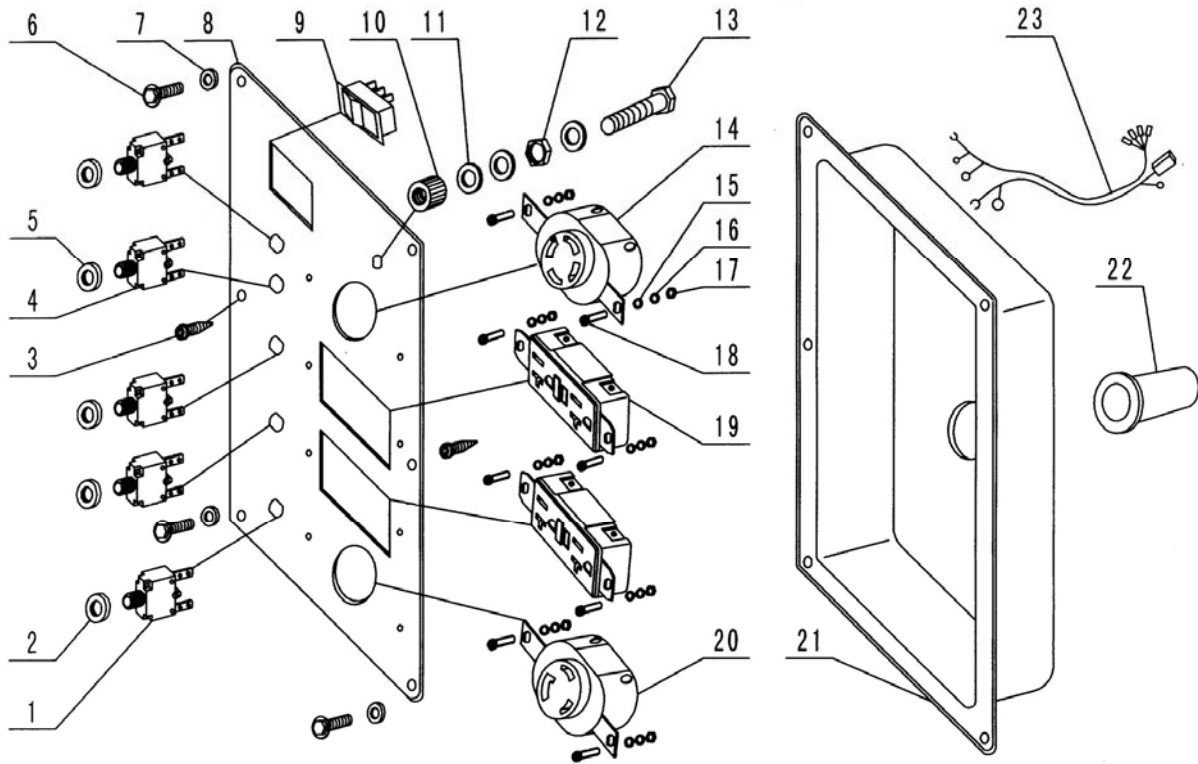


ITEM NO.	DESCRIPTION	PSYCG #	QTY.
B01	COOLING FAN	PSYCG7000EB01	1
B02	ROTOR	PSYCG6000LB02	1
B03	DIODE	PSYCG7000EB03	4
B04	Ø32 WASHER	PSYCG7000EB04	1
B05	Ø32 CLAMP	PSYCG7000EB05	1
B06	BEARING	PSYCG7000EB06	1
B07	DRIVE END BRACKET	PSYCG7000EB07	1
B08	ENCLOSING BAND	PSYCG6000LB08	1
B09	STATOR	PSYCG6000LB09	1
B10	ALTERNATOR BACK COVER	PSYCG7000EB10	1
B11	HEX BOLT M8x210	PSYCG6000LB11	4
B12	WASHER Ø8.2 x Ø16	PSYCG7000EB12	4

ITEM NO.	DESCRIPTION	PSYCG #	QTY.
B13	CAPACITOR SHELF	PSYCG7000EB13	1
B14	OVAL HEAD BOLT M5x8	PSYCG7000EB14	1
B15	CAPACITOR	PSYCG6000LB15	1
B16	CAPACITOR FASTENER	PSYCG7000EB16	2
B17	ALTERNATOR COVER	PSYCG7000EB17	1
B18	OVAL HEAD BOLT M5x12	PSYCG7000EB18	4
B19	RUBBER PAD	PSYCG7000EB29	2
B20	GROUND PLATE	PSYCG7000EB30	1
B21	OVAL HEAD BOLT M5x6	PSYCG7000EB31	1
B22	SPRING WASHER Ø8.2	PSYCG7000EA05	4
B23	DIODE FRAME	PSYCG7000EB28	1

Panel Parts Listing

Figure C



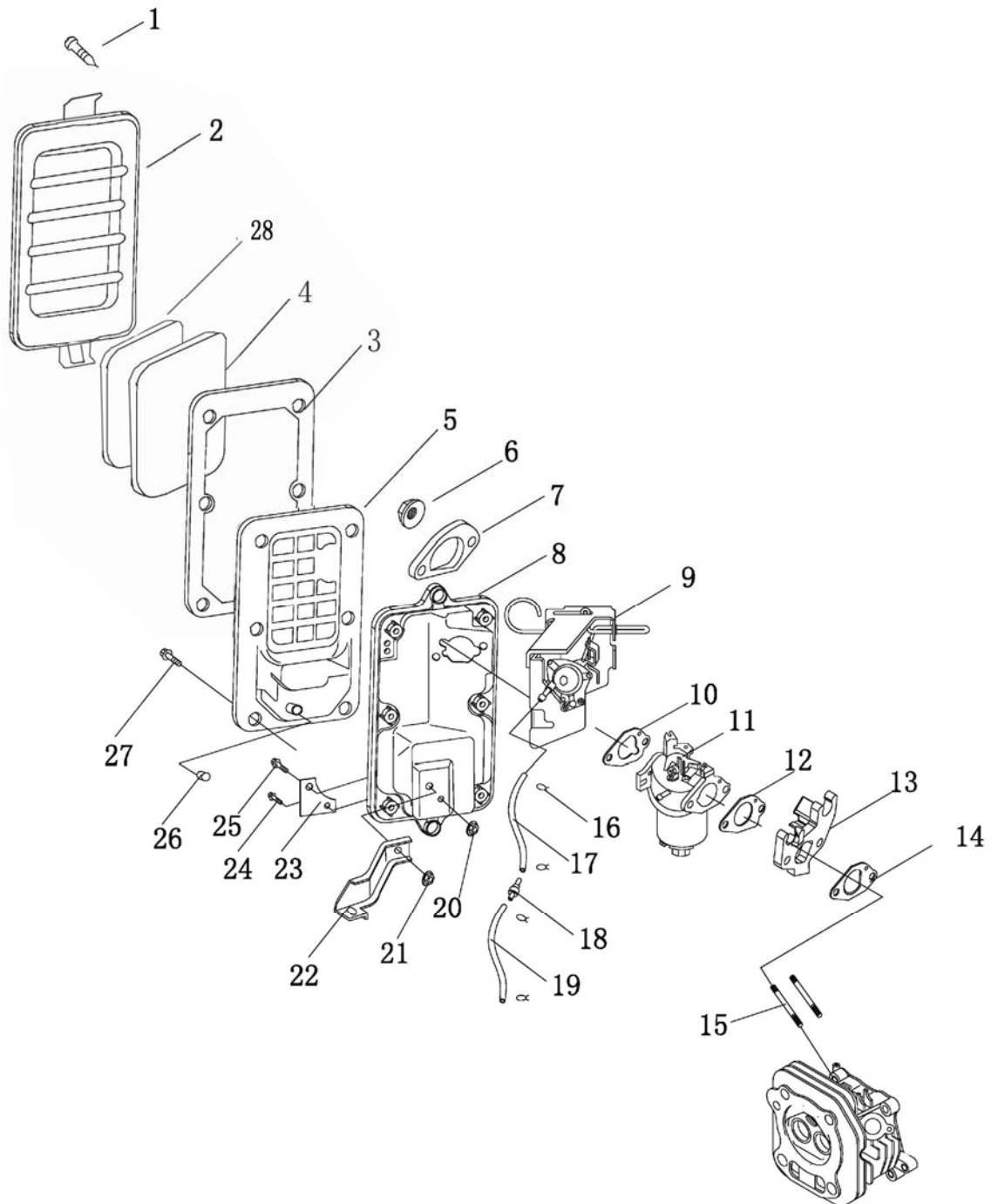
ITEM NO.	DESCRIPTION	PSYCG #	QTY.
C01	CIRCUIT BREAKER 20A WITH NUT	PSYCG7000EC01	3
C02	BREAKER 20A NUT	PSYCG7000EC02	3
C03	OVAL HEAD BOLT ST4x10	PSYCG7000EC05	2
C04	CIRCUIT BREAKER 25A WITH NUT	PSYCG7000EC03	2
C05	BREAKER 25A NUT	PSYCG7000EC04	2
C06	FLANGED BOLT M6x18	PSYCG7000EC10	4
C07	FIBER WASHER Ø6.2 x Ø12	PSYCG7000EC32	4
C08	CONTROL PANEL	PSYCG6000LC08	1
C09	STOP SWITCH	PSYCG6000LC09	1
C10	DECORATIVE CUPREW NUT M8	PSYCG7000EC35	1
C11	CUPREW WASHER Ø8.2 x Ø16	PSYCG7000EC37	3
C12	HEX CUPREW NUT M8	PSYCG7000EC36	1

ITEM NO.	DESCRIPTION	PSYCG #	QTY.
C13	GROUND BOLT M8x20	PSYCG7000EC18	4
C14	4 PRONG SOCKET NEMA L14-30	PSYCG7000EC26	1
C15	WASHER Ø4.2 x Ø10	PSYCG7000EC24	8
C16	SPRINGER WASHER Ø4.2 x Ø6	PSYCG7000EC23	8
C17	HEX NUT M4	PSYCG7000EC22	8
C18	OVAL HEAD SCREW M4x12	PSYCG7000EC25	8
C19	DUPLEX SOCKET NEMA 5-20 GFCI	PSYCG2500LC10	2
C20	3 PRONG SOCKET NEMA L5-30	PSYCG7000EC27	1
C21	CONTROL PANEL BOX	PSYCG7000EC29	1
C22	OUTLET TRAP	PSYCG7000EC30	1
C23	WIRING HARNESS	PSYCG7000EC31	1

6000 Watt Generator

Engine Parts Listing

Figure D



Engine Parts Listing (cont'd)

Figure D (cont'd)

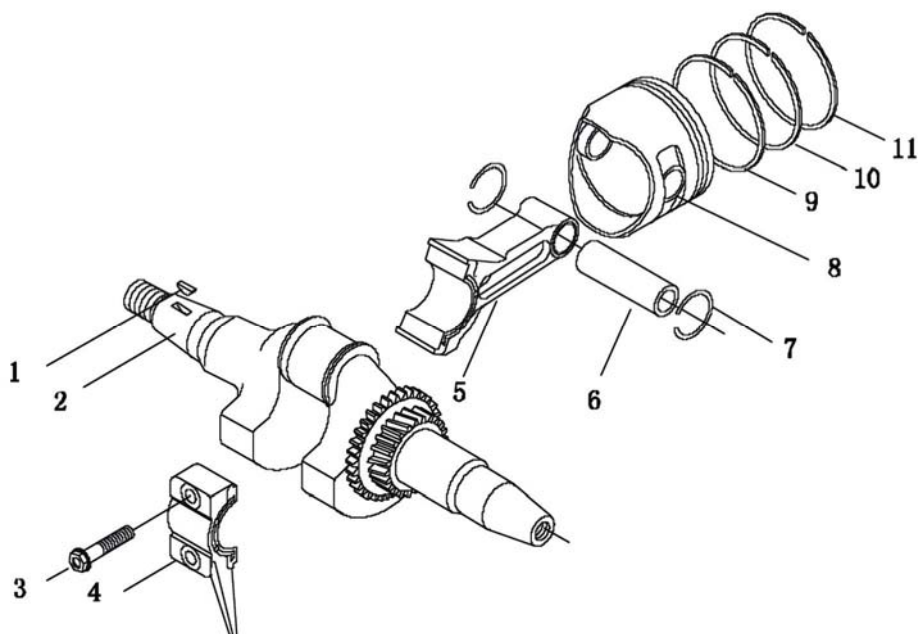
ITEM NO.	DESCRIPTION	PSYCG #	QTY
D01	KNURL HEAD SCREW M5X20mm	PSYCG7000ED01	1
D02	AIR FILTER COVER	PSYCG7000ED02	1
D03	GASKET	PSYCG7000ED03	1
D04	AIR FILTER B	PSYCG7000ED04	1
D05	ELEMENT FITTING PLATE	PSYCG7000ED05	1
D06	M6 FLANGE NUT	PSYCG7000EA11	2
D07	PLATE	PSYCG6000ED07	1
D08	AIR FILTER CASE	PSYCG7000ED08	1
D09	CHOKE AIR VALVE	PSYCG7000ED09	1
D10K	GASKET KIT (Includes D10, 12, 13, 14)	PSYCG7000ED10K	1
D10	INLET GASKET	PSYCG7000ED10	1
D11	CARBURETOR	PSYCG6000ED11	1
D12	CARBURETOR GASKET	PSYCG6000ED12	1
D13	CARBURETOR INSULATOR	PSYCG6000ED13	1
D14	INSULATOR GASKET	PSYCG7000ED14	1

ITEM NO.	DESCRIPTION	PSYCG #	QTY
D15	STUD BOLT M8 XM6x108	PSYCG7000ED15	2
D16	AIR PIPE CLIP	PSYCG7000ED16	4
D17	AIR PIPE A 14cm	PSYCG7000ED17	1
D18	UNILATERAL VALVE	PSYCG7000ED18	1
D19	AIR PIPE B 9cm	PSYCG7000ED19	1
D20	M5 FLANGED NUT	PSYCG7000ED20	6
D21	M6 FLANGED NUT	PSYCG7000EA11	1
D22	BRACKET	PSYCG7000ED22	1
D23	GASKET	PSYCG7000ED23	1
D24	PAN HEAD SCREW M5X15	PSYCG7000ED24	1
D25	PAN HEAD SCREW M6X15	PSYCG7000ED25	1
D26	AIR FILTER C	PSYCG7000ED26	1
D27	PAN HEAD SCREW M5X15	PSYCG7000ED24	6
D28	AIR FILTER A	PSYCG7000ED28	1

6000 Watt Generator

Engine Parts Listing (cont'd)

Figure E

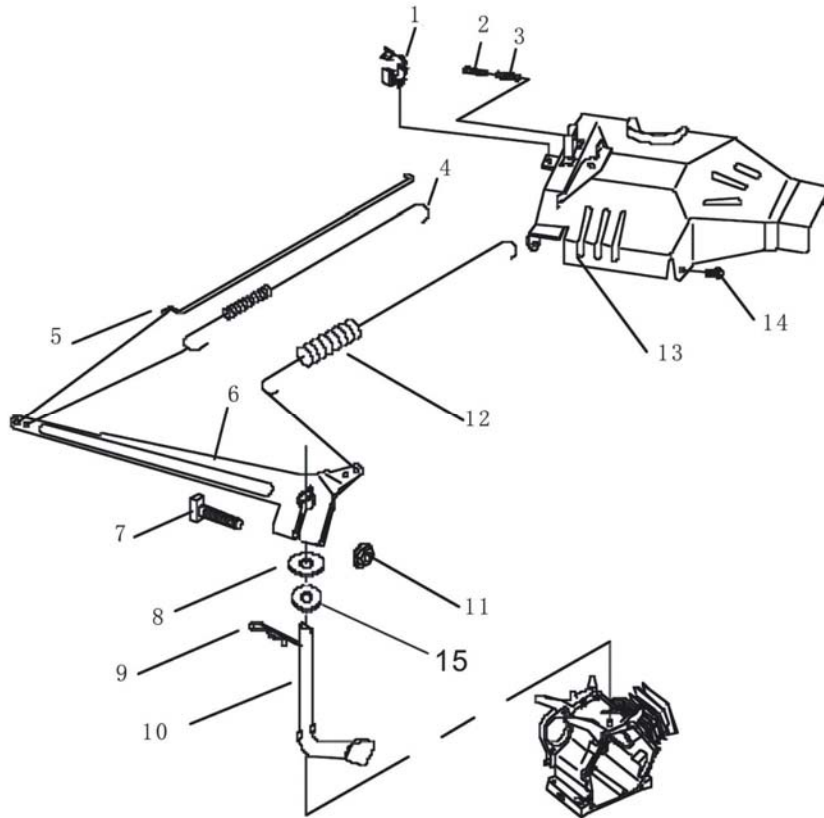


ITEM NO.	DESCRIPTION	PSYCG #	QTY
E01	KEY 4 x 13	PSYCG7000EE01	1
E02	CRANK	PSYCG7000EE02	1
E03	FLANGED BOLT M8 x38	PSYCG7000EE03	2
E04	CONNECTING ROD CAP	PSYCG7000EE04	1
E05	CONNECTING ROD	PSYCG7000EE05	1
E06	PISTON PIN	PSYCG7000EE06	1

ITEM NO.	DESCRIPTION	PSYCG #	QTY
E07	PISTON PIN CIRCLIP	PSYCG7000EE07	2
E08	PISTON	PSYCG6000EE08	1
E09K	RING KIT (E9, 10, 11)	PSYCG6000EE09K	1
E09	OIL RING	PSYCG6000EE09	1
E10	2ND COMPRESSION RING	PSYCG6000EE10	1
E11	1ST COMPRESSION RING	PSYCG6000EE11	1

Engine Parts Listing (cont'd)

Figure F



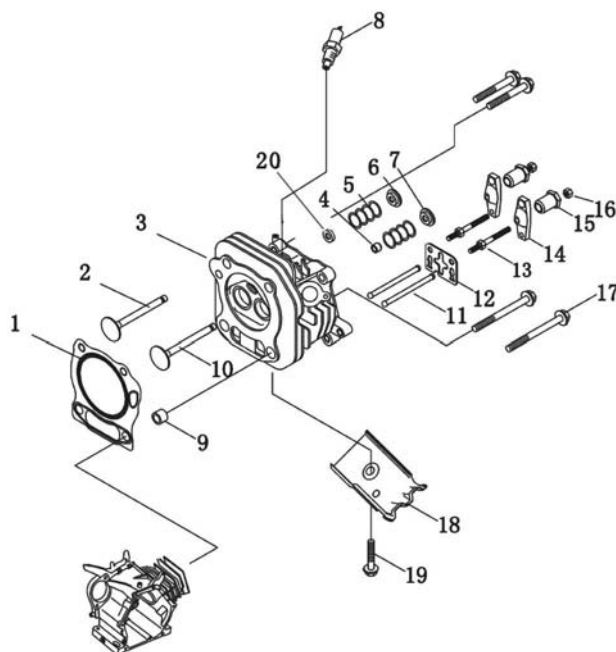
ITEM NO.	DESCRIPTION	PSYCG #	QTY
F01	CLAMP	PSYCG7000EF01	1
F02	PAN HEAD SCREW M5 X35	PSYCG7000EF02	1
F03	SPRING	PSYCG7000EF03	1
F04	REGULATING SPRING	PSYCG7000EF04	1
F05	LINK ROD	PSYCG7000EF05	1
F06	GOVERNOR ARM	PSYCG7000EF06	1
F07	SQUARE HEAD BOLT M6	PSYCG7000EF07	1
F08	WASHER Ø8.2 Xø16	PSYCG7000EF08	1

ITEM NO.	DESCRIPTION	PSYCG #	QTY
F09	GOVERNOR SHAFT CLIP	PSYCG7000EF09	1
F10	GOVERNOR SHAFT	PSYCG7000EF10	1
F11	FLANGED NUT M6	PSYCG7000EA11	1
F12	BACK SPRING	PSYCG7000EF12	1
F13	AIR FLOW COVER	PSYCG7000EF13	1
F14	FLANGED BOLT M6 x 12	PSYCG7000EF14	3
F15	OIL SEAL GOVERNOR SHAFT	PSYCG7000EF15	1

6000 Watt Generator

Engine Parts Listing (cont'd)

Figure G

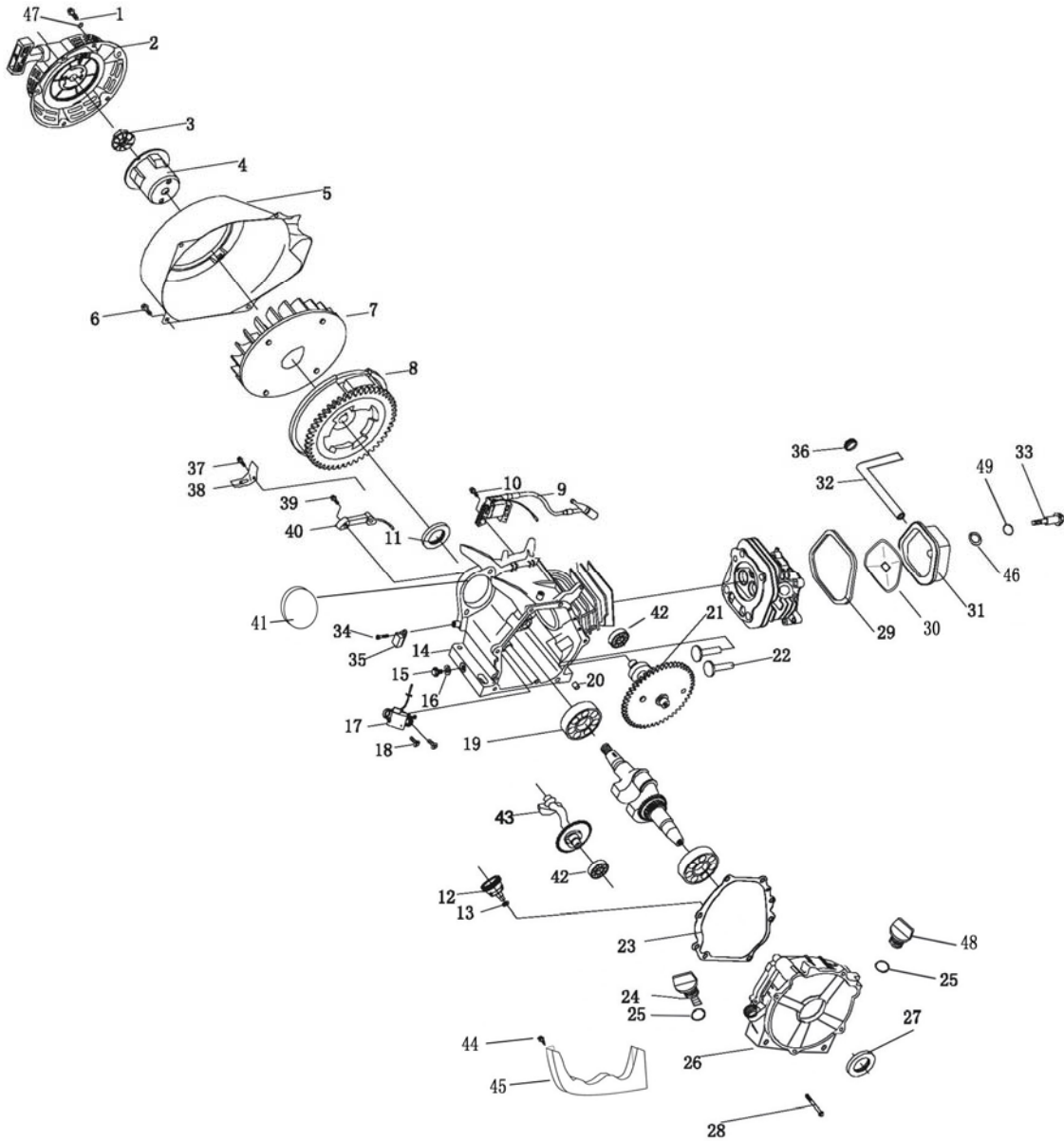


ITEM NO.	DESCRIPTION	PSYCG #	QTY
G01	CYLINDER HEAD GASKET	PSYCG6000EG01	1
G02	INTAKE VALVE	PSYCG7000EG02	1
G03	CYLINDER HEAD	PSYCG7000EG03	1
G04	EXHAUST VALVE BUSHING	PSYCG7000EG04	1
G05	VALVE SPRING	PSYCG7000EG05	2
G06	INTAKE VALVE RETAINER	PSYCG7000EG06	1
G07	EXHAUST VALVE ETAINER	PSYCG7000EG07	1
G08	SPARK PLUG	PSYCG7000EG08	1
G09	LOCATING RING	PSYCG7000EG09	2
G10	EXHAUST VALVE	PSYCG7000EG10	1

ITEM NO.	DESCRIPTION	PSYCG #	QTY
G11	PUSH ROD	PSYCG7000EG11	2
G12	PUSH ROD GUIDE	PSYCG7000EG12	1
G13	ROCKER SCREW	PSYCG7000EG13	2
G14	VALVE ROCKER ARM	PSYCG7000EG14	2
G15	ADJUSTER	PSYCG7000EG15	2
G16	M6 x0.75 NUT	PSYCG7000EG16	2
G17	FLANGED BOLT 10x1.25x80-8.8	PSYCG7000EG17	4
G18	AIR FLOW GUIDE	PSYCG7000EG18	1
G19	FLANGED BOLT M6 x12	PSYCG7000EF14	1
G20	OIL SEAL INTAKE	PSYCG7000EG20	1

Engine Parts Listing (cont'd)

Figure H



6000 Watt Generator

Engine Parts Listing (cont'd)

Figure H (cont'd)

ITEM NO.	DESCRIPTION	PSYCG #	QTY.
H01K	PULL START ASSEMBLY (H01-04)	PSYCG7000EH01K	1
H01	FLANGED BOLT M6 x 18	PSYCG7000EH01	3
H02	RECOIL STARTER	PSYCG7000EH02	1
H03	HEX NUT M16 x 1.5	PSYCG7000EH03	1
H04	STARTER PULLEY	PSYCG7000EH04	1
H05	FAN COVER	PSYCG7000EH05	1
H06	FLANGED BOLT M6 x 12	PSYCG7000EH06	4
H07	FLYWHEEL FAN	PSYCG7000EH07	1
H08	FLYWHEEL	PSYCG6000EH08	1
H09	IGNITION COIL	PSYCG7000EH09	1
H10	BOLT M6 x25	PSYCG7000EH10	2
H11	OIL SEAL Ø52 x Ø35 x 8	PSYCG7000EH11	1
H12	SPEED REGULATING WHEEL	PSYCG7000EH12	1
H13	FLAT WASHER Ø8.2 x Ø13	PSYCG7000EA42	1
H14	CRANKCASE	PSYCG6000EH14	1
H15	FLANGED BOLT M12 x 16	PSYCG7000EH15	1
H16	WASHER Ø 17	PSYCG7000EH16	1
H17	OIL SENSOR	PSYCG7000EH17	1
H18	FLANGED BOLT M6 x 12	PSYCG7000EF14	2
H19	CRANK CASE BEARING 6207	PSYCG7000EH19	2
H20	LOCATING RING	PSYCG7000EH20	2
H21	CAMSHAFT	PSYCG6000EH21	1
H22	VALVE LIFTER	PSYCG7000EH22	2
H23K	GEAR CASE SEAL KIT (Includes H23 & 27)	PSYCG7000EH23K	1
H23	CRANK CASE GASKET	PSYCG7000EH23	1
H24	OIL LEVEL PLUG	PSYCG7000EH24	1

ITEM NO.	DESCRIPTION	PSYCG #	QTY
H25	RING SEAL	PSYCG7000EH25	2
H26	CRANKCASE COVER	PSYCG7000EH26	1
H27	OIL SEAL Ø52 x Ø35 x 8	PSYCG7000EH27	1
H28	FLANGED BOLT M8 x 40	PSYCG7000EH28	7
H29	CYLINDER HEAD GASKET	PSYCG7000EH29	1
H30	INSIDE SHEILD	PSYCG7000EH30	1
H31	CYLINDER HEAD COVER	PSYCG7000EH31	1
H32	GAS PIPE	PSYCG7000EH32	1
H33	HEAD COVER BOLT M6 x 60	PSYCG7000EH33	1
H34	FLANGED BOLT M6 x 12	PSYCG7000EF14	1
H35	II DA	PSYCG7000EH35	1
H36	RUBBER BAND	PSYCG7000EH36	1
H37	FLANGED BOLT M6 x 12	PSYCG7000EF14	1
H38	BRACKET	PSYCG7000EH38	1
H39	FLANGED BOLT M6 x 25	PSYCG7000EH39	2
H40	ELECTRIC MAGNET	PSYCG7000EH40	1
H41	ENGINE HOLE COVER	PSYCG7000EH41	3
H42	BEARING 6202	PSYCG7000EH42	2
H43	BALANCER SHAFT	PSYCG7000EH43	1
H44	FLANGED BOLT M6 x 12	PSYCG7000EF14	3
H45	AIR FLOW GUIDE	PSYCG7000EH45	1
H46	CYLINDER HEAD RUBBER WASHER	PSYCG7000EH46	1
H47	WASHER Ø6 x Ø10	PSYCG7000EH47	1
H48	OIL CAP	PSYCG7000EH48	1
H49	HEAD COVER WASHER	PSYCG7000EH49	1

Installation



Note: Prior to powering tools and equipment, make sure the generator's rated voltage, wattage, and amperage capacity (120-240VAC @ 41.6/20.8AMPs) is adequate to supply all electrical loads that the unit will power. If powering exceeds the generator's capacity, it may be necessary to group one or more of the tools and/or equipment for connection to a separate generator.

Electrical and other permits may be required for the installation of emergency power systems. Investigate your local building and electrical codes before installing this unit. Installation must be completed by licensed contractors.



WARNING! THE GENERATOR WEIGHS APPROXIMATELY 225 POUNDS. USE CARE WHEN LIFTING. ENSURE USE OF THE PROPER HOISTING OR LIFTING EQUIPMENT WHEN MOVING IT TO THE INSTALLATION LOCATION. ALWAYS CONNECT LIFTING LINES TO THE FRAME OF THE GENERATOR.

General Location

- Make sure to locate and install the generator outdoors where air for cooling is readily available.
- Install the generator so that the air inlets and outlets are not blocked by obstructions such as bushes, trees, or snow drifts. Locating it in the path of heavy winds or snowdrifts may require the placement behind a barrier for protection. In normal weather conditions, the air vent should face the prevailing wind direction.
- Install the generator on a raised concrete slab or other area where rain drainage or flood waters cannot reach it.
- Consider maintenance requirements when installing. Generator placement should allow for four feet of access to all sides of the unit for maintenance purposes.
- Place the generator as close as possible to the electrical tools and equipment being powered to limit the need for and reduce the length of extension cords.
- If the generator is located indoors, the engine exhaust must be ventilated to the outdoors using leak-proof, heat resistant, and flexible tubing.

6000 Watt Generator

Installation (cont'd)

Support and Mounting

Mount the generator on a concrete slab capable of supporting the weight of the generator and any accessories. The slab must extend beyond all sides of the frame by at least one foot. Contact a cement contractor for slab specifications if necessary. Attach the frame to the concrete slab using $\frac{3}{8}$ inch diameter expansion anchor bolts (not supplied).

Grounding



Note: It is recommended that only a trained and licensed electrician perform this procedure.

Connect a #6 AWG grounding wire (not included) from the ground connector on the generator (C18 on the control panel) to a grounding rod (not included) that has been driven at least 24 inches deep into the earth. The grounding rod must be an earth-driven copper or brass rod (electrode) which can adequately ground the generator.

Operation



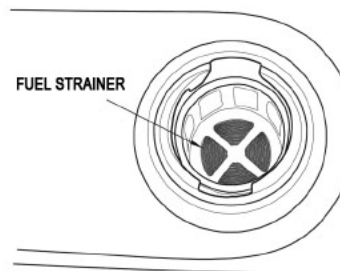
Note: The parts listings above are helpful for locating the controls mentioned below.



CAUTION: PRIOR TO USING THE GENERATOR SET FOR THE FIRST TIME, THE ENGINE MUST BE FILLED WITH APPROXIMATELY $\frac{3}{4}$ QUART OF A HIGH QUALITY SAE 10W-30 GRADE ENGINE OIL. TO DO SO, UNSCREW AND REMOVE THE ENGINE'S OIL LEVEL PLUG (DIPSTICK) LOCATED AT THE BOTTOM OF THE ENGINE CRANKCASE. FILL THE ENGINE'S CRANKCASE UNTIL THE OIL LEVEL READING IS AT THE UPPER MARKED LINE ON THE OIL LEVEL PLUG. DO NOT OVERFILL OIL. TO FINISH, SCREW THE OIL LEVEL PLUG BACK INTO THE OIL FILL HOLE.

Before Starting the Generator

1. Check that the engine power switch on the control panel is in its "OFF" position.
2. Before the first use, remove the fuel tank cap and fill the fuel tank with unleaded gasoline. When fueling, be sure that the fuel strainer is in place. Replace the fuel tank cap and check the engine's fuel gauge for the amount of unleaded gasoline in the fuel tank. If necessary, refill the fuel tank with unleaded gasoline. The generator must be turned off and cooled down before refilling the fuel tank.
3. Before each use, check oil and fill if needed.

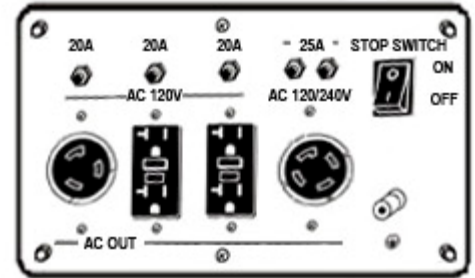


6000 Watt Generator

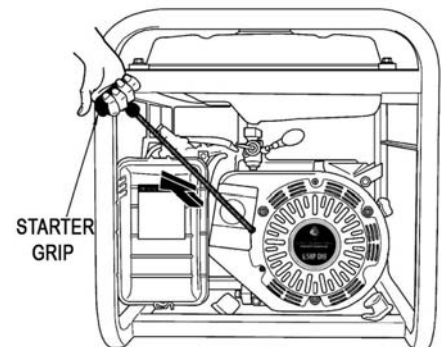
Operation (cont'd)

Starting

1. Make sure that all tools and equipment to be powered by the generator are not plugged into the unit while the engine is started.
2. Turn the Stop Switch on the control panel to its "ON" position.
3. Open the fuel valve by turning lever to the "ON" position.
4. Close the choke lever by moving it left to the "START" position (about 1/8 inch clearance).



5. Hold the start handle loosely and pull it slowly several times to allow the gasoline to flow into the engine's carburetor. Then hold the start handle firmly and pull the rope hard and fast. Pull the rope all the way out using two hands if needed. If necessary, repeat several times until the engine starts.
6. Allow the engine to run for several seconds. Then, open choke all the way.



Operation (cont'd)

Powering 120 Volt AC Tools and Equipment:

1. Prior to connecting tools and equipment, make sure the generator's rated voltage, and amperage capacity (120-240VAC @ 41.6/20.8AMPs) is adequate to supply all electrical loads that the unit will power. If powering exceeds the generator's capacity, it may be necessary to group one or more of the tools and/or equipment for connection to a separate generator.



CAUTION: ATTEMPTING TO POWER SENSITIVE ELECTRONIC EQUIPMENT WITHOUT THE USE OF AN APPROVED LINE CONDITIONER MAY CAUSE DAMAGE TO THE EQUIPMENT. SYCAMORE SCS IS NOT RESPONSIBLE FOR ANY DIRECT OR INDIRECT DAMAGE CAUSED BY FAILURE TO USE AN APPROVED LINE CONDITIONER.

2. Once the generator is running, simply connect the power cords of 110/120 volt AC powered tools and equipment into the 110/120 volt AC dual outlets.



Note: The generator features an AC Non-Fuse Circuit Breaker to protect the AC circuit in case of an overload. Should an overload occur, the breaker will "trip" to its off position causing the generator to automatically shut down. In this case, refer to Step #1 above in this section. Then, reset the circuitry system by turning the circuit breaker to its on position. Restart the generator and continue powering the remaining tools and equipment.

3. When finished using the generator, turn the start switch to its "STOP" position. Turn the fuel valve to its "OFF" position.
4. Disconnect all electrical powered tools and equipment from the generator's 110/120 volt AC dual outlets.
5. After the engine and generator have completely cooled, store generator in a safe, clean, and dry location (if not already installed).

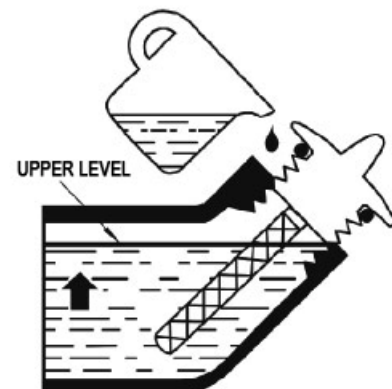
6000 Watt Generator

Inspection, Cleaning, and Maintenance



WARNING! ALWAYS MAKE SURE THE GENERATOR POWER SWITCH IS IN ITS "STOP" POSITION. DISCONNECT THE SPARK PLUG WIRE FROM THE ENGINE AND ALLOW SUFFICIENT TIME FOR THE ENGINE AND GENERATOR TO COMPLETELY COOL BEFORE PERFORMING ANY INSPECTIONS, MAINTENANCE, OR CLEANING.

- Before each use, inspect the generator. Check for:
 - Loose screws
 - Misaligned or binding moving parts
 - Cracked or broken parts
 - Damaged electrical wiring, or
 - Any other condition that may affect safe operation.
- If an engine problem occurs, have it checked by a qualified service technician before further use. Do not use damaged equipment.
- Before each use, make sure the engine's oil and gas levels are adequate. If necessary, fill the crankcase until the oil level is even with the oil fill hole or at the upper level on the oil level cap. Also fill the gas tank with gas until the fuel gauge shows full.
- Before each use, remove all debris with a soft brush, rag, or vacuum.
- Lubricate all moving parts using premium quality and lightweight machine oil.
- Every 20 hours of use, drain old engine oil and replace with approximately $\frac{3}{4}$ quart of high quality SAE 10W-30 grade engine oil. **DO NOT OVERFILL OIL.**
- Every 300 hours of use, have a qualified and certified technician perform thorough maintenance on the generator and engine.
- For long term storage, either drain fuel into a suitable container or add a fuel preservative/stabilizer (not included) to prevent fuel breakdown.

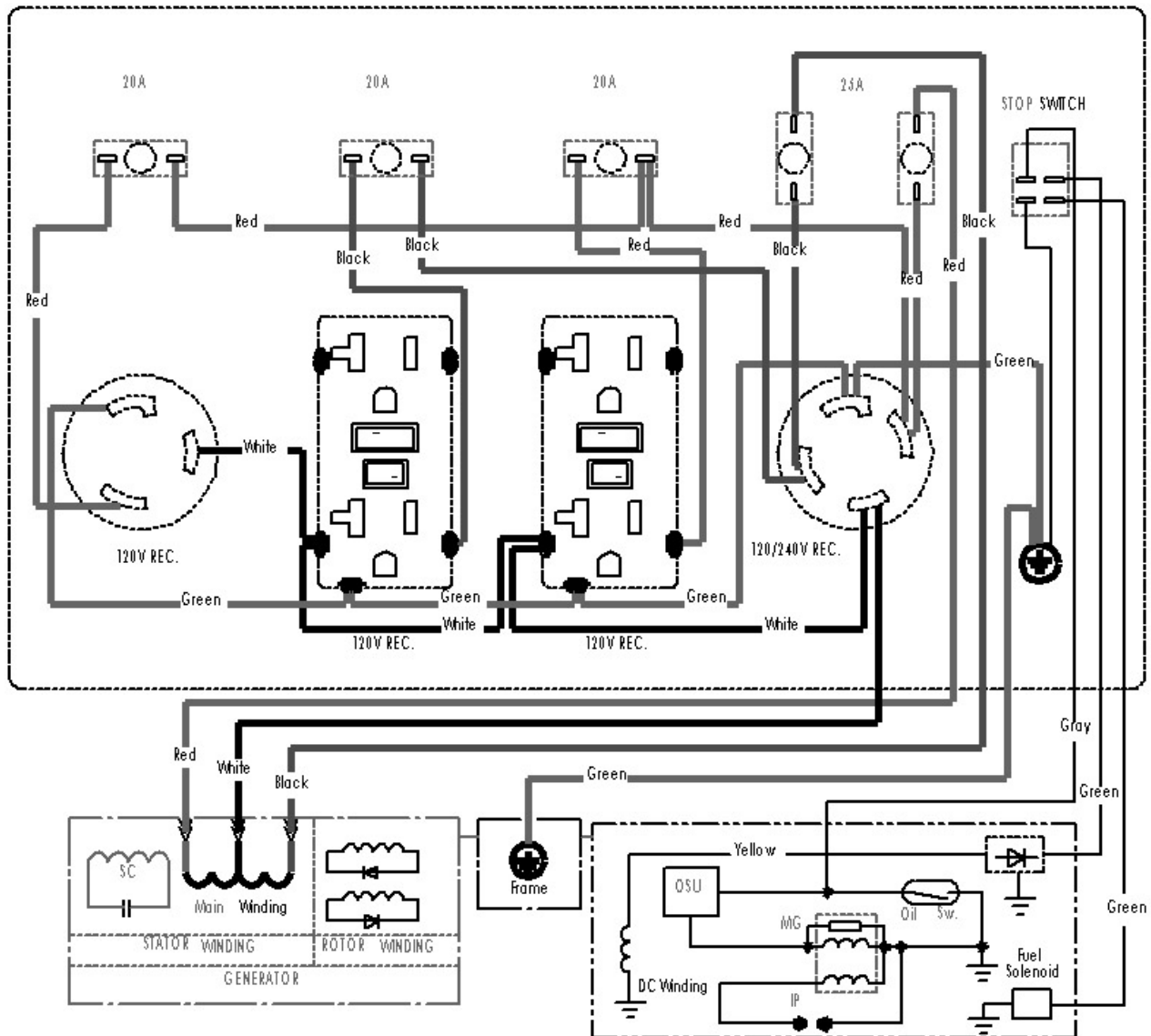


Trouble Shooting

Problem	Cause	Solution
Engine will not start or runs rough when started.	<ol style="list-style-type: none">1. Generator switch set to "STOP".2. Fuel valve is in the "OFF" position.3. Dirty air cleaner.4. Out of gasoline.5. Bad gasoline.6. Loose or disconnected spark plug wire.7. Bad spark plug.8. Water in gasoline.9. Over choking.10. Low oil level.11. Excessive rich fuel mixture.12. Intake valve stuck open or closed.13. No compression.	<ol style="list-style-type: none">1. Set switch to "RUN".2. Turn fuel valve to the "ON" position.3. Clean or replace air cleaner.4. Fill fuel tank.5. Drain gas tank and fill with fresh fuel.6. Connect wire to spark plug.7. Replace spark plug.8. Drain gas tank; fill with fresh fuel.9. Close choke. Set to "START" position.10. Fill crankcase to proper level.11. Contact your local service dealer.12. Contact your local service dealer.13. Contact your local service dealer.
Engine is running but No AC output.	<ol style="list-style-type: none">1. Circuit breaker open.2. Connected device is faulty.3. The capacitor or the diode is damaged.	<ol style="list-style-type: none">1. Reset circuit breaker.2. Connect a device in good condition.3. Change the capacitor or diode.
Engine runs but gets bogged down when loads are connected.	<ol style="list-style-type: none">1. Electrical short is present.2. Generator is overloaded.3. Engine speed too low.4. Generator circuit shorted.	<ol style="list-style-type: none">1. Disconnect shorted electrical load.2. Refer to "Operation" section.3. Contact your local service dealer.4. Contact your local service dealer.
Engine lacks power.	<ol style="list-style-type: none">1. Load is too high.2. Dirty air filter.3. Engine needs to be serviced.	<ol style="list-style-type: none">1. See "Operation" section.2. Replace air filter.3. Contact your local service dealer.
Engine shuts down during operation.	<ol style="list-style-type: none">1. Out of gasoline.2. Problem with engine.	<ol style="list-style-type: none">1. Fill fuel tank.2. Contact your local service dealer.
Engine hunts or surges.	<ol style="list-style-type: none">1. Choke is opened too soon.2. Carburetor is running too rich or too lean.	<ol style="list-style-type: none">1. Move choke to halfway position till engine runs smoothly.2. Contact your local service dealer.

6000 Watt Generator

Wiring Diagram



Compliance

UNITED STATES ENVIRONMENTAL PROTECTION AGENCY, WASHINGTON, DC 20460

2005 Model Year Certificate of Conformity

- Manufacturer: Ningde CUE Electrical and Machinery CO., LTD.
- Certificate Number: CUE -NRSI-05-02
- Effective Date: 3/10/2005
- Date Issued: 3/10/2005

Merrylin Zaw-Mon, Director, Certification and Compliance Division, Office of Transportation and Air Quality.

Pursuant to Section 213 of Clean Air Act (42 U.S.C. section 7547) and 40 CFR 90, and subject to the terms and conditions prescribed in those provisions, this certificate of conformity is hereby issued for the following small non-road engine family, more fully described in the documentation required by 40 CFR 90 and produced in the stated model year.

This certificate of conformity covers only those new small non-road engines which conform in all material respects to the design specifications described in the documentation required by 40 CFR 90 and which are produced during the model year stated on this certificate. This certificate of conformity does not cover small non-road engines imported prior to the effective date of the certificate.

This certificate of conformity is conditional upon compliance of said manufacturer with the averaging, banking, and trading provisions of 40 CFR Part 90, Subpart C both during and after model year production. Failure to comply with these provisions may render this certificate void *ab initio*. The HC +NOX family emission limit (FEL) is: g/k W-hr.

It is a term of this certificate that the manufacturer shall consent to all inspections described in 40 CFR 90.126 and 90.506 and authorized in a warrant or court order. Failure to comply with the requirements of such a warrant or court order may lead to revocation or suspension of this certificate for reasons specified in 40 CFR 90. It is also a term of this certificate that this certificate may be revoked or suspended or rendered void *ab initio* for other reasons specified in 40 CFR 90.

This certificate does not cover small non-road engines sold, offered for sale, introduced, or delivered for introduction into commerce in the U.S. prior to the effective date of the certificate.

6000 Watt Generator

Limited Warranty

SYCAMORE SCS warrants to the original purchaser who uses the product in a consumer application (personal, residential or household usage) that all products covered under this warranty are free from defects in material and workmanship for two years from the date of purchase. All products covered by this limited warranty which are used in commercial applications (that is, income producing applications) are warranted to be free of defects in material and workmanship for 90 days from the date of original purchase. Products covered under this warranty include air compressors, air tools, service parts, pressure washers, and generators.

SYCAMORE SCS will repair or replace, at SYCAMORE SCS's sole option, products or components which have failed within the warranty period. Service will be scheduled according to the normal work flow and business hours at the service center location and the availability of replacement parts. All decisions of SYCAMORE SCS with regard to this limited warranty shall be final.

This warranty gives you specific legal rights and you may also have other rights which vary from state to state.

RESPONSIBILITY OF ORIGINAL PURCHASER (initial user):

- To process a warranty claim on this product, DO NOT return item to the retailer. The product must be evaluated by an Authorized Warranty Service Center. For the location of the nearest Authorized Warranty Service Center contact SYCAMORE SCS at 1-800-801-2051.
- Retain original cash register sales receipt as proof of purchase for warranty work. Purchaser must complete the product registration form and return to SYCAMORE SCS with proof of purchase within 90 days of purchase.
- Use reasonable care in the operation and maintenance of the product as described in the Owner's Manual(s).
- Deliver or ship the product to the nearest Authorized Warranty Service Center. Freight costs, if any, must be paid by the purchaser.
- If the purchaser does not receive satisfactory results from the Authorized Warranty Service Center, the purchaser should contact SYCAMORE SCS.

Limited Warranty (cont'd)

THIS WARRANTY DOES NOT COVER:

- Merchandise sold as reconditioned, used as rental equipment, or used as floor or display models.
- Merchandise that has become damaged or inoperative because of ordinary wear or misuse; exposure to cold, heat, rain, or excessive humidity; use of improper chemicals, negligence, accidents, or failure to operate the product in accordance with the instructions provided in the Owners Manual(s) supplied with the product; improper maintenance; the use of accessories or attachments not recommended by SYCAMORE SCS; unauthorized repair or alterations.
- Repair and transportation costs of merchandise determined not to be defective.
- Costs associated with assembly, required oil, adjustments, or other installation and start-up costs.
- Expendable parts or accessories supplied with the product which are expected to become inoperative or unusable after a reasonable period of use.
- Merchandise sold by SYCAMORE SCS which has been manufactured by and identified as the product of another company, such as gasoline engines. The product manufacturer's warranty, if any, will apply.

6000 Watt Generator

Limited Warranty (cont'd)

- ANY INCIDENTAL, INDIRECT OR CONSEQUENTIAL LOSS, DAMAGE, OR EXPENSE THAT MAY RESULT FROM ANY DEFECTS, FAILURE OR MALFUNCTION OF THE PRODUCT IS NOT COVERED BY THIS WARRANTY. SOME STATES DO NOT ALLOW THIS EXCLUSION, SO IT MAY NOT APPLY TO YOU.
- IMPLIED WARRANTIES, INCLUDING THOSE OF MERCHANTABILITY OR FITNESS FOR A PARTICULAR PURPOSE, ARE LIMITED TO ONE YEAR FROM THE DATE OF ORIGINAL PURCHASE. SOME STATES DO NOT ALLOW LIMITATIONS ON HOW LONG AN IMPLIED WARRANTY LASTS, SO THE ABOVE LIMITATIONS MAY NOT APPLY TO YOU.

SYCAMORE SCS, LLC

12540 Westport Rd. Ste. 2
Louisville, KY 40245
Ph (800) 801-2051 (502) 292-4850