

Operating Instruction Manual

for “CH-LLDXXX-XX/XXX-G-J-III- C-B02”

- Thanks for using our products.
- Read the Operation Manual carefully before using the product.

1. Summary

1.1 Product Features:

- ◆ High power LED Street Light
- ◆ Energy-saving、
- ◆ Green & eco-friendly
- ◆ Long life-span

1.2 Applications:

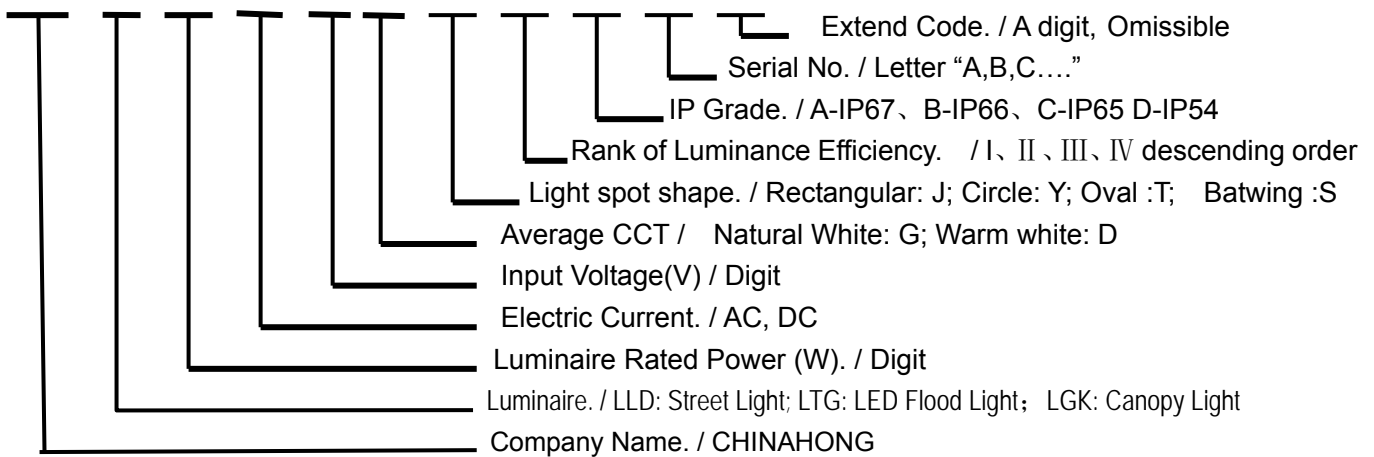
- ◆ Roads, Plazas, Outdoor Leisure Places, Parks, Schools, and courtyard

1.3 Operation Temp.:

- ◆ -30°C ~ 50°C

1.4 Model No. Formulation:

CH - X X - X / X- X- X- X - X - X X



1.5 Certificates:

- ◆ UL Approved No. E343102
- ◆ CE Approved No. ATE20102095
- ◆ ISO9001 Cert No.: 04110O20110ROS
- ◆ ISO14001 Cert No.: 04110E20037ROS

1.6 Standards:

- ◆ CIE140:2000 Road Lighting Calculations
- ◆ CIE121:1996 Photometry and Goniophotometry of Luminaires
- ◆ IEC 60598-2-3:2002 Particular Requirement Luminaires for Road and Street Lighting
- ◆ IEC 60598-1:2003 General Requirement and Tests

2. Product Structure Characteristics:

Waterproof, heat shunt Structure, which ensures LED Module works under a safe and reliable environment, furthermore, this helps to reduce light degradation and improve LED Lifespan. The structure also features a

reflector of light distribution principle, improvement of light distribution, extending of lighting scope and better visual effect.

3. Technical Data Sheet

3.1 Parameters:

S/N	Specifications			
1	Solar Power	Input Volt/Current	□DC24 □DC12	
		Rated Power	□24 □36 □48 □60 □72 □96 □120	
	Power Supply Series	Power Supply	Input Volt/Current	220V~□0.32A □0.43A □0.53A
			Rated Power	□60W □80W □100W
		Output/Constant Current	DC30-36V □3.8A □4.5A □5.2A	
		Input Frequency	50/60HZ	
		Conversion Efficiency	90%	
		Power Factor	0.92	
		2	CCT	
3	Luminou Flux	□ 24W	>1700lm	
		□ 36W	>2500 lm	
		□ 48W	>3400 lm	
		□ 60W	>4300 lm	
		□ 72W	>5100 lm	
		□ 80W	>5700 lm	
		□ 96W	>6900 lm	
		□ 100W	>7200 lm	
		□ 120W	>8400 lm	
4	Operating Temp.		-30~50℃	
5	Anti-wind Capability		≥188 km/h	
6	IP Grade		IP65	
7	Installation elevation		10~15 degrees	
8	Bolts Torque		< 46 Nm	
9	Tempered Glass Cover		311 230.5*34mm (material:SiO2)	
10	Maximum Temperature of Heat Sink		58℃	
11	Overall dimension		608 * 312 * 166 mm	
12	Net Weight		13.7 kgs	

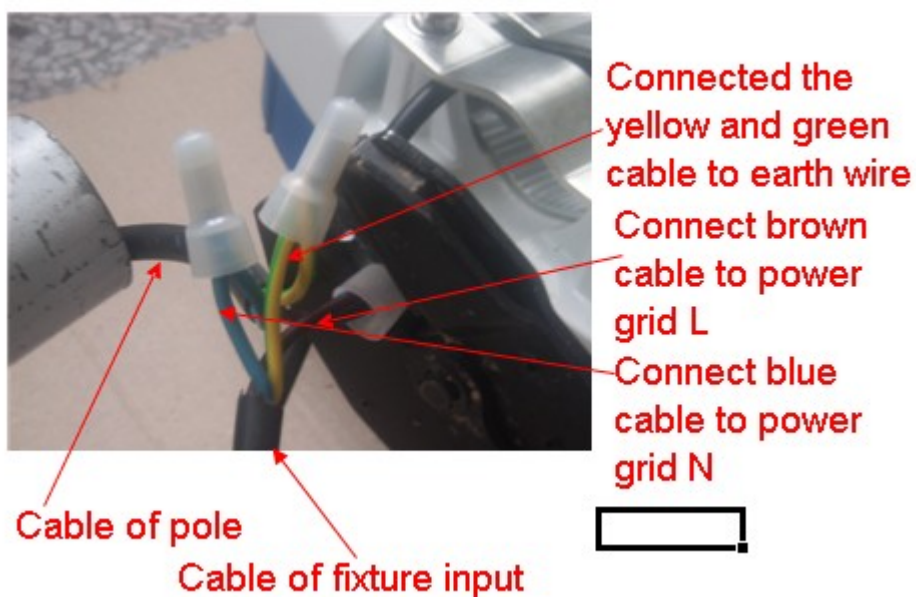
3.2 Declaration of Product Performance:

Optical radiation of this luminaire conforms to the requirements by the EXAMPT GROUP OF “IEC62471-2006”.

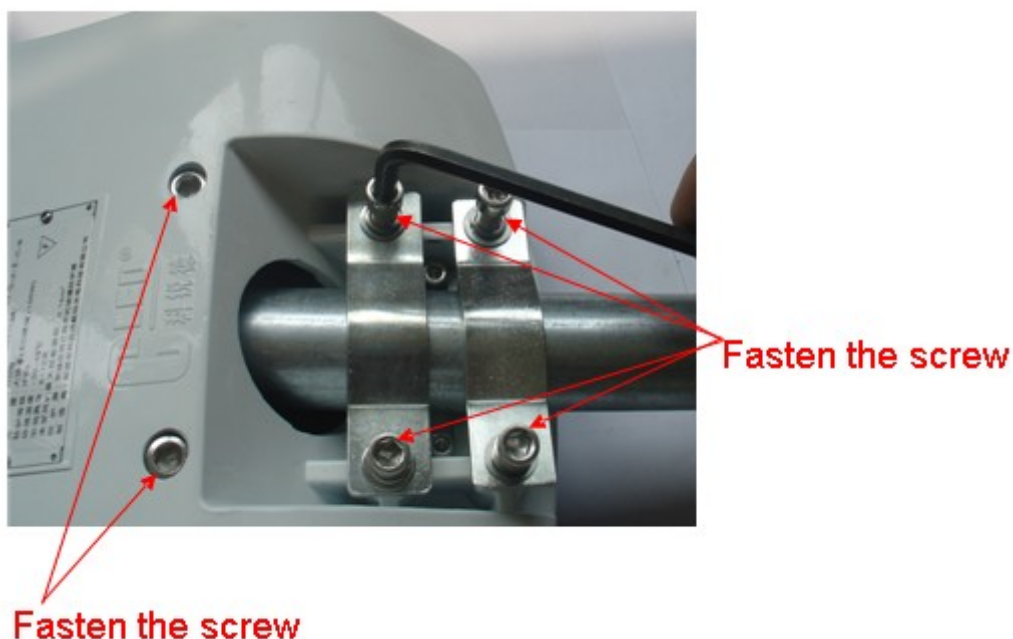
4. Installation

4.1 Street light installment

4.1.1 Installation: Connect the cable of pole with the input cable of street light. (brown cable butt joint with power grid L, blue butt joint with power grid G), coil bulking the corresponding core wire, put the joint into the terminals, then use terminals fastening(as shown in figure one), and the last used waterproof tape or electrical tape wrapped the terminals.

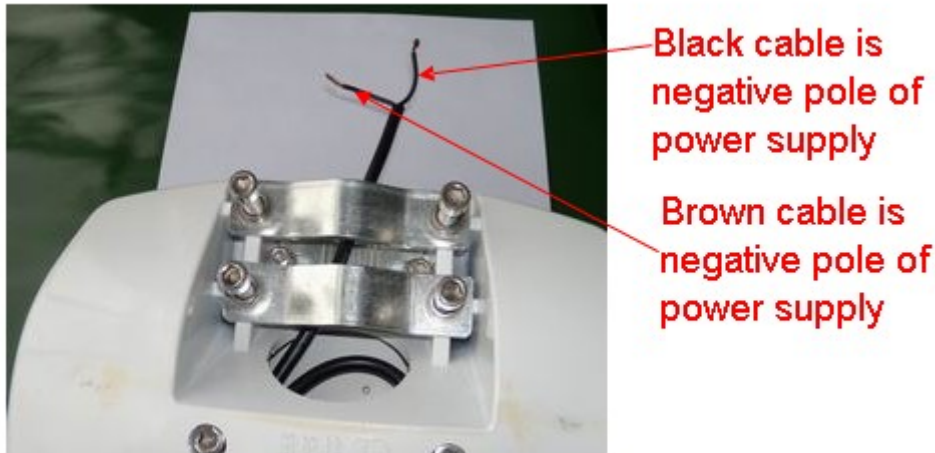


4.1.2 Insert the pole into the mounting hole, adjust the illuminate surface of fixture, then locked the tableting firmly.(as shown in figure 2)



4.2 Solar LED street light installment

4.2.1 Connected the corresponding cable of pole with the input cable(as shown in figure 3), the brown input cable is the positive pole of power supply, black is the negative pole), coil bulking the corresponding core wire, put the joint into the terminals, then use terminals fastening(as shown in figure one), and the last used waterproof tape or electrical tape wrapped the terminals.



4.2.3 Insert the pole into the mounting hole, adjust the illuminate surface of fixture, then locked the tableting firmly.(as shown in figure 2)

4.2.4 After the fixture installed, connect the corresponding core wire of connecting line of pole with the corresponding positive pole and negative pole of power input.

5. Transportation & Storage:

5.1 During transportation, severe mechanical impact, solarization & drench should be avoided, the luminaire could not be placed upside down, strongly against throwing, rolling and hard press.

5.2 Storage warehouse should be dry, clean and draughty, No corrosive medium, ambient temperature should be around 0-40°C, keep away from fire and heat source.

6. Open Package and Inspection:

Before you open the package, check if there's any damage of the carton. After opening the carton, please check the enclosed technical data sheet such as User Manual etc. and confirm all the accessories are safe and sound.

7. The dos and don'ts:

7.1 Read the Instruction carefully before using the product.

7.2 Before installation, make sure the luminaire and all accessories are perfect, no damage.

7.3 Before installation, must switch off the power grid, live line work is strictly prohibited.

7.4 Handle with care & Make sure Wiring is correct.

7.5 To assure LED Module lifespan, please do not change the power supply by yourself.

- 7.6** To assure safety of power supply and better effect of lighting protection, earth line between Power supply and Power grid are well connected. In case of power grid without earth line, the earth line of power supply should be connected with the lamp post.
- 7.7** This is a maintenance free product, in case of maintenance is needed, please contact us.
- 7.8** After installation, please confirm the luminaire is fixed firmly to the lamp post.