

USER MANUAL FOR VUOLUX FEEL ELECTRIC SAUNA STOVE

***Vuolux Feel 6.0 and 8.0 kW
Vuolux Feel 6 and 8 kW with Rough stones
Vuolux Feel 6 and 8 kW with Rough stones and Light***



CONTENTS

- 3 Introduction and installation of electric sauna stove
- 4 General installation instructions and directions for use
- 5 The sauna room and ventilation
- 5 Instructions for electrical installation
- 5 Troubleshooting
- 5 Warranty and contact information
- 6-10 Installation and wiring diagrams

The owner of the sauna stove or the person responsible for the sauna should keep this user manual!

Thank you for choosing Vuolux sauna stove! You will soon be able to enjoy your new Vuolux sauna stove, the heart of your sauna, developed respecting the old sauna traditions and utilising the latest manufacturing methods. We wish you many relaxing moments in your new Vuolux sauna!

Introduction and installation of electric sauna stove

Vuolux sauna stove is suitable for family saunas, not public saunas. Please install only one (1) sauna stove in each sauna room. Using an electric sauna stove and a woodburning sauna stove in the sauna room at the same time is strictly prohibited!

Start the installation by removing the packaging from around the sauna stove and carefully cut off the supporting strap. You will find the moisture-retaining stones, the stainless steel housing and mounting screws in a separate package.

If your sauna stove has a built-in timer, we recommend that an electrician installs the connections before you mount the sauna stove on the wall.

Mount the sauna stove on the wall according to the instructions on pages 7 and 9 with the screws provided. The stove is locked into place with so-called locking screws. Check the minimum safety distances! If the sauna stove is mounted in a wall recess or if you are going to build a safety rail around it, you must follow the instructions given regarding minimum safety distances on page 9. The safety distances are distances to an inflammable structural element and you can halve the distances when necessary by using incombustible protective plates. For further information, please contact the manufacturer.

Be careful not to place the rocks between the heating elements as this would prevent air circulation through the sauna stove!

You should preheat the sauna stove twice (for around 45 minutes each time) before you start using it. Ventilate the sauna room between the preheatings and allow the stove to cool thoroughly. Do not use water when preheating the sauna stove. We recommend using room temperature water on the stones. Always preheat the sauna under supervision! The stones may get stained depending on the quality of the sauna water.

When mounting the sauna stove, make sure that controlling and using the sauna stove is as easy as possible.

Please read through the general installation instructions and directions for use!

General installation instructions and directions for use

Timer

Vuolux sauna stoves are delivered with a built-in timer in the lower part of the stove.

The timer works as the main switch (8+4 hours). The power is automatically switched off after the regulated time. You can switch the sauna stove on at a pre-selected time of one (1) to eight (8) hours. The sauna stove stays switched on for a maximum of four (4) hours.

Example 1: When you want to switch the stove on immediately, simply turn the timer knob to the desired position between 1 and 4.

Example 2: When you wish to have a sauna after a certain time (e.g. after a jog), you can estimate when you wish the sauna to be ready. If you want to have a sauna in two hours' time, turn the timer knob past the scale of 1-4 to the pre-selected time position 1. The timer is switched on and the power will be switched on after one hour and the sauna will start heating up. The sauna will be ready in about two hours.

When the stove has been switched on, it will stay on for a maximum of four (4) hours. You can switch the power off earlier by turning the time knob to position zero (0).

Please make sure that the timer has switched the power off after the selected time! You should also check the timer after thunderstorms.

Adjusting the temperature

The sauna stove preheats in about 45 minutes. The size, structure and thermal insulation of the sauna room all affect the preheating time significantly. An uninsulated 1 m² surface increases the required output of the sauna stove as much as an additional 1.5 m³ would. The effect of the sauna stove must however always correspond to the recommended cubic volume of the sauna room, the above-mentioned additions included.

The desired temperature can be selected with the thermostat dial and the thermostat keeps it at the desired level. The temperature limit control switches the stove off should there be any risk of overheating. You can switch the stove back on by pressing the reset button of the temperature limit control (located next to the thermostat knob). Always examine the reason for the overheating before you turn the stove back on!

Adjust the hot steam by splashing water onto the stones. We recommend using room temperature water.

Always check the sauna room before you switch the stove on!

The sauna room and ventilation

Correct ventilation is very important for pleasant sauna baths. The following recommendations are currently in force for sauna rooms with electric stoves:

The fresh air ventilator should be placed at least 50 cm above the sauna stove. The exhaust air ventilator should be placed as far from the stove as possible and close to the edge of the floor. You can also lead the exhaust air to the shower room from under the door to the sauna room (as long as the gap is at least 5 cm high). This alternative works well when you use mechanical air conditioning. The diameter of the ventilation pipes should be between 50 and 100 mm and the exhaust vent should be bigger than the fresh air vent.

Instructions for electrical installations

The sauna stove can only be connected to the power supply by an authorised electrician in accordance with the applicable regulations. The connecting cable must be a rubber cable type H07RN-F. Never use a PVC cable in a sauna stove!

Connect the stove semi-permanently to the junction box. The junction box must be splash-proof and it must not be installed higher than 50 cm from the floor. The thermostat knob is located in the lower part of the stove. Please see pages 10-11.

Additional connections:

1. Connecting the signal light outside the sauna room

The connecting cable must be of type H07RN-F, with the same circumference as the connecting cable of the stove (see wiring diagrams on pages 10-11).

2. Connecting electrical heating with the sauna stove

Run the control cable for electrical heating directly into the junction box of the sauna stove, and from there to the terminal blocks of the sauna stove along a rubber cable with the same thickness as that of the connection wire (see wiring diagrams on pages 10-11).

Troubleshooting

If the sauna stove does not heat, check the following:

- Has the power been switched on?
- Has the timer been switched on to a section where the sauna stove should be heated?
- Does the thermostat show a higher figure than the temperature of the sauna?
- Has the timer stopped/got stuck? The timer knob can only move freely if there is a gap of 1-2 mm between the timer knob and the front panel of the timer.
- Has the temperature limit control cut the power off? Reset the temperature limit control by pressing the hole next to the thermostat knob until you hear a clicking sound. Always check the reason for the overheating before you turn the stove back on!

For additional information, please contact your dealer or the manufacturer!

Vuolux Oy warrants its electric sauna stoves for one (1) year from the date of purchase. Please retain the sales receipt as you will need it for any warranty service. The warranty is valid only for sauna stoves in private use.

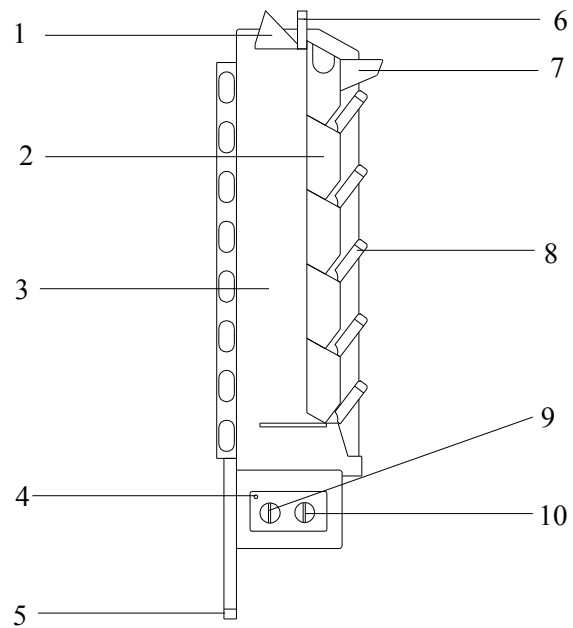
Manufacturer's contact information:

Vuolux Oy
Pajatie 5
85500 NIVALA
FINLAND

Tel. +358-44-3243100

vuolux@vuolux.fi
www.vuolux.fi

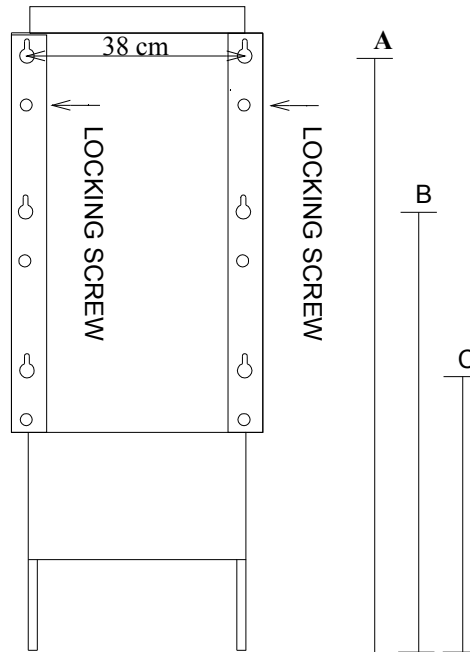
COMPONENT LIST



- 1 Steam distributor
- 2 Rearmost sauna stones
- 3 Side stone
- 4 Reset button of temperature limit control
- 5 Support legs with plastic cover
- 6 Rearmost sauna stone
- 7 Stainless steel housing
- 8 Moisture-retaining stones
- 9 Temperature control
- 10 Timer

FASTENING INSTRUCTIONS

Fasten the sauna stove to the wall according to the instructions below. The distances given indicate the distance from the floor to the hole for the screw. Please check the safety distances from page 8.



A=	Vuolux 6.0 Feel	765 mm
	Vuolux 8.0 Feel	890 mm
B=	Vuolux 6.0-8.0 Feel	585 mm
C=	Vuolux 6.0-8.0 Feel	365 mm

1 Fasten the sauna stove to the wall with four screws. Two of the screws are locking screws. Place the sauna stove in the desired position and mark the position of the screws on the wall. You do not have to dismantle the sauna stove before fastening.

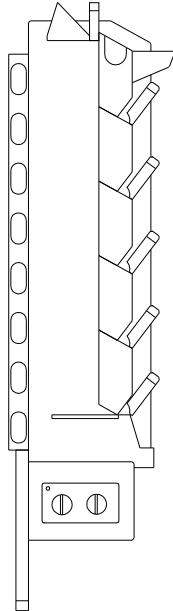
2 Move the sauna stove to the side and fasten the screws on the marked positions on the wall. Tighten the screws leaving a 2-3 mm gap between the top of the screw and the wall.

3 Lift the sauna stove onto the wall. Make sure that the legs support the stove.

4 Fasten the locking screws.

STACKING OF THE SAUNA STONES

Should you remove any stones from the stove, it is very important to put them back according to the directions below:



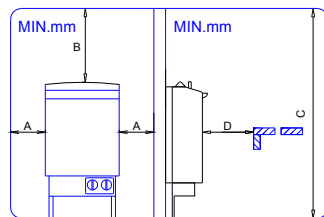
- 1 Check the angle of incline of the rearmost sauna stoves from the picture above and pile the stones accordingly.
- 2 Place the steamer stones on top.
- 3 Place the water-collecting stones against the sauna stones, resting on the steel retainers. Make sure that the smooth surface of the stone is outwards and the rounded corners upwards.
- 4 Place the rearmost sauna stone with the smooth surface forward and the rounded corners upwards.
- 5 You can install the timer and the temperature control of the sauna stove either in the front panel on the right-hand side or in either end of the stove. Note that moving the timer and the temperature control to the left end of any Vuolux Light sauna stove must be done by the manufacturer.

SAFETY DISTANCES

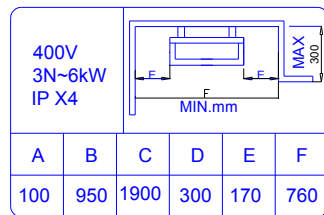
The safety distances are distances from the sauna stove to flammable surfaces. It is absolutely necessary to ensure that the installation is carried out according to the safety distances.

If you install the sauna stove in a wall recess, you must follow the instructions given about minimum safety distances (see picture below).

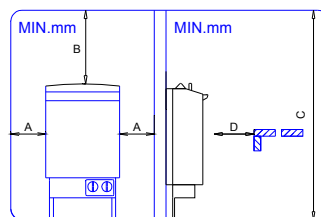
The safety distance is measured from the widest/deepest/highest point.



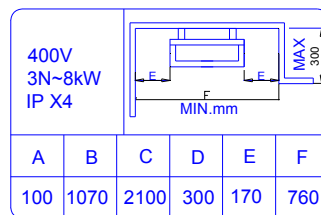
MIN.SAUNA 4 m³



Vuolux 6 kW



MIN.SAUNA 7m³

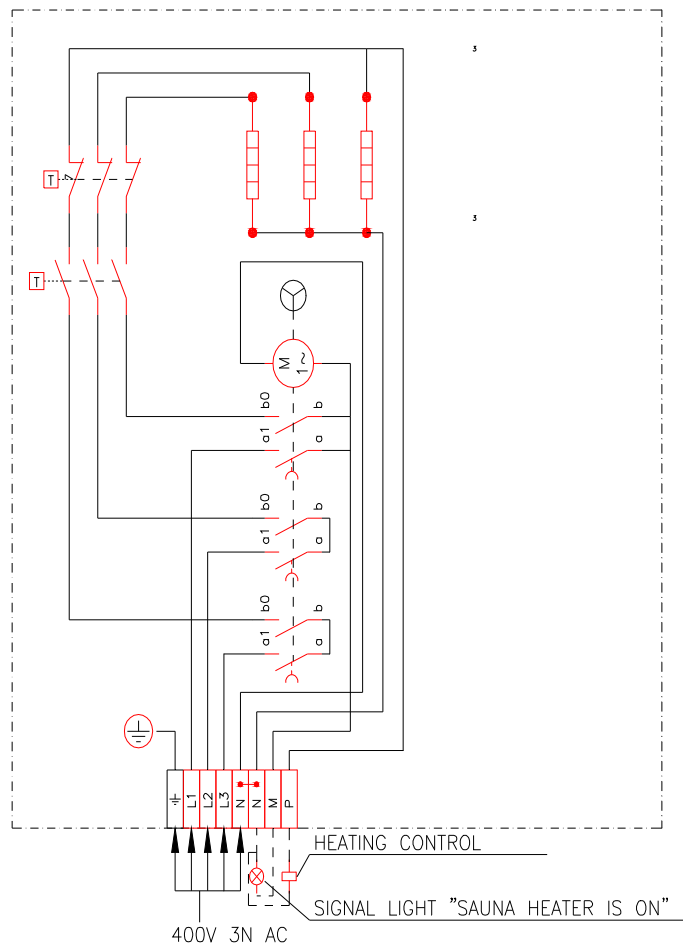


Vuolux 8 kW

WIRING DIAGRAM
Built-in timer

Vuolux	6.0
Output	6 kW
Voltage	400 V 3N
Connecting cable	5 x 1.5 S
Fuse	10A
Output / resistor	2 kW

Vuolux	8.0
Output	8 kW
Voltage	400 V 3N
Connecting cable	5 x 2.5 S
Fuse	16A
Output/resistor	2.7 kW

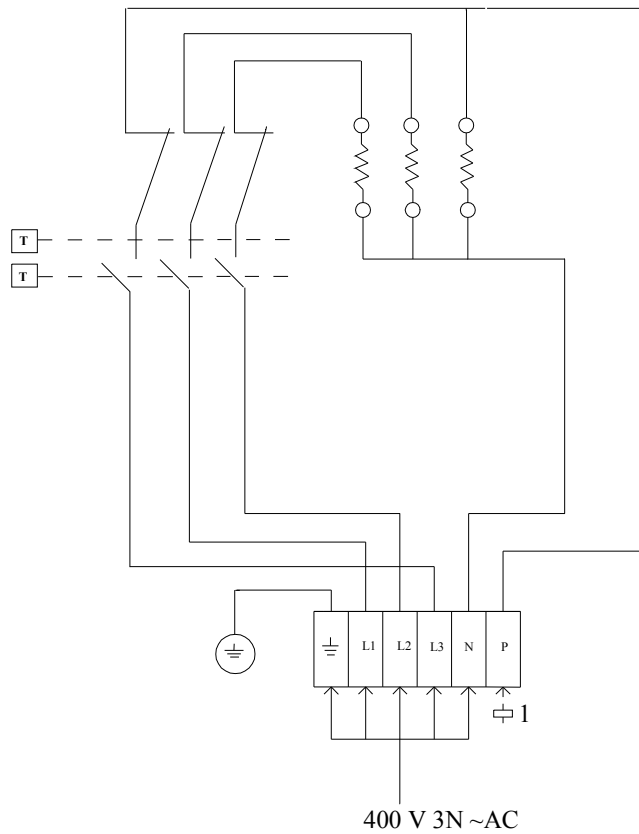


WIRING DIAGRAM

Separate timer

Vuolux	6.0
Output	6 kW
Voltage	400 V 3N
Connecting cable	5 x 1.5 S
Fuse	10A

Vuolux	8.0
Output	8 kW
Voltage	400 V 3N
Connecting cable	5 x 2.5 S
Fuse	16A



1= Heating control