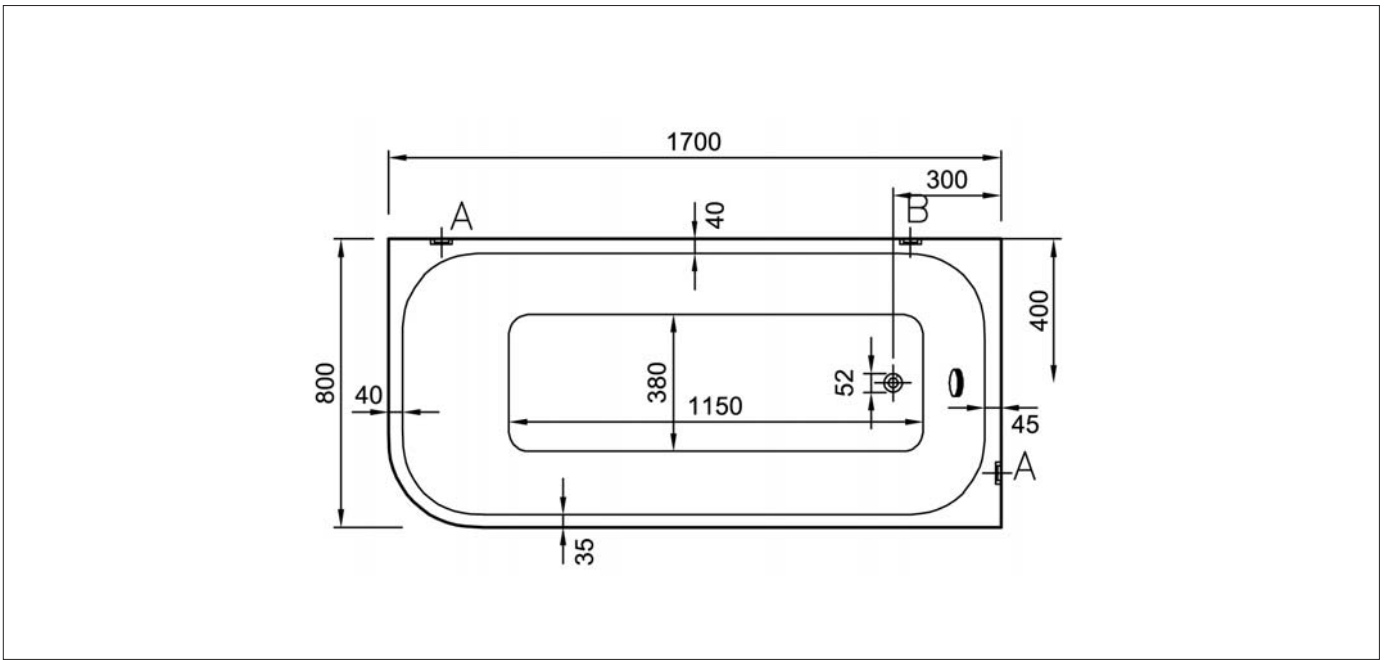
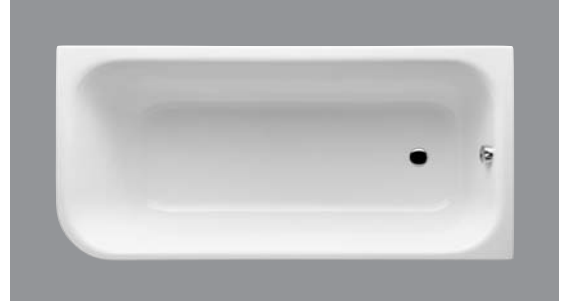


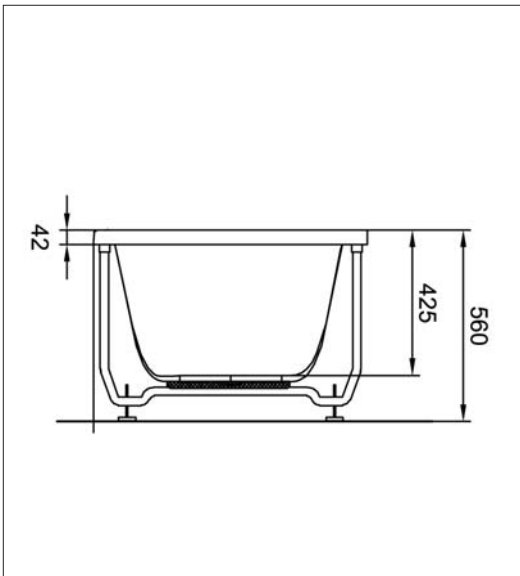
MOD *by Lovegrove.*

(LEFT) 170x80 cm

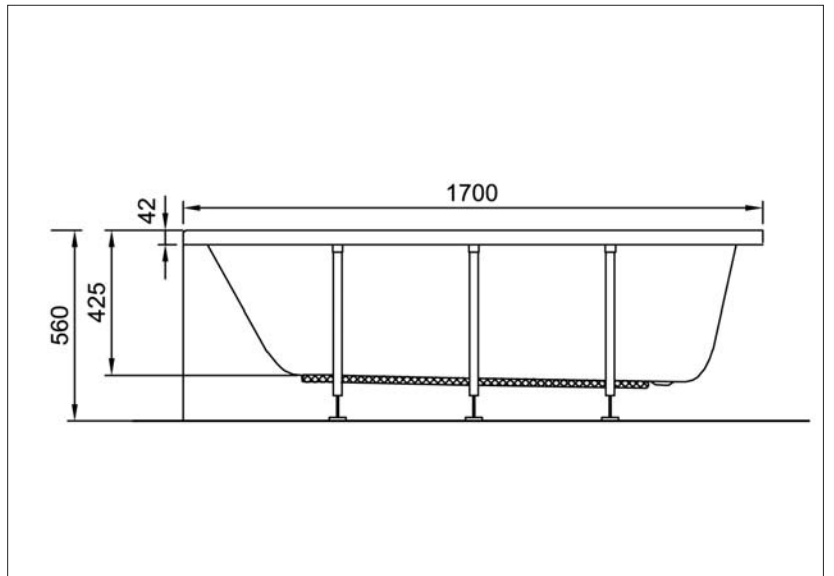
Size (cm) : 170x80
Height (cm) : 56
Weight (kg) : 22
Front Panel Weight (kg) : 7
Side Panel Weight (kg) : -
Volume (lt) : 210
Available massage systems : Aqua Soft
 Aqua Soft Easy



Plan



Side View



Front View



Detail A



Detail B

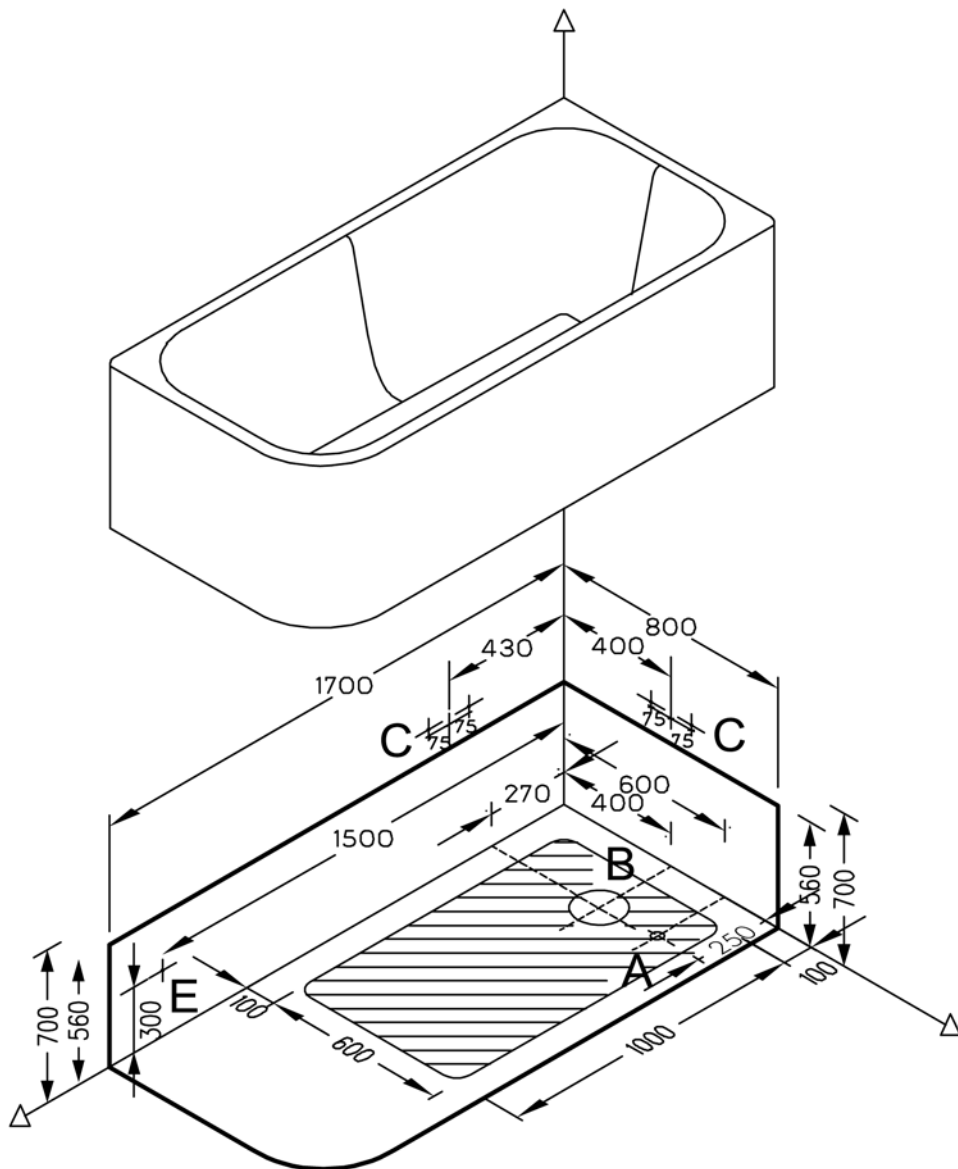
- As shown in Figure Plan, the wall hangers (details A-B) are used to fix the product to the wall. It is suggested to use the wall hangers to rigid the bathtub.

Points to Notice:

- MOD 170x80 has two symmetrical models: right and left. By looking from the siphone side to the product, the direction of the bathtub can be determined. When it is narrowing from the right side than it is MOD Right and when it is narrowing from the left side it is MOD Left. This technical sheet is prepared for MOD Left. High attention should be paid to understand whether it is MOD Right or MOD Left for the sake of installation system and wall-installed faucet applications.
- An elbow and a waste connection hose of 50 mm. will be delivered with the product but an edge lath and other accessories are not included.
- The place where the product will be installed should be straight.
- An airing and access window should be left if the hydromassage bathtub is installed without panels.
- During the installation of the panels, the adjustment of the leg set should be carried out according to the height of the panel.
- For longer and health usage, it is necessary not to leave the wooden panels wet and to dry the panels with fabric after every bath. In order to prevent the product from abundant water, it is important clean the bath-floor with a fabric
- During the cleaning of the wooden panel, do not use any corroding powder detergent, soap or hard/scratching sponge. Do not touch it with paint solving materials, acetone or any other solvents
- Do not take the wooden cleaners since the wooden panel is covered with lack
- It is enough to use a soft fabric and window cleaning liquid for the wooden panels. Clean the panel by considering the pattern direction of the wooden panel
- No wall hangers are used by wooden panel applications
- The electrical system is running with 220 volt (with earth connection). For its connection a 3x2,5 mm. cable should be used.
- The faucet should not be applied on the pump of the hydromassage bathtub.
- The spout should be min 15 cm. if the faucets are installed to the wall.
- Handgrip application for this product is not available.
- For the cleaning of the acrylic bathtub look at the User Manual.
- Waste connection fuse, wall hangers and user manual are delivered with the product.

Faucet Applications

ANY APPLICATION OF TABS ON THIS BATHTUB IS NOT POSSIBLE.



- ▣ : The area where the waste outlet (ø 50 mm) can be placed in.
- A : Ideal position of the waste outlet (ø 50 mm). The end point of the waste outlet should not be cut out, and should be left at least 50 mm. above the surface.
- B : The area (ø 200 mm.) where the waste outlet should not be left.
- C : Hot & cold water inlet for the wall taps.
- E : Measures for electrical connection of whirlpool tubs.

There is no need to leave additional space for the silicone during the installation process. It is enough to prepare the required area according to the size of the product.