

**INSTALLER / CONSUMER
SAFETY INFORMATION**

PLEASE READ THIS MANUAL
BEFORE INSTALLING AND USING
APPLIANCE.

WARNING!
IF THE INFORMATION IN THIS
MANUAL IS NOT FOLLOWED
EXACTLY, A FIRE OR EXPLOSION
MAY RESULT CAUSING PROP-
ERTY DAMAGE, PERSONAL IN-
JURY OR LOSS OF LIFE.

FOR YOUR SAFETY

Improper installation, adjustment, alter-
ation, service or maintenance can cause
injury or property damage. Refer to this
manual for correct installation and opera-
tional procedures. Installation and service
must be performed by a qualified installer,
service agency or the gas supplier.

WHAT TO DO IF YOU SMELL GAS:

- Do not try to light any appliance.
- Do not touch any electric switch; do not use any phone in your building.
- Immediately call your gas supplier from your neighbor's phone. Follow the gas supplier's instructions.
- If you cannot reach your gas supplier, call the fire department.

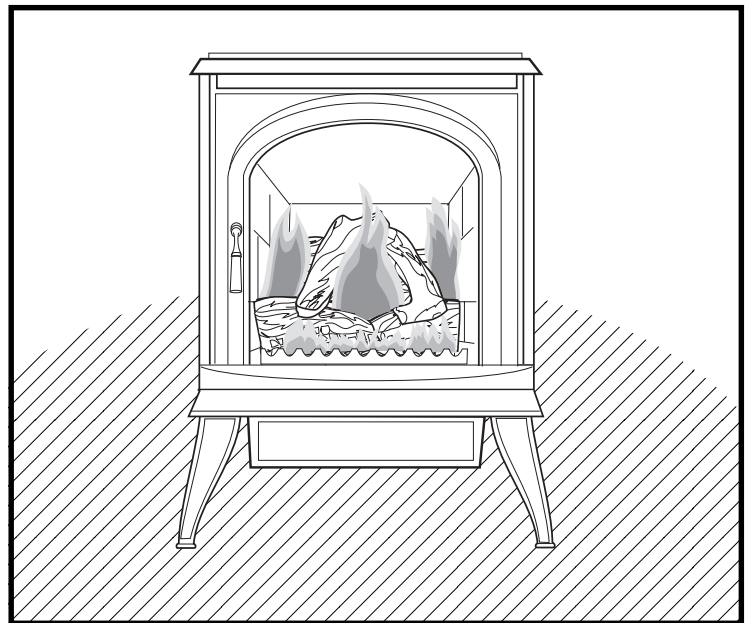
**DO NOT STORE OR USE GASO-
LINE OR OTHER FLAMMABLE
VAPORS AND LIQUIDS IN THE
VICINITY OF THIS OR ANY OTHER
APPLIANCE.**

This is an unvented gas-fired
heater. It uses air (Oxygen) from
the room in which it is installed.
Provisions for adequate combus-
tion and ventilation air must be
provided.



**Jefferson®
Vent Free Gas Heater**

**Models: JUVSR & JUVSM
3095, 3096, 3097, 3100,
3101, 3102, 3105, 3106,
3107, 3110, 3111, 3112**



**Homeowner's Installation
and Operation Manual**



Tested and listed to ANSI Z21.11.2.2000

**INSTALLER: DO NOT DISCARD THIS MANUAL -
LEAVE FOR HOMEOWNER**

ATTENTION CONSUMER:

IN ORDER TO ENSURE SAFE AND EFFECTIVE INSTALLATION, THIS UNIT MUST BE INSTALLED ONLY BY A QUALIFIED AGENCY, INDIVIDUAL, FIRM, CORPORATION OR COMPANY THAT IS EXPERIENCED IN THE INSTALLATION, REPAIR AND SERVICING OF THIS TYPE OF APPLIANCE AND IS FAMILIAR WITH THE BUILDING CODES AND INSTALLATION TECHNIQUES APPROPRIATE IN YOUR AREA. CONTACT YOUR HEARTH PRODUCTS DEALER OR LOCAL GAS SUPPLIER FOR THE NAME OF A QUALIFIED SERVICE PERSON.

INSTALLER:

PLEASE READ THIS MANUAL CAREFULLY BEFORE YOU BEGIN THE INSTALLATION PROCEDURES. FAILURE TO FOLLOW INSTRUCTIONS MAY RESULT IN PROPERTY DAMAGE, BODILY INJURY OR LOSS OF LIFE. THIS MANUAL CONTAINS IMPORTANT USER INFORMATION. KEEP THIS MANUAL WITH THE HEATER AFTER INSTALLATION IS COMPLETE.

Table of Contents

Heater Dimensions	3
Safety Information	4
General Information	5
Installation Requirements	6
• Clearance Requirements	8
Assembly Procedures	9
Operation	12
Maintenance	15
Troubleshooting	16
Replacement Parts	19
Warranty	21

JUVS Specifications

Jefferson Vent Free Gas Heater Models JUVSRN, JUVSRP, JUVSMN, JUVSMP

Fuel	NG	LP
Manifold Pressure Min./Max.	1.7"/3.5"	5.4"/11.0" (RP) 4.4"/10.0" (MP)
Min. Inlet Supply Pressure for adjustment:	5.5"w.c.	11.0"w.c.
Max. Inlet Supply Pressure for adjustment:	14.0"w.c.	14.0"w.c.
Min. Output, BTU/hr:		
JUVSR	20,000	21,000
JUVSM	18,500	18,500
Max. Output, BTU/hr:	28,000	28,000
Ignition:	Piezo	
Firebox Weight/shipping:	110 lbs.	

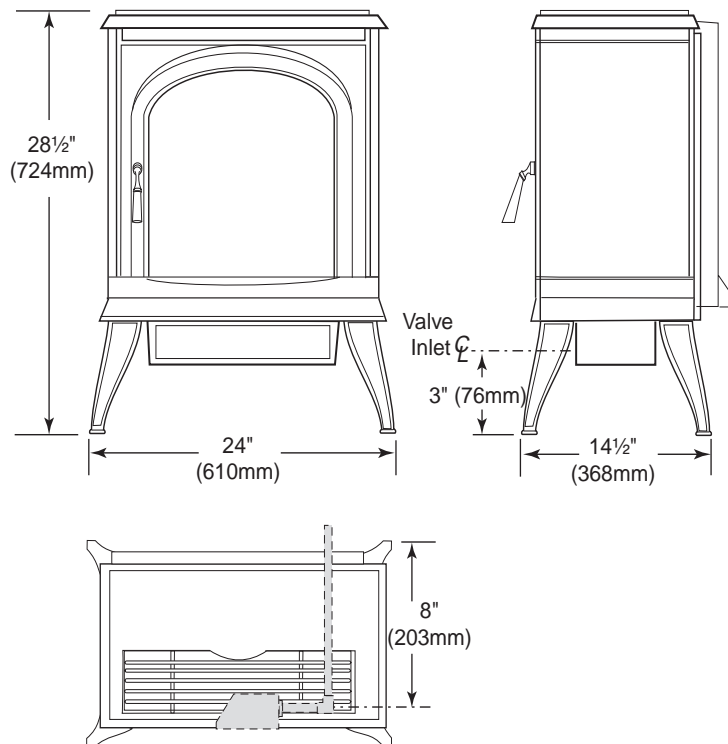
Accessories

- #2960 FK28 Fan Kit
- IMT Optional Wall Thermostat
- MRC1 ZC1100 Remote Control (ON/OFF w/batteries)
- MRC2 ZC1200 Remote Control (ON/OFF thermostat w/batteries)
- MRC3 ZC1300 Remote Control (LCD ON/OFF thermostat, timer w/batteries)

This appliance may be installed in an aftermarket* manufactured (mobile) home, where not prohibited by state or local codes.

This appliance is only for use with the type of gas indicated on the Rating Plate. This appliance is not convertible for use with other gases.

*Aftermarket: Completion of sale, not for purpose of resale, from the manufacturer.



3447

Fig. 1 Jefferson Vent Free dimensions.

Safety Information

WARNINGS

IMPORTANT: READ THIS OWNER'S MANUAL CAREFULLY AND COMPLETELY BEFORE TRYING TO ASSEMBLE, OPERATE OR SERVICE THIS HEATER. IMPROPER USE OF THIS HEATER CAN CAUSE SERIOUS INJURY OR DEATH FROM BURNS, FIRE, EXPLOSION, ELECTRICAL SHOCK AND CARBON MONOXIDE POISONING.

DANGER

CARBON MONOXIDE POISONING MAY LEAD TO DEATH!

Carbon Monoxide Poisoning: Early signs of carbon monoxide poisoning resemble the flu, with headaches, dizziness or nausea. If you have these signs, the heater may not be working properly. Get fresh air at once! Have the heater serviced. Some people are more affected by carbon monoxide than others. These include pregnant women, people with heart or lung disease or anemia, those under the influence of alcohol and those at high altitudes.

Make certain you read and understand all Warnings. Keep this manual for reference.
It is your guide to safe and proper operation of this heater.

1. Use only Natural Gas with JUVSRN, JUVSMN. Use only Propane with JUVSRP, JUVSMP. Do not use any other fuels.
2. Install only in accordance with the National Fuel Gas Code, ANSIZ223.1-latest edition.
3. Use only the installation instructions provided by the manufacturer for this appliance. Installation and repair should be done by a qualified service person. The appliance should be inspected before use and at least annually by a professional service person. More frequent cleaning may be required due to excessive lint from carpeting, bedding material, etc. It is imperative that control compartments, burners and circulating air passageways of the appliance be kept clean.
4. **Warning:** Any change to this heater or its controls can be dangerous. DO NOT make modifications to any heater or associated parts.
5. DO NOT install this heater in a bedroom or bathroom.
6. Due to high surface temperatures, DO NOT install this heater
 - in a recreational vehicle,
 - where curtains, furniture, clothing or other flammable objects are less than 36 inches from the front, top or sides of the heater,
 - in high traffic areas,
 - in windy or drafty areas.
7. DO NOT place clothing or other flammable material on or near the appliance.
8. DO NOT obstruct the top grille at all. Doing so will cause high levels of carbon monoxide that will lead to death.
9. This heater needs fresh, outside air ventilation to operate properly. See Fresh Air Requirements on pages 6 and 7.
10. If heater shuts off, heater may not have enough fresh air ventilation. Provide more fresh air. If heater keeps shutting off, see *Troubleshooting* pages 16-17.
11. DO NOT operate this heater
 - where flammable liquids or vapors are used or stored
 - under dusty conditions.
12. The heater becomes very hot when operating. Alert children and adults to stay away from hot surfaces to avoid burns or clothing ignition. The heater will remain hot for a time after shutdown. Allow surface to cool before touching.
13. Carefully supervise young children when they are in the room with the heater.
14. Do not use the heater if any part has been exposed to or under water. Immediately call a qualified service technician to inspect the room heater and to replace any part of the control system and any gas control which has been under water.
15. DO NOT operate the heater if any log is broken or damaged.
16. Turn heater off and let cool before servicing. Only a qualified service person should service and repair heater.
17. DO NOT operate this appliance with the safety screen removed. If the safety screen is removed from the appliance for service or cleaning, it must be replaced before operating the heater.

High Altitude Derating

Input ratings are shown in BTU per hour and are for elevations up to 4,500 feet (1370m). For elevations above 4,500 feet (1370m) consult local building codes. Nuisance outages may occur at altitudes above 4,500 feet (1370m) if dirt, dust, lint and/or cobwebs are allowed to accumulate on burner and/or ODS pilot. Monthly inspection and cleaning is recommended for altitudes above 4,500 feet (1370m).

General Information

Vent Free Features

The JUVS Gas Heater is an unvented gas appliance tested and listed to the ANSI standard Z21.11.2.2000. The Vent Free Gas Heater is configured to use Natural Gas, (JUVSRN, JUVSMN) or Propane (JUVSRP, JUVSMP). Because these heaters are clean-burning and highly energy-efficient, no venting system is required.

The JUVS is shipped fully assembled with the exception of the log set. The log set is assembled during installation.

The JUVS is equipped with a Honeywell control valve that allows thermostatic control, on/off switch or a remote switch (not supplied).

The JUVS model incorporates variable regulators that allow you to adjust burner heat output between HIGH, (28,000 BTU), and LOW, (20,000 BTU). See the Operation Section for details.

The standing pilot incorporates an Oxygen Depletion System (ODS/pilot) which shuts off gas flow to the burner in the event that sufficient fresh air becomes unavailable for continued safe operation.

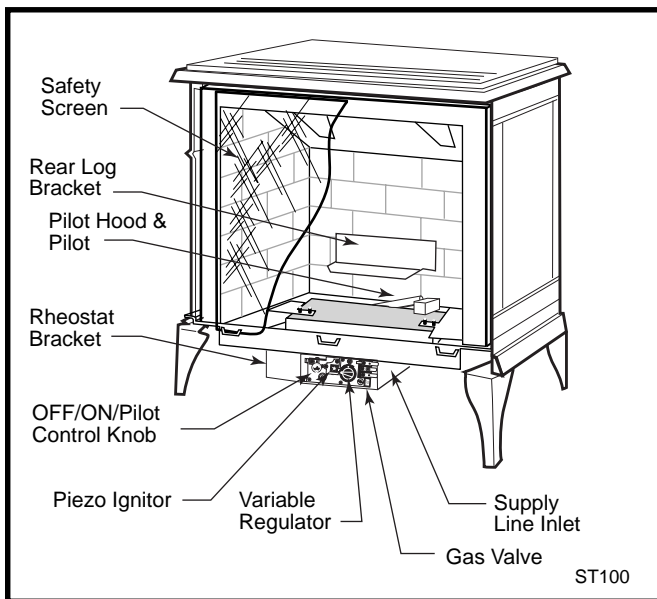


Fig. 2 JUVS gas heater. Valve may be different.

Unpack the Stove

Remove the stove assembly from the shipping carton and inspect it for loose or damaged parts. Do not install this appliance if any parts are loose or if there is any visual or suspected damage resulting from shipping or handling. Report damage to your dealer/distributor immediately. The log set is packaged in the box shipped inside the firebox.

To remove the packaged log set from the firebox:

- Lift the stove front up and then swing the bottom out and away to disengage it from the stove body. (Fig. 3)
- Cut the wire tie securing the screen.
- Remove the screen frame. (Fig. 4)
- Remove box and set aside.

Contact your dealer if the burner is loose or damaged in any way.

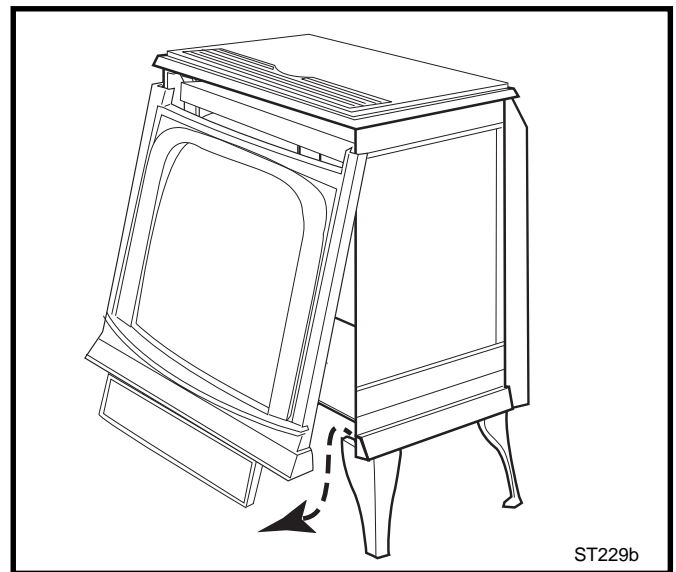


Fig. 3 Remove stove front.

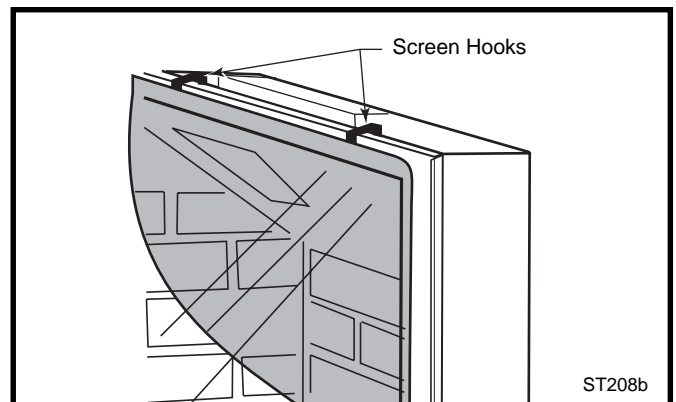


Fig. 4 Lift screen from firebox.

Installation Requirements

Fresh Air Requirements for Combustion and Ventilation

WARNING

This heater must have fresh air for proper operation. If it does not, poor fuel combustion could result. Read the following instructions to ensure proper fresh air supply for this and other fuel-burning appliances in your home.

Modern construction standards have resulted in homes that are highly energy-efficient and that allow little heat loss. Your home needs to breathe, however, and all fuel-burning appliances need fresh air to function properly and safely. Exhaust fans, clothes dryers, fireplaces and other fuel burning appliances use the air inside the building. If the available fresh air supply is insufficient to meet the demands of these appliances, problems can result.

The JUVS heater has specific fresh air requirements. You must determine that these requirements will be met within the space where the appliance will be installed. The following information will help you insure adequate fresh air is available for the heater to function properly.

Provide for Adequate Ventilation

Any space within a home can be classified in these categories:

- 1) Unusually tight construction
- 2) Confined space
- 3) Unconfined space

First, determine which classification defines the intended installation space.

Unusually Tight Construction

You must provide additional fresh air if the space falls into this classification. *Unusually Tight Construction* is defined as construction wherein:

- a. Walls and ceilings exposed to the outside atmosphere have a continuous water vapor barrier with a rating of one perm or less, with openings gasketed or sealed, *and*
- b. weather stripping has been added on openable windows and doors *and*
- c. caulking or sealants are applied to areas such as joints around windows and door frames, between sole plates and floors, between wall and ceiling joints, between wall panels, at penetrations for plumbing, electrical and gas lines and at all other openings.

If your home meets all of the above criteria, you must provide additional fresh air for the appliance as detailed

on Page 7.

If your home does not meet the above criteria, follow the procedure below.

Determine If You Have a Confined or Unconfined Space

Use the following formula to determine if you have a confined or unconfined space.

Space is defined as the room in which you will install the heater, plus any adjoining rooms with doorless passageways or ventilation grilles between the rooms.

The National Fuel Gas Code defines a *confined space* as a space whose volume is less than 50 cubic feet per 1,000 BTU per hour input rating (4.8m³ per Kw) of the aggregate (total) input rating of all appliances installed in that space and an *unconfined space* as a space whose volume is not less than 50 cubic feet per 1,000 BTU per hour (4.8m³ per Kw) of the aggregate input rating of all appliances installed in that space. Rooms communicating directly with the space in which the appliances are installed, through openings not furnished with doors, are considered a part of the unconfined space.

1. Determine the volume of space (length x width x height). Include adjoining rooms connected by doorless passageways or ventilating grilles.

Example: A room that is 18' x 12' x 8' has a volume of 1728 cubic feet. An adjoining open kitchen that is 10' x 12' x 8' has a volume of 960 cubic feet. An adjoining open dining room is 12' x 12' x 8' with a volume of 1152 cubic feet. The total volume is 3840 feet. (1728 + 960 + 1152)

2. Divide the volume of space by 50 cubic feet. The result is the maximum BTU/hour the space can support.

Example: 3840 cubic feet divided by 50 = 76.8 or 76,800 BTU/hour.

3. Add the BTU/hour ratings of all fuel-burning appliances installed in the same space, including the following:

Gas Water Heater	Gas Furnace
Gas Fireplace Logs	Vent-free Gas Heater
Vented Gas Heater*	Other Gas Appliances*

*Do not include Direct-vent appliances as these use outdoor air for combustion and vent to the outdoors.

Example:

Gas Range	55,000 BTU/hour
Vent-free Logset	+25,000 BTU/hour
Total	80,000 BTU/hour

4. Compare the maximum BTU/hour rating the space can support with the total BTU/hour used by the appliances.

Example: 76,800 BTU/hour the space can support
80,000 BTU/hour used by appliances

In this example, the maximum BTU/hour that the space can support is less than the total used by the appliances. The space is considered to be *Confined Space*.

Additional air must be provided to meet the requirements of the vent-free heater.

A confined space may be ventilated in two ways:

A. Open or provide at least two ventilating grilles to an adjoining unconfined space. (Fig. 2)

Each of the two grilles must provide an opening of at least 50 square inches, with all opening dimensions being at least 3". One grille must be within 12" of the ceiling; the other within 12" of the floor. (If the total exceeds 100,000 BTU/hour, additional grilles will be needed.)

B. Vent the room directly to the outdoors. (Provide one square inch of opening for each 4,000 BTU/hour)

For further information on ventilation guidelines and sizing specifications, follow the National Fuel Gas Code/NFPA 54/ANSI Z223.1, Section 5.3.

If the total BTU/hour used by the appliances is less than the maximum BTU/hr the space can support, the room meets the *Unconfined Space* criteria and no further ventilation is needed.

WARNING

This heater shall not be installed in a confined space unless provisions are made for adequate combustion and ventilation air.

WARNING

If the area in which the heater may be operated is smaller than that defined as an unconfined space, provide adequate combustion and ventilation air by one of the methods described in the National Fuel Gas Code, ANSI Z223.1, 1992 Section 5.3.

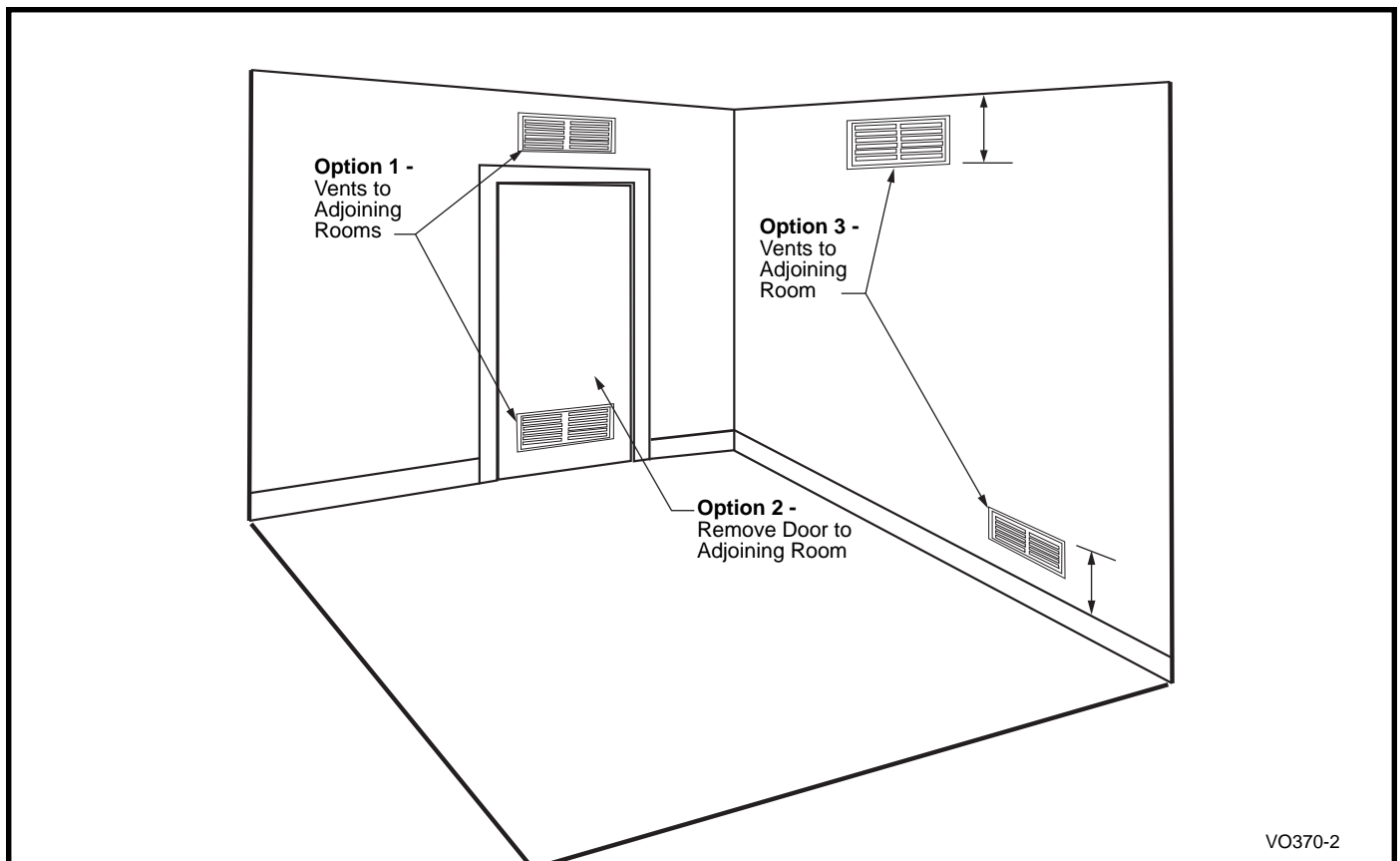


Fig. 5 Supplementing ventilation air.

Clearance Requirements

Minimum Clearances to Combustible Materials

Maintain clearance, (empty space), between combustible materials and the heater as specified.

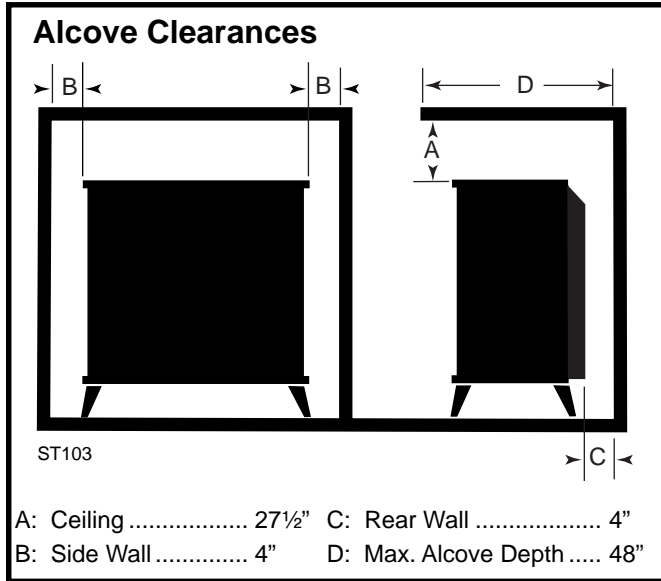


Fig. 6 Minimum wall clearances.

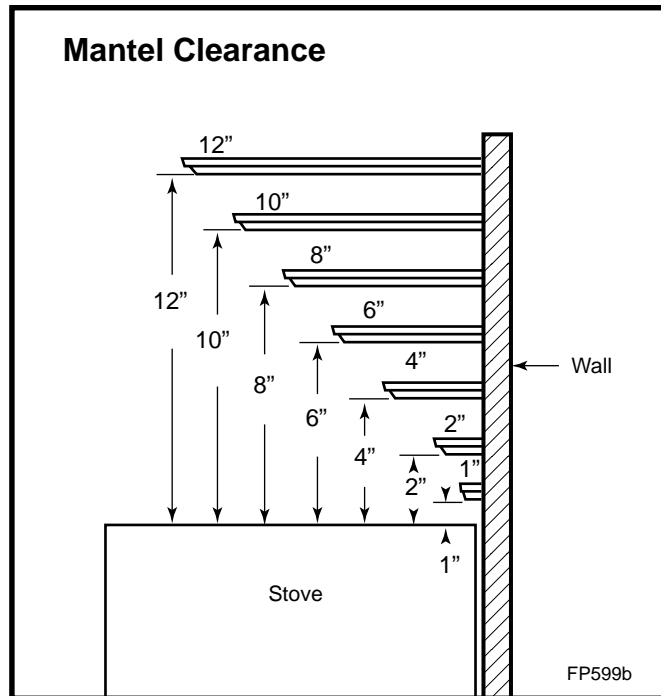


Fig. 7 Mantel clearance at 45°.

NOTE: Mantel clearances will apply to an alcove installation.

Hearth Requirements

The JUVS must be installed on rigid flooring. If the appliance is installed on any combustible surface other than wood flooring, such as carpet or tile, a metal or wood panel must be installed to extend the full length and width of the unit.

WARNING

- Do not install this heater in a bathroom or bedroom.
- Installation of this heater must conform with Local Codes or in the absence of Local Codes, with the National Fuel Gas Code, ANSI Z223.1.
- This heater creates warm air currents. These currents move heat to wall surfaces next to the heater. Installing the heater next to vinyl or cloth wall coverings or operating the heater where impurities in the air such as tobacco smoke exist, may discolor walls.
- Do not use a blower insert, heat exchanger insert or other accessory not approved with this heater.

Assembly Procedures

Optional Fan Kit Installation (2960/FK28)

1. Attach the fan to the rear shroud by engaging the upper flange of the fan skirt under the lower edge of the shroud and secure the skirt with the four screws and one star washer provided. (Fig. 8, 9)

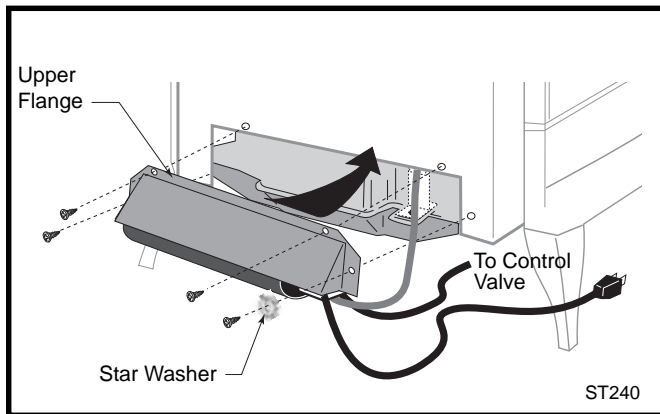


Fig. 8 Place upper flange behind lower edge of shroud.

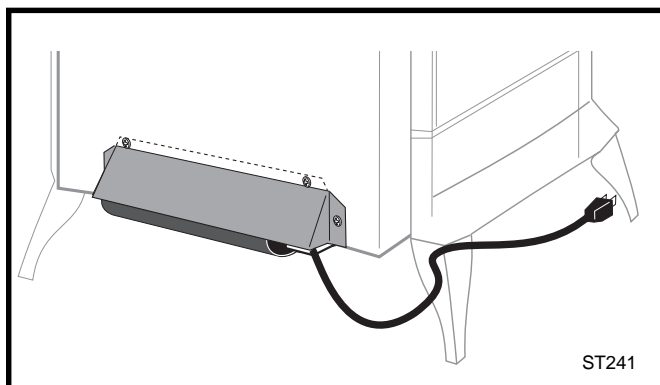


Fig. 9 Correct position of fan skirt installation.

2. Disconnect the snapstat module from the leads inside the snapstat bracket. (Fig. 10)
3. Bend open the snapstat bracket. use your fingers or needle nose pliers to remove the black plastic grommet from the bracket. Discard the grommet and bracket.
4. Secure the snapstat to the upper middle of the inner shroud. (Fig. 11) NOTE: The snapstat location may be reached through the front of the stove between the top and the firebox or you may loosen the four screws holding the rear shroud in place. Be sure to secure shroud back into place before operation.
5. Connect the two wires to the two snapstat extension leads attached to the inner shroud. You may coil excess wire up inside the rear shroud.

6. Route the rheostat control switch and wire forward under the stove. (Fig. 12) Use the wire tie to secure the fan and rheostat wire harnesses together to the tubing under the heater.

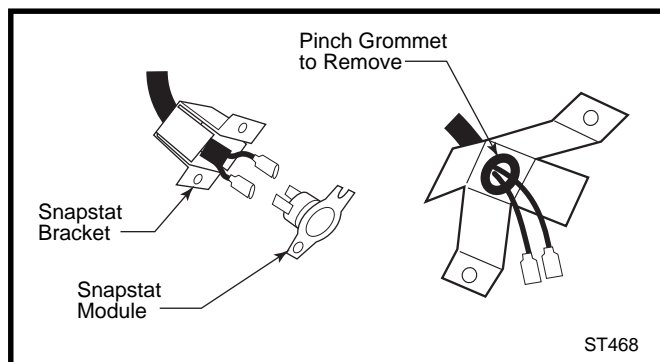


Fig. 10 Remove snapstat and grommet from bracket.

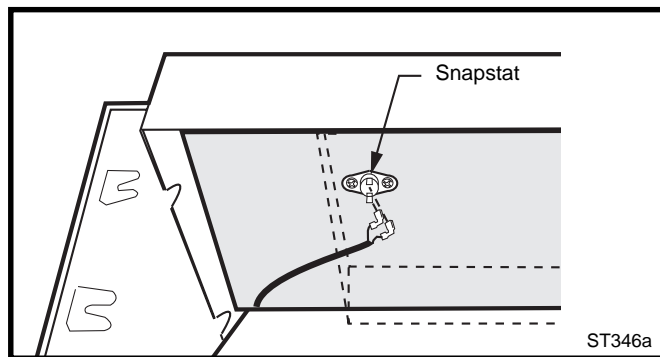


Fig. 11 Attach snapstat to inner shroud.

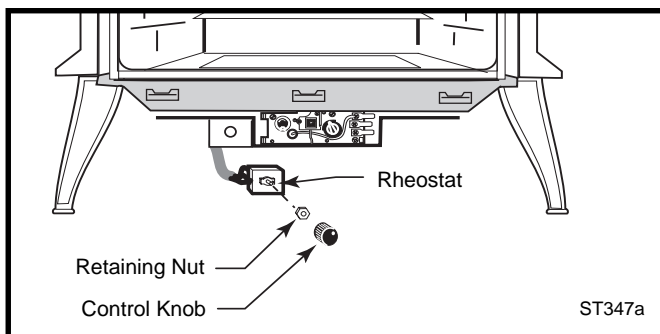


Fig. 12 Attach rheostat to control panel. Valve may look different.

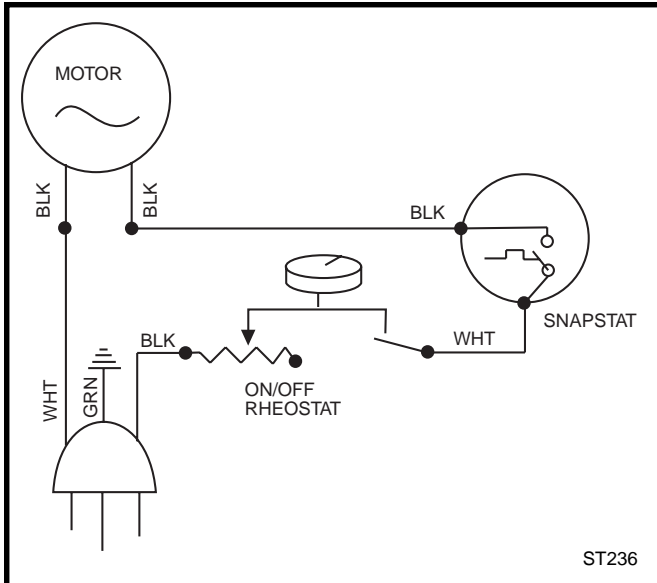


Fig. 13 Fan wiring diagram.

Connect the Gas Supply Line

Check the Rating Plate attached by a steel cable to the firebox, to confirm that you have the appropriate firebox for the type of fuel to be used.

This appliance should only be connected by a qualified gas technician. Test to confirm manifold pressures as specified below.

The Jefferson Heater and its individual shutoff valve must be disconnected from the gas supply piping during any pressure testing of that system at test pressures in excess of 1/2 psig (3.5 kPa).

The Jefferson Heater must be isolated from the gas supply piping system by closing its individual manual shutoff valve during any pressure testing of the gas supply piping system at test pressure equal to or less than 1/2 psig.

There must be a gas shutoff between the stove and the supply.

In order to connect Natural Gas, use a fitting with 3/8" NPT nipple on the valve side and 1/2" natural gas supply line with an input of 28,000 BTUs at a manifold pressure of 3.5" and minimum inlet supply for adjustment of 5.5" W.C.

In order to connect Propane, use a fitting with 3/8" NPT nipple on the valve side and 1/2" propane gas supply line with an input of 28,000 BTUs at a manifold pressure of 11.0" and minimum inlet supply for adjustment of 11.0" W.C.

Gas connection should be made in accordance with current National Fuel Gas Code, ANSI Z223.1. Since some municipalities have additional local codes, be sure to consult your local authority.

Connect the gas supply and test for leaks. Use a 50/50 solution of liquid soap and water to test for leaks at gas fittings and joints. **NEVER test with an open flame.** Light the pilot according to the directions on page 14, before going to the next step.

Install the Log Set

1. Remove the logs from their packaging, and inspect each piece for damage. **DO NOT INSTALL DAMAGED LOGS.**
2. Install the rear log (1) by centering it side to side on the sheet metal shelf at the back of the firebox. (Fig. 14)
3. Install the left (2) and right (3) middle logs by engaging holes on their bottoms with pins on the burner brackets. (Fig. 14)
4. Loosely sprinkle the lava rocks directly on top of the burner between the decorative grate and the middle logs. Do not place any ember material behind the middle logs. (Fig. 15)
5. Engage the upper log (4) with the right middle log as shown in Figure 15. Swing the top end toward the rear of the firebox and rest on notch on top of rear log. (Note: This log will touch the back of the firebox.) Engage the top log (5) with the upper log and the left middle log. (Fig. 15)

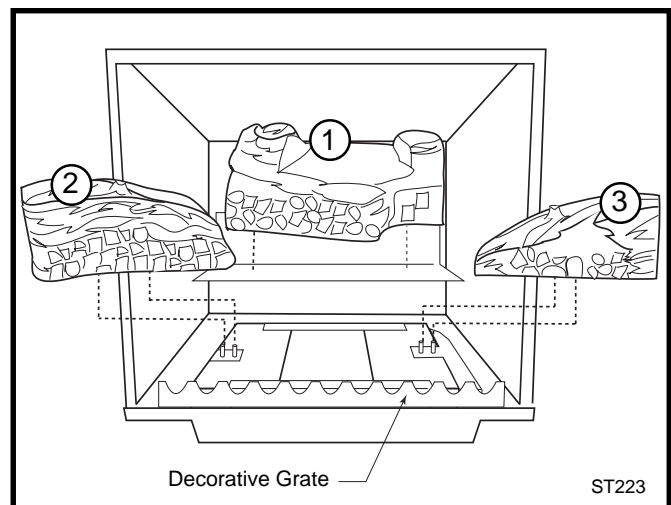


Fig. 14 Install back, left and right logs.

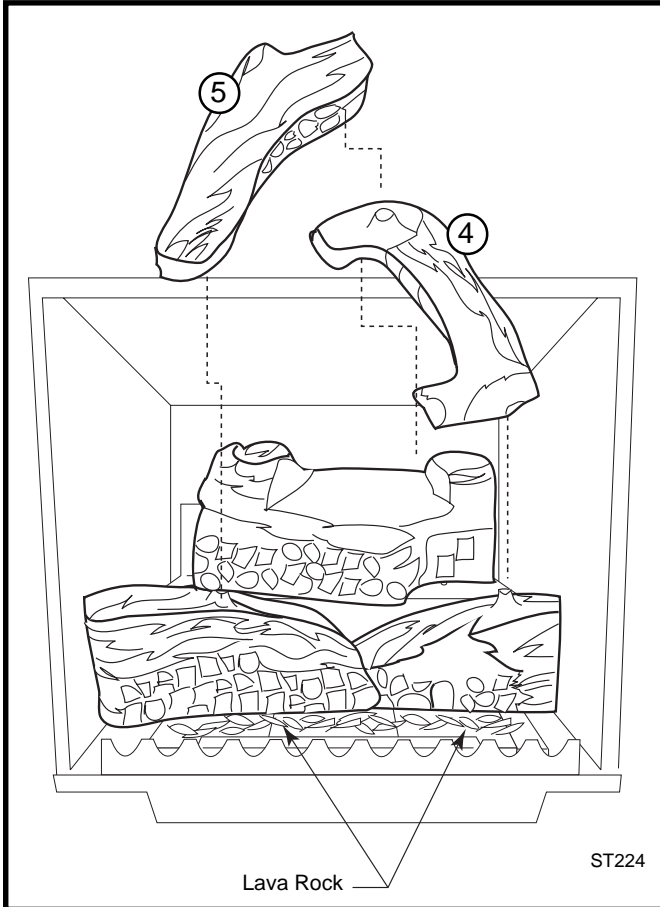


Fig. 15 Install lava rock and upper logs.

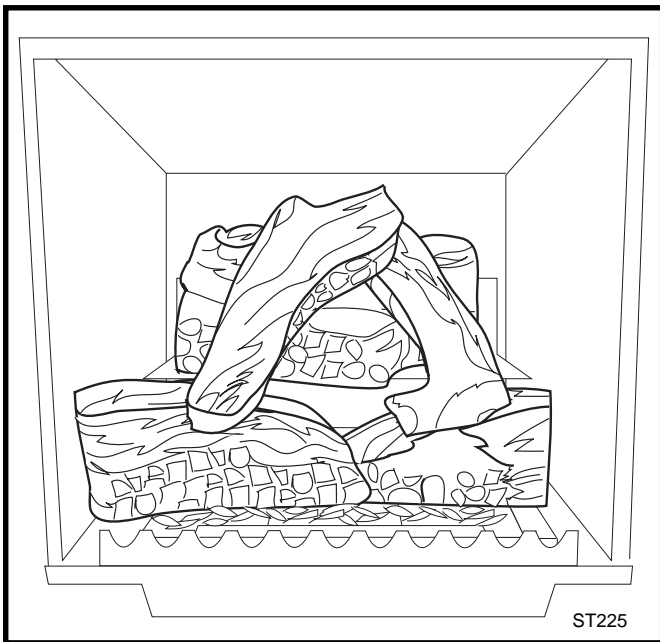


Fig. 16 Completed log installation.

Install ON/OFF Switch (R Models only)

The switch assembly parts are found in the parts bag.

1. Attach switch assembly to left rear side of stove shroud using two screws and existing holes in shroud. (Fig. 17)
2. Run wires down back of stove, under bottom of rear shroud to valve.
3. Attach wires to valve terminals. (Fig. 18)

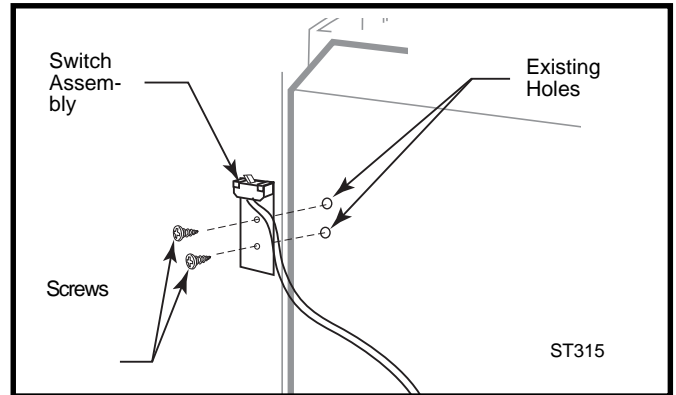


Fig. 17 Attach switch assembly to rear shroud.

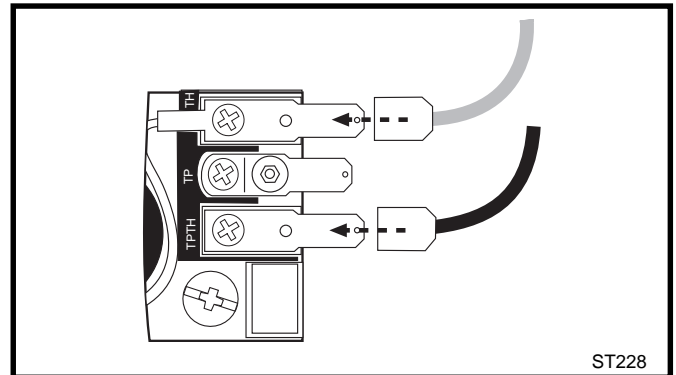


Fig. 18 Attach switch wires to valve.

Thermostat Connection (optional) (R Models only)

Use only a thermostat rated for 500 millivolts. Do not use low voltage (24V) thermostats.

Check the table below for the appropriate gauge thermostat wire to use for the length of lead required in your installation.

Thermostat Wire / Gauge	Maximum Run
18	40 feet
20	25 feet
22	16 feet

1. Install the wall thermostat in the desired location and run the wires to the stove location. Terminate these leads with 1/4" female connectors.
2. Connect the thermostat wires to the valve. (Fig. 18)

Operation

Your First Fire

Read these instructions carefully and familiarize yourself with the burner controls of this heater.

The JUVSR uses a Honeywell control valve that allows thermostatic, on/off switch regulation and has a separate Piezo ignition button. (Fig. 19 or 20)

The JUVSM is equipped with an SIT control valve for manual use only.

Locate the Pilot assembly to the right behind the burner. (Fig. 21) Follow the lighting instructions on page 14 exactly.

For the first fire, allow the stove to operate continuously for six hours without using the fan. During the first fire, it is not unusual to smell some odor associated with new logs, paint and metal being heated. Odors should dissipate within a few hours or so, however, you can open a window to provide plenty of fresh air to alleviate this condition.

Pilot and Burner Inspection

Each time you light your heater, check that the pilot flame and burner flame pattern are as shown in Figures 23 and 24. If flame patterns are incorrect, turn the heater off. See *Troubleshooting*, page 16.

Do not operate the heater until the pilot flame is correct.

Follow regular maintenance procedures as described on page 15.

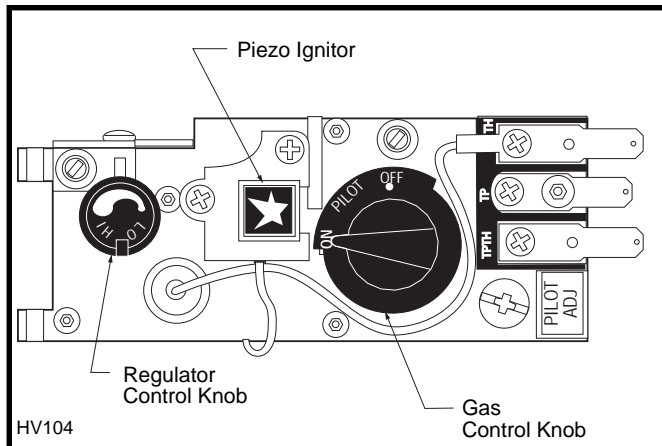


Fig. 19 Valve controls.

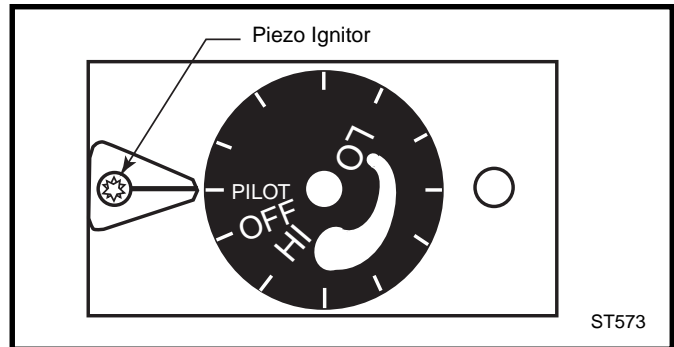


Fig. 20 SIT control valve.

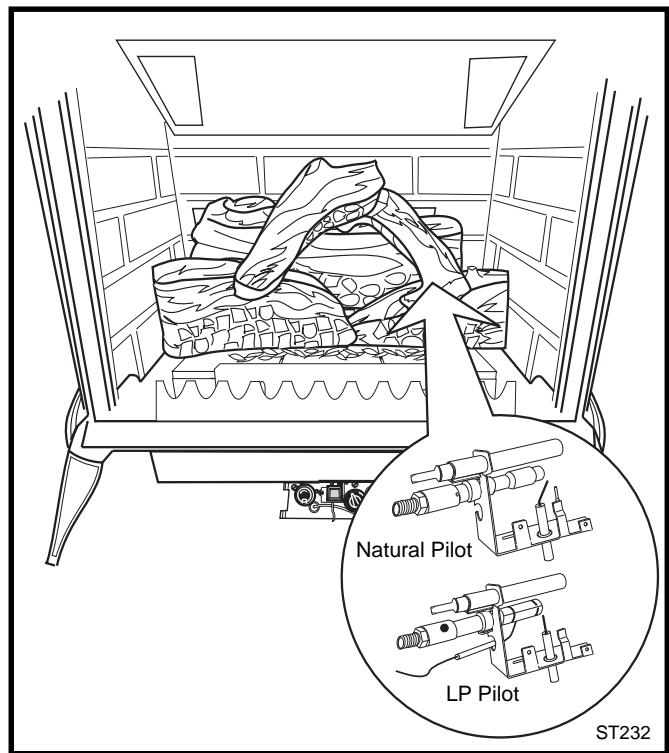


Fig. 21 Pilot assembly location.

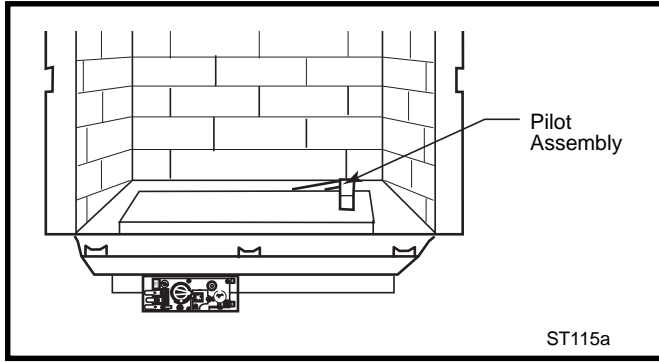


Fig. 22 Pilot Assembly Location

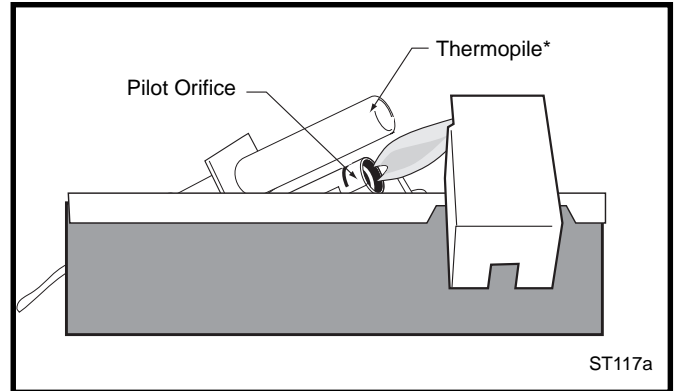


Fig. 24 Correct Pilot Flame. (*JUVSM pilots do not have Thermopile)

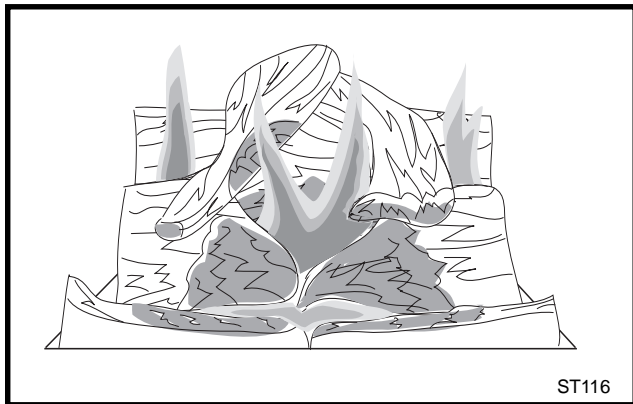


Fig. 23 Proper flame pattern with Regulator in HIGH position.

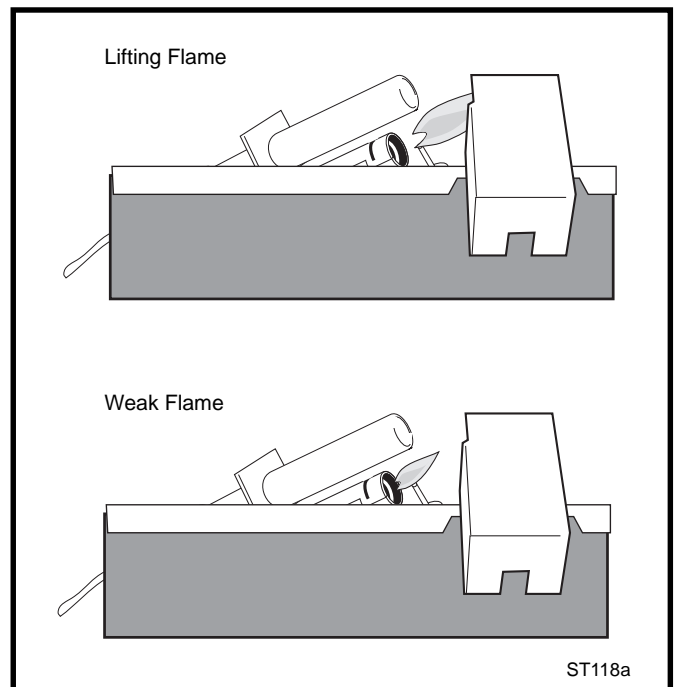


Fig. 25 Examples of Incorrect Pilot Flame.

Lighting And Operating Instructions

FOR YOUR SAFETY READ BEFORE LIGHTING

WARNING: If you do not follow these instructions exactly, a fire or explosion may result causing property damage, personal injury or loss of life.


- A. This heater has a pilot which must be lit manually. When lighting the pilot follow these instructions exactly.
- B. BEFORE LIGHTING smell all around the heater area for gas. Be sure to smell next to the floor because some gas is heavier than air and will settle on the floor.

WHAT TO DO IF YOU SMELL GAS

- Do not try to light any fireplace
- Do not touch any electric switch
- Do not use any phone in your building
- Immediately call your gas supplier from a neighbor's phone. Follow the gas supplier's instructions.

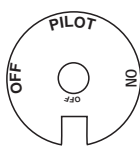
- If you cannot reach your gas supplier, call the Fire Department
- C. Use only your hand to push in or turn the gas control knob. Never use tools. If the knob will not push in or turn by hand, do not try to repair it, call a qualified service technician. Applying force or any attempted repair may result in a fire or explosion.
 - D. Do not use this fireplace if any part has been under water. Immediately call a qualified service technician to inspect the heater and to replace any part of the control system and any gas control which has been under water.

Lighting Instructions

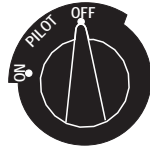
1. **STOP!** Read the safety information above.
2. Turn off all electrical power to the fireplace.
3. For MN/MP/TN/TP appliances ONLY, go on to Step 4. For RN/RP appliances turn the On/Off switch to "OFF" position or set thermostat to lowest level.
4. Open control access panel.
5. Push in gas control knob slightly and turn clockwise  to "OFF".




Euro SIT



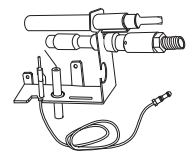
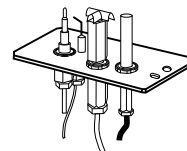
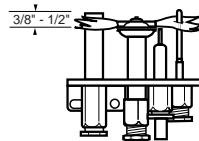
SIT NOVA



Honeywell


6. Wait five (5) minutes to clear out any gas. Then smell for gas, including near the floor. If you smell gas, STOP! Follow "B" in the safety information above. If you do not smell gas, go to the next step.
7. Remove glass door before lighting pilot. (See Glass Frame Removal section).
8. Visibly locate pilot by the main burner.
9. Turn knob on gas control counterclockwise  to "PILOT".

10. Push the control knob all the way in and hold. Immediately light the pilot by repeatedly depressing the piezo spark ignitor until a flame appears. Continue to hold the control knob in for about one (1) minute after the pilot is lit. Release knob and it will pop back up. Pilot should remain lit. If it goes out, repeat steps 5 through 8.



- If knob does not pop up when released, stop and immediately call your service technician or gas supplier.
 - If after several tries, the pilot will not stay lit, turn the gas control knob to "OFF" and call your service technician or gas supplier.
11. Replace glass door.
 12. Turn gas control knob to "ON" position.
 13. For RN/RP appliances turn the On/Off switch to "ON" position or set thermostat to desired setting.
 14. Turn on all electrical power to the fireplace.

To Turn Off Gas To Heater

1. Turn the On/Off switch to Off position or set the thermostat to lowest setting.
2. Turn off all electric power to the fireplace if service is to be performed.
3. Open control access panel.
4. Push in gas control knob slightly and turn clockwise  to "OFF". Do not force.
5. Close control access panel.

Maintenance

The following procedures will help ensure that your stove continues to perform safely and efficiently.

Firebox Cleaning and Inspection

Cleanliness is critical to correct operation of the heater. The log set, burner, valve controls and air circulation areas must all be kept free of dust and unobstructed by debris. Inspect these areas before each use and clean whenever accumulation is evident. Follow the simple procedure outlined below.

Frequent cleaning may be necessary in living environments subject to excessive carpet lint or pet hair. For example, if you live with a dog that sheds continuously, you will need to inspect the burner area frequently and clean it as often as the accumulation requires. In extreme conditions, it may be necessary to clean the burner and log set monthly or bi-weekly.

This appliance should be inspected and thoroughly cleaned annually by a qualified gas technician.

Cleaning Procedure

1. Turn the burner OFF and let the heater cool completely before cleaning.
2. Remove the safety screen. (Fig. 26)
3. Carefully inspect the log set for damage. Contact your local dealer if any damage is evident. **DO NOT OPERATE THE HEATER WITH A DAMAGED LOG SET.**
4. Use a soft-bristled brush vacuum attachment to sweep dust or debris from the log set, pilot and burner. Use care as the log set is fragile. Replace log set according to instructions on pages 10 - 11.
5. Replace the screen and Front Plate. **DO NOT OPERATE THE HEATER WITH THE SAFETY SCREEN REMOVED.**

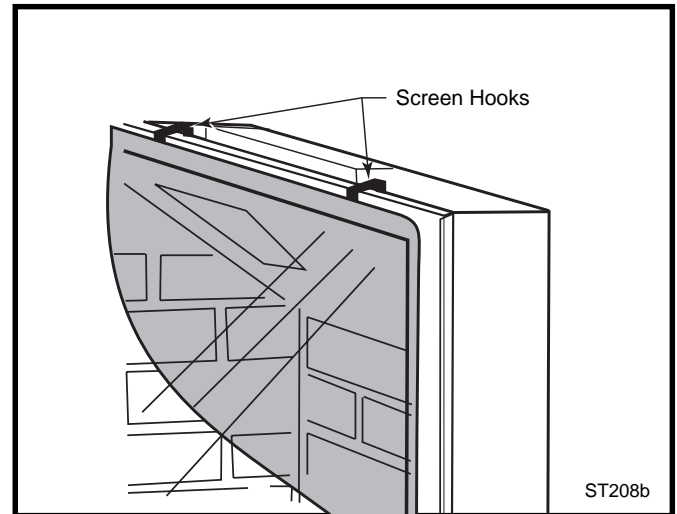


Fig. 26 Remove screen.

Care of Cast Iron

An occasional dusting with a dry rag will help keep the *painted surfaces* looking new.

Porcelain enamel surfaces should be cleaned with a soft damp cloth. Do not use abrasive cleaning agents. If necessary, use only a cleaning agent formulated specifically for use on porcelain enamel surfaces.

WARNING

Dust and debris accumulation can result in poor performance. Inspect the valve compartment, burner parts and log set frequently and clean these parts monthly or as often as accumulation warrants.

Troubleshooting

Follow these procedures in the order presented.

WARNING

TURN OFF HEATER AND ALLOW TO COOL COMPLETELY BEFORE SERVICING.

CONDITION	POSSIBLE CAUSE	SOLUTION
No spark at pilot when Ignitor is operated.	<ol style="list-style-type: none"> 1. Ignition Electrode is disconnected from ignition wire, broken or incorrectly positioned. 2. Ignitor wire is broken. 3. Bad Piezo Ignitor. 	<ol style="list-style-type: none"> 1. Inspect and re-connect, replace or repair as necessary. 2. Replace wire. 3. Replace Piezo Ignitor.
The Ignitor Electrode sparks, but Pilot does not light.	<ol style="list-style-type: none"> 1. Gas supply is turned off or supply line shut-off valve is closed. 2. Control Knob is not in PILOT position. 3. Control Knob not pressed in while in PILOT position. 4. Air present in gas lines. 5. Inlet supply pressure is not within correct settings. 6. Other conditions that should be identified only by a qualified gas technician. 	<ol style="list-style-type: none"> 1. Turn on gas supply or open supply line shut-off valve. 2. Turn Control Knob to PILOT. 3. Press Control Knob in while in the PILOT position. 4. Continue holding in Control Knob and repeat ignition procedure until air is bled from the lines. 5. Call local gas supplier. Adjust inlet supply pressure to specification: NG; 5.5" w.c.-14.0"w.c. LP; 11.0" w.c.-14.0"w.c. 6. Call qualified gas technician.

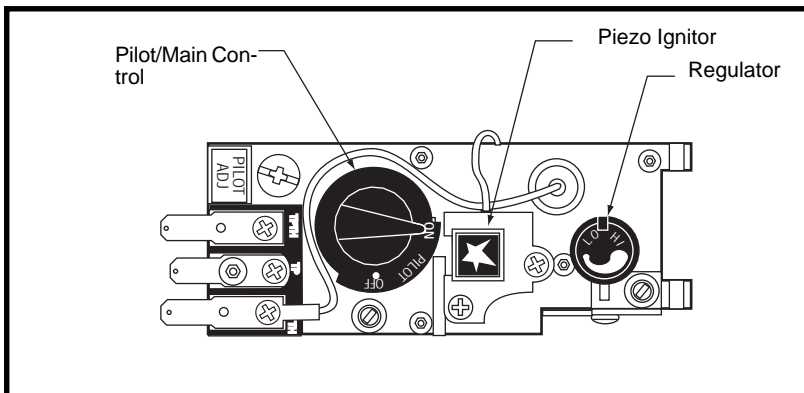


Fig. 27 JUVS Honeywell Control Valve Assembly.

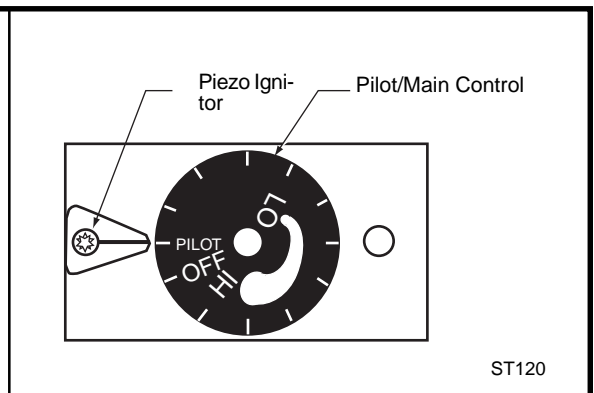


Fig. 28 JUVS SIT Control Valve Assembly.

Troubleshooting *cont'd.*

CONDITION

POSSIBLE CAUSE

SOLUTION

Pilot lights but flame goes out when Control Knob is released.

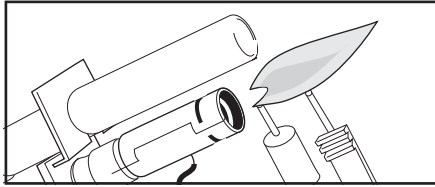


Fig. 29 Pilot flame is lifting.

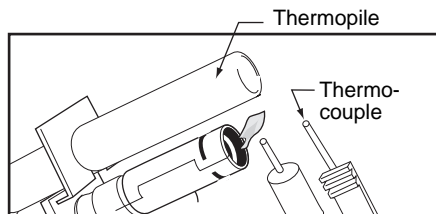


Fig. 30 Pilot flame is weak - does not touch Thermocouple.

1. Control Knob not fully depressed or held in long enough.
2. Gas supply line shut-off valve is not fully open.
3. Thermocouple connection is loose at the Control Valve.
4. Pilot flame does not touch the Thermocouple. (Figs. 29, 30)
This can be caused by:
A) Incorrect gas pressure, and/or
B) other conditions that should be identified only by a qualified service technician.
5. Thermocouple is damaged.
6. Control Valve is damaged.

1. Depress Control Knob fully and hold in for a full 30 seconds.
2. Fully open gas supply line shut-off valve.
3. Inspect and tighten securely.
4. A) Contact the local gas company. Inlet supply pressure should be 5" w.c.-8" w.c. for NG (5" w.c.-7" w.c. over 8000 ft. elevation) and 11" w.c.-12" w.c. for LP. Adjust as necessary.
B) Call local gas service technician.
5. Call local gas service technician.
6. Call local gas service technician.

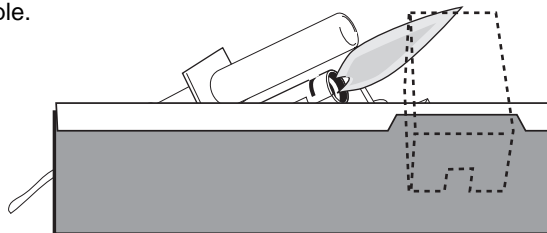


Fig. 31 Correct LP Pilot Flame.

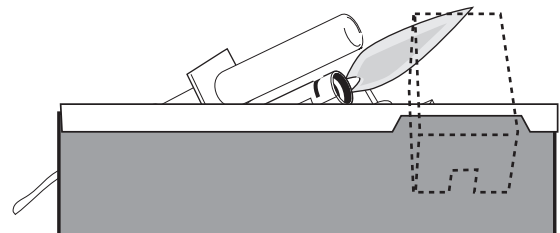


Fig. 32 Correct NG Pilot Flame.

Pilot lights but Main Burner does not.

1. Gas supply line shut-off valve is not fully open.
2. Foreign material is blocking Burner ports.
3. Main Burner orifice is clogged.
4. Thermostat or remote switch not activated on JUVS.
5. Bad Thermopile.

1. Fully open gas supply line shut-off valve.
2. Inspect and clear debris away from Burner ports.
3. Call local gas service technician.
4. Set thermostat to higher temperature or check remote switch.
5. Call local gas service technician.

Main Burner shuts off and Pilot flame goes out while in operation.

1. Insufficient fresh air.
2. Incorrect inlet supply pressure.

1. Determine that adequate ventilation exists to provide sufficient fresh air. Open a window or provide additional ventilation. (See Fresh Air Requirements, Pages 6-7)
2. Contact the local gas company. Adjust inlet supply pressure to specification: NG; 5" w.c.-8" w.c. (5" w.c.-7" w.c. at elevations over 8000 ft.) LP; 11" w.c.-12" w.c.

WARNING

If you smell gas:

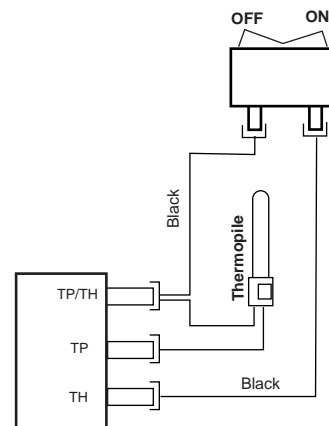
- Shut off gas supply
- Do not try to light any appliance.
- Do not touch any electrical switch; do not use any phone in your building.
- Immediately call your gas supplier from a neighbor's phone. Follow gas supplier's instructions.
- If you cannot reach your gas supplier, call the fire department.

ODOR DURING OPERATION

Neither natural gas nor propane gas give off an odor when burned. The nature of a vent free combustion system, however, is such that odors may occasionally be produced during heater operation when impurities exist in the immediate area. Cleaning solutions, paint, solvents, cigarette smoke, candles, adhesives, new carpet or textiles, etc., all can create fumes. These fumes may mix with combustion air and can create odor. Such odors will disappear over time, however, the condition can be alleviated by opening a window or otherwise providing additional ventilation to the area.

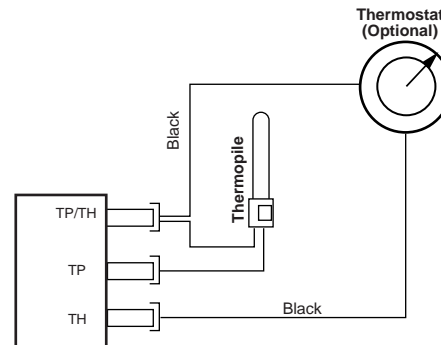
R Models Only

On/Off Switch Wiring

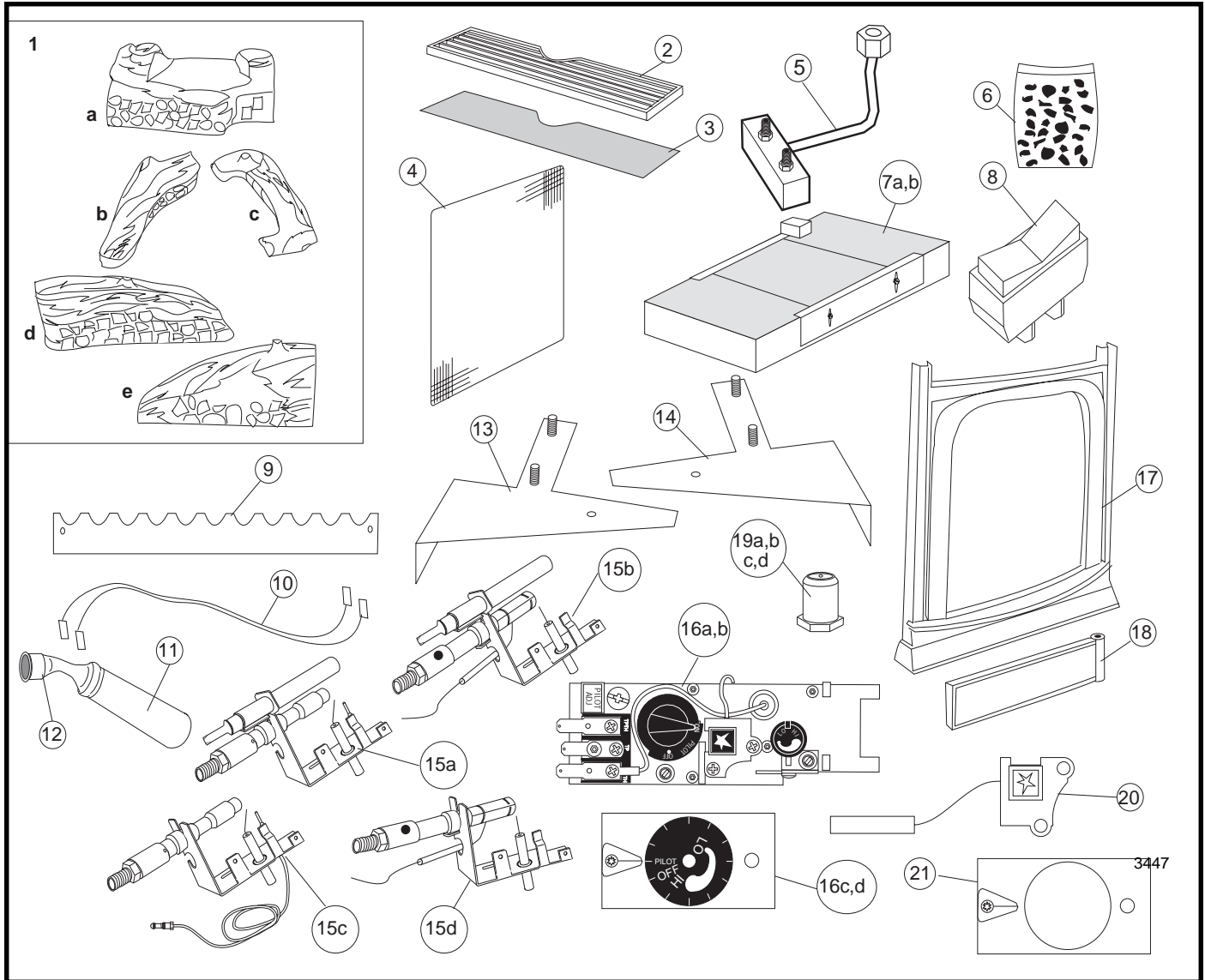


ST124b

Optional Thermostat Wiring



ST124c



The Vermont Castings Majestic Products Company reserves the right to make changes in design, materials, specifications, prices and discontinue colors and products at any time, without notice.

Jefferson Vent Free Gas Heater

Item/Model Number	Part Number
1. Log Set Complete	20003482
1a. Back Log	20003483
1b. Upper Left Log	20003487
1c. Upper Right Log	20003486
1d. Left Log	20003485
1e. Right Log	20003484
2. Grille	30000685
3. Screen	30000665
4. Screen Frame Assembly	20003438
5. Manifold Assembly	20003739
6. Small Lava Rock Package	57897
7a. Burner Assembly - NG	20003130
7b. Burner Assembly - LP	20003334
8. Switch ON/OFF	53606
9. Burner Decorative Grate	20003022

JUVS (continued)

Item/Model Number	Part Number
10. Wire Harness	57265
11. Handle Damper - Maplewood	1600664
12. Front Handle Assembly (Brass)	5004240
13. Right Log Bracket	20003019
14. Left Log Bracket	20003020
15a. OP Pilot (R Models) - Natural	0055464
15b. OP Pilot (R Models) - LP	0055465
15c. OP Pilot (M Models) - Natural	20004435
15d. OP Pilot (M Models) - LP	20001357
16a. Honeywell Valve - VS8421D2003 - Natural	10000235
16b. Honeywell Valve - VS8421D2011 - LP	10000242
16c. SIT Valve 630 - Natural	20001354
16d. SIT Valve 630 - LP	20001355
17. Stove Front	30000683
18. Control Door	30000686
19a. Front Orifice - LP	30000513
19b. Front Orifice - Natural	20000130
19c. Rear Orifice - LP	20000130
19d. Rear Orifice - Natural	30000512
20. Piezo Ignitor - Honeywell Valve System	20000062
21. Piezo Ignitor/Cover - SIT Valve System	51851

Warranty

Limited Three Year Warranty

The Vermont Castings, Majestic Products Company (Manufacturer) warrants that this Vent Free Gas Heater, Model JUV, will be free of defects in material and workmanship for a period of three years from the date you receive it, except that the ceramic logs shall be warranted for one year as described below.

The Manufacturer will repair or replace, at its option, any part found to be defective upon inspection by an Authorized Dealer. The customer must return the defective part or the stove, with shipping prepaid, to the Authorized Dealer or pay for any Authorized Dealer in-home travel fees or service charges for in-home repair work. It is the dealer's option whether the repair work will be done in the customer's home or in the dealer's shop. If, upon inspection, the damage is found to be the fault of the Manufacturer, repairs will be authorized at no charge to the customer for parts and/or labor.

Any Vent Free Gas Heater or part thereof that is repaired or replaced during the limited warranty period will be warranted for a period not to exceed the remaining terms of the original limited warranty or six (6) months, whichever is longer.

Limited One Year Warranty

The following parts of the Vent Free Gas Heater are warranted to be free of defects in material and workmanship for a period of one year from the date you receive it. These parts are the ceramic logs. Any of the logs found to be defective will be repaired or replaced at no charge, upon the return of said part to an Authorized Dealer with postage prepaid.

Exclusion and Limitations

1. This warranty is transferable; however, proof of original purchase is required.
2. The Manufacturer offers no warranty on chipping of enamel surfaces. Inspect your Vent Free Gas Heater prior to accepting it for any damage to the enamel.
3. This warranty does not cover misuse of the Vent Free Gas Heater as described in the Owner's Guide, nor does it cover a Vent Free Gas Heater that has been modified unless authorized by a Manufacturer's representative in writing.
4. This warranty does not cover a stove repaired by someone other than either an Authorized Dealer or an authorized, qualified gas agency.
5. Damage to the unit while in transit is not covered by this warranty but is subject to claim against the common carrier. Contact the Authorized Dealer from whom you purchased your Vent Free Gas Heater. (Do not operate the Vent Free Gas Heater as this may negate the ability to process the claim with the carrier.)
6. Claims are not valid where the installation does not conform to local building and fire codes or, in their absence, to the recommendations in the Owner's Guide.
7. The Manufacturer shall have no obligation to enhance or update any unit once manufactured.

IN NO EVENT SHALL THE MANUFACTURER BE LIABLE FOR INCIDENTAL AND CONSEQUENTIAL DAMAGES. ALL IMPLIED WARRANTIES, INCLUDING THE IMPLIED WARRANTIES OF MERCHANTABILITY AND FITNESS, ARE LIMITED TO THE DURATION OF THIS WRITTEN WARRANTY. THIS WARRANTY

SUPERSEDES ALL OTHER ORAL OR WRITTEN WARRANTIES.

Some states do not allow the exclusion or limitations of incidental or consequential damages or limitations on how long an implied warranty lasts, so the above limitations may not apply to you. This warranty gives you specific rights and you may have other rights which vary from state to state.

8. The salt air environment of coastal areas, or any high-humidity environment, can be corrosive to the porcelain enamel finish. These conditions can promote rusting of the cast iron beneath the porcelain enamel finish, which will cause the enamel to flake off. This warranty does not cover damage to the finish caused by a salt air or high-humidity environment.

How to Obtain Service

If a defect is noted within the warranty period, the customer should contact an Authorized Dealer with the following information:

1. Name, address and telephone number of purchaser.
2. Date of purchase.
3. Serial number from the label on the back of the stove.
4. Nature of the defect or damage.
5. Any relevant information or circumstances, i.e., installation, mode of operation when defect was noted.

A warranty claim process will then begin. The Manufacturer reserves the right to withhold final approval of a warranty claim pending a visual inspection of the defect by authorized representatives.

**INSTALLER:
Please record the following information
for future reference.**

Appliance Serial No. _____

Appliance Type: NG _____ LP _____

Inlet Supply Pressure: _____

Manifold Pressure: _____

Dealer: _____

Phone: _____

Installer: _____

Phone: _____

Date Installed: _____

The Vermont Castings
Majestic Products Company

410 Admiral Blvd. • Mississauga, Ontario, Canada L5T 2N6 • 905-670-7885
www.majesticproducts.com • www.vermontcastings.com