



8" LCD Monitor

# User's Manual

Version: V0.08c

## Introduction

### About this User's Manual

The object of this user's manual is to allow the user to understand the system quickly, operate the system correctly, and perform simple maintenance on the system.

### FCC Statement

This equipment has been tested and found to comply with the limits for a Class B digital device in accordance with the specifications in Part 15 of the FCC rules. These limits are designed to provide reasonable protection against radio frequency interference in a residential installation. This equipment can generate radiation, light and energy. This equipment may cause interference to radio communications if it is installed without referring to the user's manual. There is no guarantee that system failure will not occur in incorrect installation. If this equipment does cause interference to radio or television reception, please turn the equipment off and on again. The user is encouraged to try to correct the trouble by following the appropriate procedures or by consulting an experienced electronic technician for help.

### Safety Precautions

- ✧ Please read this User's Manual carefully.
- ✧ Please keep and follow all instructions.
- ✧ Please heed all warnings.
- ✧ Please use only the power adapter that came with the equipment. Unauthorized adapters or accessories from other sources may damage the equipment.
- ✧ Before turning on the equipment, please make sure that all the peripheral devices are installed correctly.
- ✧ Keep the equipment away from liquids while in use.
- ✧ Clean only with dry cloth.
- ✧ Keep the equipment away from direct sunlight or heat sources.
- ✧ Do not block any ventilation openings. Install in accordance with the manufacturer's instructions.
- ✧ Please mount the system in a stable fashion on a desk or in a rack to avoid injury to personnel or the system.
- ✧ Never place any object on the power cord nor route the power cord near foot traffic.
- ✧ Do not overload electrical power outlets; this can result in fire or electric shock.
- ✧ Never repair the equipment by yourself. The user may be exposed to hazard if the cover is removed.
- ✧ Unplug the power cord in case of the following situations:
  - ◆ The power cord is damaged.
  - ◆ Liquids are splashed on the system.
  - ◆ The system is dropped onto the ground or the chassis is damaged.
- ✧ If the system is damaged, please wrap it carefully for repair.
- ✧ Do not defeat the safety purpose of the polarized or grounding-type plug. A polarized plug has two blades with one wider than the other. A



grounding type plug has two blades and a third grounding prong. The wide blade or the third prong is provided for your safety. If the provided plug does not fit into your outlet, consult an electrician for replacement of the obsolete outlet.

- ✧ Unplug this apparatus during lightning storms or when unused for long periods of time.

### Warranty

If the LCD monitor is opened by any person, the warranty will be voided automatically. If the user has a question, please inform the sales representative to obtain technical support. If the user does not operate the equipment according to the instructions in the user's manual, or damages the system due to incorrect usage, the vendor will not take any responsibility for the damage.

## Important Safety Instructions

	WARNING	
	RISK OF ELECTRIC SHOCK DO NOT OPEN	
WARNING: To reduce the risk of electric shock, do not remove the front or back covers. No user-serviceable parts inside. Refer servicing to qualified service personnel only.		



The lightning flash with arrow-head within a triangle is intended to inform the user that parts inside the product are a risk of electric shock.



The exclamation point within a triangle is intended to tell the user that important operating and servicing instructions are explained.

<b>Part 1 Introduction .....</b>	<b>5</b>
<b>Check the Contents of the Package .....</b>	<b>5</b>
<b>Understand Each Part .....</b>	<b>5</b>
<b>Description of the Function Buttons.....</b>	<b>7</b>
Control Operation .....	7
OSD Menu.....	7
OSD Function Menu .....	8
<b>Part 2 Assembly of Accessories.....</b>	<b>8</b>
<b>Assembly Description.....</b>	<b>8</b>
Connecting the Monitors.....	8
Disassembly of the Support Stand.....	9
<b>Appendix.....</b>	<b>10</b>
<b>Product Dimensions .....</b>	<b>10</b>
<b>Specifications .....</b>	<b>10</b>

## Part 1 Introduction

This section describes the preparation before start up and the operation of the function buttons.

- “Understand the contents of the package.”
- “Understand each part.”
- “Understand the operation of the functions.”

### Check the Contents of the Package

The following list is used only for reference. Due to optional accessories, the contents of the package may be different. If a part is missing or is not contained in the package, please contact your sales representative. Please keep the unwrapped packaging materials for re-packing the product in case the product needs to be moved later on.

#### Parts List in Detail

- Main equipment x1
- Power cord x1
- User’s manual x1

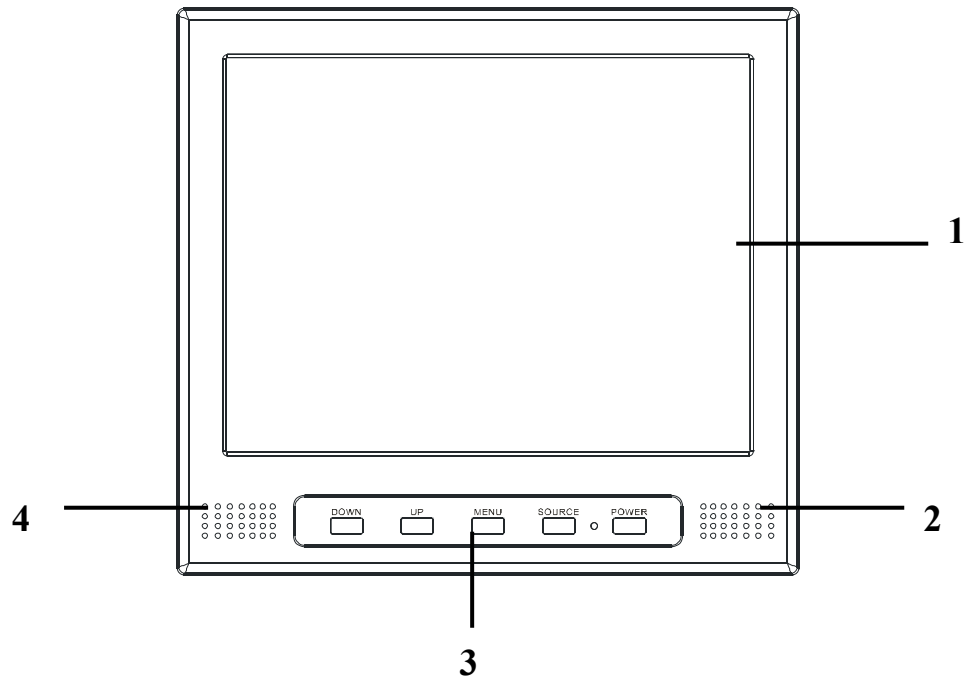
#### Optional Accessory

- Rack mount bracket x 1(including the central, left, and right rack mount bracket x 1, screws for the rack mount bracket x 10)

#### Understand Each Part

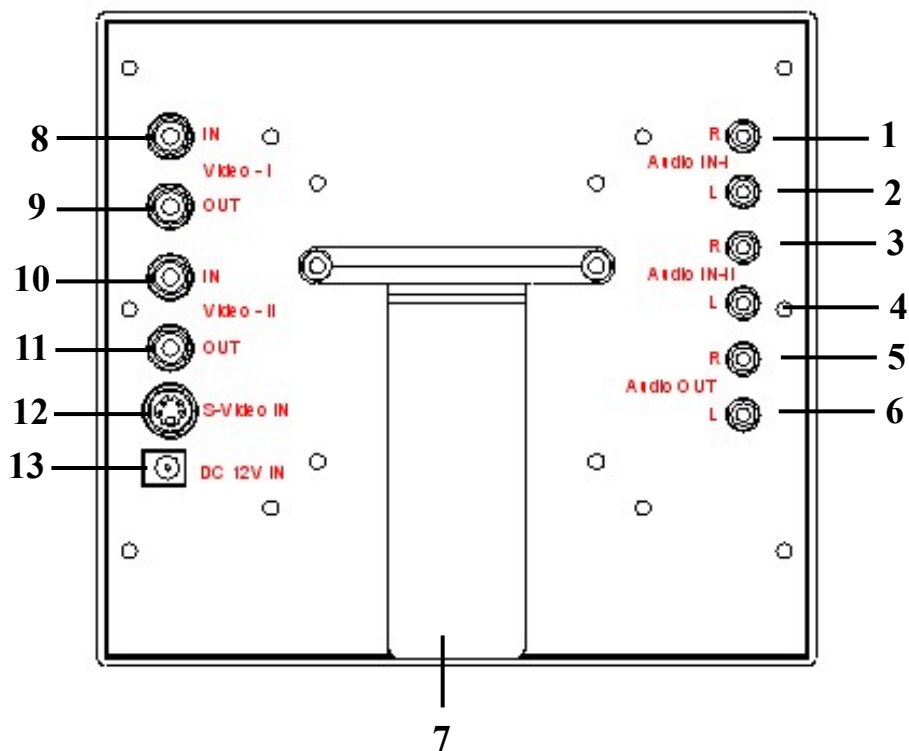
This section describes each part of the monitor.

## Overview of the Front Side of the Product



Description	
1	Monitor
2	Speaker Right
3	Function Buttons
4	Speaker Left

## Overview of the Rear Side of the Monitor



Description	
1	Audio 1, input terminal for the right channel (AUDIO 1 R IN)
2	Audio 1, input terminal for the left channel (AUDIO 1 L IN)
3	Audio 2, input terminal for the right channel (AUDIO 2 R IN)
4	Audio 2, input terminal for the left channel (AUDIO 2 L IN)
5	Audio output terminal for the right channel (AUDIO R OUT)
6	Audio output terminal for the left channel (AUDIO L OUT)
7	Support stand
8	Video 1 input terminal (VIDEO 1 IN )
9	Video 1 output terminal (VIDEO 1 OUT)
10	Video 2 input terminal (VIDEO 2 IN )
11	Video 2 output terminal (VIDEO 2 OUT)
12	Y/C color separation signal input terminal (S-VIDEO IN)
13	Power input connector (DC IN)

## Description of the Function Buttons

### Control Operation



POWER – Power on/off switch

SOURCE – Signal source switch

MENU – On-screen display of menu/confirm operation

UP – Move up/Increase (Turn the volume up )

DOWN – Move down/decrease(Turn the volume down)

### OSD Menu

1. LANGUAGE	—Language
2. CONTRAST	—Contrast
3. BRIGHTNESS	—Brightness
4. COLOR	—Color
5. TINT	—Tint
6. SHARPNESS	—Sharpness
7. RESET	—Reset

1. When the MENU button is pressed, the monitor will show the main menu.
2. Use the DOWN, UP buttons to move the cursor down/up. The currently selected item will be displayed in green text on a white background. After confirming that the desired item is selected, press the MENU button to enter the submenu for the selected item.

## OSD Function Menu

1. LANGUAGE	There are 11 languages available: English, Chinese(traditional), Chinese(simplified), Japanese, French, Spanish, Italian, German, Portuguese, Russian, and Czech.
2. CONTRAST	Adjusts the contrast of the monitor.
3. BRIGHTNESS	Adjusts the brightness of the monitor.
4. COLOR	Adjusts the color saturation of the monitor.
5. TINT	Adjusts the color tint of the monitor (for NTSC systems).
6. SHARPNESS	Adjusts the sharpness of the monitor.
7. RECALL	Reset to the default settings.

※ Note:

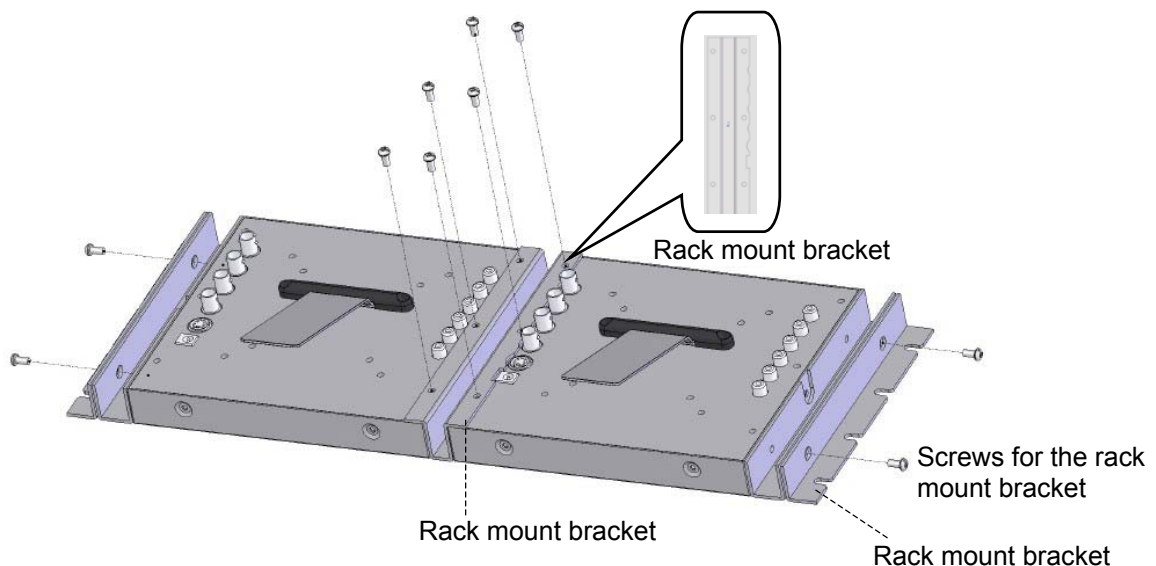
VOLUME: there is no menu associated with the volume control; just press the DOWN and UP buttons to adjust the sound volume.

## Part 2 Assembly of Accessories

This section describes how to assemble two monitors together.

### Assembly Description

#### Connecting the Monitors



- 1 Place the saw-shaped side of the rack mount bracket towards the BNC side for the monitor connection and then fasten the six screws for the rack mount brackets.
- 2 Install the rack mount brackets on the two sides of the monitor and then fasten two screws on each rack mount bracket.
- 3 The complete assembly is shown in Figure 1.



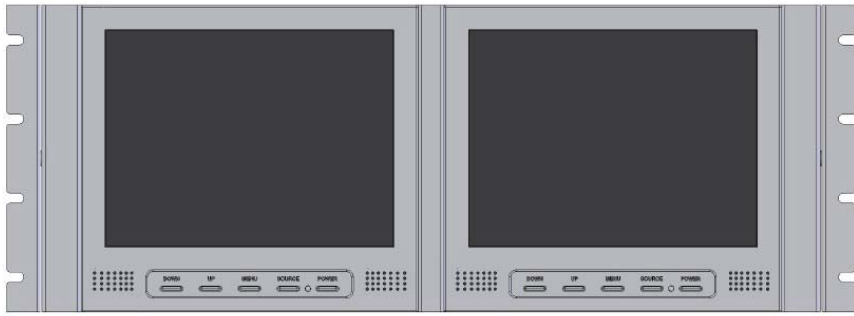
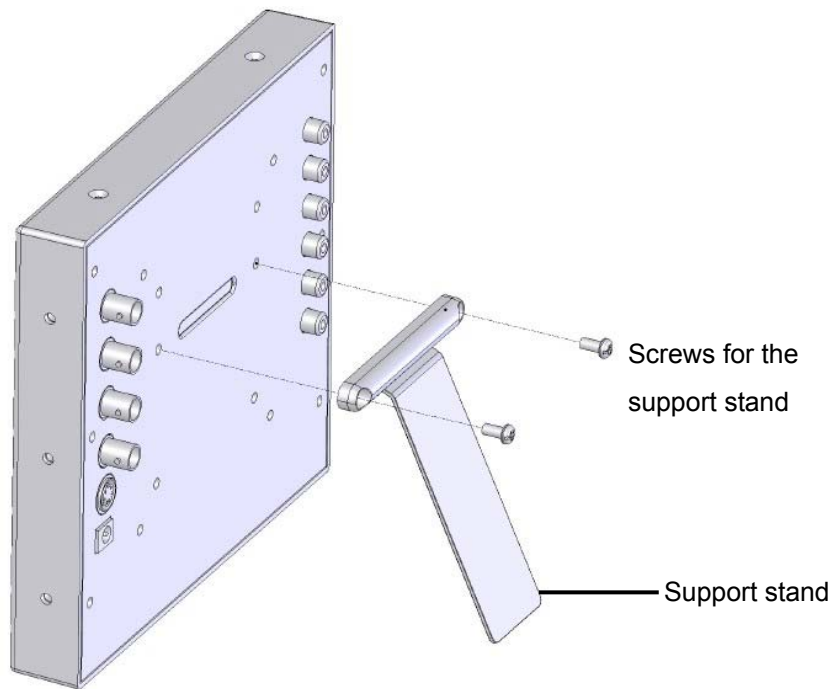


Figure 1

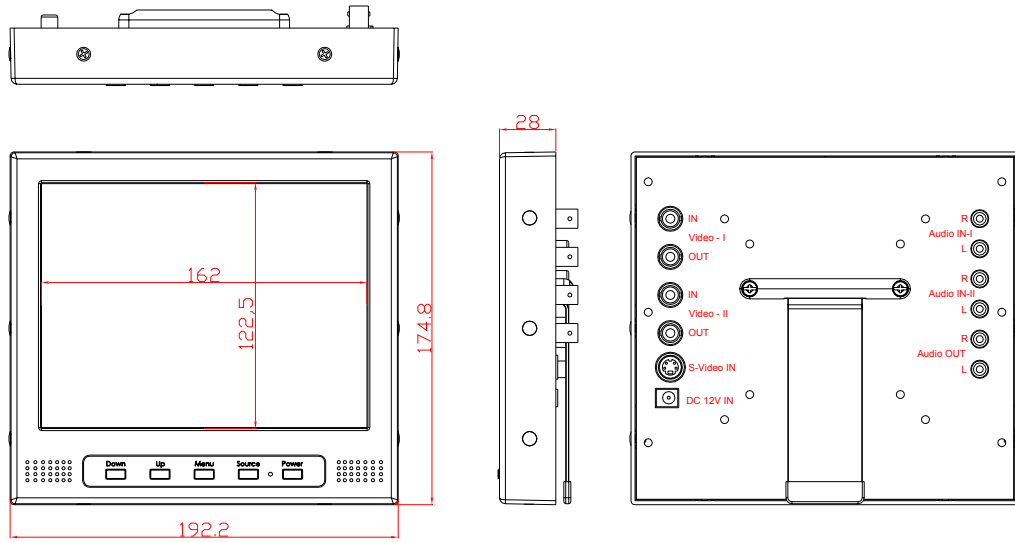
### Disassembly of the Support Stand

- 1 After removing the screws from the support stand, the support stand can be removed.



# Appendix

## Product Dimensions



## Specifications

Item	Specification
LCD Monitor	8" TFT LCD Monitor
Resolution	800mm(H) x 600mm(V)
Contrast	500
Brightness	300cd/m <sup>2</sup> (MIN.)
Response Time (Tr / Tf)	10 / 15ms(TYP.)
Viewing Angle Left/Right	70°/70°(MIN.)
Viewing Angle Up/Down	70°/70°(MIN.)
Input	2 x BNC Inputs (1.0Vp-p 75Ω) 1 x S-Video Inputs 1 x Audio Input (RCA Jack R,L)
Output	2 x BNC Outputs (2.0Vp-p 75Ω) 1 x Audio Output (RCA Jack R,L)
Operating Temperature	0°C~40°C
Storage Temperature	-10°C~60°C
Power Consumption	DC 12V/ 1.5A; 18W
Dimensions	192.2(W) x 174.8(H) x 28(D)mm
Dimensions of the Inner Box	280(L) x 244(W) x 97(H)
Weight	Net weight:1000g Gross weight:1500g
Optional Accessories	Rack mount bracket

Specifications are subject to change without notice.