

# Mighty Charger with Portable Power Supply

## User Manual

Model:MC108

Package content: MIGHTY CHARGER, 1\*USB cable

### PLEASE READ AND SAVE!

## ALKALINE, NiCad, Ni-MH

LR03 AAA 1.5V,

LR6 AA 1.5V ALKALINE and RECHARGEABLE BATTERIES

### A SCIENTIFIC INNOVATION!

NOW YOU CAN:

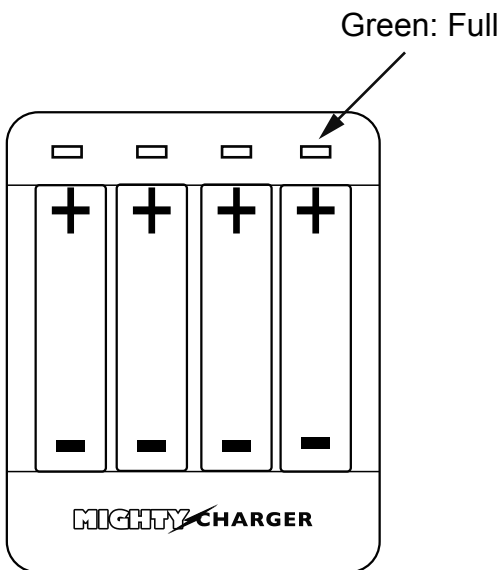
- Save money by recharging batteries and safely extending their useful life.
- Keep batteries fresh and ready to provide power.
- Lower the amount of batteries entering landfills and their impact on our environment.

### CHARACTERISTIC

- Mighty Charger is an eco-friendly charger that can repeatedly charge "non-rechargeable batteries".
- Mighty Charger USB can also be used as a portable power supply that charges cellphones, MP4, MP5 and other digital products(normal power output of 4 AA alkaline batteries is 1500mAH).
- Mighty Charger is an intelligent charger incorporating "real-time detector chip" enabling it to adapt to different types of batteries: alkaline and NiCad, Ni-MH rechargeable batteries.
- With Mighty Charger, you can charge alkaline (from 2 to 6 hours) and NiCad, Ni-MH batteries (from 2 to 10 hours). Charging speed depends on the quality of batteries and on storage conditions at home.
- Mighty Charger charges batteries with a standard USB cable via USB port of desktop computers, laptops and other electrical equipment.

P 1/4

**Charging time:** Depending on the initial state of the batteries, it should take 2-6h for 1.5V alkaline batteries and 2-10h for NiCad, Ni-MH rechargeable batteries. Please note, alkaline batteries will not charge properly if they are too old or do not contain enough voltage.



P 1/4

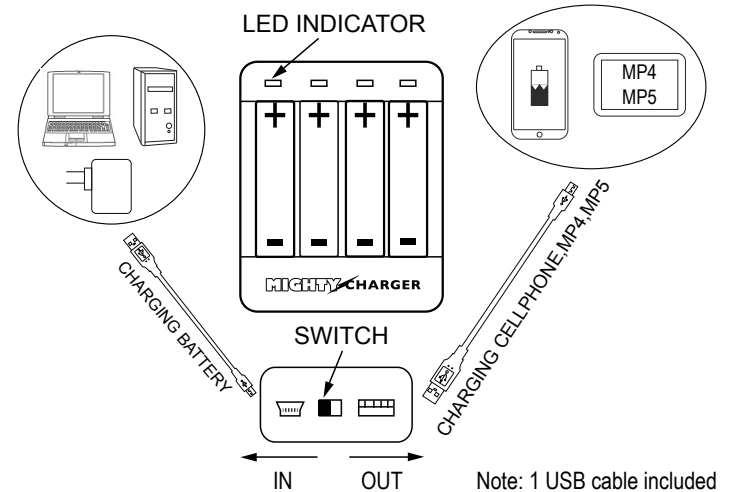
## HOW TO OPERATE

### Charging Function

1. Push the switch to "in" position, then Insert 1 to 4 AAA or AA 1.5V batteries side by side. Plug in your Mighty Charger to USB port with USB cable or plug into outlet with power adapter. 4 LEDs will illuminate for 0.5 seconds and then the corresponding green LEDs will blink for 5 seconds to detect power.
2. Blinking green LED indicates Mighty Charger is charging batteries.
3. When charging is completed, the green LED indicator will stop blinking and turn solid green. If green LED indicator(s) turn solid green when batteries are inserted, then batteries are holding a full charge and will not charge further.
4. When batteries are fully charged, unplug Mighty Charger and remove batteries.

### Pocket power supply Function

1. Push the switch to the "out" position, then Insert 4 AAA or AA 1.5V Alkaline or NiCad, Ni-MH rechargeable batteries that have been fully charged.
2. Connect the USB interface of cellphones and the USB port of MC108 with cellphone USB cable, then MC108 starts to charge your cellphone.



P 2/4

## IMPORTANT

Batteries no longer holding a charge or a minimal charge will not charge properly. Some alkaline batteries may charge faster than others.

Avoid recharging batteries that have not been used for 12 months or longer.

**WARNING: DO NOT CHARGE LEAKING OR CORRODED BATTERIES. DO NOT CHARGE LITHIUM BATTERIES.**

For best results, store batteries and charger properly. Keep your Mighty charger in a dry place when you are not using it.

## 90 DAY LIMITED WARRANTY

This Mighty Charger is warranted against faulty material and/or workmanship for a period of 90 days from date of original purchase. The obligation of the manufacturer, under this warranty, is limited to servicing and replacing defective parts when the unit is returned to Harvest Direct, freight pre-paid during the warranty period. To obtain warranty repair, the purchase receipt should be returned with the product.

This warranty becomes void on any unit which has been tampered with, damaged by accident, or damaged otherwise by improper operation.

P 2/4