

**Metal waterproof access control system**  
**User Manual**



**Reading carefully before Install and use this manual**

## 1. Product Profile

The product is Contact-less inductive card Metal Password Access Controller. According to the model, respectively support EM, HID, MIFARE three cards. It is one of the most advanced stand alone access controller. It uses unique metal exterior design, Dexterity keyboard panel operation, Built-in high-grade microprocessors, Strong anti-interference ability, Safety and reliability is extremely high, can provide a powerful security for 2,000 users. It has strong functions, such as low power consumption, Luminous keyboard, independent passwords, wiegand output, the output short circuit protection, door magnetic alarm, prevent demolition alarm, exit button, the doorbell interface, level of security Settings, etc. widely used in home, office, residential area and other public places.

## 2. Features

Low power consumption: less than 30mA standby current

Luminous keyboard: the night can also operate keyboard

User capacity: support 2,000 users

Independent password: can use password which irrelevant with the card to open the door

User modification password: Users can revise the door password

Search speed: charge to open the door time less than 0.1 S.

Output short circuit protection: electric lock or alarm output circuit within 100  $\mu$ S when shut down automatically output

Wiegand output: With Wiegand output interface, Wg26 card number or Wg4 buttons output

Usable keyboard delete card number: After card is lost, usable keyboard delete card, Thoroughly eliminate safety lapses

The demolition alarm: Illegal dismantling machine, built-in alarm sound buzzer

The bell button and interface: key and circuit segregation, external any the doorbell.

## 3. Technical parameters

Work Voltage: DC9-28V

Static Current:  $\leq 30$ mA

Reading Range: 3~8cm

Capacity: 2000 users

Ambient Temperature:  $-45^{\circ}\text{C} \sim 60^{\circ}\text{C}$

Ambient Humidity: 10%~90%

Electricity lock output:  $\leq 3$ A

Alarm output:  $\leq 20$ A

Output short circuit protection time:  $\leq 100\mu\text{S}$

Open time: 0 ~ 99 seconds (adjustable)

Size: 120 \*56\*18mm

#### 4. Administrator operation

Restore factory settings:

Disconnect the power of the machine, press “#” key, at the same time connect the power for it, after the sound of “beep”, then loosen “#” key. It means initialization of machine successfully.

Note: restore factory Settings will not delete a user data

##### Enter administrator operation status:

Press [\*] [Administrator password] [#] Administrator the default password: 999999

##### 4.1 Modify administrator password:

Press [0] [The new password #] [Repeat the new password #]

Note: the administrator password for 6 ~ 8 random Numbers, please take good care.

##### 4.2 Add user:

###### 4.2.1 Continuous increase card:

Press [1] [Reading card] , [Reading card] , ... [#]

###### 4.2.2 Designated card No increase:

Press [1] [Eight card number #] , [Eight card number #] , ... [#]

Automatically increase, the user ID automatically generated by this machine, the range is 1 ~ 2000, and search from small to large.

###### 4.2.3 Designated ID No swipe card increase:

Press [1] [ID Number #] [Reading card] , [ID Number #] [Reading card] , ... [#]

###### 4.2.4 Designated ID No and card No increase:

Press [1] [ID Number #] [Eight card number #] , [ID Number #] [Eight card number #] , ... [#]

Note: input ID digits for 1-4 digits, The range is 1 ~ 2000, such as 1,01,001,0001 ID number all expressed 1.

Add card user will automatically generate a default password "1234", but this password can't open the door, only for a user to change a new password.

###### 4.2.5 Designated ID No and password increase:

Press [1] [ID No # password #] [ID No # Password #] ... [#]

Note: applicable to no card users, password and card unrelated, input digits for four, but not for "1234"

##### 4.3 Delete user

###### 4.3.1 Delete swipe card

Press [2] [Reading card] [Reading card] ... [#]

###### 4.3.2 Delete Designated card Number:

Press [2] [Eight card number #] , [Eight card number #] , ... [#]

###### 4.3.3 Delete Designated ID Number:

Press [2] [ID No #] [ID No #] ... [#]

###### 4.3.4 Delete all:

Press

#### 4.4 Door open method setting:

##### 4.4.1 Card open:

Press

##### 4.4.2 Card + Password open:

Press

##### 4.4.3 Card or Password open: (Factory default)

Press

#### 4.5 Unlock time setting:

Press



Note: The lock time range "0 to 99 seconds ", the factory default is 5 seconds

#### 4.6 Alarm time setting:

Press

Note: The alarm time range "0 to 3 minutes ", the factory default is 1 minute

#### 4.7 Magnetic Alarm Function setting:

##### 4.7.1 Shielding of the function (factory default):

Press    .

##### 4.7.2 Open the function:

Press

Open the function, two possibilities:

**4.7.2.1** If you open the door not closed properly, 1 minute, built-in buzzer alarm tone hair tips, door or turn off automatically after 1 minute.

**4.7.2.2** If normal unlock 20 seconds after the doors open, or door is forced open, external alarm and built-in buzzer alarm at the same time

#### 4.8 Security mode setting

##### 4.8.1 Normal mode (factory default)

Press

##### 4.8.2 Lock mode:

Press

That within ten minutes of continuous brush invalid card or enter the wrong password ten times, external alarm and built-in buzzer alarm at the same time

### 5. User operations

#### 5.1 User use card modify password:

Press

#### 5.2 User use ID No modify password

Press

Note: applicable to a card or without card users, if the user password is "1234", must use card to modify

### 5.3 Card open:

Reading card, Effective namely open

### 5.4 Password open:

Press User password #, Password right namely open

### 5.5 Card + Password open:

Reading card User password #, Card and password right namely open

## 6 Remove alarm operation

### 6.1 External alarm and built-in buzzer alarm at the same time

Swipe Valid card or press Administrator password#, Can remove alarm.

### 6.2 Close door alarm tips

Close the door, or swipe card Valid card, or Input administrator password#, Can remove alarm

## 7. Acousto-optic instructions

| Operation state  | Red Light     | Green Light | Buzzer      | Note                |
|------------------|---------------|-------------|-------------|---------------------|
| Standby          | Slow flashing | Off         |             |                     |
| Buttons          |               |             | Di          |                     |
| Success          | Off           | On          | Di—         |                     |
| Failure          |               |             | DiDiDi      |                     |
| Into programming | On            | Off         | Di—         | Indicator is orange |
| Set condition    | On            | On          |             |                     |
| Exit programming | Slow flash    | Off         | Di—         |                     |
| Unlock           | Off           | On          | Di—         |                     |
| Alarm            | Fast flashing | Off         | Alarm sound |                     |

## 8 Installation method, lead wire description and Cabling diagram

### 8.1 Installation method

8.1.1 On the wall of the aperture size machine on the pan is playing well with a hole, or installed 2 existing junction box plus connecting.(Figure 1)

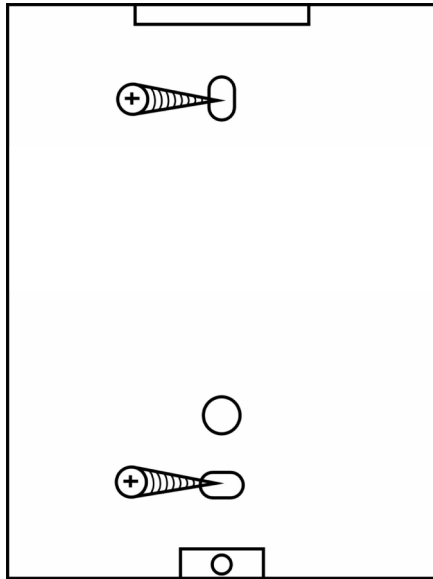


Figure1

**8.1.2** Put the lead wire from Bottom shell of the outlet hole out, he connection of cable needed, Unused lines wrapped with insulating tape isolated to prevent short circuit

**8.1.3** Finish line, Install the front cover to the back cover, Finally tighten the screws, Fixed the front cover and back cover.

## 8.2 Lead wire description

| Line sequence | Marks  | Color     | Function description  |
|---------------|--------|-----------|---|
| 1             | BELL_A | Pink      | Doorbell button one end   |
| 2             | BELL_B | Pale blue | The doorbell button to the other end                                |
| 3             | D0     | Green     | WG output line D0   |
| 4             | D1     | White     | WG output line D1   |
| 5             | ALARM  | Grey      | Alarm negative (alarm positive connected + 12 v)                    |
| 6             | OPEN   | Yellow    | Exit button one end (Exit button the other end connected GND)       |
| 7             | D_IN   | Brown     | Magnetic switch one end (magnetic switch another end connected GND) |
| 8             | DC+12V | Red       | Power supply 9-28V input (DC input+)                                |
| 9             | GND    | Black     | GND   |
| 10            | NO     | Blue      | Relay normally-on end (Connected positive electric lock +)          |
| 11            | COM    | Purple    | Relay Public end , Connected GND                                    |
| 12            | NC     | Orange    | Relay Closed end (connected negative electric lock +)               |

## 8.3 Cabling diagram

8. 3. 1 Ordinary power supply Cabling diagram

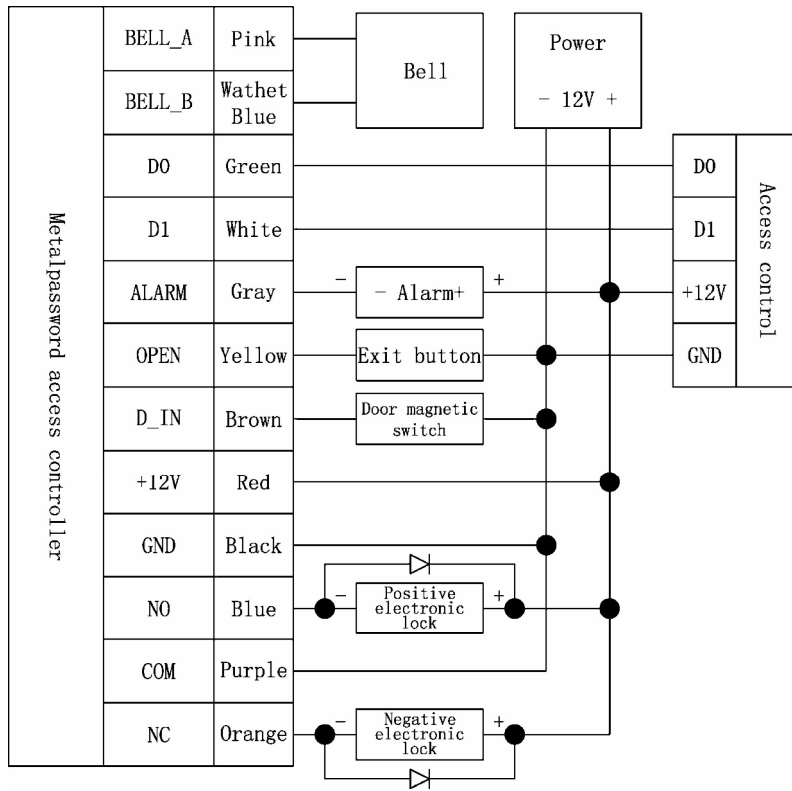


Figure 2 Ordinary power supply Cabling diagram

8. 3. 2 Access Control Power Supply Cabling diagram

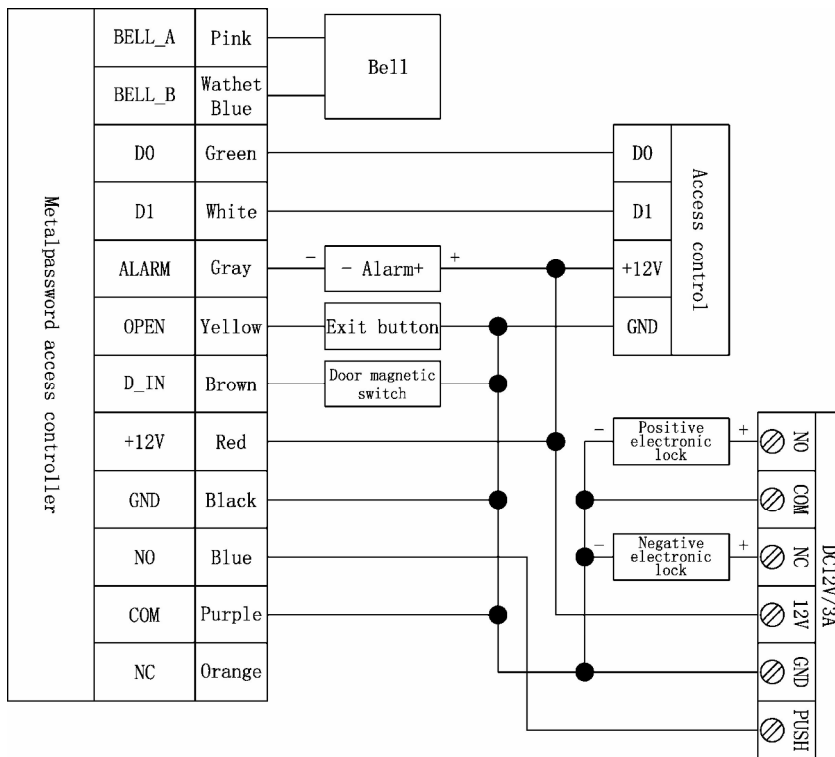


Figure 3 Access Control Power Supply Cabling diagram

## 9 Packing list

| Name                            | Model/specification | Quantity | Note  |
|---------------------------------|---------------------|----------|---|
| Metal waterproof access control | access control      | 1        |   |
| User manual                     | access control      | 1        |   |
| Tapping screws                  | Φ4mm×28 mm          | 4        | Used for installation fixed                             |
| Stopper                         | Φ6mm×30 mm          | 4        | Used for installation fixed                             |
| Star screwdriver                | Φ20mm×60mm          | 1        | Secial  |
| Star screws                     | Φ3mm×6mm            | 1        | Used between the front cover and back cover for a fixed |

### Warm Tip:

\* Please don't secretly repair machine, if any problem, please return to factory maintenance.

\* Before the installation on the wall, if you want to punch, please check carefully wiring or line tube, prevent drilling broken wiring etc unnecessary trouble, please use safe glasses when drilling or fixed line clip.

\* If product upgrades, specifications will likely differ, without prior notice.