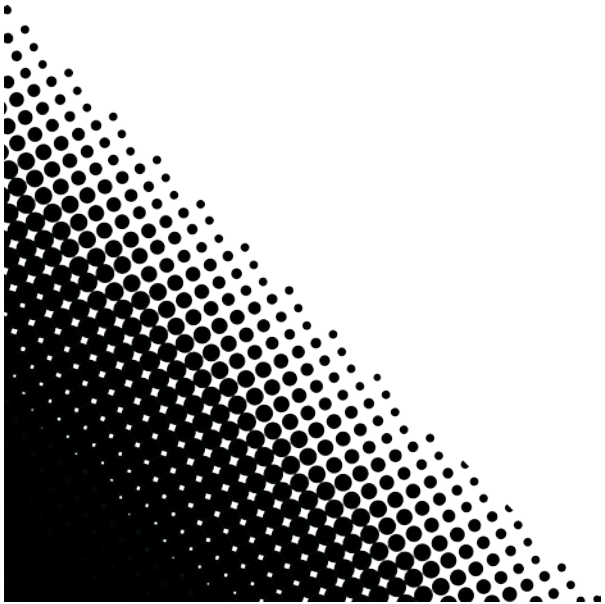
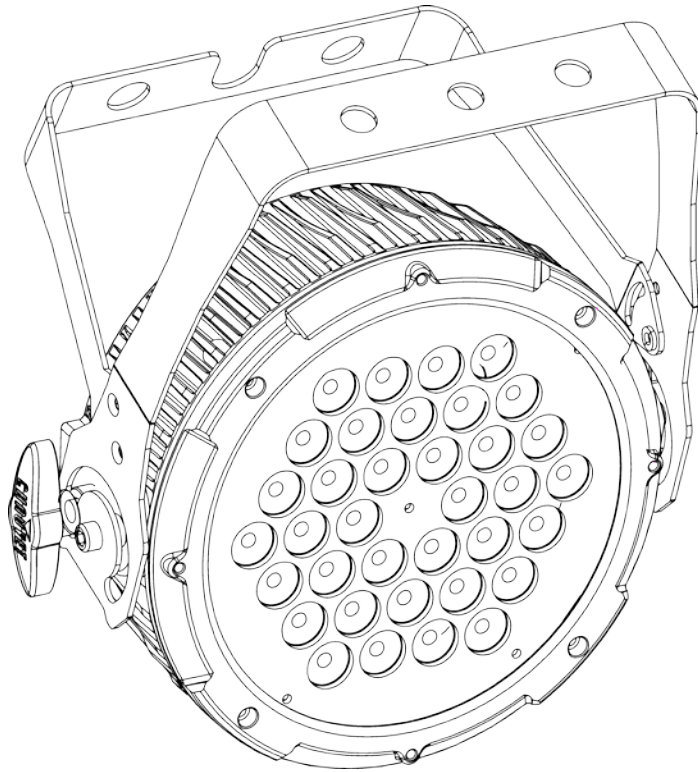


Slim**PAR™ PRO** VW

User Manual




CHAUVET®
Value • Innovation • Performance
It's
Green Thinking.

TABLE OF CONTENTS

1. BEFORE YOU BEGIN	3
WHAT IS INCLUDED.....	3
UNPACKING INSTRUCTIONS.....	3
MANUAL CONVENTIONS.....	3
ICONS.....	3
SAFETY INSTRUCTIONS.....	4
2. INTRODUCTION	5
PRODUCT OVERVIEW.....	6
3. SETUP	7
AC POWER.....	7
<i>Power Linking</i>	7
MOUNTING.....	8
<i>Orientation</i>	8
<i>Rigging</i>	8
LENS ASSEMBLY REPLACEMENT.....	9
4. OPERATING INSTRUCTIONS	10
CONFIGURING THE STARTING ADDRESS.....	10
CONTROL PANEL FUNCTIONS.....	10
MENU MAP.....	10
DMX OPERATION.....	11
MASTER/SLAVE MODE.....	11
STANDALONE.....	11
<i>Automatic</i>	11
<i>Color Temperature Preset</i>	11
<i>Custom Color Temperature</i>	11
DMX CHANNEL VALUES.....	12
<i>2-CH Mode</i>	12
<i>3-CH Mode</i>	12
<i>7-CH Mode</i>	12
MAINTENANCE.....	13
RETURNS.....	13
CLAIMS.....	13
TECHNICAL SPECIFICATIONS	14
CONTACT US	15

1. BEFORE YOU BEGIN

What is Included

- SlimPAR™ Pro VW
- Hanging bracket
- Gel Holder
- Power Cord
- Warranty Card
- Quick Reference Guide or User Manual

Unpacking Instructions

Immediately upon receiving a fixture, carefully unpack the carton, check the contents to ensure that all parts are present, and have been received in good condition. Notify the shipper immediately and retain packing material for inspection if any parts appear damaged from shipping or the carton itself shows signs of mishandling. Save the carton and all packing materials. In the event that a fixture must be returned to the factory, it is important that the fixture be returned in the original factory box and packing.




Manual Conventions

CHAUVET® manuals use the following conventions to differentiate certain types of information from the regular text.

CONVENTION	MEANING
[10]	A DIP switch to be configured
<Menu>	A key to be pressed on the fixture's control panel
1~512	A range of values
50/60	A set of values of which only one can be chosen
Settings	A menu option not to be modified (for example, showing the operating mode/current status)
MENU > Settings	A sequence of menu options to be followed
ON	A value to be entered or selected

Icons

This manual uses the following icons to indicate information that requires special attention on the part of the user.

ICONS	MEANING
	This paragraph contains critical installation, configuration or operation information. Failure to comply with this information may render the fixture partially or completely inoperative, cause damage to the fixture or cause harm to the user.
	This paragraph contains important installation or configuration information. Failure to comply with this information may prevent the fixture from functioning correctly.
	Useful information.

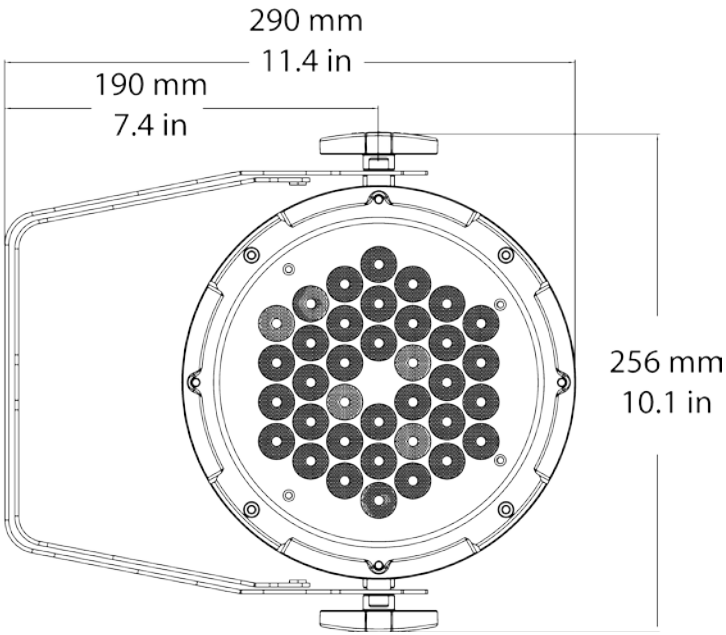
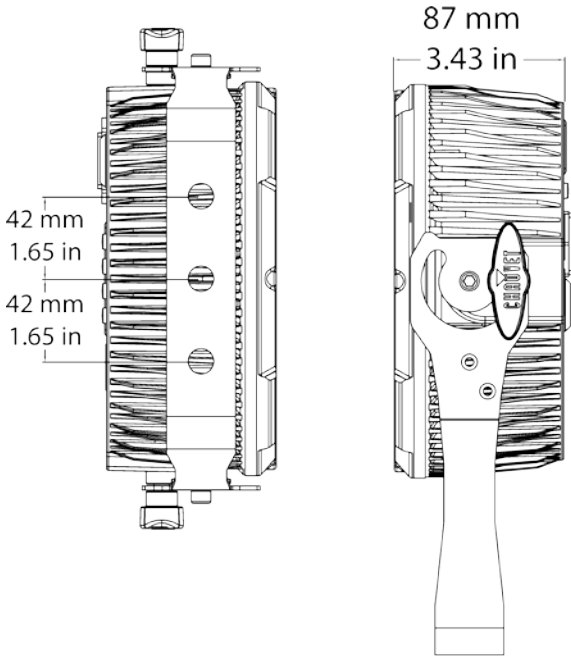
Safety Notes



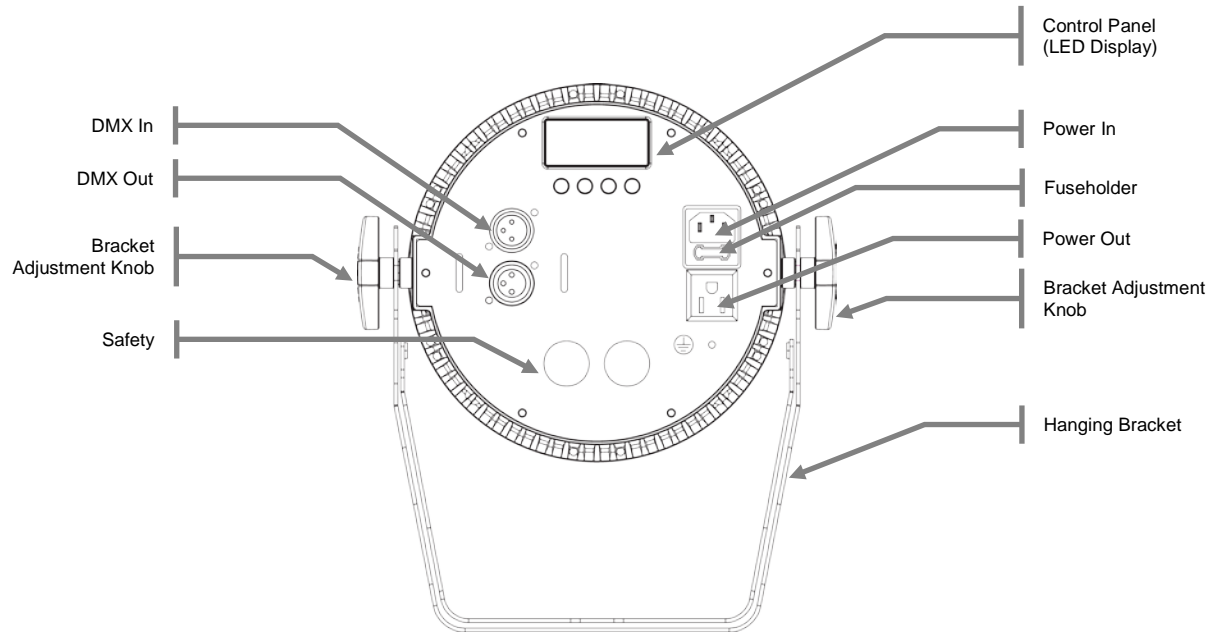
Please read these instructions carefully. It includes important information about the installation, usage and maintenance of this product.

- Please keep this User Manual for future consultation. If you sell the unit to another user, be sure that they also receive this instruction booklet.
- Always make sure that you are connecting to the proper voltage, and that the line voltage you are connecting to is not higher than that stated on the decal or rear panel of the fixture.
- This product is intended for indoor use only! To prevent risk of fire or shock, do not expose fixture to rain or moisture.
- Make sure there are no flammable materials close to the unit while operating.
- The unit must be installed in a location with adequate ventilation, at least 20 in (50 cm) from adjacent surfaces. Be sure that no ventilation slots are blocked.
- Always disconnect from power source before servicing or replacing fuse and be sure to replace with same fuse source.
- Secure fixture to fastening device using a safety chain.
- Maximum ambient temperature (Ta) is 104° F (40° C). Do not operate fixture at temperatures higher than this.
- In the event of a serious operating problem, stop using the unit immediately. Never try to repair the unit by yourself. Repairs carried out by unskilled people can lead to damage or malfunction. Please contact the nearest authorized technical assistance center.
- Never connect the device to a dimmer pack.
- Make sure the power cord is never crimped or damaged.
- Never disconnect the power cord by pulling or tugging on the cord.
- Never carry the fixture directly from the cord. Always use the hanging/mounting bracket.
- Avoid direct eye exposure to the light source while it is on.

2. INTRODUCTION



Product Overview



3. SETUP

AC Power

This fixture is auto-ranging and runs on 100~240 VAC, 50/60 Hz power.

To determine the power requirements for a particular fixture, see the label affixed to the back plate of the fixture or refer to the fixture's specifications chart. A fixture's listed current rating indicates its average current draw under normal conditions.



Always connect the fixture to a switched circuit. Never connect the fixture to a rheostat (variable resistor) or dimmer circuit, even if the rheostat or dimmer channel is used only as a 0 to 100% switch.



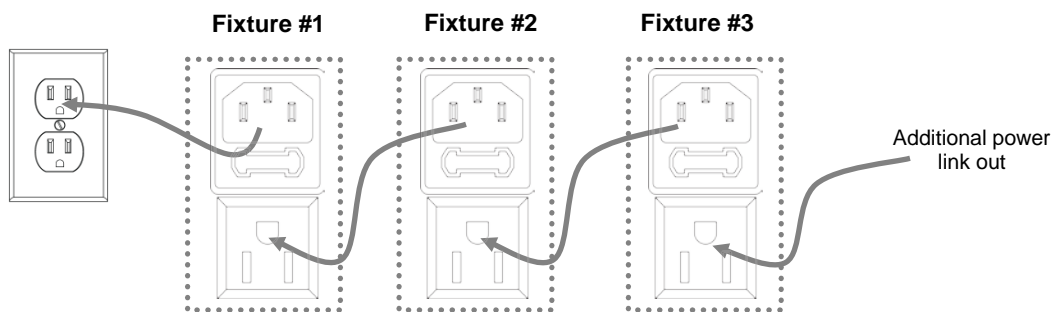
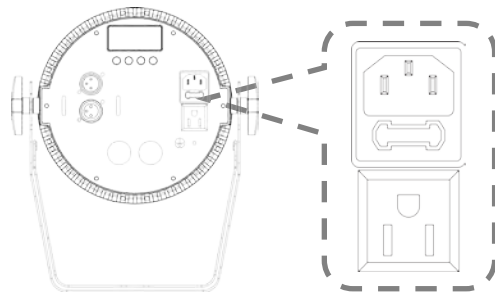
Always connect the fixture to a circuit with a suitable electrical ground.

Power Linking

This fixture contains power linking via the Edison outlet located in front of the power input cable. Please see the diagram below for further explanation.



The maximum quantity of SlimPAR™ Pro VW that may be linked is 22.



The power linking shown in this document is for the CHAUVET® North American version ONLY! Therefore, it is the customer's responsibility to check with the Dealer/Distributor regarding power linking on the local version of the product. Connections and availability may change, depending on the power requirements and/or regulations of each country/region.

Mounting

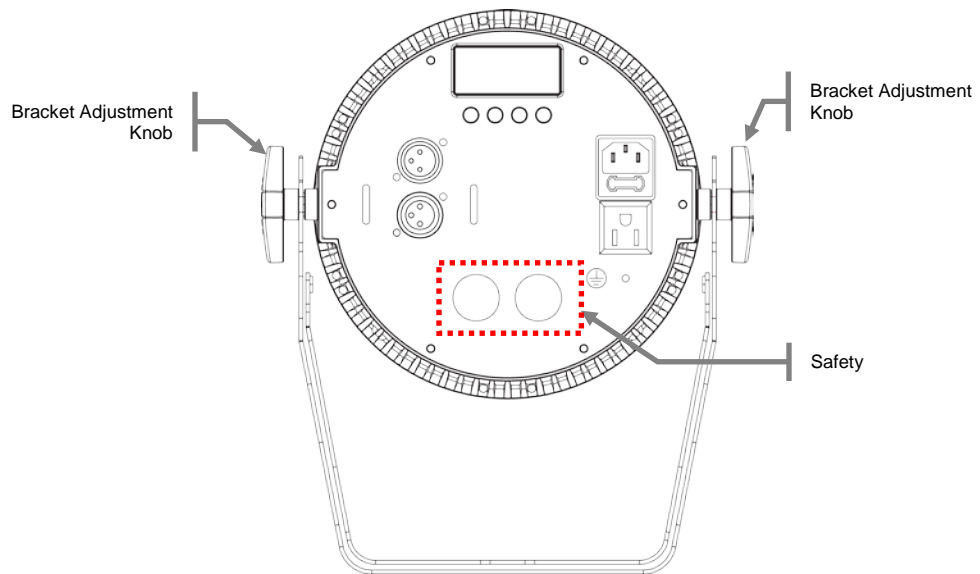
Orientation

The SlimPAR™ Pro VW may be mounted in any position provided there is adequate room for ventilation.

Rigging

Be sure that the structure can support the weight of the fixture. Please see the "Technical Specifications" section of this manual for a detailed weight listing. Mount the fixture securely. This may be done with a screw, nut and bolt, or a hanging clamp. The hole in each bracket is 13 mm in size. When rigging, consider routine maintenance and control panel access. Please see the following notes on installation.

- If the power link out is intended to be used with multiple fixture, take into account the length of each power cable, and mount the fixtures close enough to one another to accommodate for this.
- When aiming the fixtures, you may use the bracket adjustment knob(s). Loosen the knob(s), adjust to the desired angle, and then tighten the knob(s) by turning clockwise. Do not use tools for this step, as it may cause damage.
- Use the rubber feet to support the fixture in a sitting position.
- Safety cables must always be used.

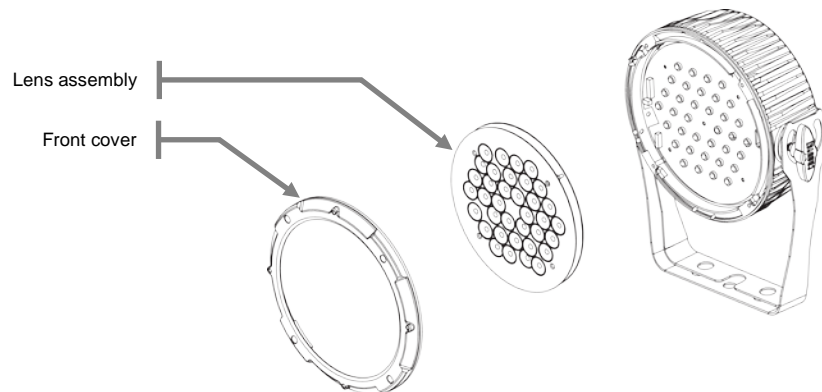
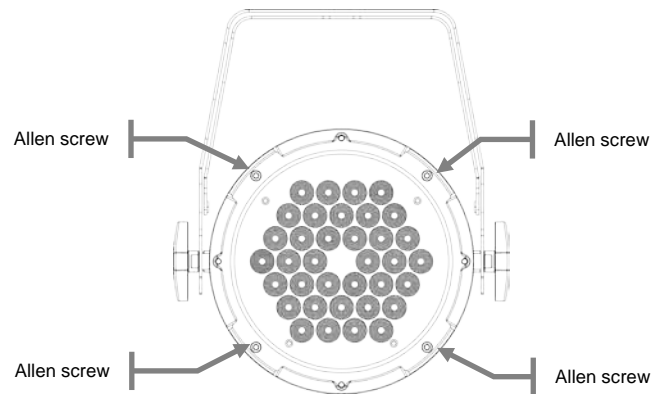


Lens Assembly Replacement

The SlimPAR™ Pro VW has an option available to replace the secondary LED optics, or lens assembly. This will alter the beam and field angles of the fixture. The wide-angle lens assembly is installed at the factory. The narrow lens (15°) assembly is available as an optional accessory (SPPVWLENS17).

To replace the lens assembly in the SlimPAR™ Pro VW:

1. Remove the four Allen screws from the front trim ring with a #3 metric Allen wrench.
2. Remove the front cover (with glass still attached to the ring).
3. You now have access to the lens assembly. Use a Philips-head screwdriver to remove the five screws that hold it in place.
4. Carefully remove the lens assembly. The LEDs and board will now be exposed. Use caution to prevent damage.
5. Place the new lens assembly in the fixture and reinstall the five Philips screws. Tighten screws as simultaneously as possible to the same tension. Do not over-tighten the screws as this could cause damage.
6. Put the front cover in place and reinstall the five Allen screws.



4. OPERATING INSTRUCTIONS

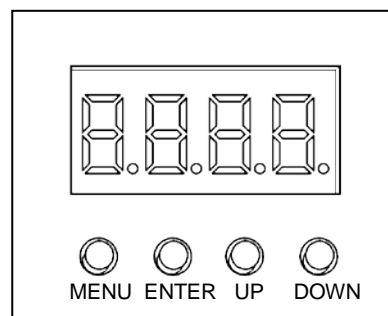
Configuring the Starting Address

The SlimPART™ Pro VW fixture uses 7 DMX channels in its maximum setting. In this DMX configuration/personality, the highest channel that the fixture may be set to in order to function properly is 506. Any address higher than this will prevent access to all of the channels, while in this mode; however, if you desire to use one of the other DMX channels configurations (personalities), please consider the total DMX channels when selecting a DMX address.

Control Panel Functions

Access control panel functions using the four buttons located directly underneath the LED display on the included wired remote.

BUTTON	FUNCTION
<MENU>	Used to scroll through the current operating mode, as well as back out of the current menu option
<ENTER>	Used to select a move to the right in the menu map and select a value and store it to memory
<UP>	Used to select increasing advancement in the value
<DOWN>	Used to select decreasing advancement in the value



The Control Panel shows the current state of the unit. It is used to select the operating mode, as well as the sub-features. For a detailed layout of the control panel functions, please see the “menu map” section.

Menu Map

MAIN FUNCTION	SELECTION	SUB-SELECTION	DESCRIPTION
DMX Address	AddR	d001~d512	DMX starting address selection
Personality	PERS	7CH	7-channel operating mode
		3CH	3-channel operating mode: warm/cool white color temperature mixing with dimmer
		2CH	2-channel operating mode: warm/cool white color temperature mixing
Dimming Curve	dIM	OFF	Dimming curve: off
		dIM1	Dimming curve: dim 1
		dIM2	Dimming curve: dim 2
		dIM3	Dimming curve: dim 3
Color Temperature Preset	C--	C-01	White 1
		C-02	White 2
		C-03	White 3
		C-04	White 4
		C-05	White 5
		C-06	White 6
		C-07	White 7
		C-08	White 8
		C-09	White 9
Custom Static Color	U--	A000~A255	Combine warm and cool white to create a custom, static color temperature mix
		W000~W255	
		S000~S020	Strobe speed (000=no strobe)
Auto Program	P--	P--1~P--5	Program selection
		S000~S100	Run speed



There is no strobing in the following modes: C-- and P--. For full function control, use 7-Channel DMX mode.

DMX Operation

This is the operating mode which will allow for control with an external DMX controller. You must set the starting address for this mode.

1. Plug a DMX controller into the fixture in a daisy chain configuration.
2. Press **<MENU>** until the following appears on the LED screen: PeRS.
3. Press **<ENTER>**.
4. Using **<UP>** & **<DOWN>**, select the desired personality (7-CH, 3-CH, 2-CH).
5. Press **<ENTER>**.
6. Press **<MENU>** until AddR appears on the LED screen.
7. Press **<ENTER>**.
8. Using **<UP>** & **<DOWN>**, select the desired DMX starting address (d001~d512).
9. Press **<ENTER>**.



Only connect 32 fixtures to a single DMX daisy chain!

Master/Slave Mode

This mode allows a single unit, the master, to operate in one of the standalone modes, while one or more fixtures, slaves, synchronize their responses to the master. Master: The master fixture may be set in any of the STANDALONE modes listed in this user manual. Slave: Set the slave fixture(s) to DMX mode at starting address 001.



Only connect 31 slave fixtures when operating in this mode!

Standalone

This fixture has several options for operating without a DMX controller. Access these options via the control panel on the back of the fixture.

Automatic

This fixture has preprogrammed chases that may be triggered without a controller. Access these chases via the control panel on the back of the fixture.

1. Remove any DMX controller from the fixture.
2. Press **<MENU>** to select Auto Program (P--).
3. Press **<ENTER>**.
4. Using **<UP>** & **<DOWN>**, select one of the 5 programs.
5. Press **<ENTER>**.
6. Press **<MENU>** until S000~S100 appears on the LED screen.
7. Press **<ENTER>**.
8. Using **<UP>** & **<DOWN>**, select the desired run speed (slow~fast)
9. Press **<ENTER>**.

Color Temperature Preset

This fixture has preprogrammed, static color temperature presets that may be triggered without a controller. Access these chases via the control panel on the back of the fixture.

1. Remove any DMX controller from the fixture.
2. Press **<MENU>** to select Color Temperature Preset mode (C--).
3. Press **<ENTER>**.
4. Using **<UP>** & **<DOWN>**, select one of the nine presets.
5. Press **<ENTER>**.

Custom Color Temperature

This fixture has the ability to accept a custom static color temperature setting. Access this via the control panel.

1. Press **<MENU>** until **U--** appears on the LED screen.
2. Press **<ENTER>**.
3. Using **<UP>** and **<DOWN>**, select the desired color.
4. Press **<ENTER>**.
5. Using **<UP>** and **<DOWN>**, select the desired color value (000~100). By selecting 000, the color will remain off.
6. Press **<ENTER>** to continue to the next color (**A**, **W**).
7. Using **<UP>** and **<DOWN>**, select the desired color value (000~100).
8. Continue until the desired mix is obtained. The order of colors is warm white and cool white.
9. Press **<ENTER>** to continue to the strobe setting.
10. Using **<UP>** and **<DOWN>**, select the desired strobe value (000~100). By selecting 000, the strobe function will remain off.
11. Press **<ENTER>** to save the final color setting. This will move the selection to the following color. However, this is necessary to save the modification.

DMX Channel Values

2-CH Mode

CHANNEL	VALUE	FUNCTION
1	000 ó 255	Warm White 0%~100%
2	000 ó 255	Cool White 0%~100%

3-CH Mode

CHANNEL	VALUE	FUNCTION
1	000 ó 255	Master Dimmer 0%~100%
2	000 ó 255	Warm White 0%~100%
3	000 ó 255	Cool White 0%~100%

7-CH Mode

CHANNEL	VALUE	FUNCTION
1	000 ó 255	Master Dimmer 0%~100%
2	000 ó 255	Warm White 0%~100%
3	000 ó 255	Cool White 0%~100%
4	000 ó 009 010 ó 255	Strobe No function 1~20 Hz (slow~fast)
5	000 ó 051 052 ó 101 102 ó 152 153 ó 203 204 ó 254 255 ó 255	Auto Program No Function Auto 1 Auto 2 Auto 3 Auto 4 Auto 5
6	000 ó 255	Auto Program Speed (only when CH.7 is between 052~255) 0%~100% (slow~fast)
7	000 ó 051 052 ó 101 102 ó 152 153 ó 203 204 ó 255	Dimmer Speed Default dimmer speed Linear dimmer Non-linear dimmer 1 Non-linear dimmer 2 Non-linear dimmer 3

Maintenance

To maintain optimum performance and minimize wear, fixtures should be cleaned frequently. Usage and environment are contributing factors in determining frequency. As a general rule, fixtures should be cleaned at least twice a month. Dust build up reduces light output performance and can cause overheating. This can lead to reduced lamp life and increased mechanical wear. Be sure to power off fixture before conducting maintenance.

- Unplug fixture from power.
- Use a vacuum or air compressor and a soft brush to remove dust collected on external vents.
- Clean all lenses when the fixture is cool with a mild solution of glass cleaner or Isopropyl Alcohol and a soft lint free cotton cloth or lens tissue.
- Apply solution to the cloth or tissue and drag dirt and grime to the outside of the lens.
- Gently polish optical surfaces until they are free of haze and lint.

The cleaning of external optical lenses and/or mirrors must be carried out periodically to optimize light output. Cleaning frequency depends on the environment in which the fixture operates. Damp, smoky or particularly dirty surroundings can cause greater accumulation of dirt on the unit's optics. Clean with soft cloth using normal glass cleaning fluid. Clean the external optics at least every 20 days. Clean the fixture at least every 30/60 days.



Always dry the parts carefully after cleaning them.

Never spin a fan using compressed air.

Returns

Returned merchandise must be sent prepaid and in the original packing; call tags will not be issued. Package must be clearly labeled with a Return Merchandize Authorization Number (RMA #). Products returned without the RMA # will be refused. Call CHAUVET® and request an RMA # prior to shipping the fixture. Be prepared to provide the model number, serial number and a brief description of the cause for the return. Be sure to pack fixture properly; any shipping damage resulting from inadequate packaging is the customer's responsibility. As a suggestion, proper UPS packing or double-boxing is always a safe method to use. CHAUVET® reserves the right to use its own discretion to repair or replace product(s).



If you are given an RMA #, please include the following information on a piece of paper inside the box:

- 1) ***Your name***
- 2) ***Your address***
- 3) ***Your phone number***
- 4) ***The RMA #***
- 5) ***A brief description of the symptoms***

Claims

Damage incurred in shipping is the responsibility of the shipper; therefore, the damage must be reported to the carrier upon receipt of merchandise. It is the customer's responsibility to notify and submit claims with the shipper in the event that a fixture is damaged due to shipping. Any other claim for items such as missing component/part, damage not related to shipping, and concealed damage, must be made within seven (7) days of receiving merchandise.

TECHNICAL SPECIFICATIONS

WEIGHT & DIMENSIONS

Length 3.4 in (87 mm)
 Width 10.1 in (256 mm)
 Height 11.2 in (285 mm)
 Weight 6.3 lbs (2.8 kg)

POWER

Auto-ranging 100~240 VAC, 50/60 Hz
 Power consumption @ 120 V 39 W (0.6 A) max, 0.3 A inrush
 Power consumption @ 230 V 39 W (0.3 A) max, 0.4 A inrush
 Power output 22 units max
 Fuse F 2 A, 250 V

LIGHT SOURCE

Type high-powered LED
 Quantity 36 (18 warm white, 18 cool white)
 Rating 1 W (350 mA), 50,000 hrs

PHOTO OPTIC (WIDE) (INSTALLED)

Lux 6,050 @ 1 m
 Beam angle 25°
 Field angle 44°

PHOTO OPTIC (NARROW) (OPTIONAL)

Lux 8,750 @ 1 m
 Beam angle 17°
 Field angle 36°

COLOR TEMPERATURE

Variable 2,300 K-6,300 K

INDOOR/OUTDOOR

Rating For indoor use only

THERMAL

Maximum ambient temperature 104° F (40° C)

CONTROL & PROGRAMMING

Data input locking 3-pin XLR male socket
 Data output locking 3-pin XLR female socket
 Data pin configuration pin 1 shield, pin 2 (-), pin 3 (+)
 Protocols DMX-512 USITT
 DMX Channels (user-configurable) 2, 3, 7

ORDERING INFORMATION

SlimPAR™ Pro VW SPPVW
 Optional 17° (Narrow) Lens SPPVWLENS17

WARRANTY INFORMATION

Warranty 2-year limited warranty



UL 1573
 CSA C22.2 No. 166
 E113093



CONTACT US

World Wide

General Information

CHAUVET®
5200 NW 108th Ave
Sunrise, FL 33351
voice: 954.929.1115
fax: 954.929.5560
toll free: 800.762.1084

Technical Support

CHAUVET®
5200 NW 108th Ave
Sunrise, FL 33351
voice: 954.929.1115 (**Press 4**)
fax: 954.929.5560 (**Attention: Service**)

World Wide Web

www.chauvetlighting.com