

SECTION 2. INSTALLATION

2-1. INTRODUCTION

This section provides the installation instructions for the Henny Penny Heated Merchandiser.

NOTICE

Installation of this unit should be performed only by a qualified service technician.



Do not puncture the heated merchandiser with any objects such as drills or screws as component damage or electrical shock could result.

2-2. UNPACKING

The Henny Penny Heated Merchandiser is tested, inspected and expertly packed to ensure arrival at its destination in the best possible condition. The unit has been bolted to wooden skid. All items have been packed and taped inside of the unit. The unit is then packed inside a triple wall corrugated carton with sufficient padding to withstand normal shipping treatment.

NOTICE

Any shipping damage should be noted in the presence of the delivery agent and signed prior to his or her departure.

To remove the heated merchandiser from the carton, you should:

1. Carefully cut banding straps.
2. Open flaps of carton and remove packing.
3. Lift carton from unit.
4. Remove four bolts mounting the merchandiser to the skid.
5. If installing the unit on a merchandiser base, use existing bolts to mount unit.
6. Unpack doors, cutting board, and pan supports, and install.
7. The heated merchandiser is now ready for location and setup.

2-3. ELECTRICAL CONNECTION

The heated merchandiser is available from the factory, wired for 120/208-240 volts, single or three phase, (includes neutral), 220-240 volts, or 380-415 volts. Refer to the table at left, and bottom, for proper power connection.

NEMA NUMBERS:			
Model	208/240-1 ph	208-3 ph	240-3 ph
107	14-50P	L21-30P	Hardwire
106	14-50P	L21-30P	Hardwire
105	14-50P	L21-30P	Hardwire
104	L14-30P	L21-20P	Hardwire
103	L14-30P	L21-20P	Hardwire

NOTICE

International units are **not** supplied with cord and plug, and must be provided upon installation. If two CE units are placed side-by-side, a grounding wire needs to be placed between the equipotential bonding lugs, located under the cutting board brackets, of both units.



This unit must be adequately and safely grounded. Refer to local electrical codes for correct grounding procedures. If heated merchandiser is not adequately grounded, electrical shock could result.

(FOR EQUIPMENT WITH CE MARK ONLY!)

To prevent electric shock hazard this appliance must be bonded to other appliances or touchable metal surfaces in close proximity to this appliance with an equipotential bonding conductor. This appliance is equipped with an equipotential lug for this purpose. The equipotential lug is marked with the following symbol



A separate disconnect switch with proper capacity fuses or breakers must be installed at a convenient location between the unit and the power source.

2-4. ELECTRICAL DATA TABLE

MODEL	COMBI-NATION	VOLTS	KW	AMPS		MODEL	COMBI-NATION	VOLTS	KW	AMPS					
				1 PHASE	3 PHASE					1 PHASE	3 PHASE				
HMR-107	7S	120/208	5.0	24	18	HMR-107	3F/2S/2F*	120/208	6.0	29	19				
			6.7	32	22				7.8	37	23				
		120/240	5.0	16	16			120/240	6.0	25	17				
			7.0	29	20				8.1	34	21				
		220-240	5.4	22	N/A			220-240	6.4	27	N/A				
			7.5	31	N/A				8.5	36	N/A				
		380-415	5.4	N/A	11			380-415	6.4	N/A	11				
			7.5	N/A	11				8.5	N/A	13				
		HMR-107	7F	120/208	6.0			29	19	HMR-107	2S/3F/2S	120/208	5.5	27	19
					7.8			37	23				7.3	35	22
120/240	6.0			25	17	120/240	5.5	23	16						
	8.1			34	21		7.6	32	20						
220-240	6.4			27	N/A	220-240	6.0	25	N/A						
	8.5			36	N/A		8.0	33	N/A						
380-415	6.4			N/A	11	380-415	6.0	N/A	11						
	8.5			N/A	13		8.0	N/A	12						
HMR-107	5S/2F*			120/208	5.5	26	18	HMR-107	2F/3S/2F			120/208	5.9	29	19
					7.2	35	22						7.7	37	22
		120/240	5.5	23	16	120/240	5.9			25	16				
			7.5	31	20		8.0			33	20				
		220-240	5.9	24	N/A	220-240	6.4			27	N/A				
			7.9	33	N/A		8.4			35	N/A				
		380-415	5.9	N/A	11	380-415	6.4			N/A	11				
			7.9	N/A	12		8.4			N/A	12				
		HMR-107	5F/2S*	120/208	5.5	27	19			HMR-106	6S	120/208	4.0	19	13
					7.3	35	22						5.5	26	16
120/240	5.5			23	16	120/240	4.0	17	12						
	7.3			30	20		5.7	24	15						
220-240	6.0			25	N/A	220-240	4.3	18	N/A						
	8.0			33	N/A		6.1	25	N/A						
380-415	6.0			N/A	11	380-415	4.3	N/A	8						
	8.0			N/A	12		6.1	N/A	9						
HMR-107	4S/3F*			120/208	5.5	27	19	HMR-106	6F			120/208	5.0	24	15
					7.3	35	22						6.5	31	20
		120/240	5.5	23	16	120/240	5.0			21	13				
			7.6	32	21		6.8			28	18				
		220-240	6.0	25	N/A	220-240	5.4			22	N/A				
			8.0	33	N/A		7.2			30	N/A				
		380-415	6.0	N/A	11	380-415	5.4			N/A	8				
			8.0	N/A	12		7.2			N/A	12				
		HMR-107	4F/3S*	120/208	5.5	27	19			HMR-106	4S/2F*	120/208	4.5	21	14
					7.3	35	22						6.0	29	17
120/240	5.5			23	16	120/240	4.5	19	12						
	7.6			32	20		6.2	26	16						
220-240	6.0			25	N/A	220-240	4.8	20	N/A						
	8.0			33	N/A		6.6	27	N/A						
380-415	6.0			N/A	11	380-415	4.8	N/A	8						
	8.0			N/A	12		6.6	N/A	10						
HMR-107	3S/2F/2S*			120/208	5.5	27	18	HMR-106	4F/2S*			120/208	4.5	22	14
					7.2	35	22						6.0	29	17
		120/240	5.5	23	16	120/240	4.5			19	12				
			7.5	31	20		6.3			26	16				
		220-240	5.9	24	N/A	220-240	4.9			20	N/A				
			7.9	33	N/A		6.7			28	N/A				
		380-415	5.9	N/A	11	380-415	4.9			N/A	8				
			7.9	N/A	12		6.7			N/A	10				

*Well modules can be arranged in opposite order

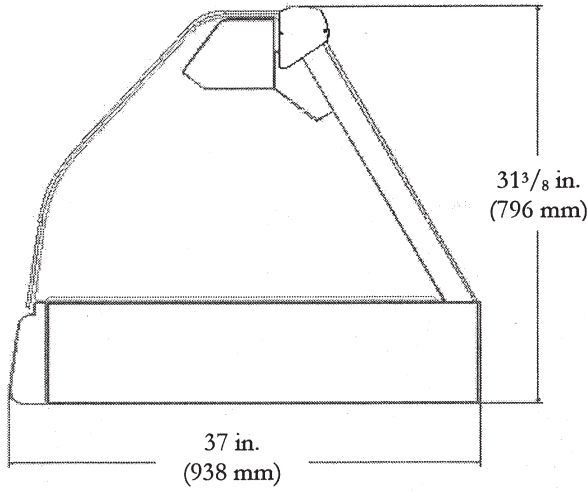
2-4. ELECTRICAL DATA TABLE (Continued)

MODEL	COMBI-NATION	VOLTS	KW	AMPS		MODEL	COMBI-NATION	VOLTS	KW	AMPS	
				1 PHASE	3 PHASE					1 PHASE	3 PHASE
HMR-106 (Cont.)	3S/2F*	120/208	5.2	25	17	HMR-105 (Cont.)	3F/2S*	120/208	4.2	20	14
			6.7	32	20				5.5	26	17
		120/240	5.2	22	15			120/240	4.2	18	12
			7.0	29	18				5.7	24	15
		220-240	5.5	23	N/A			220-240	4.5	19	N/A
			7.3	31	N/A				6.0	25	N/A
380-415	5.5	N/A	11	380-415	4.5	N/A	8				
	7.3	N/A	11		6.0	N/A	9				
HMR-106	2S/2F/2S	120/208	4.5	21	14	HMR-104	4S	120/208	2.6	13	9
			6.0	29	17				3.6	17	11
		120/240	4.5	19	12			120/240	2.6	11	8
			6.2	26	16				3.8	16	10
		220-240	4.8	20	N/A			220-240	2.8	12	N/A
			6.6	27	N/A				4.0	17	N/A
380-415	4.8	N/A	8	380-415	2.8	N/A	5				
	6.6	N/A	10		4.0	N/A	6				
HMR-106	2F/2S/2F	120/208	4.9	24	14	HMR-104	4F	120/208	3.2	15	9
			6.4	31	19				4.2	20	12
		120/240	4.9	21	13			120/240	3.2	13	8
			6.7	28	18				4.4	18	12
		220-240	5.3	22	N/A			220-240	3.4	14	N/A
			7.1	30	N/A				4.6	19	N/A
380-415	5.3	N/A	8	380-415	3.4	N/A	5				
	7.1	N/A	12		4.6	N/A	7				
HMR-105	5S	120/208	3.6	18	13	HMR-104	2S/2F*	120/208	3.1	15	9
			4.9	24	16				4.1	20	12
		120/240	3.6	15	12			120/240	3.1	13	8
			5.1	21	15				4.3	18	11
		220-240	3.9	16	N/A			220-240	3.3	14	N/A
			5.4	23	N/A				4.5	19	N/A
380-415	3.9	N/A	8	380-415	3.3	N/A	5				
	5.4	N/A	8		4.5	N/A	7				
HMR-105	5F	120/208	4.2	20	14	HMR-103	3S	120/208	2.3	11	9
			5.5	26	17				3.0	15	11
		120/240	4.2	18	12			120/240	2.3	10	8
			5.7	24	15				3.2	13	10
		220-240	4.5	19	N/A			220-240	2.4	10	N/A
			6.0	25	N/A				3.4	14	N/A
380-415	4.5	N/A	8	230	2.4	11	N/A				
	6.0	N/A	9	380-415	2.4	N/A	5				
HMR-105	3S/2F*	120/208	4.1	20	14	HMR-103	3F	120/208	2.8	14	9
			5.4	26	17				3.6	17	11
		120/240	4.3	18	13			120/240	2.8	12	8
			5.6	23	15				3.7	16	10
		220-240	4.4	18	N/A			220-240	3.0	12	N/A
			5.9	25	N/A				3.9	16	N/A
380-415	4.4	N/A	8	230	3.0	13	N/A				
	5.9	N/A	9	380-415	3.0	N/A	5				
					3.9	N/A	6				

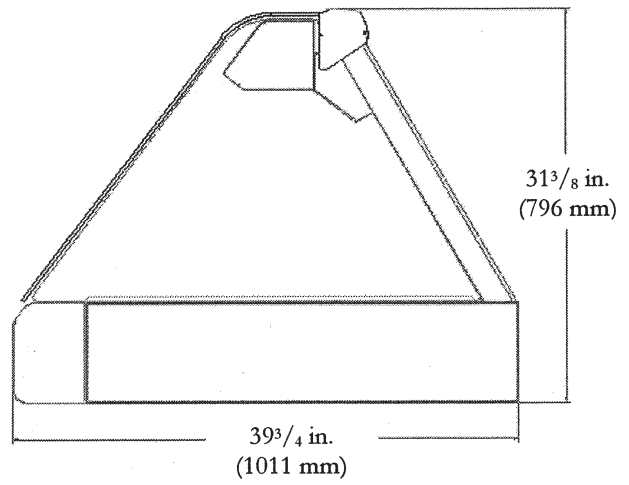
*Well modules can be arranged in opposite order

2-5. CABINET DIMENSIONS

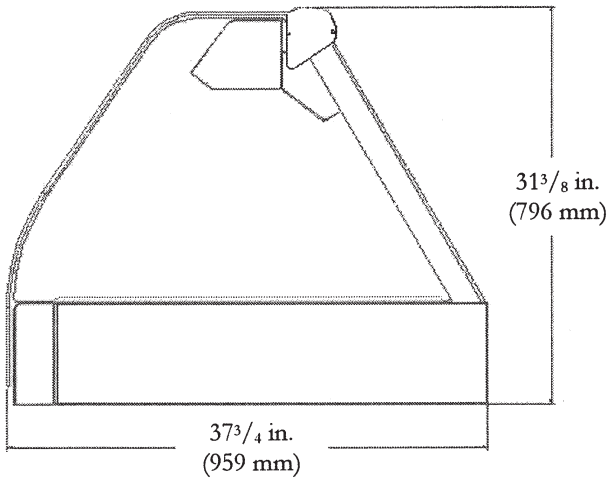
Curved Profile



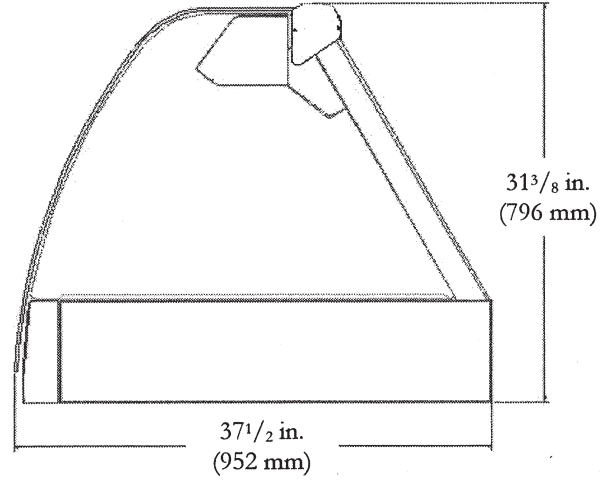
Flat Profile



Vision Profile



Advantage Profile



	3-well	4-well	5-well	6-well	7-well
Width	43 ¹ / ₄ in. (1099 mm)	56 ¹ / ₄ in. (1429 mm)	69 ¹ / ₄ in. (1759 mm)	82 ¹ / ₄ in. (2089 mm)	95 ¹ / ₄ in. (2419 mm)

2-6. CENTER GLASS INSTALLATION

These are the instructions for installing the center glass on units that are combination, self-serve and standard merchandisers.



1. Notice the location of the bracket on unit, as indicated.



2. Using a 3/8" socket, or nut driver, loosen the 2 acorn nuts securing the bracket, but do not remove.

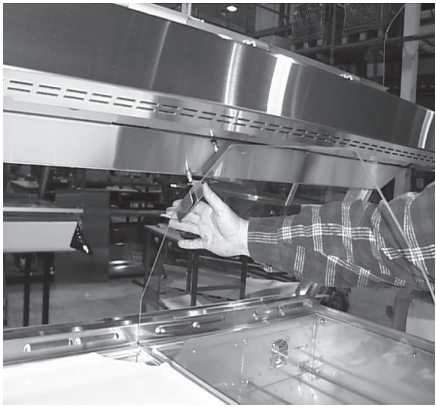


3. Slide bracket off from around the 2 acorn nuts.

2-6. CENTER GLASS INSTALLATION (Continued)



4. Place glass in divider track as shown.



5. Slide bracket onto glass and align to its original position around the 2 acorn nuts.



6. Retighten the 2 acorn nuts.

2-7. SIDE GLASS INSTALLATION

Install the side panel glass, on both sides of the unit, as follows:



Step 1

1. Pull out plunger on retainer and turn clockwise to lock open.
2. Slide the glass into the channel on the side rail, making sure the glass seats into the groove on the upright.



Step 4

3. Align the hole in the glass with the plunger of the retainer.
4. Turn the plunger of the retainer clockwise again, to lock and release the plunger in place.
5. Installation is now complete.