

MUJI

Bench for Living and Dining Room Various Sizes

Assembly/User's Manual

Retain for future reference

- Thank you for your purchase.
- Read this User's Manual before using this product.
- Retain this User's Manual for future reference.

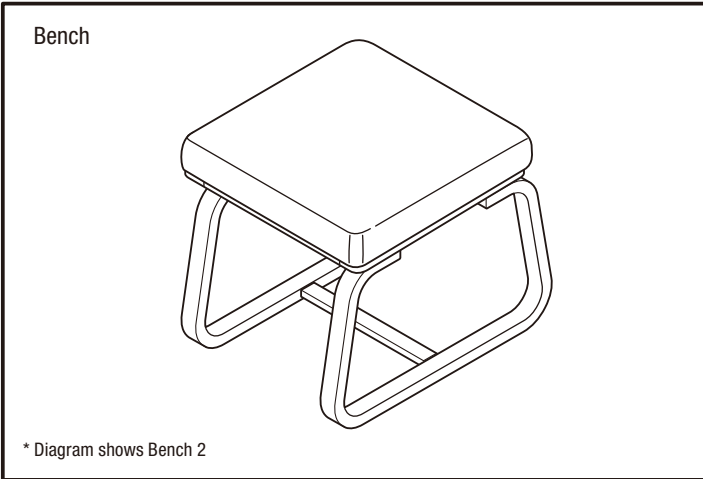
Read before using this product

Caution

- One week after assembly, check screws and nuts, then re-tighten.
- Do not use power tools to install fittings and parts for this product.
- Be careful not to damage floors or existing furniture when assembling, installing this product.

Completed Product Diagram

* This product comes partially assembled.

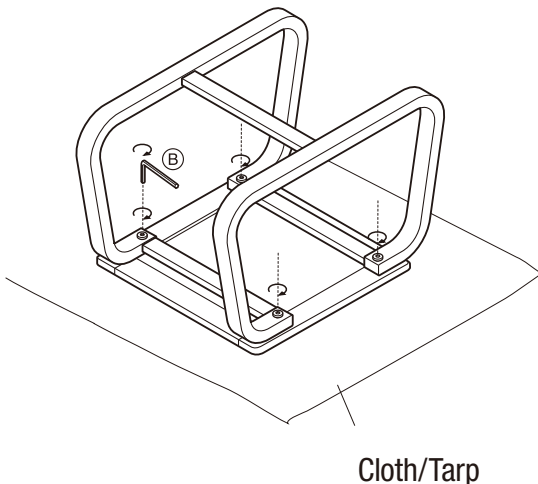


Fittings Parts List

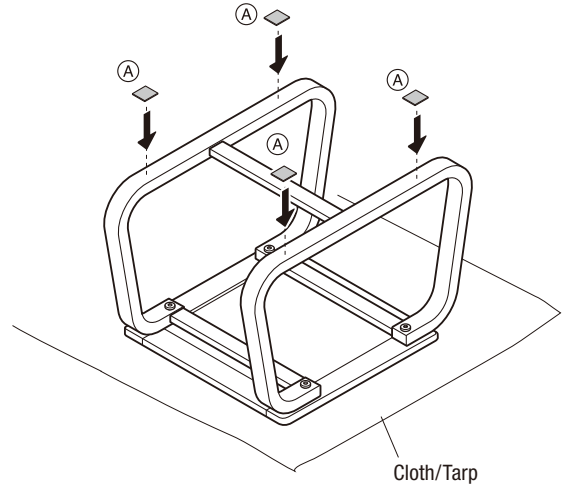
<p>(A) Felt</p> <p>* Extra pieces included</p>		<p>(B) Hexagonal Key</p>
Bench 1 X4	Bench 2 X4	X1

Before you use this product!

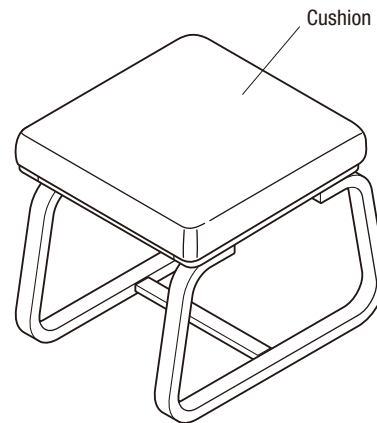
Regularly check parts for looseness, and tighten as necessary. Use (B) Hexagonal Key to tighten any loose fittings parts.



- 1** First, spread out a trap or cloth on the floor of the area where you will be assembling this product. Remove cushion, turn bench over, and install (A) Felt pieces on the frame legs.



- 2** Replace cushion to complete assembly.
* Always use cushion cover (sold separately).



Caution

- Do not set in direct sunlight, near heaters, or in areas subject to high heat and humidity. Doing so may result in warping, discoloration, or change in product quality.
- Do not use chair on unstable or uneven surfaces. Do not stand on chair. Doing so is extremely dangerous and may result in the chair flipping over or damage to the chair.
- Set this chair on a stable, even surface. Using this chair on an unstable surface may result in damage.
- Regularly check parts for looseness, and tighten as necessary. Using this chair with loose parts may result in damage or warping, or in injury.
- Sharp or pointed objects may damage this product.
- Before using this product, read the Assembly/User's Manual (this document) and User's Manual (separate).
- Contact your local retailer where you purchased for any questions regarding use or installation of this product not covered in Assembly/User's Manual or User's Manual.