



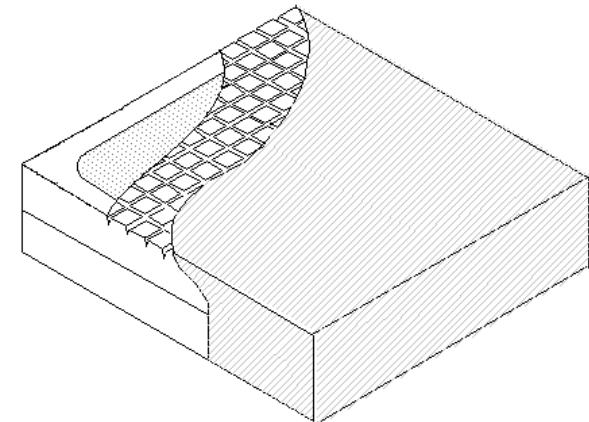
## PRIMAGEL CUSHION USER MANUAL STM 21

The packaging of this cushion is sealed prior to despatch and the cushion itself will be clean prior to closure. If the cushion has become exposed or damaged during transit, please contact us at the address below

**CMHR foam cushion, with castellated top surface and internal gel. Two way stretch, vapour permeable, non-removable cover, with sewn seams.**



**FOAM FOR CARE**  
Azalea Close, Clover Nook Industrial Park,  
Alfreton, Derbyshire DE55 4QX  
Tel 01773 838800 Fax 01773 838870



**The manufacturing process operates under Class 1 of the Medical Devices Directive by fully complying with the essential requirements for CE marking this product.**

### **Flammability**

The PrimaGel Cushion meets the requirements of BS6807:2006 for medium hazard.

The interior materials meet the requirements of The Furniture & Furnishings (Fire) (Safety) Regulations 1988.

### **User Instructions**

This PrimaGel Cushion has been designed for use in wheelchairs, by patients who require additional comfort♣, with a weight guide of up to 121 kg / 19 Stone.

Ensure that the surface of the chair seat is clear from debris before placing the cushion as debris can damage the coating of the fabric.

The label on this cushion has a unique batch number which should be used in the event of a warranty claim. NEVER remove the label.

The cushion should be placed in the seat of the chair with the castellated surface uppermost. Instructions for use are screen printed onto the cover of the product for each of reference.

*♣ Indication of use based upon interface pressure readings– not a prescriptive criteria. Always defer to clinician's judgement. Safe working load based on test methods devised at the Recticel International Development Centre, Wetteren, Belgium.*

### **Warranty**

Covered against faulty manufacture and materials as replacements goods.

Normal wear and tear expected would not be included.

All warranties subject to terms and conditions of trading.

Please refer to our warranty schedule for terms.

In order to claim under warranty refer to the batch number printed on the product label.

### **Cleaning**

For general cleaning and superficial dirt, use a single use wipe with a solution of warm water and neutral detergent. Do not use abrasive or phenolic-based cleaners.

To disinfect in situ, use a 0.1% sodium hypochlorite solution (1,000ppm chlorine) If required, a 1% Chlorine solution (10,000ppm) and cold water may be applied for not more than 2 minutes

Thoroughly rinse the cover with clean water and allow to dry before re-use or storage

Non-removable covers can only be cleaned in situ,

Do not tumble dry.

Do not mangle or iron.

### **Storage & Care**

- Store the cushion flat – do not fold
- Do not place heavy objects on the cushion surface when not in use
- Do not allow sharp objects to penetrate the cover coating
- Keep the cushion clean and use protective cover when not in use
- Regularly inspect the interior and exterior of the cushion
- Do not store in damp conditions or next to radiators or other heating devices.
- Do not store directly onto the floor