

**User manual for:**

<b>Manufacturer</b>	<b>Model</b>
Tefcold	DD240

Uploaded: Oct 2015

---

**Interlevin Refrigeration Ltd**  
West Meadow Rise  
Castle Donington  
Derby  
DE74 2HL

**Sales:** 01332 850090  
**Parts:** 01332 850190  
**Service:** 01332 850064  
**Email:** [trade.sales@interlevin.co.uk](mailto:trade.sales@interlevin.co.uk)  
**Web:** [www.interlevin.co.uk](http://www.interlevin.co.uk)

**OPERATION INSTRUCTIONS  
FOR  
DD240**



## Operation instructions for Ice Cream Conservators with sliding glass lids

Congratulations with your new Ice Cream Conservator. We feel certain that it will be very useful to you for many years ahead.

Many years of experience in the manufacturing and distribution of Ice Cream Conservators has lead to the development of wide range of merchandisers, enabling us to meet your demand anywhere on the world for cooling and freezing equipment.

All our conservators, freezers and coolers are manufacturing taking the environment into consideration to the highest degree possible. We use only 100% CFC free insulation foam and refrigerant, still maintaining an uncompromising attitude to the freezing and cooling performance.

Our model range of Ice Cream Conservators with sliding glass lids has been specially designed to conserve ice cream and frozen foods regarding the performance and safety according to the International Standards.

To obtain optimal benefit from your Ice Cream Conservator, please read following instructions thoroughly and act accordingly.

## Dear customer

Please be sure to read this operating manual carefully before putting your new refrigerated cabinet into use. The manual contains important notes on safety and proper installation, use and maintenance of the plug-in refrigerated cabinets.

Please keep the manual ready for reference and hand it over to any future new owner of the cabinets.

Make sure the manual is read by all staff who may work with the merchandiser and that they understand and observe the contents.

Should you or your staff be unable to understand any instruction in this manual, please contact your Service Organization.



*We would point out that the refrigerated cabinet is occasionally referred to on the following pages with options which do not form part of the standard equipment.*

## How to use this operating manual

The illustrations are numbered separately in each section (e.g. fig. 3).

Reference to an illustration in the text is shown in brackets with the first digit indicating the no. of the figure and the second, separated from the first by a hyphen, indicating the position in that figure.

Example: (4-2) means fig. 4, position 2.

Important information is marked by pictograms:



*indicates working and operating procedures which must be strictly observed to rule out any risk to people.*



*indicates working and operating procedures which must be strictly observed to avoid any damage to or destruction of the cabinet.*



*indicates useful information and recommendations for operation.*

## Note for delivery



On arrival, first inspect the refrigerated cabinet for any damage sustained in transit. All such damage must be reported immediately to your Service Organization.

## Proper use

The refrigerated cabinets described in this operating manual are intended for storing wrapped Ice cream.

Do not load the refrigerated cabinet with non refrigerated products or use it to cool products.

Proper use only means the use as described above, adhering to the specifications on installation, connection, operation and service. Any other use is regarded as being contrary to specification and is prohibited.

## Safety regulation



*The plug-in refrigerated cabinets as described in this operating manual are designed and manufactured in compliance with the international safety regulations. Like any electrical appliance, it must be handled with all due care, particularly with consideration to ensuring electrical safety.*



### **WARNING !**

To ensure safe operation in all service conditions, the following safety precautions must be observed:

- The power plug must be connected in regulation matter and as instructed in this manual.
- If the power cable is damaged it has to be replaced by a qualified electrician or a person with experience in electrical engineering through a cable available from the manufacturer or Service Organization.
- Contact your Service Organization if you are in any doubt about electrical connection, working or safety of your plug-in refrigerated cabinet.
- Remove the cabinet from use if it is not working properly or exhibits any damage. Disconnect the power plug, transfer the merchandise to other cabinets or a cold-room and call your local Service Organization.
- When disconnecting the power plug, always pull on the plug itself and never the cable.
- Never detach any cover except where specifically instructed in this manual. Doing so might expose live electrical parts.
- If any damage occurs to the power cable, pull the plug to disconnect the cabinet.
- Never use a water hose or high-pressure jet to clean the cabinet.
- All work on electrical equipment must be left to a qualified electrician. Safety first!
- Never connect the cabinet to the power supply if it is damaged (in transit or otherwise). When in doubt, contact your Service Organization or dealer.
- Please pay attention to the maximum load limits when filling the display shelves or compartments with merchandise! See Chapter 15 Specifications!
- Electronic elements may only be replaced by a qualified electrician or person with experience in electrical engineering!
- This appliance is not intended for use by persons (including children) with reduced physical, sensory or mental capabilities, or lack of experience and knowledge, unless they have been given supervision or instruction concerning use of the appliance by a person responsible for their safety.
- Children should be supervised to ensure that they do not play with the appliance.
- If the supply cord is damaged, it must be replaced by the manufacturer, its service agent or similarly qualified persons in order to avoid a hazard.



## WARNING !

- Only for R600a and R290 refrigerant cabinet
- This Refrigerator contained R600a or R290 flammable refrigerant. Keep clear of obstruction all ventilation openings in the appliance enclosure or in the structure for building-in (IEC/EN 60335-2-89:2002)
- Do not use mechanical devices or other means to accelerate the defrosting process, other than those recommended by the manufacturer (IEC/EN 60335-2-89:2002)
- Do not damage the refrigerant circuit (IEC/EN 60335-2-89:2002)
- Do not use electrical appliances inside the food storage compartments of the appliance, unless they are of the type recommended by the manufacturer. (IEC/EN 60335-2-89:2002)
- Appliances which use flammable insulation blowing gases, instructions shall include information regarding disposal of the appliance. (IEC/EN 60335-2-89:2002)
- In order to reduce flammability hazards the installation of this appliance must only be carried out by a suitably qualified person (IEC/EN 60335-2-89/A1:2005)

## Installation

- Check whether the conservator has been damaged during transportation. If yes, contact your dealer immediately.
- Place the conservator on a plane surface min. 100mm Away from any walls, do not place the conservator close to strongly heat-emitting sources, and do not expose it to direct sunlight.
- The conservator has been cleaned from the factory but we recommend you to clean it again using a solution of one teaspoon of sodium bicarbonate to 0.5 liter warm water. Do not clean the glass lid with powder or scrubbing detergents.

This appliance equipped with a non-revisable plug. If the plug does not fit with the socket you have to call the service or appointed skilled people.

Skilled persons may only make this installation of a new plug.

During the production, we don't use materials which contain CFC and asbestos. We use compressor oil which doesn't contain PCB.

**WARNING:** This appliance must be earthed!

Please note that a cut off plug is not a toy for children and it must never be inserted in a socket.

Plug the mains lead into a socket which will supply the voltage indicated on the rating plate. In Europe usually 230V/50Hz. and U.K. 240V/50Hz.

Never use extension cable because it can result in a low voltage and give poor starting conditions for the compressor. We recommend min 1 mm<sup>2</sup> wires for extension cables.

If there is any doubt about the correctness of the installation, we recommend that it should be checked by a qualified electrician.

## Control panel

As a standard the Ice Cream Conservator is not equipped with a control panel to keep the front of the cabinet free for the customers branding.

The thermostat is located behind the louvered plate, which covers the access to the compressor compartment at the end of the cabinet. The louvered plate is fixed with 4 Philips screws, which has to be taken away by a screw driver if you want to adjust the thermostat. The thermostat must only be adjusted by a skilled person because of the location in the compressor compartment.

- Thermostat is controlling the temperature in the conservator. To decrease the temperature, turn the thermostat button clockwise. We advise you to fix the thermostat knob in the middle, if the ambient temperature is +25 to +30°C. As a standard the thermostat is adjusted at position 4 which will give an average temperature of -18°C at load limit.

## DEFROSTING

It is advised to defrost the freezer at least each second month. Defrosting is necessary when ice thickness reaches to about 5mm. In connection with the defrost it is recommended to clean the internal surfaces of the ice cream conservator.

- As time goes frost will build up in certain areas, i.e. on the sides just below the glass lids and especially on the sides where the two sliding glass lids cover each other. This frost should be scraped away periodically using a wooden or plastic scraper or a stiff bristle brush. Never use metal or sharp instruments as the interior surfaces of the ice cream conservator may be damaged.

## Defrost and cleaning, each second month

- Unplug the conservator.
- Take the Ice cream out and store it in another freezer or wrap the ice creams properly and put it in a refrigerator but only for a short time.
- Leave the lid open.
- Use the plastic ice scraper to take away the ice from the inner liner. Never use sharp tools or knives. This process may be fastened by careful use of a hair dryer or by means of a tub of hot water placed at the bottom of the conservator.
- Take the plug away from the drain at the bottom and open the drain plug at the rear side of the conservator and place a tray under the drain hole to take care of the defrost water.
- Clean the lid and the cabinet with a special solution (a teaspoonful sodium bicarbonate added into ½ liter warm water). Then dry it up properly.
- After cleaning and drying up the conservator, plug it in and put the ice cream back to the conservator.

NOTE: The drain plug must be fitted before starting using the cabinet.

## Trouble shooting

In the case of operation disturbances, please check the following

- Is the conservator connected to the mains supply? If yes control the fuse for the mains supply (No fuse built in the electrical circuit for the conservator) Cabinet with an English plug has a 13A fuse in the plug.
- Too high temperature. Has the conservator recently been filled with ice cream? Or is the lid not closed?
- Too high temperature? Is the thermostat set correctly? If not turn the thermostat knob clockwise. Too high temperature? Is the conservator protected from direct influence by sun or other heat-emitting sources?
- Too high temperature? Is the frost layer too thick on the inner liner? If yes start a defrost.
- Too high temperature? Check if the fan motor is running. If not call for service.
- Compressor is running 100%. Is the thermostat adjusted too cold? Check the thermostat settings.
- Compressor is running continuously (100%) and thermostat is adjusted at pos.4 or 5. Is the ambient temperature too high or is the lid not proper closed?
- Compressor is running 100% and the temperature in the conservator is too high. Is the frost layer too thick? If yes start a defrost.
- If you can not still get rid off the problem after checking all these please call the nearest service men.

## How to keep frozen

We recommend to keep all ice cream at the temperature of  $-15^{\circ}\text{C}$  or lower (for scoop ice it can be a little higher). For each  $6^{\circ}$  lower temperature you can double the time for storage the ice cream. Prepackaged ice cream should be stored in accordance with the ice cream manufacturer's instruction for a 3-star food storage compartment (conservation temperature about  $-18^{\circ}\text{C}$ ). To ensure that the high quality achieved by the ice cream prepackaged ice cream should be stored in accordance with the ice cream manufacturer is maintained, the following should be remembered:

Place packets in the conservator as quickly as possible after purchase. If there are instructions on the packet, carefully follow these instructions regarding storage times and storage temperatures.

Warning: Never freeze down melted ice cream.

### **ATTENTION !**

The inner surface of the cabinet must be clean with isopropyl alcohol, liquid dishwashing detergents, glass cleaner products, and liquid soap. Turning yellow plastic components will occur to the use of different cleaning agents.



## Technical Specification

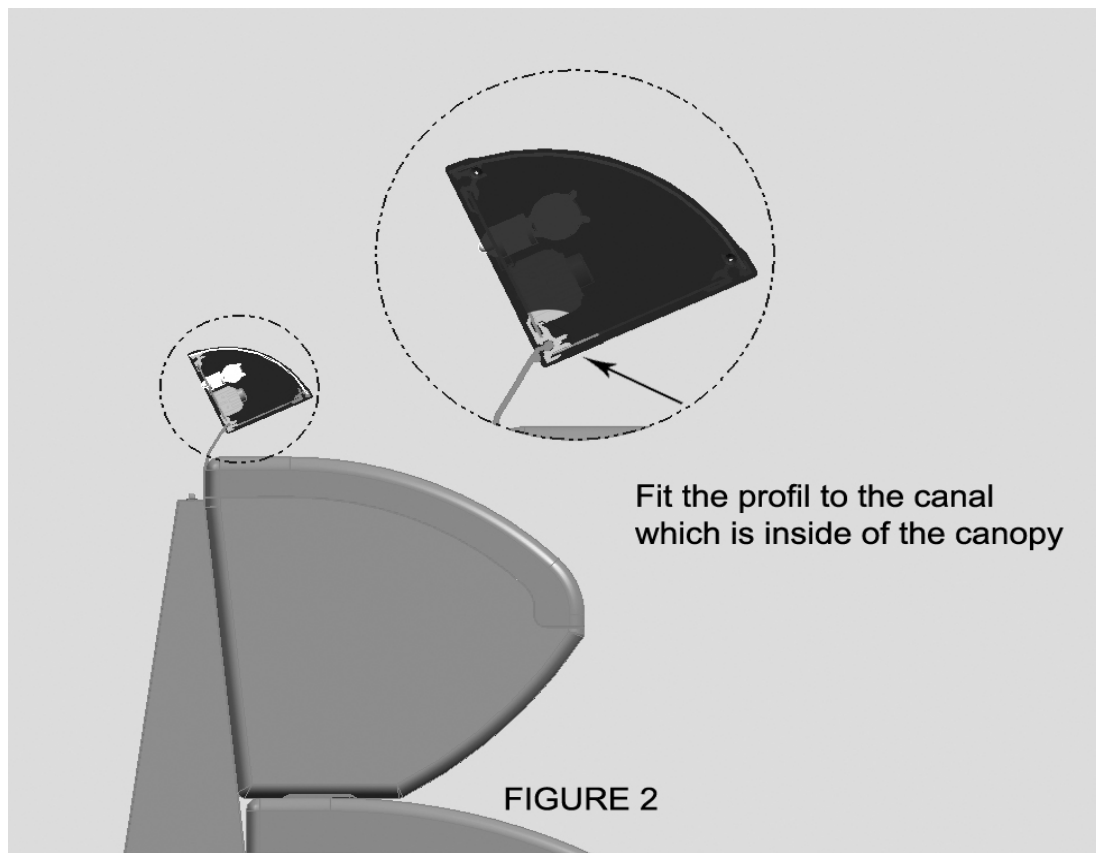
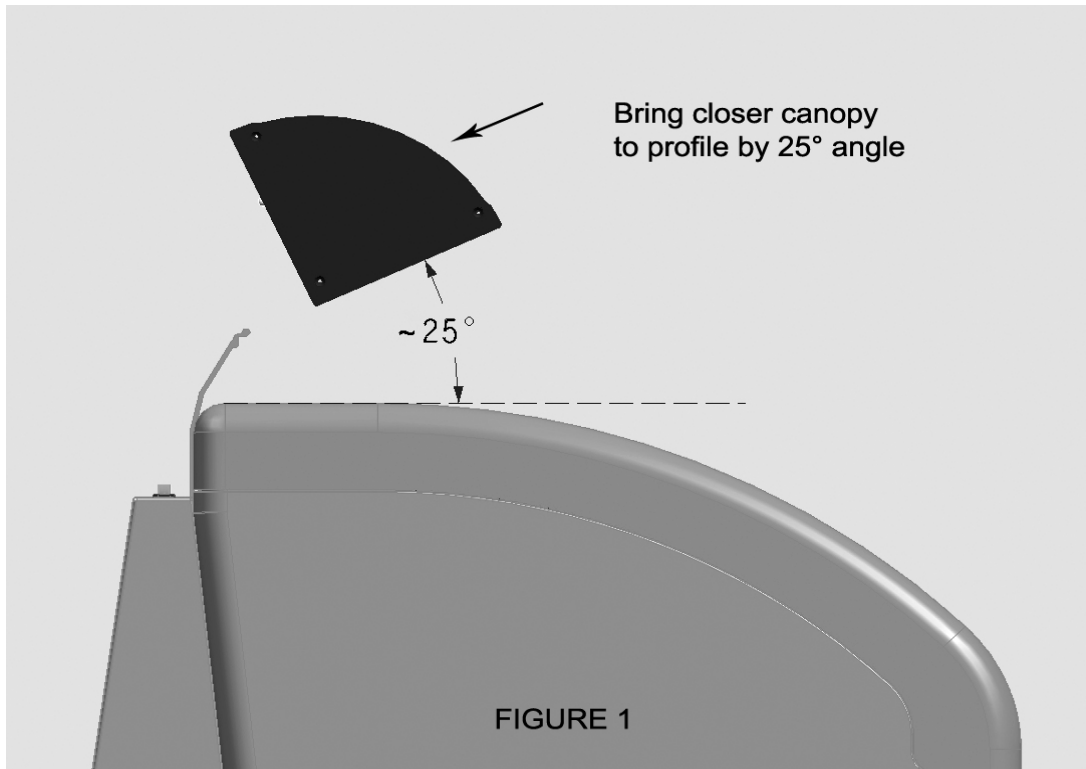
The ice cream conservators can be supplied for clima 04 (30°C & 55%R.H.) All models can be equipped with a R404A refrigeration system.

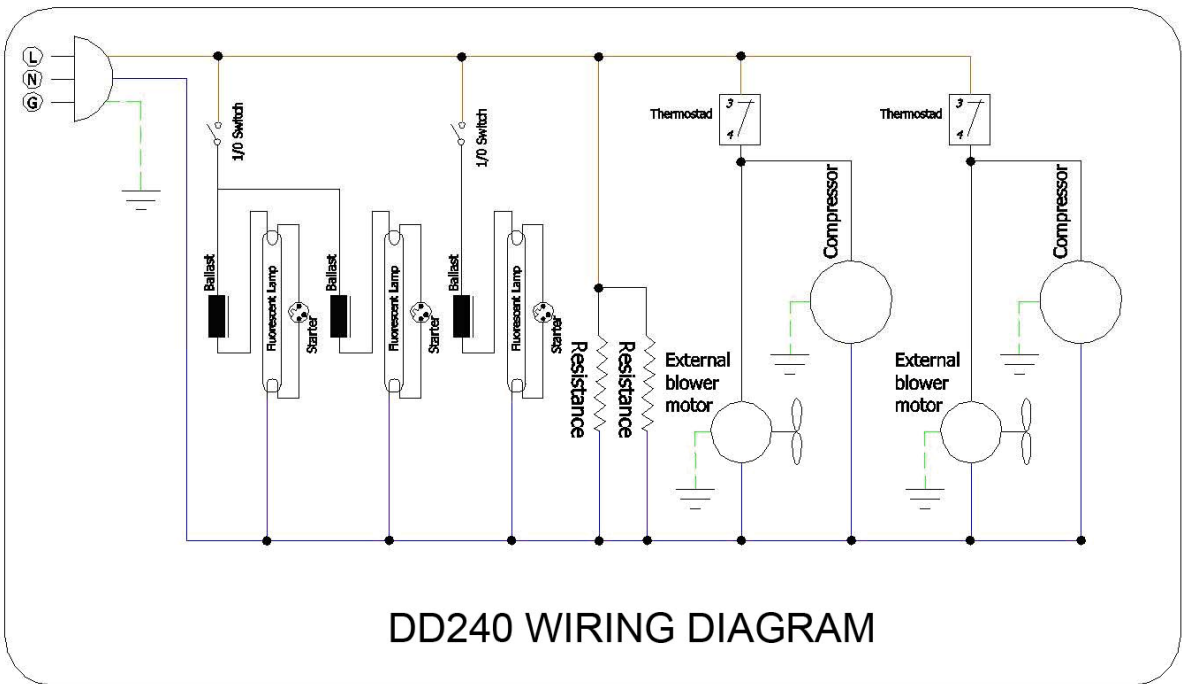
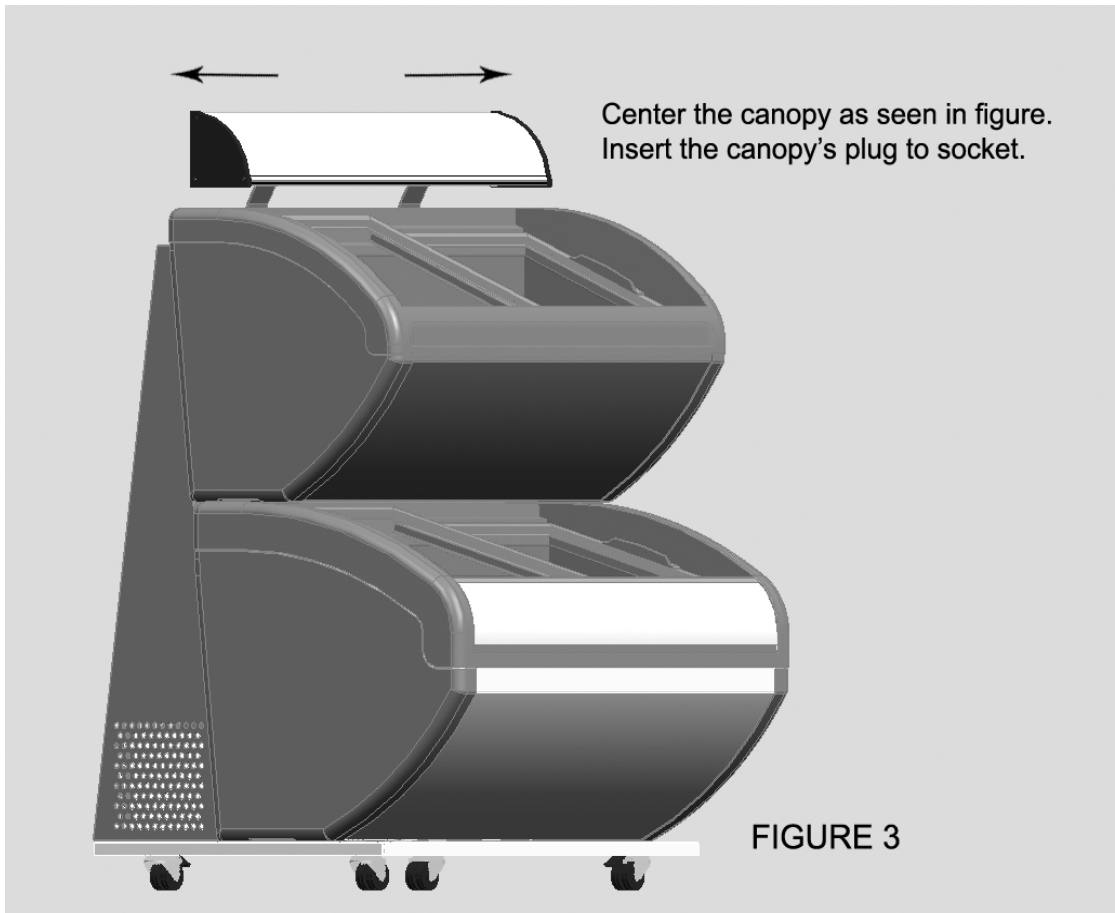
As an option the sliding g/ass /ids can be replaced by sliding solid insulated lids.

Description		DD240
Class		4 ( 30°C / 55 % Rh )
Temperature range	°C	- 12°C / - 22 °C
Voltage (*)	V	230
Power	W	500
Current	A	3,5
Frequency (*)	Hz	50
Net volume	Lt	TOP: 85 / BOTTOM:138
Gross volume	Lt	TOP: 94 / BOTTOM:148
External dims. ( WxDxH )	mm	1012 x 880 x 1305
Internal dims. ( WxDxH )	mm	890 x 418 / 363 x 467 / 377
Net weight	Kg	87
Gross weight	Kg	105
Refrigerant		R404a
Dividers		4
Wheels (OD 50mm)		4

(\*) It changes according to countries.

## DD240 CANOPY ASSEMBLY





**Code No: A1304000157**