



GUARDIAN II & III

Product manual Walk-in safety bathtub

⚠ Important suggestions:

Read this manual before installing this product.

There is important product safety information in this manual, so please be sure to keep it





SAFETY GUIDELINES

WARNING:

- Do not use the product if you have high blood pressure, are suffering heart disease or intoxicated.

MUST:

- Electric system should be properly grounded.
- The product should be installed by qualified professional personnel as per the safety regulations regarding electricity and plumbing installation requirements prescribed by the local laws and regulations.
- Electrical wiring should be done as per the safety regulations regarding electrical code of the state or county where the unit is being installed.
- The temperature of hot water supplied should stay under 50°C (122°F).
- Adjust the setting to the desired water temperature before using any function. During the process of temperature adjustment, test the water temperature with your hand to verify that the temperature is suitable.
- Shut off the power supply and turn off the cold/hot water supply valve after using the product.
- If any abnormal performance happens, contact your local sales agent or service center in due time.

PROHIBITION:

- Non-professional personnel are not authorised to dismantle or overhaul the product.
- The product is for indoor and residential use only. It can never be used outdoors.

CAUTIONS:

For your benefit, keep these instructions manual together with the original invoice.

EXCLUSIONS:

The manufacturer of the product shall be in no case liable for any problem or accident arising out of or in connection with the failure in following the above-mentioned regulations or the requirements stipulated in the Instructions.

DECLARATION: The Company reserves the right to make changes to the product without prior notice.

Table of Contents

I. Features.....	1
1. Power Supply and Power.....	1
2. Water Pressure & water pipe Parameter.....	1
3. Dimension and Specification of water capacity.....	1
4. Protective sort & Protective grade.....	1
5. Configuration.....	1
II. Usage of bathtub	1
1. Notice for using the bathtub.....	2
2. Adjusting water temperature, showering by hand-held shower head and filling water into the tub.....	2
3. Operating the massage pump.....	2
4. Operating thermostat.....	2
5. Notice prior to leaving the bathtub.....	2
6. Accessing the air and plumbing cleanser.....	2
7. Using the shelf.....	2
III. Maintenance.....	3
IV. Schedule.....	4
V. Attaching the installation instruction of thermostat water valve	

Features

1. Power Supply and Power

Power supply : 220-240V AC 50/60Hz.

Consumption :

Air jet:pump power:0.25Hp

2. Water Pressure & Water Pipe Parameter

Normal working water pressure : 0.2-0.5Mpa ; water flow : 11L/min.

Water connection: Cold/Hot water pipe ½" ; drainage pipe:φ40mm

3. Dimension and Specification of Bathtub Cubage

Dimension and specification :

GUARDIAN III (W : 1440mm , D : 740mm , H : 750mm)

Bathtub capacity : GUARDIAN III: 200L

4. Protective sort & Protective grade

Level of security : I ; Level of protection : Ip24

5. Configuration

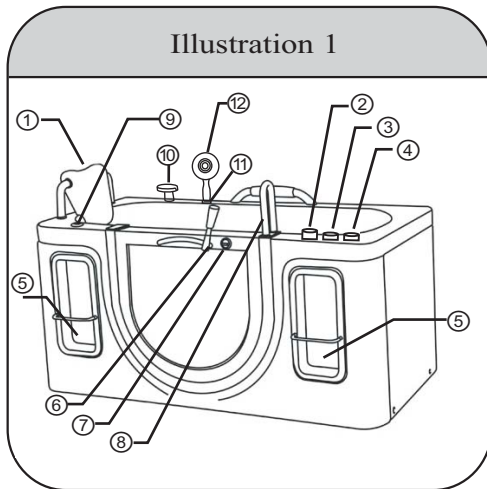
The main configurations of the Guardian Walk In Soaker

5. Certification

ETL Certified



Illustration 1: This exhibit illustrates of the components of the Guardian series



- | | | |
|-------------------------------|---------------------------------|-------------------------|
| ① Pillow | ⑥ Door handle | ⑩ Waterfall filler |
| ② Adjustable temperature knob | ⑦ Safety lock | ⑪ Shower head holder |
| ③ Shower knob | ⑧ Grab bar | ⑫ Hand-held shower head |
| ④ Water inlet knob | ⑨ Pneumatic switch for air pump | ⑬ Jet |
| ⑤ Shelf | | ⑭ Drain fitting |

Explanation: the appearances and position of the above mentioned parts are based on the standard models. Actual unit might differ from above illustration.

MAINTENANCE

1. **Keep the bathtub clean and neat.**
2. **DO NOT USE any abrasive cleaning products on the acrylic.**
3. **To insure the lifetime usage of electrical parts of bathtub, please stop working for 30 minutes every 3 hours of continuous usage.**
4. **DO NOT USE strong acid or alkaline liquid to clean the bathtub or other parts.**
5. **When cleaning the shell and floor of the bathtub, please use a soft and dry duster cloth; If there is slight dirt, please use a soft cloth or sponge to clean with neutral cleanser; Use ethanol to get rid of resistant stains.**
6. **ONLY USE detergent specially made for bathroom cleaning and strictly follow the instruction specified on the container. The following substances are NOT TO BE USED: acid or alkaline solution, medicine, acetone diluents and decontamination powder. Otherwise the product may perform abnormally which may cause the user harm.**
7. **DO NOT hit or strike the surface of acrylic, glass and/or metal parts to avoid breaking; DO NOT USE corrosive liquid to clean the surface of acrylic, glass and metal parts to avoid damaging the polish; DO NOT USE any coarse material to clean the surface of acrylic, glass and metal parts to avoid scratching.**
8. **Frequently check power lines, switches, water supply pipes, drainage pipes and see if they have been damaged.**
9. **For AIR SYSTEM only: After using the tub, it is recommended to turn on the air pump for 5min. Once the tub is empty in order to push out any water in the air pipes and keep the air jets dry and clean.**

1. Notice of entering the bathtub

Before entering the bathtub, please push the handle first to open the door, then close it and lock the safety lock after entering.

Warning:

- 1) Before closing the door, please make sure that the crossbar is completely in the door. Otherwise the crossbar will hit and scrape the bathtub.
- 2) The door handle is only for opening or closing door. ***Do not use as a support*** for the whole body.
- 3). When the bathtub is filled with water, do not push the door handle and keep the safety lock in the closed position. Otherwise water will pour away accidentally.

2. Temperature Adjustment & Handset Showerhead & Filling water into the bathtub

2.1 Turn the drain knob clockwise to close off the drain.

2.2 Turn the faucet anti-clockwise to open and fill tub with water as desired.

2.3 Turn the temperature valve until the desired water temperature is reached. Please note: turning clockwise increases the water temperature, while turning anti-clockwise reduces the water temperature.

2.4 When the tub is filled with water and the water level is near the bottom line of drain fitting, turn the water valve clockwise to shut off the water.

2.5 Turn the shower head valve to turn on the hand-held shower.

The faucet of shower head and the waterfall faucet can be turned on simultaneously. The user can fill the tub while showering.

Warning:

Before filling the water, please set the water to a low temperature to prevent scalding. Adjust temperature as desired once water has begun filling the bath.

3. Operating the Air pump

3.1 Press the air switch button of massage pump to operate the massage pump system for enjoying your massage. Press it again to shut off the pump when you finish the massage.

4. Notice of leaving the bathtub.

4.1 After your bath, please turn the drain knob anti-clockwise to drain the bath.

Wait until drainage is completed before opening the door.

5. Using the shelf

5.1 Put the articles for bath use on the shelf. To service the tub, remove the screws located around the shelf and pull the acrylic panel off the Guardian.

SCHEDULE —

Jade Bathroom Products

Accessory list of GUARDIAN III

Accessory	Unit	air jet		
tub shell	pc	1		
tub-door	pc	1		
safety lock	set	1		
shelf (acrylic)	pc	1		
shelf bar (stainless steel)	pc	2		
safety grab bar (stainless steel)	pc	2		
door grab bar (stainless steel)	pc	1		
waterfall faucet (stainless steel)	pc	1		
water valve (manifold)	set	1		
massage jets	pc	8		
hand-held shower head	pc	1		
shower head holder	pc	1		
pillow	pc	1		
pneumatic switch	pc	1		
drain fitting	pc	1		
ELCB (circuit breaker)	pc	1		
air pump(0.25HP)	pc	1		

NOTE:

ELCB (circuit breaker) CE standard: 16A

INSTALLATION PROCEDURE OF PUMP COVER

STEP 1.



Connect the cover to the pump.

STEP 2.



Fix the cover to the pump
with 4 screws.

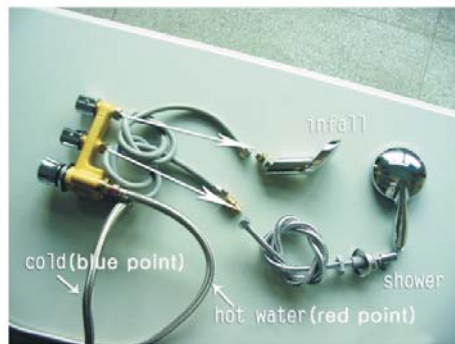
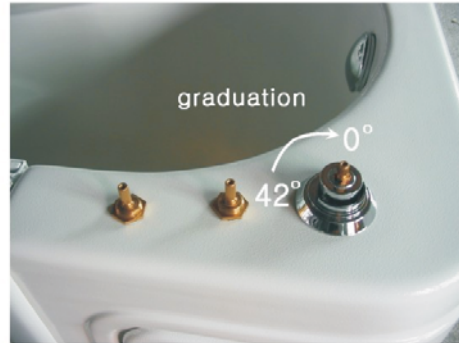
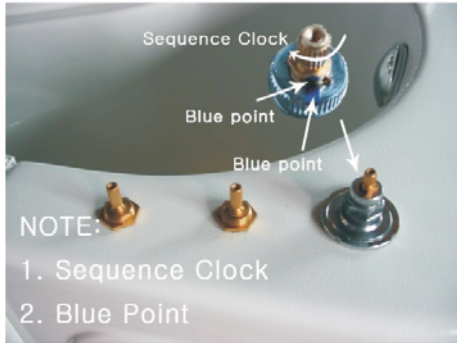
Thermostatic valve maintenance



- 1) Unscrew top small screw of Thermostatic Valve
- 2) Remove Thermostatic Valve Cap
- 3) Check if the 2 red marks are aligned
- 4) Turn on the faucet and turn the Thermostatic valve without the cap to pass the 38 degree stop
- 5) If water temperature is higher, then you need to remove the Thermostatic Graduation Ring and reposition it to enable a higher temperature

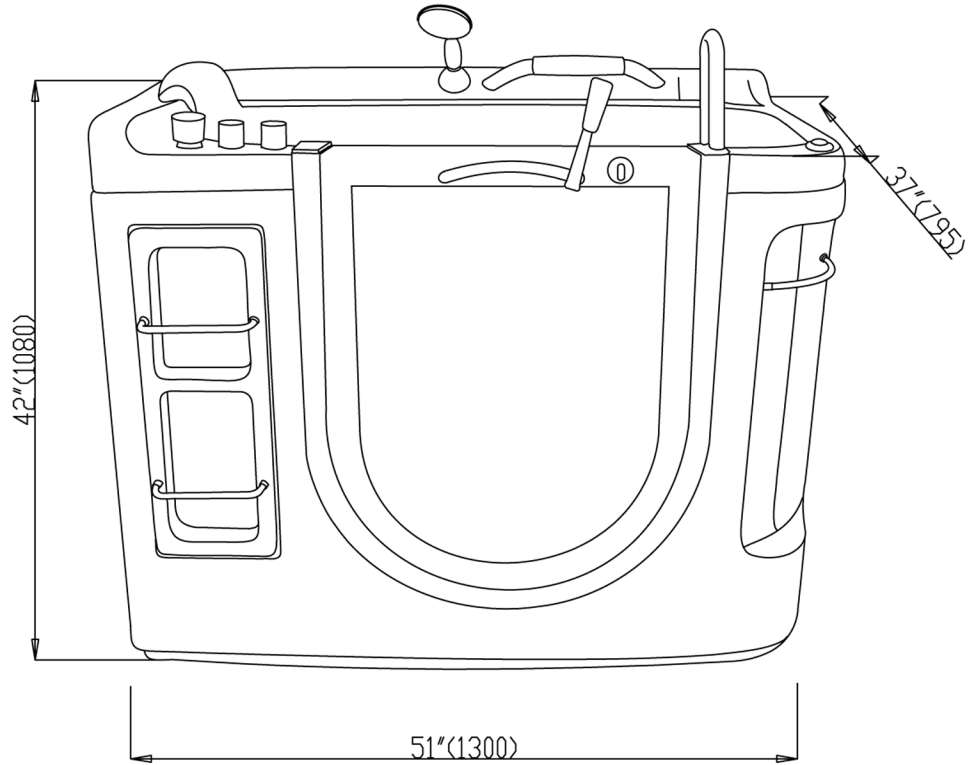
Note: as there is silicone under the Graduation Ring you need to slowly try to remove it using a flat screw driver or use a small knife all around to free the silicone. The graduation cap is just snap on top of the valve and not screwed on to it.

Features Installations

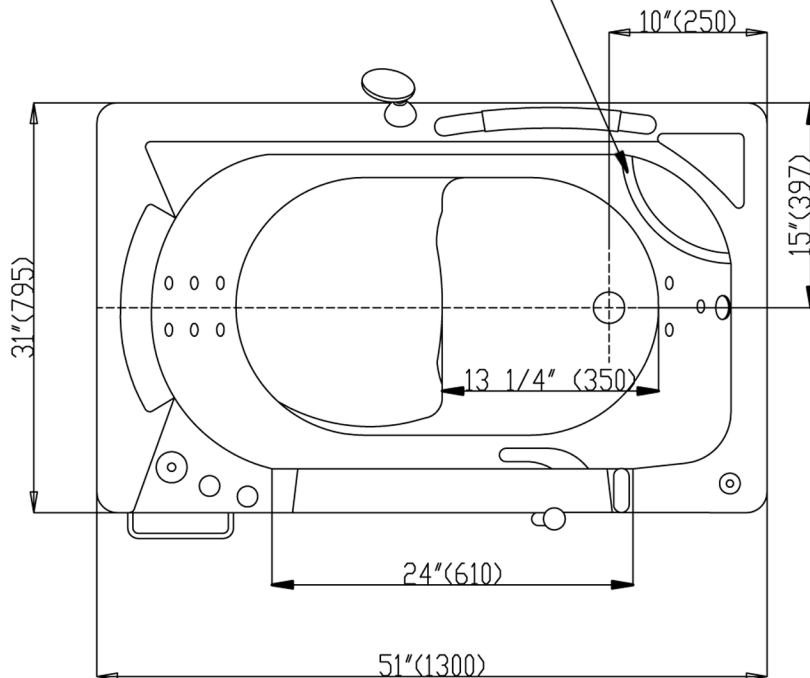




GUARDIAN II



Hose where whater fills.
(Next to the overflow.)





GUARDIAN III

