

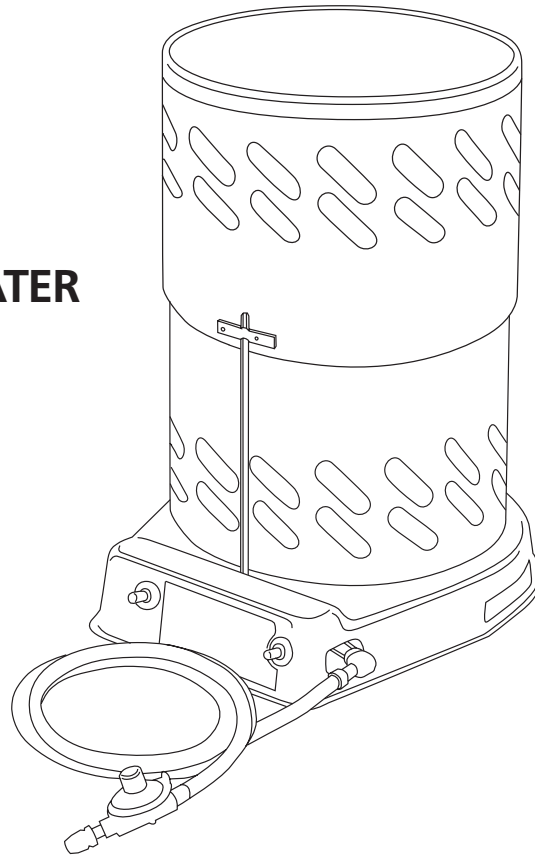


OPERATING INSTRUCTIONS AND OWNER'S MANUAL

Model #
MH80CV
MH200CV

READ INSTRUCTIONS CAREFULLY: Read and follow all instructions. Place instructions in a safe place for future reference. Do not allow anyone who has not read these instructions to assemble, light, adjust or operate the heater.

CONVECTION CONSTRUCTION HEATER



WARNING: If the information in this manual is not followed exactly, a fire or explosion may result causing property damage, personal injury or loss of life.

- Do not store or use gasoline or other flammable vapors and liquids in the vicinity of this or any other appliance.
- An LP cylinder not connected for use shall not be stored in the vicinity of this or any other appliance.
- WHAT TO DO IF YOU SMELL GAS
 - Do not try to light appliance.
 - Extinguish any open flame.
 - Shut off gas to appliance.
- Service must be performed by a qualified service agency.

This is an unvented gas-fired portable heater. It uses air (oxygen) from the area in which it is used. Adequate combustion and ventilation air must be provided. Refer to page 3.

WARNING:

- ⚠ YOUR SAFETY IS IMPORTANT TO YOU AND TO OTHERS, SO PLEASE READ THESE INSTRUCTIONS BEFORE YOU OPERATE THIS HEATER.

GENERAL HAZARD WARNING:

- ⚠ FAILURE TO COMPLY WITH THE PRECAUTIONS AND INSTRUCTIONS PROVIDED WITH THIS HEATER, CAN RESULT IN DEATH, SERIOUS BODILY INJURY AND PROPERTY LOSS OR DAMAGE FROM HAZARDS OF FIRE, EXPLOSION, BURN, ASPHYXIATION, CARBON MONOXIDE POISONING, AND/OR ELECTRICAL SHOCK.
- ⚠ ONLY PERSONS WHO CAN UNDERSTAND AND FOLLOW THE INSTRUCTIONS SHOULD USE OR SERVICE THIS HEATER.
- ⚠ IF YOU NEED ASSISTANCE OR HEATER INFORMATION SUCH AS AN INSTRUCTIONS MANUAL, LABELS, ETC. CONTACT THE MANUFACTURER.

WARNING:

- ⚠ NOT FOR HOME OR RECREATIONAL VEHICLE USE

WARNING:

- ⚠ FIRE, BURN, INHALATION, AND EXPLOSION HAZARD. KEEP SOLID COMBUSTIBLES, SUCH AS BUILDING MATERIALS, PAPER OR CARDBOARD, A SAFE DISTANCE AWAY FROM THE HEATER AS RECOMMENDED BY THE INSTRUCTIONS NEVER USE THE HEATER IN SPACES WHICH DO OR MAY CONTAIN VOLATILE OR AIRBORNE COMBUSTIBLES, OR PRODUCTS SUCH AS GASOLINE, SOLVENTS, PAINT THINNER, DUST PARTICLES OR UNKNOWN CHEMICALS.

THE STATE OF CALIFORNIA REQUIRES THE FOLLOWING WARNING:

WARNING:

- ⚠ COMBUSTION BY-PRODUCTS PRODUCED WHEN USING THIS PRODUCT CONTAIN CARBON MONOXIDE, A CHEMICAL KNOWN TO THE STATE OF CALIFORNIA TO CAUSE CANCER AND BIRTH DEFECTS (OR OTHER REPRODUCTIVE HARM).

TABLE OF CONTENTS

HEATER SPECIFICATIONS	2
WARNINGS	2
OPERATING PRECAUTIONS	3
SAFETY PRECAUTIONS	3
ODOR FADE WARNING	4
CAUTION: SHELL EXTENSION INSTRUCTIONS.	5
OPERATING INSTRUCTIONS	6
SERVICING	6
SIZE AND CAPACITY OF PROPANE CYLINDERS REQUIRED	7
MH80CV - PARTS	8
MH200CV - PARTS	9
WARRANTY	12
INSTRUCTIONS FOR ORDERING PARTS	12

SPECIFICATIONS

Type of Gas: For use with Propane Only

Gas Supply
Pressure

to regulator Max.: Bottle Pressure Min.: MH80CV
= 5 psig (34.5 kPa)
Min.: MH200CV
= 15 psig (103 kPa)

regulator out MH80CV MH200CV
= 11" W.C. (2.74 kPa) = 10 psig (68.9 kPa)

Ignition: Piezo Ignitor

Minimum
Ambient

Temp. Rating 0°F (-17.8°C)

Model: MH80CV MH200CV

Rating: 30,000-80,000 Btu/hr 75,000-200,000 Btu/hr
(8.79 - 23.4 kW) (22.0 - 58.6 kW)

Fuel

Consumption: ... 1.4 to 3.7 #/hr 3.5 - 0.3 #/hr
(.74 - 1.80 kg/hr) (1.44 - 4.32 kg/hr)

Fuel Orifice

Port No.: 6 6

Fuel Orifice

Port Size: 0.0472" 0.0320"
(1.20mm) (.813mm)

OPERATING PRECAUTIONS

This is a propane, direct-fired, convection heater. It's intended use is primarily temporary heating of buildings under construction, alteration or repair.

Propane is heavier than air. If propane leaks from a connection or fitting, it sinks to the floor, collecting there with the surrounding air, forming a potentially explosive mixture. Obviously, propane leaks should be avoided, so set up the propane supply with utmost care. Read enclosed Odor Fade and Propane Sheet for additional information about detecting propane leaks. Leak check new connections or reconnections with a soap and water solution and follow all connection instructions herein. Also, ask your propane dealer for advice on the propane application and supply installation and ask him to check it if there are any questions.

This heater was designed and certified for use as a construction heater in accordance with ANSI Standard Z83.7/CGA 2.14-2000. Check with your local fire safety authority if you have any questions about your applications. Other standards govern the use of fuel gases and heat producing products in specific applications. Your local authority can advise you about these.

Direct-Fired means that all of the combustion products enter the heated space. Even though this heater operates very close to 100 percent combustion efficiency, it still produces small amounts of carbon monoxide. Carbon monoxide (called CO) is toxic. We can tolerate small amounts but not a lot. CO can build up in a heated space and failure to provide adequate ventilation could result in death. The symptoms of inadequate ventilation are:

- headache
- dizziness
- burning eyes and nose
- nausea
- dry mouth or sore throat

So, be sure to follow advice about ventilation in these operating instructions.

When the heater is to be operated in the presence of other people the user is responsible for properly acquainting those present with the safety precautions and instructions, and of the hazards involved.

Figure 1

VENTILATION: Minimum openings required

Heater	Opening near floor	Opening near ceiling
Convection MH80CV, MH200CV 2 ft ² 2 ft ²

SAFETY PRECAUTIONS

1. Check the heater thoroughly for damage. DO NOT operate a damaged heater.
2. **DO NOT** modify the heater or operate a heater which has been modified from its original condition.
3. **DO NOT** light or operate heater unless the shells are fully extended and locked into position. See enclosed assembly sheet for instructions.
4. Use only propane gas.
5. Use only VAPOR WITHDRAWAL propane supply. If there is any question about vapor withdrawal, ask your propane dealer.
6. Mount the propane cylinders vertically (shutoff valve up). Secure them from falling or being knocked over and protect them from damage.
7. Locate propane containers at least (USA) 7 ft. (2.13m) for MH80CV and 9 ft. (2.7m) for MH200CV (Canada) 10 ft. (3m) from the heater and **do not** direct exhaust toward containers.
8. **IMPORTANT** Use only the hose and regulator assembly provided with the heater. Match the color stripe on the hangtag attached to the hose assembly with the color on the label located near the propane inlet fitting on the heater. Inspect hose assembly before each use of the heater. If there is excessive abrasion or wear, or hose is cut, replace with hose assembly listed on parts list before using heater.
9. For indoor use only. Area must be well ventilated. **Figure 1.** (also see "Operating Precautions").
10. If at any time gas odor is detected, IMMEDIATELY DISCONTINUE operation until the source of gas has been located and corrected. Read enclosed Odor fade and Propane Sheet for additional information about detecting propane leaks.
11. Install the heater such that it is not directly exposed to water spray, rain and/or dripping water.
12. Maintain minimum clearance from normal combustible material (like paper). **Figure 2.**
13. Due to the high surface and exhaust temperatures, adults and children must observe clearances to avoid burns or clothing ignition.
14. Operate only on a stable, level surface.
15. Do not use with duct work. Do not restrict inlet or exit.
16. Do not move, handle or service while hot or burning.
17. Use only in accordance with local codes or, in the absence of local codes, with the Standard for the Storage and Handling of Liquefied Petroleum Gases ANSI/NFPA 58 and CSA B149.1, Natural Gas and Propane Installation Code.

Figure 2

MINIMUM CLEARANCE: From normal combustible material

Clearance	MH80CV, MH200CV Convection
From sides 4 ft
From top 6 ft

Locate 10' from canvas or plastic tarpaulins or similar coverings and secure them to prevent flapping or movement due to wind action.

ODOR FADE WARNING

WARNING

⚠️ Asphyxiation Hazard

- Do not use this heater for heating human living quarters.
- Do not use in unventilated areas.
- The flow of combustion and ventilation air must not be obstructed.
- Proper ventilation air must be provided to support the combustion air requirements of the heater being used.
- Refer to the specification section of the heater's manual, heater dataplate, or contact the factory to determine combustion air ventilation requirements of the heater.
- Lack of proper ventilation air will lead to improper combustion.
- Improper combustion can lead to carbon monoxide poisoning leading to serious injury or death. Symptom of carbon monoxide poisoning can include headaches dizziness and difficulty in breathing.

FUEL GAS ODOR

LP gas and natural gas have man-made odorants added specifically for detection of fuel gas leaks.

If a gas leak occurs you should be able to smell the fuel gas. Since Propane (LP) is heavier than air you should smell for the gas odor low to the floor. ANY GAS ODOR IS YOUR SIGNAL TO GO INTO IMMEDIATE ACTION!

- Do not take any action that could ignite the fuel gas. Do not operate any electrical switches. Do not pull any power supply or extension cords. Do not light matches or any other source of flame. Do not use your telephone.
- Get everyone out of the building and away from the area immediately.
- Close all propane (LP) gas tank or cylinder fuel supply valves, or the main fuel supply valve located at the meter if you use natural gas.
- Propane (LP) gas is heavier than air and may settle in low areas. When you have reason to suspect a propane leak, keep out of all low areas.
- Use your neighbor's phone and call your fuel gas supplier and your fire department. Do not re-enter the building or area.
- Stay out of the building and away from the area until declared safe by the firefighters and your fuel gas supplier.
- FINALLY, let the fuel gas service person and the firefighters check for escaped gas. Have them air out the building and area before you return. Properly trained service people must repair any leaks, check for further leakages, and then relight the appliance for you.

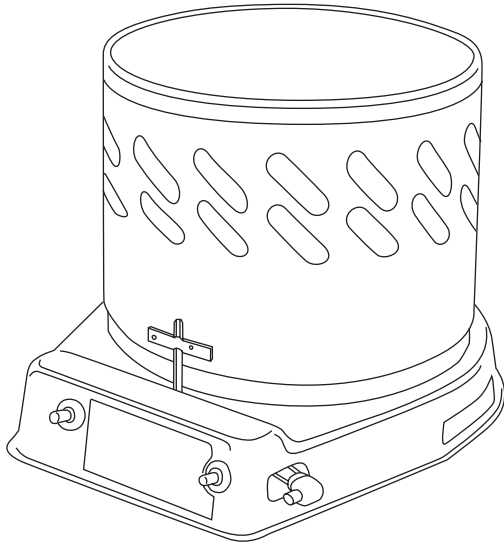
ODOR FADING - NO ODOR DETECTED

- Some people cannot smell well. Some people cannot smell the odor of the man-made chemical added to propane (LP) or natural gas. You must determine if you can smell the odorant in these fuel gases.
- Learn to recognize the odor of propane (LP) gas and natural gas. Local propane (LP) gas dealers will be more than happy to give you a scratch and sniff pamphlet. Use it to become familiar with the fuel gas odor.
- Smoking can decrease your ability to smell. Being around an odor for a period of time can affect your sensitivity to that particular odor. Odors present in animal confinement buildings can mask fuel gas odor.
- **The odorant in propane (LP) gas and natural gas is colorless and the intensity of its odor can fade under some circumstances.**
- If there is an underground leak, the movement of gas through the soil can filter the odorant.
- Propane (LP) gas odor may differ in intensity at different levels. Since Propane (LP) gas is heavier than air, there may be more odor at lower levels.
- **Always be sensitive to the slightest gas odor.** If you continue to detect any gas odor, no matter how small, treat it as a serious leak. Immediately go into action as discussed previously.

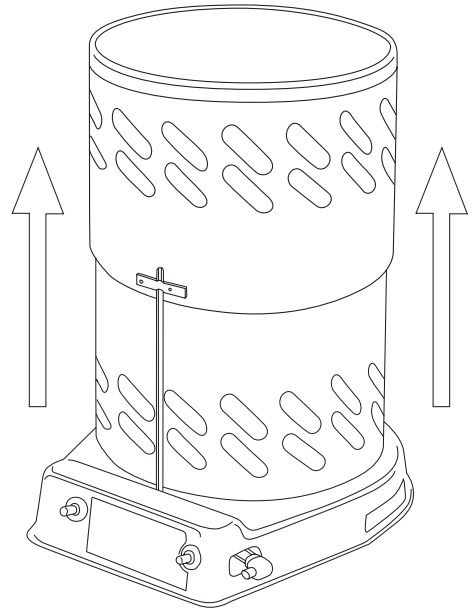
ATTENTION - CRITICAL POINTS TO REMEMBER!

- Propane (LP) gas has a distinctive odor. Learn to recognize these odors. (Reference Fuel Gas Odor and Odor Fading sections above.)
- Even If you are not property trained in the service and repair of the heater, ALWAYS be consciously aware of the odors of propane (LP) gas and natural gas.
- If you have not been properly trained in repair and service of propane (LP) gas then do not attempt to light heater, perform service or repairs, or make any adjustments to the heater on the propane (LP) gas fuel system.
- A periodic sniff test around the heater or at the heater's joints; i.e. hose, connections, etc., is a good safety practice under any conditions. If you smell even a small amount of gas, CONTACT YOUR FUEL GAS SUPPLIER IMMEDIATELY. DO NOT WAIT!

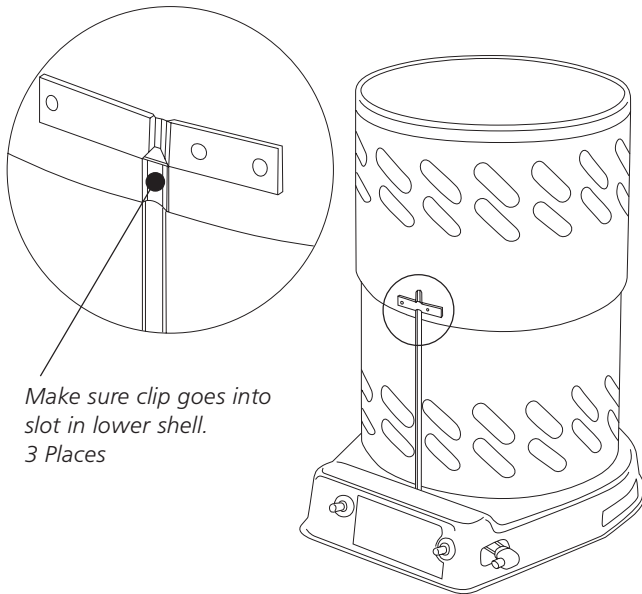
CAUTION: NEVER IGNITE AND / OR RUN THIS HEATER UNLESS THE SHELLS ARE FULLY EXTENDED AND LOCKED INTO POSITION.



STEP 1: HEATER AS RECEIVED OUT OF BOX. BEFORE LIFTING OUTER SHELL PROTECT HANDS. NEVER GRASP BARE METAL WITHOUT HAND PROTECTION.

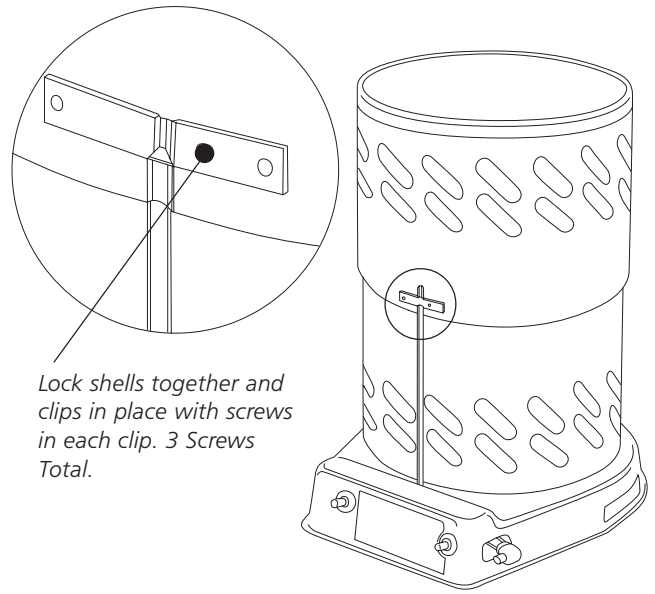


STEP 2: LIFT OUTER SHELL STRAIGHT UP. CARE MUST BE TAKEN TO PROTECT HANDS DURING LIFT.



*Make sure clip goes into slot in lower shell.
3 Places*

STEP 3: LIFT OUTER SHELL UNTIL ALL THREE CLIPS ENGAGE SLOTS IN LOWER SHELL. WHEN THIS HAPPENS, THE SCREW HOLES WILL LINE UP.



Lock shells together and clips in place with screws in each clip. 3 Screws Total.

STEP 4: LOCK THE CLIP INTO PLACE WITH 3 SCREWS AS SHOWN. THE HEATER MUST NOT BE OPERATED UNLESS THE OUTER SHELL IS PROPERLY EXTENDED AND FULLY LOCKED INTO PLACE.

CAUTION: NEVER IGNITE AND / OR RUN THIS HEATER UNLESS THE SHELLS ARE FULLY EXTENDED AND LOCKED INTO POSITION.

OPERATING INSTRUCTIONS

PREPARING FOR OPERATION

1. Extend the shell fully and lock into place as shown in the enclosed instructions sheet before lighting or operating the heater.
2. Check the heater for possible shipping damage. If any is found, *immediately* notify the factory.
3. Follow all of the Safety and Operating Precautions.
4. Connect the POL fitting of hose and regulator assembly to the propane cylinder by rotating the POL nut counterclockwise into the propane cylinder's valve outlet and securely tighten with a wrench.
5. Connect the hose to the heater.
6. Securely tighten all gas connections.
7. Open the cylinder's gas valve and check all gas connections with a soap and water solution. DO NOT USE A FLAME.

START

1. **WARNING: BEFORE LIGHTING PILOT**, fully close the ball valve (turn knob fully clockwise).
2. Fully open the valve on the propane cylinder and wait 15 seconds before Step 3.
3. Depress red button on safety pilot valve admitting gas to the heater. Then push and release the ignition button until the pilot lights.
4. When the pilot lights, continue to hold the button depressed for 30 seconds, then release.
5. If pilot goes out, wait 5 minutes and repeat the lighting procedure.
6. When the pilot remains lit, open the ball valve (turn knob counter clockwise) to light main burner. Partially close valve to regulate heat output.

STOP

1. Securely close valve on the propane cylinder.
2. Continue to operate heater until all fuel in the hose has burned.
3. Fully close the ball valve.

RESTART AFTER SAFETY SHUTDOWN

1. Securely close valve at propane cylinder.
2. Wait 5 minutes.
3. Restart following "Start" procedure.

MAINTENANCE AND STORAGE

1. The heater should be inspected before each use, and at least annually by a qualified person.
2. Before each use, check the soft "O" ring seat at the bullnose of the POL fitting. If the "O" ring is cut, scuffed, or otherwise damaged, replace it with part number 6681.
3. Turn off the gas at the LP-gas supply cylinder(s) when the heater is not in use.
4. When the heater is to be stored indoors, the connection between the LP-gas supply cylinder(s) and the heater must be disconnected and the cylinder(s) removed from the heater and stored out of doors and in accordance with Chapter 5 of the standard for Storage and Handling of Liquefied Petroleum Gases ANSI/NFPA 58 and CSA B149.1, Natural Gas and Propane Installation Code.

SERVICING

A hazardous condition may result if a heater is used that has been modified or is not functioning properly. When the heater is working properly:

- * The flame is contained within the heater.
- * The flame is essentially blue with perhaps some yellow tipping.
- * There is no strong disagreeable odor, eye burning or other physical discomfort.
- * There is no smoke or soot internal or external to the heater.
- * There are no unplanned or unexplained shut downs of the heater.

The parts lists and exploded view show the heater as it was constructed. Do not use a heater which is different from that shown. In this regard, use only the hose, regulator and cylinder connection fitting (called a POL fitting) supplied with the heater.

IMPORTANT Match the color stripe on the hangtag attached to the hose assembly with the color on the label located near the propane inlet fitting on the heater. Do not use alternates. For this heater, the regulator must be set as shown in "specifications". If there is any uncertainty about the regulator setting, have it checked.

A heater which is *not* working right must be repaired, but *only* by a trained, experienced service person.

In-warranty products will be repaired with no charge for either parts or labor. Please include a brief statement indicating date, place of purchase, the nature of the problem and proof of purchase.

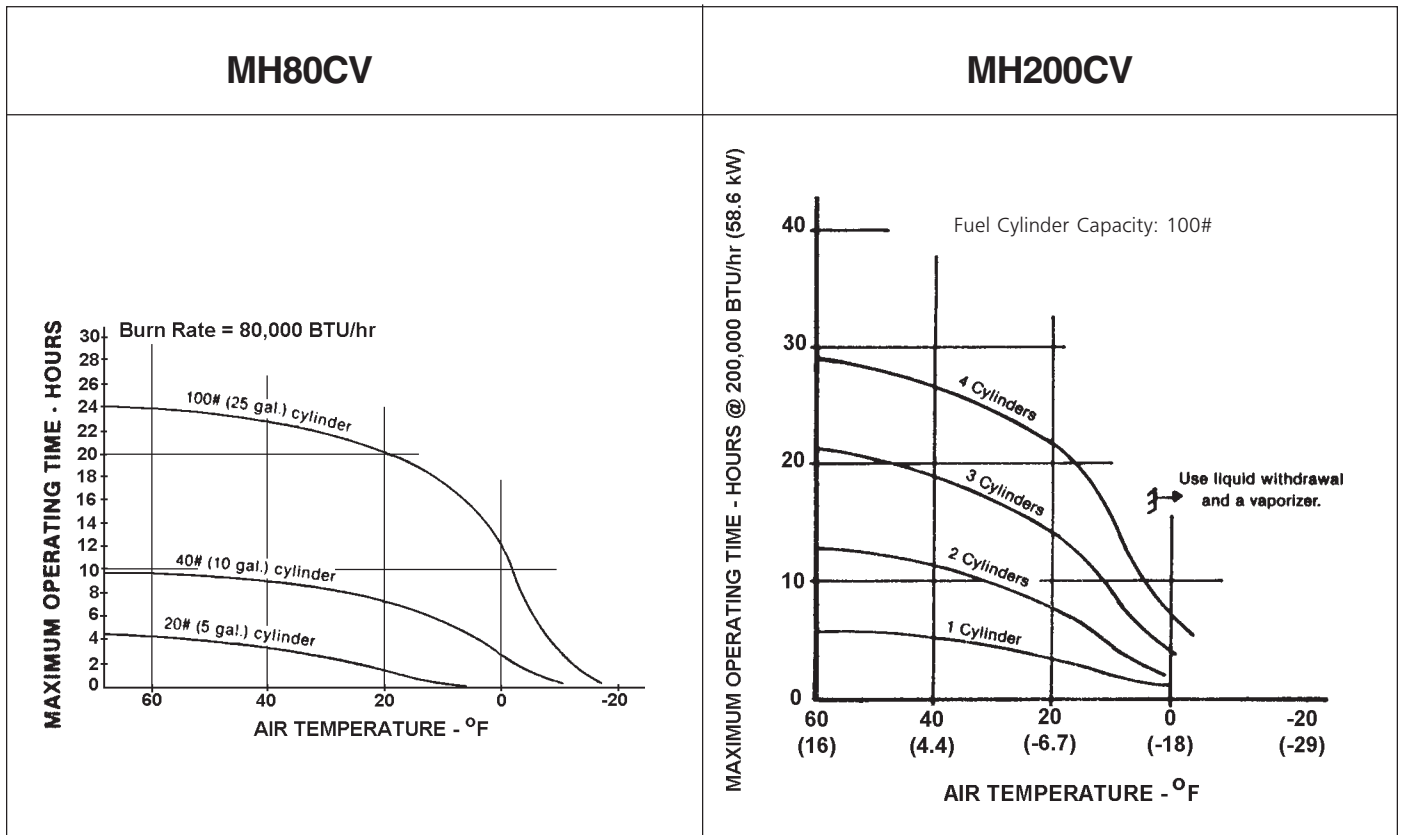
Out-of-warranty products will be repaired with a charge for parts and labor.

SIZE AND CAPACITY OF PROPANE CYLINDERS REQUIRED

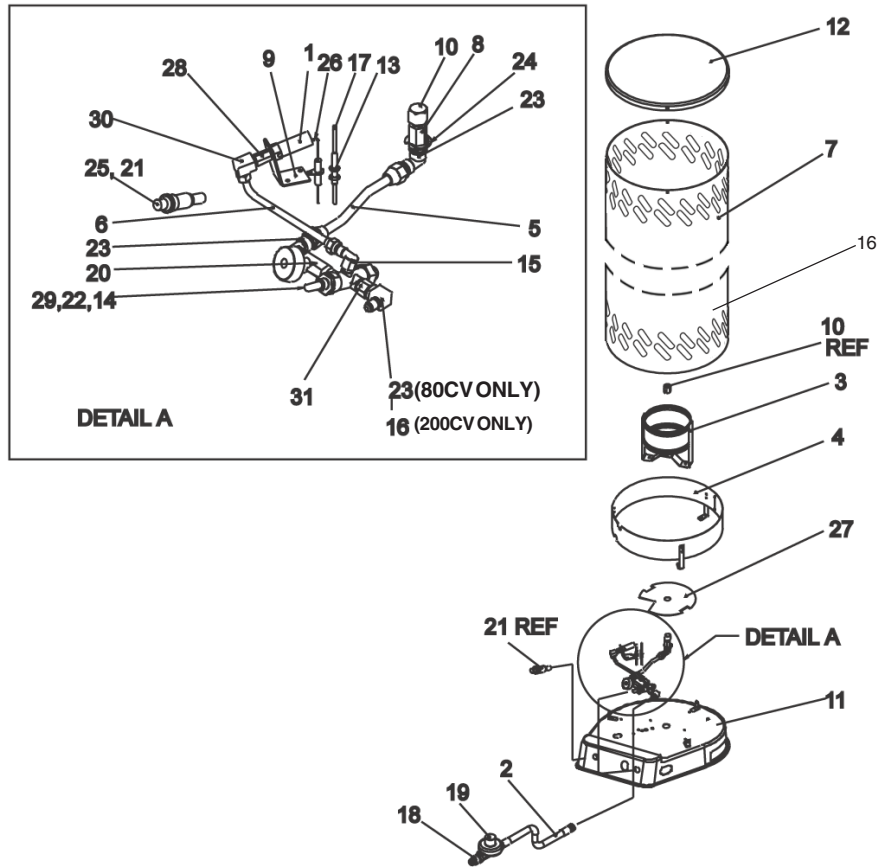
The charts below show the approximate size of the cylinder required for these heaters. To use the chart:

1. Select the lowest air temperature expected (at the bottom of the chart).
2. Move straight up to time of operation desired (left side of chart).
3. Read the cylinder size required.

All heaters should have:
 full cylinders
 good air circulation
 no frost on cylinders



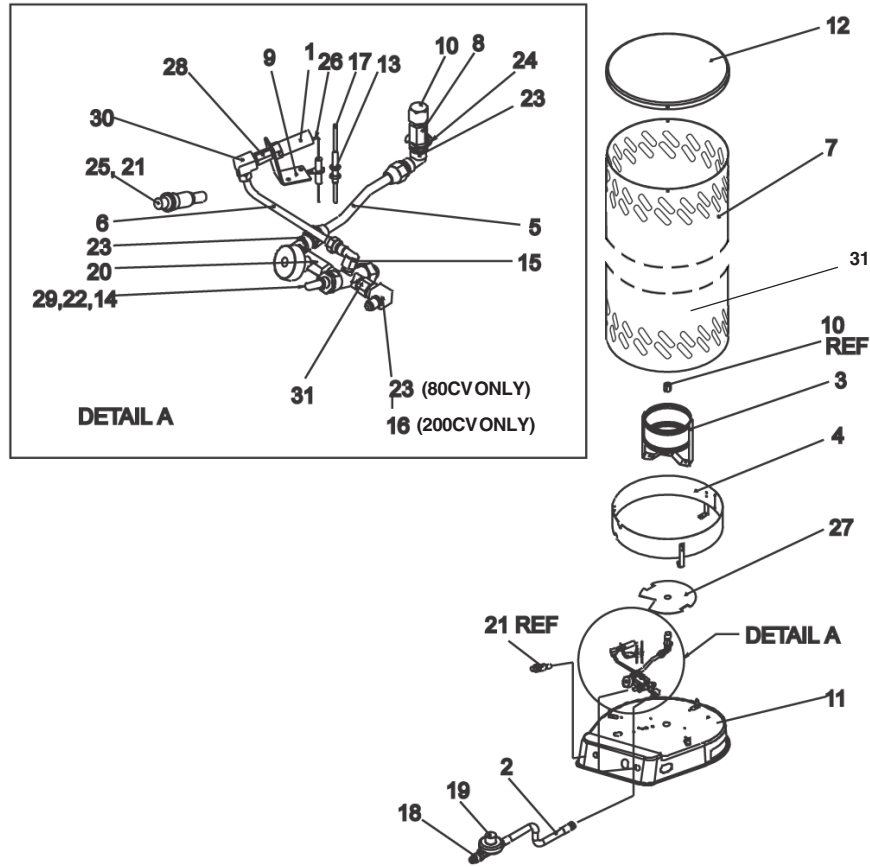
Mr. Heater • Convection Construction Heater • Model #MH80CV



REF. #	ITEM #	Description	Qty	REF. #	ITEM #	Description	Qty
1	8634	Pilot LP Ass'y	1	19	6255	Regulator	1
2	6152	Hose Ass'y	1	20	8654	Valve, Ball	1
3	8635	Burner Ring	1	21	6473	Piezo Ignitor	1
4	8636	Ring Shield	1	22	6503	Nut Hex 1/2-28 TE Valve	1
5	8637	Fuel Tube Ass'y	1	23	7172	Ftg., Elbow Female 1/4 FPTx 3/8 FLR 3	1
6	8638	Pilot Tube Ass'y	1	24	8162	External Retaining Ring	1
7	2239	Upper Shell	1	25	7161	Piezo Nut	1
8	8639	Orifice Adapter	1	26	7652	Electrode w/7" wire	1
9	8640	Bracket, Pilot Mounting	1	27	4293	Heat Shield	1
10	8641	Orifice, LP	1	28	8644	Pilot Orifice	1
11	8642	Base	1	29	6689	Washer, Flat 1/16 SAE	1
12	4223	Cap	1	30	8187	Ftg., Elbow 1/8 FPT x 1/4 CPSN	1
13	6045	Clip, TC	1	*	M8760	Label, Model	1
14	6104	TE Valve	1	*	8758	Label, Safety Precautions	1
15	6137	Ftg., Elbow Female 1/4 FLRx1/8 FPT	1	*	8759	Label, Safety Precautions	1
16	2237	Lower Shell	1	*	8757	Label, Installation	1
17	8643	Thermocouple	1	*	8502	Label, Warning	1
18	6433	POL Excess Flow	1	*	8679-80	Label, BTU	1
*	6568	Fitting Adapter 1/4 FPTx1/4 MPT	1	*	8206	Hang Tag	1
*	8018	Fitting Adapter 1/8 FPT x 1/4 MPT	1	*	8651	Ball Valve Knob	1
*	70486	Manual, Operating Instructions	1	*	8655	Ball Valve Knob Insert	1

* Item not shown

Mr. Heater • Convection Construction Heater • Model #MH200CV



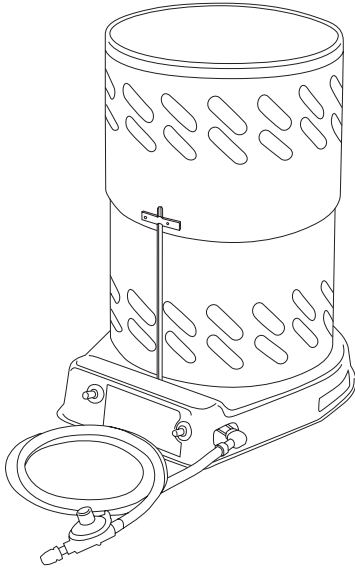
REF. #	ITEM #	Description	Qty	REF. #	ITEM #	Description	Qty
1	8645	Pilot LP Assembly	1	20	8654	Valve, Ball	1
2	1591	Hose Ass'y, LP	1	21	6473	Piezo Ignitor (225-VCA/VCB Only)	1
3	8635	Burner Ring Assembly	1	22	6503	Nut, Hex 1/2-28 TE Valve	1
4	8636	Ring Shield	1	23	7172	Ftg., Elbow Female 1/4 FPTx3/8 FLR	2
5	8637	Fuel Tube Assembly	1	24	8162	External Retaining Ring	1
6	8638	Pilot Tube Assembly	1	25	7161	Piezo Nut	1
7	2240	Upper Shell	1	26	7652	Electrode w/7" Wire	1
8	8639	Orifice Adapter	1	27	4293	Heat Shield	1
9	8640	Bracket, Pilot Mounting	1	28	8647	Pilot Orifice	1
10	8646	Orifice, LP	1	29	6689	Washer, Flat 9/16 SAE	1
11	8642	Base	1	30	8187	Fitting, Elbow 1/8 FPTx1/4 CPSN	1
12	4223	Cap	1	31	2238	Lower Shell	1
13	6045	Clip, TC	1	*	70486	Manual, Operating Instructions	1
14	6104	TE Valve	1	*	8758	Label, Safety Precautions	1
15	6137	Ftg., Elbor Female 1/4 FLRx1/8 FPT	1	*	8759	Label, Safety Precautions	1
16	6138	Ftg., Elbow Female 1/4 FPTx1/4 FLR	1	*	8757	Label, Installation	1
17	8643	Thermocouple	1	*	M8756	Label, Model	1
18	6252	POL Excell Flow	1	*	8502	Label, Warning	1
19	6256	Regulator	1	*	8679-200	BTU	1
				*	8204	Hang Tag	1
				*	8651	Ball Valve Knob	1
				*	8655	Ball Valve Knob Insert	1

*Items not shown on exploded view



OPERATING INSTRUCTIONS AND OWNER'S MANUAL

Model #
MH80CV
MH200CV



WARNING:

USE ONLY MANUFACTURER'S REPLACEMENT PARTS. USE OF ANY OTHER PARTS COULD CAUSE INJURY OR DEATH. REPLACEMENT PARTS ARE ONLY AVAILABLE DIRECT FROM THE FACTORY AND MUST BE INSTALLED BY A QUALIFIED SERVICE AGENCY.

PARTS ORDERING INFORMATION:

PURCHASING: Accessories may be purchased at any Mr. Heater local dealer or direct from the factory

FOR INFORMATION REGARDING SERVICE

Please call Toll-Free 800-251-0001 • www.mrheater.com

Our office hours are 8:30 AM – 5:00 PM, EST, Monday through Friday.

Please include the model number, date of purchase, and description of problem in all communication.

LIMITED WARRANTY

The company warrants this product to be free from imperfections in material or workmanship, under normal and proper use in accordance with instructions of The Company, for a period of one year from the date of delivery to the buyer. The Company, at its option, will repair or replace products returned by the buyer to the factory, transportation prepaid within said one year period and found by the Company to have imperfections in material or workmanship.

If a part is damaged or missing, call our Technical Support Department at 800-251-0001.

Address any Warranty Claims to the Service Department, MR. HEATER INC., 4560 W. 160TH ST., CLEVELAND, OHIO 44135. Include your name, address and telephone number and include details concerning the claim. Also, supply us with the purchase date and the name and address of the dealer from whom you purchased our product.

The foregoing is the full extent of the responsibility of the Company. There are no other warranties, express or implied. Specifically there is no warranty of fitness for a particular purpose and there is no warranty of merchantability. In no event shall the Company be liable for delay caused by imperfections, for consequential damages, or for any charges of the expense of any nature incurred without its written consent. The cost of repair or replacement shall be the exclusive remedy for any breach of warranty. There is no warranty against infringement of the like and no implied warranty arising from course of dealing or usage of trade. This warranty will not apply to any product which has been repaired or altered outside of the factory in any respect which in our judgment affects its condition or operation.

Some states do not allow the exclusion or limitation of incidental or consequential damages, so the above limitation or exclusion may not apply to you. This Warranty gives you specific legal rights, and you may have other rights which vary from state to state.

Mr. Heater Inc. reserves the right to make changes at any time, without notice or obligation, in colors, specifications, accessories, materials and models.



ANSI Z83.7/CGA 2.14-2000



MR. HEATER INC., 4560 W. 160TH ST., CLEVELAND, OHIO 44135 • 216-881-5500

Mr. Heater is a registered trademark of Enerco Group, Inc.

© 2003, Enerco/Mr. Heater. All rights reserved