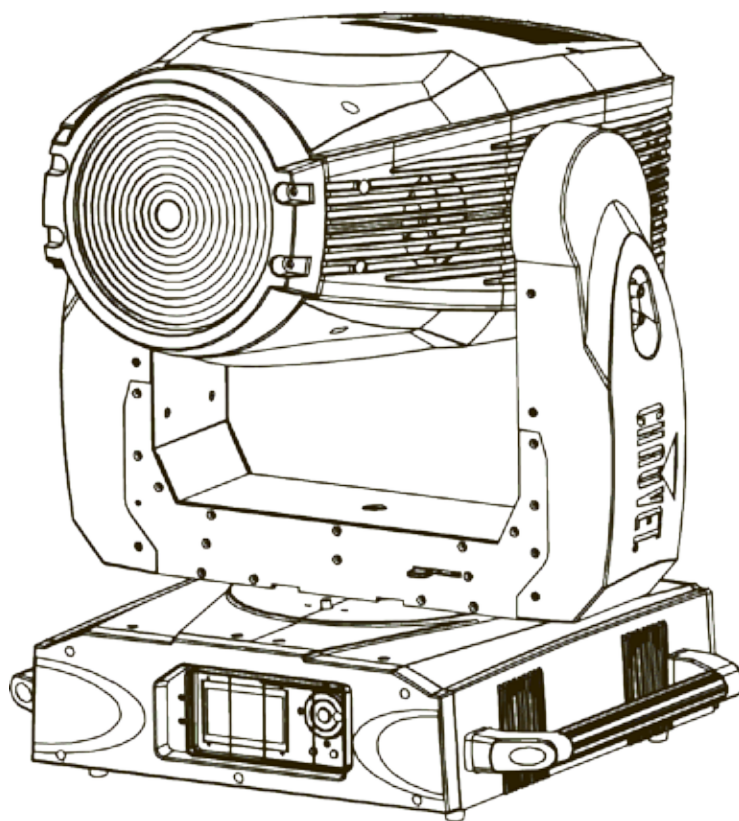




*Legend*TM

*1200E
WASH*

User Manual



CHAUVET[®]
PROFESSIONAL

Edition Notes

The Legend™ 1200E Wash User Manual Rev. 3 covers the description, safety precautions, installation, programming, operation, and maintenance of the Legend™ 1200E Wash product. Chauvet released this edition of the Legend™ 1200E Wash User Manual Rev. 3 in April 2015.

Trademarks

CHAUVET® is a registered trademark of CHAUVET & Sons Inc. (d/b/a CHAUVET® or Chauvet). The CHAUVET® logo in its entirety including the Chauvet name and the dotted triangle, and all other trademarks on this manual pertaining to services, products, or marketing statements are owned or licensed by Chauvet. Any other product names, logos, brands, company names, and other trademarks featured or referred to within this document are the property of their respective trademark holders.

Copyright Notice

Chauvet owns the content of this user manual in its entirety, including but not limited to pictures, logos, trademarks, and resources.

© Copyright 2015 Chauvet

All rights reserved

Electronically published by Chauvet in the United States of America

Manual Usage

Chauvet authorizes its customers to download and print this manual for professional information purposes only. Chauvet expressly prohibits the usage, copy, storage, distribution, modification, or printing of this manual or its content for any other purpose without its written consent.

Document Printing

For better results, print this document in color, on letter size paper (8.5 x 11 inches), double sided. If using A4 paper (210 x 297 mm), configure your printer to scale the content of this document to A4 paper.

Intended Audience

Any person in charge of installing, operating, and/or maintaining the Legend™ 1200E Wash should read the guide that shipped with it as well as this manual in their entirety before installing, operating, or maintaining this product.

Disclaimer

Chauvet believes that the information contained in this manual is accurate in all respects. However, Chauvet assumes no responsibility for any error or omissions in this document. Chauvet reserves the right to revise this document and to make changes from time to time in the content hereof without obligation of Chauvet to notify any person or company of such revision or changes. This does not constitute in any way a commitment by Chauvet to make such changes. Chauvet may issue a revision of this manual or a new edition of it to incorporate such changes.

Chauvet Publications Hot Line

If you have any comments about the accuracy of this document or general suggestions regarding how we can improve it, please call us at (800) 762-1084 (US callers) or +1-954-929-1115 (international callers). You can download the latest versions of all Chauvet products' manuals from www.chauvetlighting.com.

Document Revision

The Legend™ 1200E Wash User Manual Rev. 3 supersedes all previous versions of this manual. Please discard any older versions of this manual you may have, whether in printed or electronic format, and replace them with this version.

Author	Editor	Manager	PD Manager
O. Desmonteix	D. Coupee	M. Graham	F. Sellers

Product at a Glance

Use on Dimmer	X	Auto Programs	X
Outdoor Use	X	Auto-ranging Power Supply	P
Sound Activated	X	Replaceable Fuse	P
DMX	P	User Serviceable	X
Master/Slave	X	CMY Color Mixing	P

Table of Contents

1. Before You Begin	1
What is Included	1
Unpacking Instructions	1
Typographic Conventions	1
Icon Meaning	1
Safety Notes	2
2. Introduction	3
Product Description	3
Features	3
<i>Additional Features</i>	3
<i>Options</i>	3
DMX Channel Summary.....	4
Product Overview	5
Product Dimensions.....	6
3. Setup	7
AC Power	7
<i>AC Plug</i>	7
<i>Fuse Replacement</i>	7
DMX Linking.....	7
<i>DMX Modes</i>	7
Mounting	8
<i>Orientation</i>	8
<i>Rigging</i>	8
<i>Bracket Installation</i>	9
Color Wheels	9
Lamp Replacement.....	10
<i>Increasing the Lamp's Life</i>	10
4. Operation	11
Control Panel Description	11
<i>Home Screen</i>	11
Control Options.....	11
Menu Map	12
Programming	13
<i>Navigation Control</i>	13
<i>DMX Operation</i>	13
<i>Fixture Settings</i>	13
<i>Lamp Settings</i>	14
<i>Display Settings</i>	15
<i>Fixture Tests</i>	15
<i>Fixture Information</i>	16
<i>Fixture Reset</i>	16
<i>Special Functions</i>	17
Offset Mode	18
<i>Entering Offset Mode</i>	18
DMX Values.....	19
<i>Mode 1 (Basic)</i>	19
<i>Mode 2 (Advanced)</i>	20
5. Technical Information	21
General Maintenance	21
<i>Dust Screen Cleaning</i>	21
Error Messages	22
Troubleshooting Guide	23



Returns Procedure	24
Claims	24
Contact Us.....	Error! Bookmark not defined.
Technical Specifications.....	25

1. Before You Begin

What is Included

- One Legend™ 1200E Wash
- 2 x omega brackets with hanging trigger clamps
- Warranty Card
- Quick Reference Guide

Unpacking Instructions




This product ships in a flight case. Immediately upon receiving this product, carefully unpack it and check the container in which you received it. Make sure that you have received all the parts indicated above and that they are all in good condition. If the material inside the container (this product and any other accessory included with it) appears damaged from shipping or if the container shows signs of mishandling, notify the shipper immediately. In addition, retain the container and all the packing material for inspection.

See the *Claims* section in the *Technical Information* chapter.

Typographic Conventions

Convention	Meaning
1~512	A range of values in the text
50/60	A set of mutually exclusive values in the text
[10]	A DIP switch to be configured
<i>Claims</i>	A new term, or a section or chapter in this document
“COLORado™ UM”	The name of another publication or manual
<SET>	A button on the fixture’s control panel
Settings	A fixture function or a menu option
MENU > Settings	A sequence of menu options
1~10	A range of menu values from which to choose in a menu
Yes/No	A set of two mutually exclusive menu options in a menu
ON	A unique value to entered or select in a menu

Icon Meaning

Icon	Meaning
	This icon indicates critical installation, configuration, or operation information. Failure to comply with this information may render the fixture partially or completely inoperative, damage third-party equipment, or cause harm to the user.
	This icon indicates important installation or configuration information. Failure to comply with this information may prevent the fixture from functioning correctly.
	This icon indicates useful, although non-critical information.



The term “DMX” used throughout this document refers to the USITT DMX512-A transmission protocol.

Safety Notes

Please read the following notes carefully because they include important safety information about the installation, usage, and maintenance of this product.

It is important to read all these notes before starting to work with this product.



There are no user serviceable parts inside this product. Any reference to servicing it you may find from now on in this User Manual will only apply to properly Chauvet certified technicians. Do not open the housing or attempt any repairs unless you are one of them.



Please refer to all applicable local codes and regulations for the proper installation of this product.



Keep this manual for future consultation. If you sell this product to another user, make sure that they also receive this manual.

Personal Safety

- Avoid direct eye exposure to the light source while the fixture is on.
- Always disconnect this product from its power source before servicing.
- Lamp explosion hazard! Do not open the lamp cover within five minutes of having turned off the fixture.
- The bulb remains hot for a long time after turn off. Never touch the bulb barehanded and always handle it by its ceramic base.
- Always connect this product to a grounded circuit to avoid the risk of electrocution.
- Do not touch this product's housing when operating because it may be very hot.

Mounting and Rigging

- This product is for indoor use only! To prevent risk of fire or shock, do not expose this product to rain or moisture.
- CAUTION: When transferring product from extreme temperature environments, (e.g. cold truck to warm humid ballroom) condensation may form on the internal electronics of the product. To avoid causing a failure, allow product to fully acclimate to the surrounding environment before connecting it to power.
- Make sure there are no flammable materials close to this product while operating.
- When hanging this product, always secure it to a fastening device using a safety chain/cable (not provided).
- Do not carry this fixture from the head; use the handles instead.

Power and Wiring

- Always make sure that you are connecting this product to the proper voltage, as per the specifications in this manual or on the product's sticker.
- Never connect this product to a dimmer pack or rheostat.
- To eliminate unnecessary wear and improve its lifespan, during periods of non-use completely disconnect the product from power via breaker or by unplugging it.
- Make sure the product's housing or power cable are not cracked, crimped, or damaged.
- Never disconnect this product by pulling or tugging on the power cable.

Operation

- Do not operate this fixture if you see damage on the housing, lenses, ultraviolet filter, or cables; have the damaged parts replaced by an authorized technician at once.
- Do not cover the ventilation slots when the fixture is operating to avoid internal overheating.
- Do not aim this fixture toward the Sun. Otherwise, the lenses could concentrate the solar energy and cause internal overheating.
- The maximum ambient temperature (Ta) is 104 °F (40 °C). Do not operate this product at a higher temperature.
- In case of a serious operating problem, stop using this product immediately!



In the unlikely event that your Legend™ 1200E Wash may require service, please contact Chauvet Technical Support.

2. Introduction

Product Description

The Legend™ 1200E Wash is a moving yoke fixture with a 1200 W short arc discharge lamp. It contains an LCD control panel (display), through which all of the settings can be set or modified.

This fixture can operate at 200~240 VAC, 50/60 Hz, which eliminates the need for a voltage selection switch. The ballast and igniter in the lamp circuit are both of the electronic type.

Features

- 16 or 21-channel DMX moving yoke
- Pan: 540° in 2.8 sec
- Tilt: 270° in 1.6 sec
- Color wheel 1:
 - Seven colors + white (red, blue, pink, green, yellow, orange, and UV)
 - Split/linear colors
 - Rainbow color spin at variable speeds both wheels
- Color wheel 2:
 - Seven colors + white (5,600 K, magenta, light blue, light green, light yellow, pink, and dark blue)
 - Split/linear colors
 - Rainbow color spin at variable speeds both wheels
- Variable CTC filter (3,200~6,000 K)
- CMY color mixing system with vector speed adjustments
- Variable shutter
- Variable 16-bit dimming (0~100%)
- Linear zoom (5.6~20.75°)
- Individual reset of pan/tilt, color, shutter, and zoom
- Remote fixture reset, lamp on/off, vector speed adjustments
- Built-in movement macros with range adjustments
- Built-in color macros

Additional Features

- 3-pin and 5-pin DMX connections
- User-configurable lamp ignition delay
- User-configurable maintenance reminder
- Electronic ballast with power factor correction
- Electronic power supply
- Automatic pan & tilt correction
- Pan & tilt locks
- Lamp and fixture use timer
- Power saver mode

Options

- W-DMX (wireless DMX) receiver
- W-DMX (wireless DMX) transmitter

DMX Channel Summary

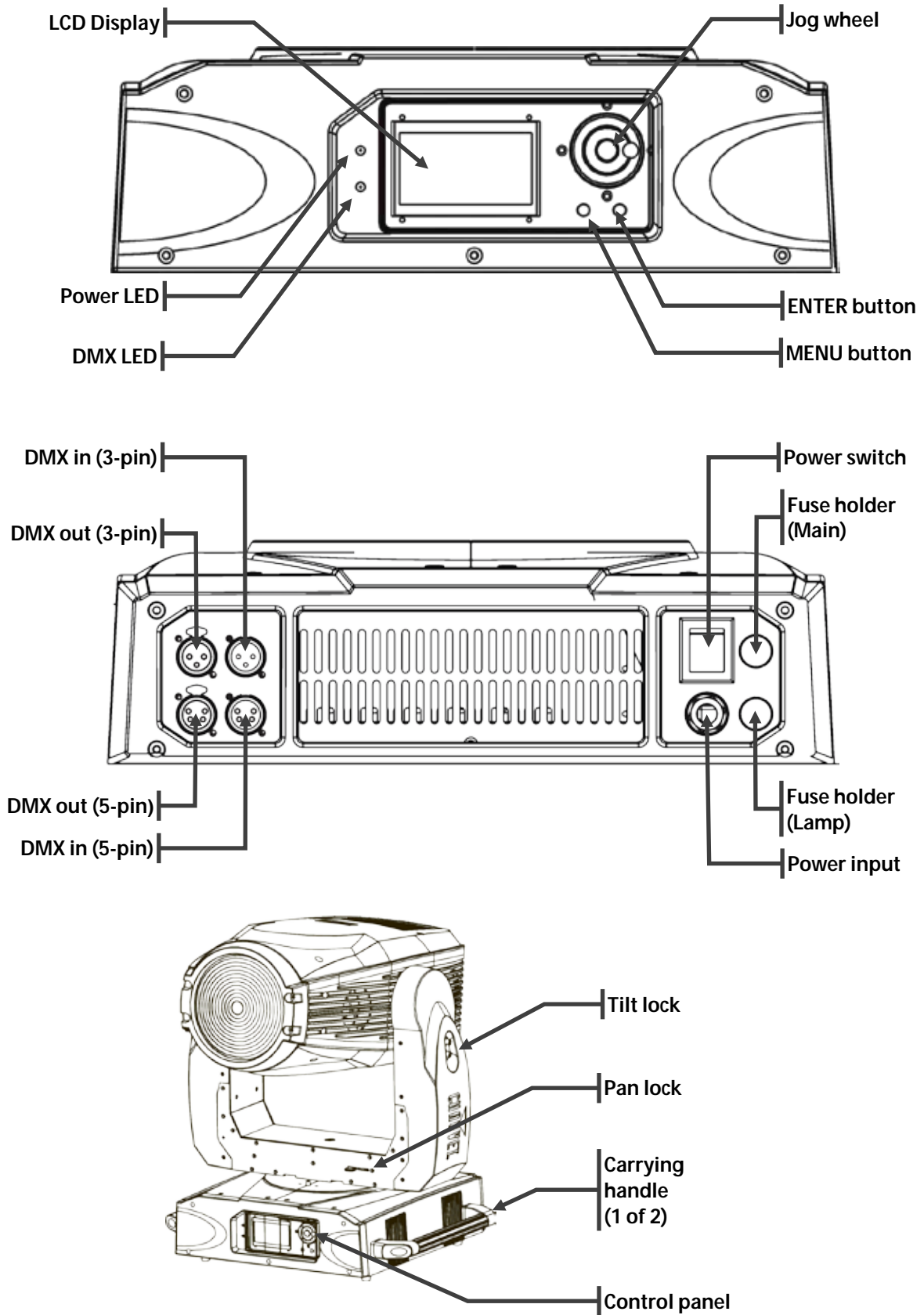
16-Channel DMX Mode

DMX Channel	Function
1	Pan
2	Pan fine
3	Tilt
4	Tilt fine
5	Pan/tilt speed
6	Dimmer
7	Shutter
8	Color 1
9	Color 2
10	Cyan
11	Magenta
12	Yellow
13	3,200~6.000 K (CTO) Filter
14	Preset Color
15	Zoom
16	Function

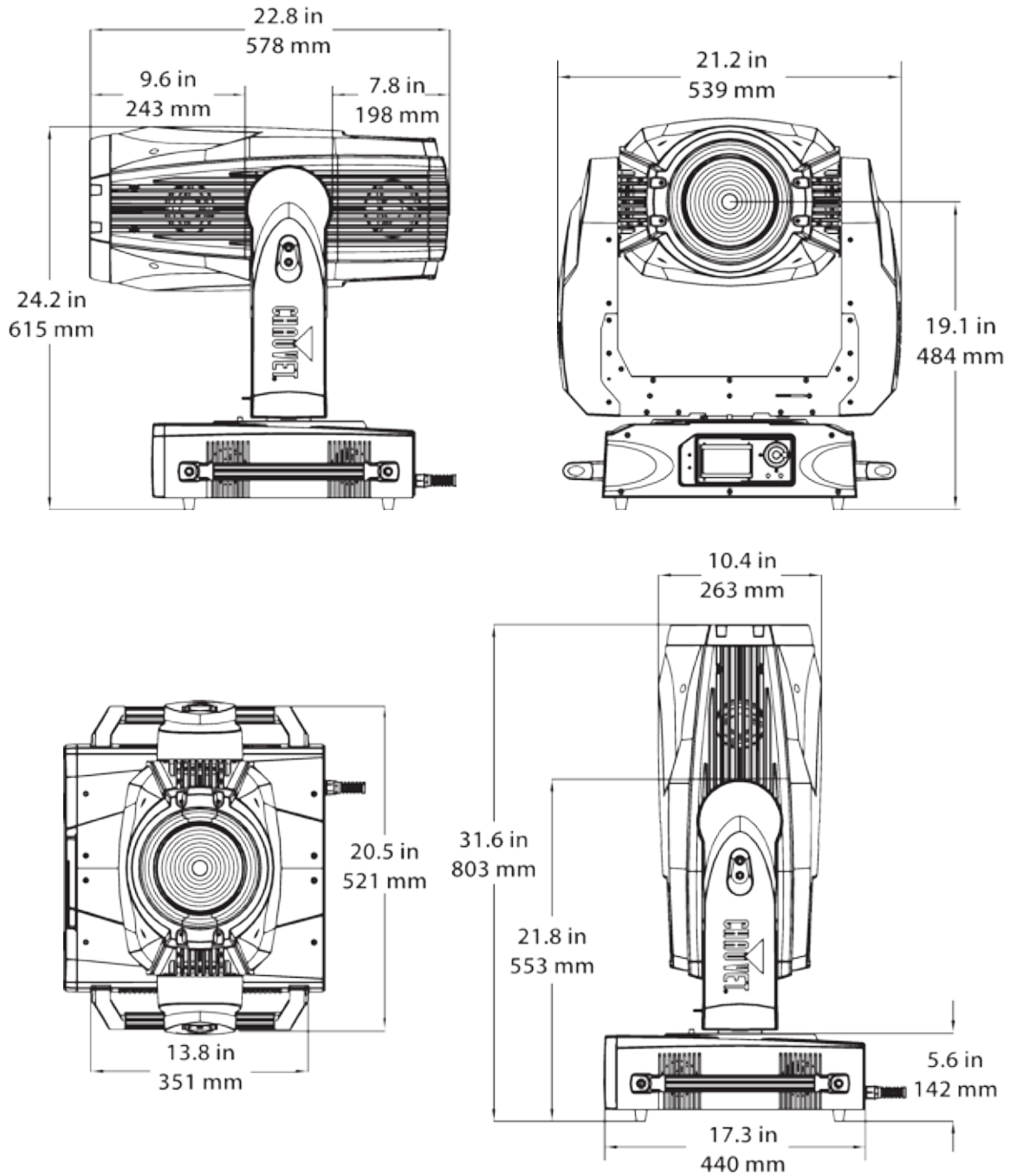
21-Channel DMX Mode

DMX Channel	Function
1	Pan
2	Pan fine
3	Tilt
4	Tilt fine
5	Pan/tilt speed
6	Dimmer
7	Dimmer fine
8	Shutter
9	Color 1
10	Color 2
11	Cyan
12	Magenta
13	Yellow
14	3,200~6000 K (CTO)
15	CMY/CTO Filter Speed
16	Zoom
17	Preset Color
18	Color Macro
19	Pan/Tilt Macro
20	Pan/Tilt Macro Range
21	Function

Product Overview



Product Dimensions



3. Setup

AC Power

The Legend 1200E Wash has an auto-ranging power supply that can work with an input voltage range of 200–240 VAC, 50/60 Hz.

Make sure that you are connecting this product to the proper voltage, as per the specifications in this guide, the product's user manual, or on the product's sticker.



- **Always connect this product to a protected circuit with an appropriate electrical ground to avoid the risk of electrocution or fire.**
- **To eliminate unnecessary wear and improve its lifespan, during periods of non-use completely disconnect the product from power via breaker or by unplugging it.**

To determine the power requirements for the Legend™ 1200E Wash see the label affixed to the side of the fixture. Alternatively, you may refer to the corresponding specifications chart in the *Technical Information* chapter of this manual.

The listed current rating indicates the maximum current draw during normal operation. Please refer to the *Sizing the Circuit Breakers* section in the *Appendix* chapter of this manual.



Never connect the Legend™ 1200E Wash to a rheostat (variable resistor) or dimmer circuit, even if the rheostat or dimmer channel serves only as a 0 to 100% switch.

AC Plug

The Legend™ 1200E Wash has a bare-ended power input cord that is hard-wired to the base of the fixture. Use the table below to wire a plug for the power cord.

Connection	Wire (US)	Wire (Europe)	Screw Color
AC Live	Black	Brown	Yellow or Brass
AC Neutral	White	Blue	Silver
AC Ground	Green/Yellow	Green/Yellow	Green



Make sure to disconnect the fixture's power cord before replacing a blown fuse, and always replace it with a fuse of the same type and rating.

Fuse Replacement

- 1) With a Phillips #2 screwdriver, unscrew the fuse holder from its housing.
- 2) Remove the blown fuse from its holder and replace it with a good fuse of the exact same type and rating.
- 3) Screw the fuse holder back in its place and reconnect power.

DMX Linking

You may link the Legend™ 1200E Wash to a DMX controller using a standard DMX serial connection. If using other DMX compatible fixtures with the Legend™ 1200E Wash, it is possible to control them individually with a single DMX controller.

If you are not familiar with the DMX standard, please refer to the "DMX Primer" document, which you can download from the Chauvet Web site.

DMX Modes

The Legend™ 1200E Wash can operate in 16 and 21-channel DMX modes. You will find information about these DMX modes in the *Introduction* chapter (brief description), the *Operation Instructions* chapter (configuration details), and the *DMX Values* section (individual channel values).

Mounting

Before mounting this product, read and follow the [Safety Notes](#). For our CHAUVET® Professional line of mounting clamps, go to <http://trusst.com/products/>.

Orientation

Always mount this fixture in any safe position while making sure that there is adequate room around it for ventilation, and for the fixture's head to pan and tilt freely.

Make sure to mount this fixture away from any flammable material as indicated in the *Safety Notes* section (page 2 of this manual).

Rigging

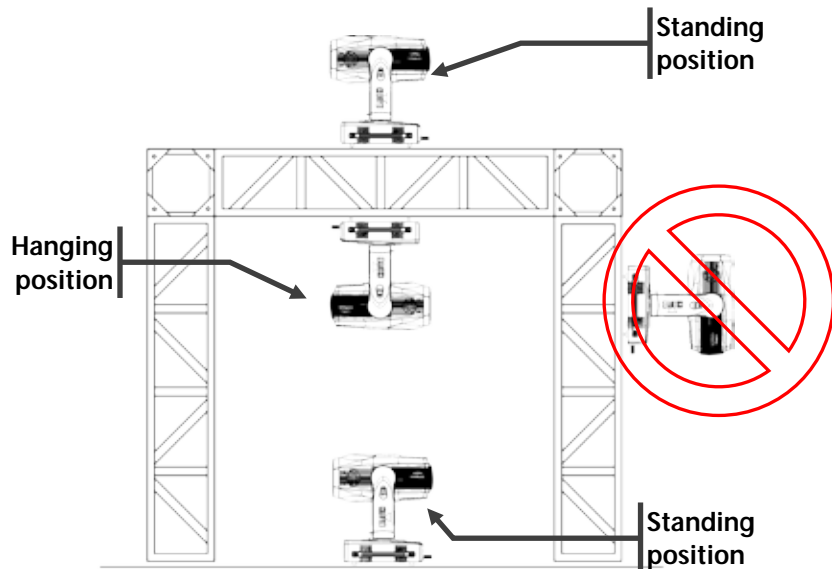
The Legend™ 1200E Wash comes with two omega brackets and two clamps. You will have to use two mounting points per fixture. You can also mount the Legend 1200E Wash on the floor or any other firm, horizontal surface. Chauvet recommends following the general guidelines below when mounting the Legend™ 1200E Wash.

- When selecting an installation location, consider ease of access to the fixture for operation, programming adjustments, and routine maintenance.
- Never mount the fixture in places where rain, high humidity, extreme temperature changes, or restricted ventilation may affect it.
- Make sure that the location where you are mounting the fixture can support its weight. Please see the Technical Specifications section of this manual for the weight requirement of this fixture.

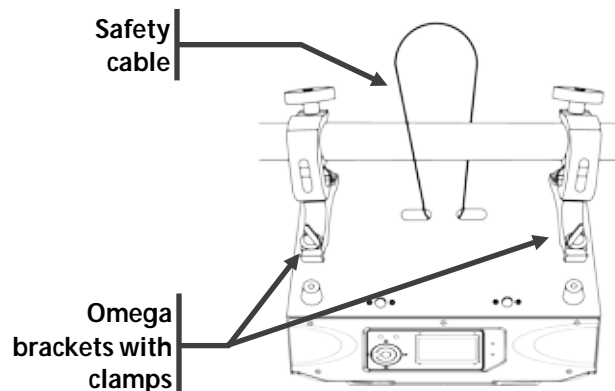


Only mount this fixture where the base is in a horizontal position, either hanging or standing, as indicated in the diagram below. Doing otherwise may cause damage to the fixture and void its warranty.

Product Mounting Diagram



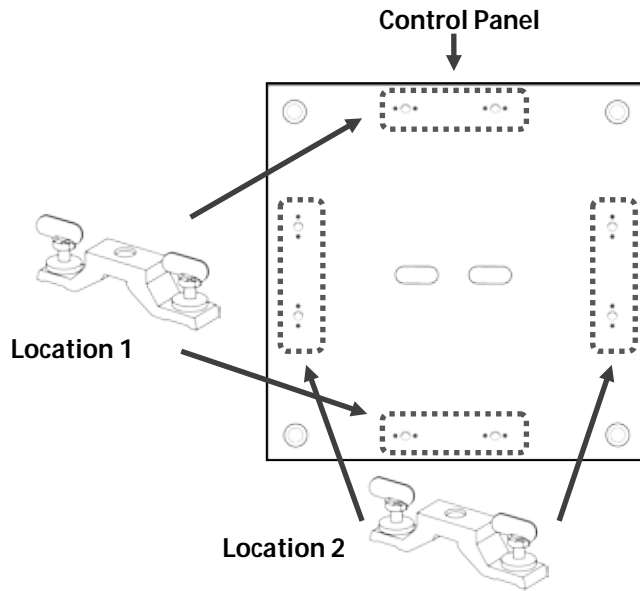
Safety Cable Installation Diagram



Bracket Installation

You can mount the included brackets on either side of the mounting plate. This allows for positioning the fixture's base in the best possible orientation to access the control panel and the fuses.

Bracket Mounting Diagram



Color Wheels

The Legend 1200E Wash comes with two color wheels. The diagram below shows both wheels and the number assigned to each of the colors on each wheel.



Lamp Replacement



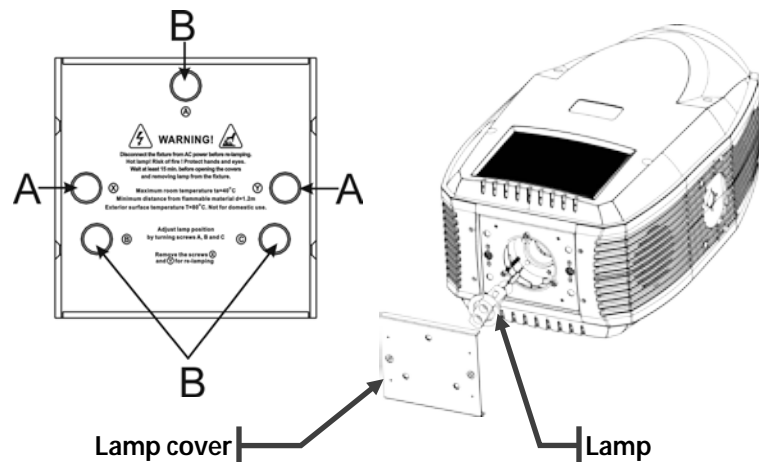
Procedure

The Legend 1200E Wash is equipped with a Phillips MSR1200SA/SE FastFit lamp. This lamp uses a socket that allows for fast and easy lamp changes. Follow the procedure below to safely change the Legend 1200E Wash's lamp.

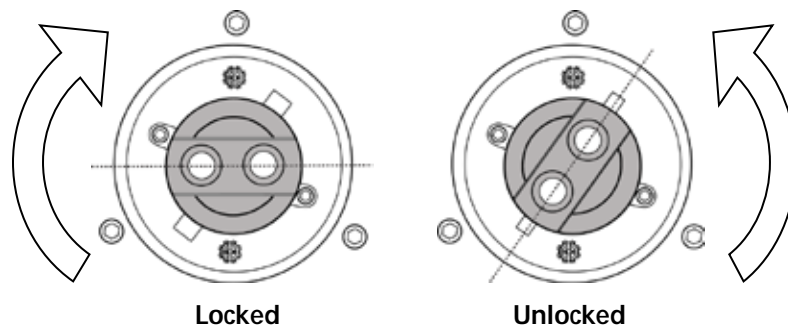
Never touch the lamp's envelope (glass bulb) with your bare hands. FastFit lamps do not require touching the lamp's envelope during removal or installation. If you touched the lamp's envelope, clean it with isopropyl alcohol and wipe it with a lint-free cloth before installing it.

- 1) Turn the fixture off and disconnect it from the power outlet.
- 2) Wait at least 15 minutes for the lamp to cool down.
- 3) Loosen the two screws on the lamp cover (marked "A" in the diagram).
- 4) Lift and rotate the lamp cover as per the diagram to expose the base of the lamp.
- 5) Rotate the ceramic base of the lamp 90° counterclockwise.
- 6) Pull the lamp out by holding it from its base only.
- 7) Insert the new lamp and turn it 90° clockwise.
- 8) Reverse steps 3 and 4.
- 9) Use the adjustment screws (marked "B" in the diagram) to position the lamp in the center of the reflector to obtain the best output.

Lamp Replacement Diagram



FastFit Socket Positions



Increasing the Lamp's Life

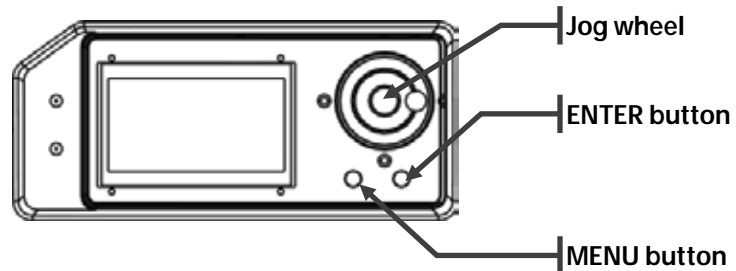
- NEVER turn the fixture's power off while the lamp is striking, as this can damage the lamp permanently.
- ALWAYS turn the lamp off by using the DMX controller or the fixture's control panel. Then wait at least five minutes before switching off the fixture. This will keep the fans running to extract any remaining heat from the fixture's head.
- ALWAYS wait 15 minutes to turn the lamp back on.
- DO NOT touch the lamp without wearing gloves to avoid leaving grease on the bulb or on the contacts that could reduce the lamp's life.
- ALWAYS change the lamp when it has reached its recommended lifespan to avoid the risk of lamp explosion.

4. Operation

Control Panel Description

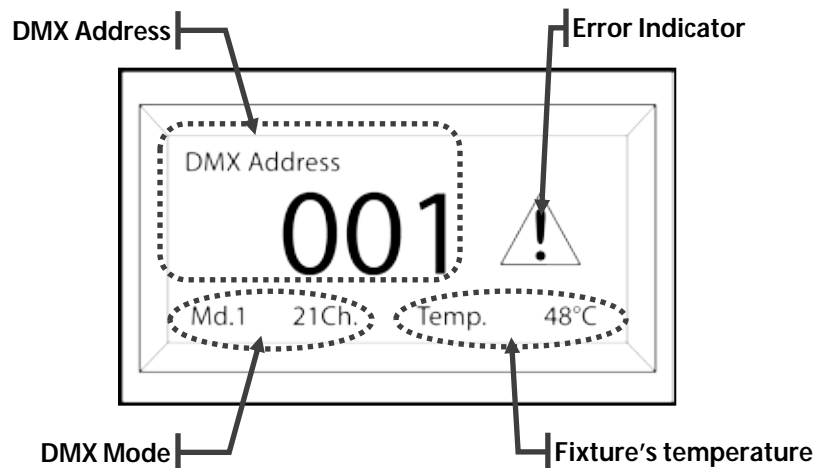
Button	Function
<MENU>	Exits from the current menu or function
<ENTER>	Enables the currently displayed menu or sets the currently selected value in to the current function
<JOG WHEEL>	Navigates upwards through the menu list and increases the numeric value when in a function

Control Panel Diagram



Home Screen

Upon power up, the LCD will show the Legend logo and the fixture's identification. After completing the power up tests, the LCD will show the DMX address, the DMX mode, and the fixture's temperature, along with the warning sign if the tests have detected an error.



- When the warning sign shows, press <ENTER> to read the corresponding error message (see *Error Messages* in the *Technical Information* chapter).
- Press <ENTER> while looking at an error messages to clear it.

Control Options

You can set the Legend™ 1200E Wash's start address in the 001~512 DMX range. This allows for the control of up to 32 fixtures in the 16-channel DMX Mode 1 and up to 24 fixtures in the 21-channel DMX Mode 2.

Menu Map

Main Menu Level	2 nd Level	3 rd Level	4 th Level
DMX Functions	DMX Address	1-512	N/A
	DMX Channel Mode	Mode 1 (16) Mode 2 (21)	
	View DMX Value	N/A	
	WDMX Setting (Requires optional W-DMX card)	Active Retransmit Reset Memory	No/Yes
Fixture Settings	Pan Inverse	No/Yes	N/A
	Tilt Inverse		
	Bl.o. P/T Moving		
	Bl.o. Color Change		
Lamp Settings	On/Off	On/Off	N/A
	State/Power On	No/Yes	
	Off Via DMX		
	On if DMX On		
	Off if DMX Off		
	Cooling Mode	High/Auto	
	Ignition Delay Low Power Delay	0-255	
Display Settings	Display Inverse	No/Yes	N/A
	Back Light Auto Off		
	Back Light Intensity	1-10	
	Temperature Unit	°C/°F	
Fixture Test	Auto Test	N/A	N/A
	Manual Test (1-21)	000-255	
Fixture Information	Fixture use time	N/A	N/A
	Lamp On Time	Exit/Reset Time	
	Firmware Version	N/A	
Reset Function	Pan & Tilt	No/Yes	N/A
	Color		
	Shutter & Dimmer		
	Zoom		
	All		
Special Functions	Fixture Maintenance	Interval/ Remain Time	N/A
	Factory Settings	No/Yes	

Programming

Carry out all the programming procedures indicated below from the control panel. Refer to the *Menu Map* page to learn how the menu options relate to each other.

Navigation Control

The Control Panel's liquid crystal display (LCD) shows the menu items you select. When you select a menu function, the display will show the available options for the selected function with the first one already highlighted.

If not at the home screen, press **<MENU>** repeatedly until seeing the home screen.

To enter programming mode from the home screen, press **<MENU>**. This is the first menu level.

To highlight functions or options from a screen, rotate the jog wheel and stop at the desired function or option.

To accept the highlighted option, press **<ENTER>**. This may open another screen, as per the **Menu Map**.

To activate or enable a selected option, press **<ENTER>**.

To return to the previous screen without changing the current option's value, press **<MENU>**.

DMX Operation

The Legend 1200E Wash always operates in standard DMX mode (no "Slave," "Auto," or "ID addressing" modes). The options in the DMX Operation section set the starting DMX address and the DMX mode as well as show the fixture's DMX configuration. To access this section, do the following:

- 1) Press **<MENU>**.
- 2) Select **DMX Functions**.
- 3) Select the corresponding function as indicated below.
- 4) Press **<MENU>** to exit once you are done with this section.

DMX Address

To select the starting DMX address, do the following:

- 1) Select **DMX Address**.
- 2) Select a DMX address (**001-512**).
- 3) Press **<ENTER>**.

DMX Modes

To select the DMX mode, whether Basic (16 channels) or Advanced (21 channels), do the following:

- 1) Select **DMX Channel Mode**.
- 2) Select **Mode 1 (16)** (Basic) or **Mode 2 (21)** (Advanced).
- 3) Press **<ENTER>**.

View DMX Values

This option shows the values for all the fixture's DMX functions, from the first channel (starting address) to the last channel (**16** for Basic and **21** for Advanced).

- 1) Select **View DMX Value**.
- 2) Press **<ENTER>** (the values will show on the screen).
- 3) Scroll with the jog wheel to see all values.
- 4) Press **<MENU>** to exit.

Fixture Settings

The options in the Fixture Settings section set the pan and tilt modes as well as the blackout options. To access this section, do the following:

- 1) Press **<MENU>**.
- 2) Select **Fixture Settings**.
- 3) Select the corresponding function as indicated below.
- 4) Press **<MENU>** to exit once you are done with this section.


Pan Reversal

This option reverses the pan angle assignments from 000 = 0° and 255 = 540° to 000 = 540° and 255 = 0°.

- 1) Select **Pan Inverse**.
- 2) Select **Yes** (reversed assignments) or **No** (normal assignments).
- 3) Press **<ENTER>**.

Continues on the next page

Continued from previous page

- Tilt Reversal** This option reverses the tilt angle assignments from 000 = 0° and 255 = 270° to 000 = 270° and 255 = 0°.
- 1) Select **Tilt Inverse**.
 - 2) Select **Yes** (reversed assignments) or **No** (normal assignments).
 - 3) Press **<ENTER>**.
- Blackout During Head Motion** This option enables the blackout feature while the fixture head is moving (panning or tilting).
- 1) Select **Bl.o. P/T Moving**.
 - 2) Select **Yes** (blackout enabled) or **No** (blackout disabled).
 - 3) Press **<ENTER>**.
- Blackout During Color Change** This option enables the blackout feature while the fixture is changing colors.
- 1) Select **Bl.o. Color Change**.
 - 2) Select **Yes** (blackout enabled) or **No** (blackout disabled).
 - 3) Press **<ENTER>**.
- Lamp Settings** The Lamp Settings section comprises all the parameters that affect the fixture's lamp and its operation. To access this section, do the following:
- 1) Press **<MENU>**.
 - 2) Select **Lamp Settings**.
 - 3) Select the corresponding function as indicated below.
 - 4) Press **<MENU>** to exit once you are done with this section.
- Lamp On/Off** This option allows turning the lamp off and back on without having to power cycle the fixture.
- 1) Select **On/Off**.
 - 2) Select **Yes** or **No**.
 - 3) Press **<ENTER>**.
- The lamp will turn on or off after pressing **<ENTER>**.
- Immediate or Delayed Lamp Strike** This option allows the lamp to strike immediately (**Yes**) or in delayed mode (**No**) after powering on the fixture. Delaying the lamp strike reduces the inrush current.
- 1) Select **State/Power On**.
 - 2) Select **Yes** (immediate) or **No** (delayed).
 - 3) Press **<ENTER>**.
-  **The "Ignition Delay" option on page 15 controls the delay between power on and the lamp striking.**
- Lamp On/Off Remote Control** This option allows the lamp to turn the lamp off and back on from the DMX controller.
- 1) Select **Off Via DMX**.
 - 2) Select **Yes** or **No**.
 - 3) Press **<ENTER>**.
- Lamp On When DMX is Present** When enabled (**Yes**), this option turns the lamp on when DMX signal is present.
- 1) Select **On if DMX On**.
 - 2) Select **Yes** or **No**.
 - 3) Press **<ENTER>**.
- Lamp Off When DMX is Absent** When enabled (**Yes**), this option turns the lamp off when DMX signal is absent.
- 1) Select **Off if DMX Off**.
 - 2) Select **Yes** or **No**.
 - 3) Press **<ENTER>**.

Continues on the next page

Continued from previous page

Cooling Mode This option determines the speed of the cooling fans, whether always high or automatic.

- 1) Select **Cooling Mode**.
- 2) Select **High** or **Auto**.
- 3) Press **<ENTER>**.

Ignition Delay When the **State/Power On** option is active, this setting configures the delay before the lamp strikes after power on.

- 1) Select **Ignition Delay**.
- 2) Select the ignition delay in seconds (**000** to **255**).
- 3) Press **<ENTER>**.

Lamp Dousing This option decreases the lamp power after the shutters/dimmers have been closed for a configurable time to reduce the internal heat accumulation.

- 1) Select **Low Power Delay**.
- 3) Select the time delay in seconds (**000~255**).
- 4) Press **<ENTER>**.

Display Settings The options in the Display Settings section control the operation of the fixture's LCD. To access this section, do the following:

- 1) Press **<MENU>**.
- 2) Select **Display Settings**.
- 3) Select the corresponding function as indicated below.
- 4) Press **<MENU>** to exit once you are done with this section.

Display Reversal This option reverses the LCD orientation (180°) to read it upright when the fixture is hanging from a truss.

- 1) Select **On/Off**.
- 2) Select **Yes** or **No**.
- 3) Press **<ENTER>**.

The lamp will turn on or off after pressing **<ENTER>**.

Back Light Automatic Off This option determines whether the LCD backlight will turn off automatically after 30 seconds of control panel inactivity.

- 1) Select **Back Light Automatic Off**.
- 2) Select **Yes** or **No**.
- 3) Press **<ENTER>**.

Back Light Intensity This option selects the intensity of the LCD backlight.

- 1) Select **Back Light Intensity**.
- 2) Select **1~10**.
- 3) Press **<ENTER>**.

Temperature Unit When enabled (**Yes**), this option turns the lamp on when DMX signal is present.

- 1) Select **On if DMX On**.
- 2) Select **°C** (Celsius) or **°F** (Fahrenheit).
- 3) Press **<ENTER>**.

Fixture Tests The options in the Lamp Settings section control what tests the fixture will run. To access this section, do the following:

- 1) Press **<MENU>**.
- 2) Select **Fixture Tests**.
- 3) Select the corresponding function as indicated below.
- 4) Press **<MENU>** to exit once you are done with this section.

Continues on the next page

Continued from previous page

Auto Test This option sets the fixture to run the automatic test.

- 1) Select **Auto Test**.
- 2) Press **<ENTER>**.

The fixture will run a single sequence of tests to verify all its functions.

Manual Test This option allows the operator to select which tests to run.

- 1) Select **Manual Test**.
- 2) Select a function from the list (1~21).
- 3) Set the value (**000~255**) for the selected function (the fixture will assume the new function value, as if you had used a DMX controller).
- 4) Press **<ENTER>**.
- 5) Repeat steps 2 through 4 for the other functions.
- 6) When done with the test, press **<MENU>** (the fixture will go back to DMX mode and all the manually entered values will become **000**).

Fixture Information The options in the Fixture Information section control the fixture usage timers and show the firmware version. To access this section, do the following:

- 1) Press **<MENU>**.
- 2) Select **Fixture Information**.
- 3) Select the corresponding function as indicated below.
- 4) Press **<MENU>** to exit once you are done with this section.

Fixture Operation Timer This option shows the time the fixture has been in operation.

- 1) Select **Fixture use time**.
- 2) Press **<ENTER>**.

The fixture will show the accumulated time of operation.



The Fixture Use Time is not resettable.

Lamp Operation Timer

This option allows the operator see the fixture and lamp usage timers as well to reset the lamp usage timer after changing the lamp.

- 1) Select **Lamp On Time** (the accumulated lamp usage time will show).
- 2) Select **Exit** or **Reset Time** (do this only after changing the lamp).
- 3) Press **<ENTER>**.

Firmware Version This option shows the installed firmware version for each of its various microcontrollers.

- 1) Select **Firmware Version**.
- 2) Press **<ENTER>**.

Fixture Reset The options in the Fixture Reset section control the resetting of the various functions of this fixture. To access this section, do the following:

- 1) Press **<MENU>**.
- 2) Select **Reset Function**.
- 3) Select the corresponding function as indicated below.
- 4) Press **<MENU>** to exit once you are done with this section.

Pan & Tilt This option resets the pan and tilt of the fixture's head to their corresponding home positions.

- 1) Select **Pan & Tilt**.
- 2) Select **Yes** (reset) or **No** (exit without resetting).
- 2) Press **<ENTER>**.

The fixture's head will move to the pan and tilt home positions.

Continues on the next page

Continued from previous page

Color This option resets the color wheels to their corresponding home positions.

- 1) Select **Color**.
- 2) Select **Yes** (reset) or **No** (exit without resetting).
- 2) Press **<ENTER>**.

The color wheels will move to their positions (this movement may be very small).

Shutter & Dimmer This option resets the shutter and dimmer to their corresponding home positions.

- 1) Select **Shutter & Dimmer**.
- 2) Select **Yes** (reset) or **No** (exit without resetting).
- 2) Press **<ENTER>**.

The shutter and dimmer will move to their positions (this movement may be very small).

Zoom This option resets the zoom to its corresponding home positions.

- 1) Select **Zoom**.
- 2) Select **Yes** (reset) or **No** (exit without resetting).
- 2) Press **<ENTER>**.

The zoom motor will move to its home position (this movement may be very small).

All This option resets all the motors to their corresponding home positions.

- 1) Select **All**.
- 2) Select **Yes** (reset) or **No** (exit without resetting).
- 2) Press **<ENTER>**.

All the motors will move to their home positions (this movement may be very small).

Special Functions

The Special Functions section comprises the maintenance timer options and the factory default option. To access this section, do the following:

- 1) Press **<MENU>**.
- 2) Select **Special Functions**.
- 3) Select the corresponding function as indicated below.
- 4) Press **<MENU>** to exit once you are done with this section.

Fixture Maintenance Timers

This fixture has a built-in timer to remind the operator that is time for the fixture's routine maintenance. When the preset time elapses, the warning icon shows on the LCD.

- 1) Select **Fixture Maintenance**.
- 2) To change the maintenance interval timer,
 - a) Select **Interval**.
 - b) Select the new interval (in hours).
 - c) Press **<MENU>**.
- 3) To reset the remaining time counter,
 - a) Select **Remain Time**.
 - b) Select **Reset Time** (reset the timer) or **Exit** (exit without resetting).
 - c) Press **<MENU>**.

Factory Default

If you want to default the fixture to its factory configuration, follow the steps below:

- 1) Select **Factory Settings**.
- 3) Select **Yes** (default fixture) or **No** (exit without defaulting).
- 4) Press **<ENTER>**.



- **The above operation will default all the fixture's parameters to their original factory configuration values.**
- **Defaulting the fixture does not affect the home position settings.**

Offset Mode

The Offset Mode provides fine adjustments for the home position of all the moving parts in the optical path as well as the pan and tilt movements. The home position is where the moving parts go when you reset them. In their corresponding home position, the moving parts should not show any border or reduce the light output. If they do, use the Offset Mode to fine adjust them.

Entering Offset Mode

- 1) Press **<MENU>** to enter the regular Menu Mode.
- 2) Press **<ENTER>** for more than three seconds to enter the Offset Mode (the Offset Mode menu will show).
- 4) Press **<MENU>** to exit once you are done with offset adjustments.

Pan Motor

- 1) Select **Pan** and press **<ENTER>** (a pop up window will open).
 - a) Select the new value (-128~127).
 - b) Accept the new value.

Tilt Motor

- 1) Select **Tilt** and press **<ENTER>** (a pop up window will open).
 - a) Select the new value (-128~127).
 - b) Accept the new value.

Shutter Motor

- 1) Select **Shutter** and press **<ENTER>** (a pop up window will open).
 - a) Select the new value (0~255).
 - b) Accept the new value.

Color 1 Motor

- 1) Select **Color 1** and press **<ENTER>** (a pop up window will open).
 - a) Select the new value (-128~127).
 - b) Accept the new value.

Color 2 Motor

- 1) Select **Color 2** and press **<ENTER>** (a pop up window will open).
 - a) Select the new value (-128~127).
 - b) Accept the new value.

Cyan Dichroic Flag

- 1) Select **Cyan** and press **<ENTER>** (a pop up window will open).
 - a) Select the new value (0~255).
 - b) Accept the new value.

Magenta Dichroic Flag Motor

- 1) Select **Magenta** and press **<ENTER>** (a pop up window will open).
 - a) Select the new value (0~255).
 - b) Accept the new value.

Yellow Dichroic Flag

- 1) Select **Yellow Filter** and press **<ENTER>** (a pop up window will open).
 - a) Select the new value (0~255).
 - b) Accept the new value.

3200 K Filter Dichroic Flag

- 1) Select **3200 K Filter** and press **<ENTER>** (a pop up window will open).
 - a) Select the new value (0~255).
 - b) Accept the new value.

Zoom Motor

- 1) Select **Zoom** and press **<ENTER>**.
 - a) Select the new value (0~255).
 - b) Accept the new value.

DMX Values

Mode 1 (Basic)

Ch #	Function	Value	Percent/Setting	Ch #	Function	Value	Percent/Setting	
1	Pan	000 ó 255	0~540°	10	Cyan	000 ó 255	0~100%	
2	Pan Fine	000 ó 255	0~100%	11	Magenta	000 ó 255	0~100%	
3	Tilt	000 ó 255	0~270°	12	Yellow	000 ó 255	0~100%	
4	Tilt Fine	000 ó 255	0~100%	13	3200 K Filter	000 ó 255	0~100%	
5	Pan/Tilt Speed	000 ó 255	Fast~Slow	14	Preset Color	000 ó 021	Open (white)	
6	Dimmer	000 ó 255	0~100%			022 ó 042	Color 1	
7	Shutter	000 ó 015	Open			043 ó 063	Color 2	
		016 ó 131	Slow ~Fast			064 ó 085	Color 3	
		132 ó 167	Slow open/Fast close			086 ó 106	Color 4	
		168 ó 203	Fast open/Slow close			107 ó 127	Color 5	
		204 ó 239	Slow open/Slow close			128 ó 148	Color 6	
		240 ó 247	Random strobe			149 ó 170	Color 7	
248 ó 255	Open	171 ó 191	Color 8					
8	Color 1	000 ó 007	Open (white)			192 ó 212	Color 9	
		008 ó 015	Dark Blue	213 ó 233	Color 10			
		016 ó 023	Pink	234 ó 255	Color 11			
		024 ó 031	Light Yellow	15	Zoom	000 ó 007	No Function	
		032 ó 039	Light Green			008 ó 255	0% ó 100%	
		040 ó 047	Light Blue		16	Function	000 ó 069	No function
		048 ó 055	Magenta				070 ó 079	Pan/tilt blackout (enable)
		056 ó 063	5600 K				080 ó 089	Pan/tilt blackout (disable)
		064 ó 127	Split Colors				090 ó 099	Color blackout (enable)
		128 ó 189	CCW rotation (fast~slow)				100 ó 109	Color blackout (disable)
190 ó 191	Stop	110 ó 129	No function					
192 ó 255	CW rotation (slow~fast)	130 ó 139	Lamp On					
9	Color 2	000 ó 007	Open (white)				140 ó 149	Pan/tilt reset
		008 ó 015	Red	150 ó 159			Color reset	
		016 ó 023	Blue	160 ó 169			No function	
		024 ó 031	Pink	170 ó 179	Shutter reset			
		032 ó 039	Green	180 ó 189	Zoom reset			
		040 ó 047	Yellow	190 ó 199	No function			
		048 ó 055	Orange	200 ó 209	Reset all			
		056 ó 063	UV Purple	210 ó 229	No function			
		064 ó 127	Split Colors	230 ó 239	Lamp off			
		128 ó 189	CCW rotation (fast~slow)	240 ó 255	No function			
190 ó 193	Stop							
194 ó 255	CW rotation (slow~fast)							



Mode 2 (Advanced)

Ch #	Function	Value	Percent/Setting
1	Pan	000 ∘ 255	0~540°
2	Pan Fine	000 ∘ 255	0~100%
3	Tilt	000 ∘ 255	0~270°
4	Tilt Fine	000 ∘ 255	0~100%
5	Pan/Tilt Speed	000 ∘ 255	Fast~Slow
6	Dimmer	000 ∘ 255	0~100%
7	Dimmer Fine	000 ∘ 255	0~100%
8	Shutter	000 ∘ 015	Open
		016 ∘ 131	Slow ~Fast
		132 ∘ 167	Slow open/Fast close
		168 ∘ 203	Fast open/Slow close
		204 ∘ 239	Slow open/Slow close
		240 ∘ 247	Random strobe
9	Color 1	000 ∘ 007	Open (white)
		008 ∘ 015	Dark Blue
		016 ∘ 023	Pink
		024 ∘ 031	Light Yellow
		032 ∘ 039	Light Green
		040 ∘ 047	Light Blue
		048 ∘ 055	Magenta
		056 ∘ 063	5600 K
		064 ∘ 127	Split Colors
		128 ∘ 189	CCW rotation (fast~slow)
190 ∘ 191	Stop		
192 ∘ 255	CW rotation (slow~fast)		
10	Color 2	000 ∘ 007	Open (white)
		008 ∘ 015	Red
		016 ∘ 023	Blue
		024 ∘ 031	Pink
		032 ∘ 039	Green
		040 ∘ 047	Yellow
		048 ∘ 055	Orange
		056 ∘ 063	UV Purple
		064 ∘ 127	Split Colors
		128 ∘ 189	CCW rotation (fast~slow)
		190 ∘ 193	Stop
194 ∘ 255	CW rotation (slow~fast)		
11	Cyan	000 ∘ 255	0~100%
12	Magenta	000 ∘ 255	0~100%
13	Yellow	000 ∘ 255	0~100%
14	3200 K / CTO Filter	000 ∘ 255	0~100%
15	Filters Speed	000 ∘ 255	0~100%
16	Zoom	000 ∘ 007	No Function
		008 ∘ 255	0~100%
17	Preset Color	000 ∘ 021	Open (white)
		022 ∘ 042	Color 1
		043 ∘ 063	Color 2
		064 ∘ 085	Color 3
		086 ∘ 106	Color 4
		107 ∘ 127	Color 5
		128 ∘ 148	Color 6
		149 ∘ 170	Color 7
		171 ∘ 191	Color 8
		192 ∘ 212	Color 9
		213 ∘ 233	Color 10
234 ∘ 255	Color 11		

Ch #	Function	Value	Percent/Setting
18	Color Macro	000 ∘ 007	Open
		008 ∘ 049	Macro 1
		050 ∘ 091	Macro 2
		092 ∘ 133	Macro 3
		134 ∘ 175	Macro 4
		176 ∘ 217	Macro 5
218 ∘ 255	Macro 6		
19	Pan/Tilt Macro	000 ∘ 007	Off
		008 ∘ 015	Macro 1
		016 ∘ 023	Macro 2
		024 ∘ 031	Macro 3
		032 ∘ 039	Macro 4
		040 ∘ 047	Macro 5
		048 ∘ 055	Macro 6
		056 ∘ 063	Macro 7
		064 ∘ 071	Macro 8
		072 ∘ 079	Macro 9
		080 ∘ 087	Macro 10
		088 ∘ 095	Macro 11
		096 ∘ 103	Macro 12
		104 ∘ 120	Macro 13
		121 ∘ 127	Macro 14
		128 ∘ 135	Macro 15
		136 ∘ 143	Macro 16
		144 ∘ 151	Macro 17
		152 ∘ 159	Macro 18
		160 ∘ 167	Macro 19
		168 ∘ 175	Macro 20
		176 ∘ 183	Macro 21
		184 ∘ 191	Macro 22
		192 ∘ 207	Macro 23
		208 ∘ 223	Macro 24
		224 ∘ 231	Macro 25
		232 ∘ 247	Macro 26
248 ∘ 255	Macro 27		
20	Pan/Tilt Macro Range	000 ∘ 255	0~100%
21	Function	000 ∘ 069	No function
		070 ∘ 079	Pan/tilt blackout (enable)
		080 ∘ 089	Pan/tilt blackout (disable)
		090 ∘ 099	Color blackout (enable)
		100 ∘ 109	Color blackout (disable)
		110 ∘ 129	No function
		130 ∘ 139	Lamp On
		140 ∘ 149	Pan/tilt reset
		150 ∘ 159	Color reset
		160 ∘ 169	No function
		170 ∘ 179	Shutter reset
180 ∘ 189	Zoom reset		
190 ∘ 199	No function		
200 ∘ 209	Reset all		
210 ∘ 229	No function		
230 ∘ 239	Lamp off		
240 ∘ 255	No function		

5. Technical Information

General Maintenance

To maintain optimum performance and minimize wear, the user should clean the light fixtures frequently. Usage and environment are contributing factors in determining the cleaning frequency. As a rule, the user should clean the fixtures at least twice a month. Dust build up reduces light output performance and can cause overheating. This can lead to reduced light source life and increased mechanical wear.

Chauvet recommends cleaning the fixture's external optics with a soft cloth using normal glass cleaning fluid.

To clean a fixture, follow the recommendations below:

1. Unplug the fixture from power.
2. Wait until the fixture is cold.
3. Use a vacuum (or dry compressed air) and a soft brush to remove dust collected on the external vents and reachable internal components.
4. Clean all external optics and glass surfaces with a mild solution of glass cleaner or isopropyl alcohol, and a soft, lint free cotton cloth or a lens cleaning tissue.
5. Apply the solution directly to the cloth or tissue and drag any dirt or grime to the outside of the lens.
6. Gently polish the external glass surfaces until they are free of haze and lint.
7. When cleaning units with a movable mirror, you should keep the contact with the mirror surface to a minimum to avoid scratching or damaging it.



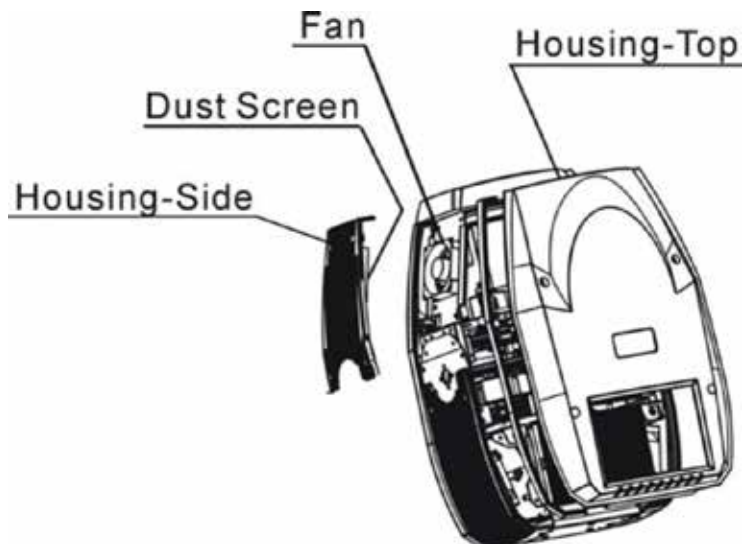
Always dry the external optics and glass surfaces carefully after cleaning them.



If the fixture has one or more fans, refrain from spinning them using compressed air.

Dust Screen Cleaning

The Legend 1200E Wash fixture uses multiple fans. To prevent dust buildup on the components of the optic path, each of the fans on the forward section of the moving head have a dust screen as shown in the diagram below.



To access the dust screens, remove the bottom and top housings of the moving head, at which point you will be able to remove the housing sides. Once you have cleaned the dust screens, reverse the process to replace them.



Despite having dust screens, the fixture still needs regular cleaning of its lenses, color wheels, and the other components in the optical path.



Error Messages

Message	Cause(s)	Action(s)
Lamp Startup Fail	The lamp has not started after being struck.	<ul style="list-style-type: none"> • Check lamp • Check lamp socket and wiring • Check ballast and igniter
Temperature Sense Fail	There is no communication with temperature sensor.	<ul style="list-style-type: none"> • Check sensor wiring • Check sensor integrity • Check control board
Lamp Hot Protection	Fixture temperature is higher than 105° C; lamp was switched to low power for safety.	<ul style="list-style-type: none"> • Check fans • Check fan wiring • Clean vents
Lamp Hot Power Off	Fixture temperature is 110° C or higher; lamp was switched to off for safety.	<ul style="list-style-type: none"> • Check fans • Check fan wiring • Clean vents
Maintenance Fixture	Fixture Maintenance timer expired.	<ul style="list-style-type: none"> • Proceed with maintenance and reset timer
Lamp On Over 700 Hour	Lamp change is overdue.	<ul style="list-style-type: none"> • Change lamp
Memory Initial Fail	Memory chip error found.	<ul style="list-style-type: none"> • Change main board
Fan 1 Error Fan 2 Error Fan 3 Error Fan 4 Error Fan 5 Error Fan 6 Error	The indicated fan is not working.	<ul style="list-style-type: none"> • Check fan • Check fan wiring
CPU-B Error CPU-C Error CPU-D Error CPU-E Error CPU F Error CPU G Error	There is no communication with the indicated auxiliary CPU.	<ul style="list-style-type: none"> • Check sensors wiring and position • Check stepper motor, belt, and driver board • Check control boards
Pan Home Sensor Error Pan Encode Error Tilt Home Sensor Error Tilt Encode Error	The moving head failed going to home position after power up or fixture reset.	<ul style="list-style-type: none"> • Check moving head's free movement • Check sensors' wiring and position • Check stepper motor, belt, and driver board • Check the corresponding control board • Check main control board
Shutter Reset Fail Dimmer Reset Fail Color 1 Reset Fail Color 2 Reset Cyan Reset Fail Magenta Reset Fail Yellow Reset Fail 3200 K Filter Reset Error Frost Reset Fail Zoom Reset Fail	The indicated moving part failed going to home position after power up or fixture reset.	<ul style="list-style-type: none"> • Check part's free movement and integrity • Check sensors' wiring and position • Check stepper motor, belt, and driver board • Check the corresponding control board • Check main control board

Troubleshooting Guide

Symptom	Cause(s)	Action(s)
Fixture does not power up	<ul style="list-style-type: none"> No power on outlet Blown fuse Bad power cord/plug Bad power switch Bad power supply Bad main controller 	<ul style="list-style-type: none"> Repair outlet problem or use another outlet Replace blown fuse with same type and rating fuse Repair or replace power cord/plug Replace power switch Replace power supply Replace main controller
Fixture powers up but lamp does not ignite	<ul style="list-style-type: none"> State/Power On parameter set to NO Lamp temperature problems Lamp problems 	<ul style="list-style-type: none"> Change parameter to YES Check error messages and follow instructions Check error messages and follow instructions
Lamp ignited but has low intensity/color temperature	<ul style="list-style-type: none"> Dimmer not at full output Lamp still cold CTC or CMY filter interfering Defective or old lamp Misaligned lamp Defective lamp wires or socket Defective ballast 	<ul style="list-style-type: none"> Adjust dimmer value Wait for lamp to come up with full output temperature Set color wheel or filter to home position Replace lamp Realign lamp Repair/change wiring or socket Replace ballast
Lamp flickers or turns off by itself	<ul style="list-style-type: none"> Defective or old lamp Temperature problems Defective lamp wires or socket Defective ballast 	<ul style="list-style-type: none"> Replace lamp Check error messages and follow instructions Repair/change wiring or socket Replace ballast
Circuit breaker/fuse keeps tripping/blowing	<ul style="list-style-type: none"> Excessive circuit load Short circuit along the power wires 	<ul style="list-style-type: none"> Check total load placed on the electrical circuit Check for a short in the electrical wiring
Fixture does not respond to DMX when nearby fixtures on the same universe do	<ul style="list-style-type: none"> Wrong DMX addressing Damaged DMX cables Wrong polarity on the controller Loose DMX cables Faulty DMX interface Faulty Display/Main board 	<ul style="list-style-type: none"> Check DMX mode and starting DMX address Check DMX cables Check polarity switch settings on the controller Check cable connections Replace the Main board Replace the Main board
DMX signal problems	<ul style="list-style-type: none"> Non DMX cables Bouncing signals Long cable / low level signal Too many fixtures Interference from AC wires 	<ul style="list-style-type: none"> Use only DMX compatible cables Install terminator as suggested Install an optically coupled DMX splitter right after the fixture with the strong signal Install an optically coupled DMX splitter after unit #32 or before Keep DMX cables separated from power cables or fluorescent/black lights



If you still experience technical problems after trying the above solutions, contact Chauvet Technical Support.

Returns Procedure

The user must send the merchandise prepaid, in the original box, and with its original packing and accessories. Chauvet will not issue call tags.

Call Chauvet and request a Return Merchandise Authorization Number (RMA #) before shipping the fixture. Be prepared to provide the model number, serial number, and a brief description of the cause for the return.

The user must clearly label the package with a Return Merchandise Authorization Number (RMA #). Chauvet will refuse any product returned without an RMA #.



DO NOT write the RMA # directly on the box. Instead, write it on a properly affixed label.

Once you receive the RMA #, please include the following information on a piece of paper inside the box:

- Your name
- Your address
- Your phone number
- The RMA #
- A brief description of the problem

Be sure to pack the fixture properly. Any shipping damage resulting from inadequate packaging will be the customer's responsibility. As a suggestion, proper UPS packing or double-boxing is always a safe method to use.



Chauvet reserves the right to use its own discretion to repair or replace returned product(s).

Claims

The carrier is responsible for any damage incurred during shipping to this product or any part that shipped with it. Therefore, if the received merchandise appears to have damages caused during shipping, the customer must submit the damage report and any related claims with the carrier, not Chauvet. The customer must submit the report upon reception of the damaged merchandise. Failure to do so in a timely manner may invalidate the customer's claim with the carrier.

For other issues such as missing components or parts, damage not related to shipping, or concealed damage, the customer must make claims to Chauvet within seven (7) days of receiving the merchandise.

Technical Specifications

Dimensions and Weight

Fixture Only

Length	Width	Height	Weight
17.3 in (440 mm)	22.8 in (578 mm)	31.6 in (803 mm)	79.75 lbs (36.17 kg)

Fixture in Flight Case

Length	Width	Height	Weight
25 in (635 mm)	28 in (711 mm)	35 in (889 mm)	191.05 lbs (86.22 kg)

Power

Power Supply Type	Range	Voltage Selection
Switching (w/PF correction)	100~240 V, 50/60 Hz	Auto-ranging

Parameter	208 V, 60 Hz	230 V, 50 Hz
Consumption	1,604 W (7.86 A)	1,584 W (7.15 A)
Inrush current	4.3 A	3.8 A
Power Factor	0.92	0.92
Fuse	F 15 A, 250 V, 6 x 30 mm (fast blow)	

Power I/O	Input	Output
Connectors	Cable boot	N/A
Cord plugs	Bare ended	N/A

Light Source

Type	Power	Quantity
HID Lamp (short arc)	1200 W	1

Socket	Lifespan
PGJX50	750 (50% failure)

Approved Lamps

Phillips	Osram	GE
MSR1200SA/SE FastFit™	HTI 1500 W/60/P50 Lok-It™	CSR 1200/SA/TAL

Head Movement

Pan Range	Tilt Range	Fine Adjustment Option
0~540°	0~270°	Yes (Advanced Mode)

Photometrics

Parameter	Minimum Zoom	Maximum Zoom
Illuminance @ 5 m	104,200 lx	6,600 lx
Beam angle	5.6°	20.75°

Thermal

Maximum External Temp.	Maximum Surface Temp.	Cooling System
104 °F (40 °C)	135 °F (57 °C)	Fans

DMX

I/O Connectors	Connector Type	Channel Range
3- and 5-pin XLR	Sockets	16 and 21

Ordering

Legend™ 1200E Wash	Flight Case
LEGEND1200EWASH	Included

Warranty

Duration	Coverage	Details
2 years	Limited	See Warranty Card

Contact Us

WORLD HEADQUARTERS - Chauvet

General Information

Address: 5200 NW 108th Avenue
Sunrise, FL 33351

Voice: (954) 577-4455

Fax: (954) 929-5560

Toll free: (800) 762-1084

Technical Support

Voice: (954) 577-4455 (Press 4)

Fax: (954) 756-8015

Email: tech@chauvetlighting.com

World Wide Web www.chauvetlighting.com

UNITED KINGDOM AND IRELAND - Chauvet Europe Ltd.

General Information

Address: Unit 1C
Brookhill Road Industrial Estate
Pinxton, Nottingham, UK
NG16 6NT

Voice: +44 (0)1773 511115

Fax: +44 (0)1773 511110

Technical Support

Email: uktech@chauvetlighting.com

World Wide Web www.chauvetlighting.co.uk

MEXICO - Chauvet Mexico

General Information

Address: Av. Santa Ana 30
Parque Industrial Lerma
Lerma, Mexico C.P. 52000

Voice: +52 (728) 285-5000

Technical Support

Email: servicio@chauvet.com.mx

World Wide Web www.chauvet.com.mx

CHAUVET EUROPE - Chauvet Europe BVBA

General Information

Address: Stokstraat 18
9770 Kruishoutem
Belgium

Voice: +32 9 388 93 97

Technical Support

Email: Eutech@chauvetlighting.eu

World Wide Web www.chauvetlighting.eu

Outside the U.S., United Kingdom, Ireland, Mexico, or Benelux contact the dealer of record. Follow their instructions to request support or to return a product. Visit our website for contact details.