

EXPOLITE

DMX Coder Fixturemanager



Manual

T ABLE OF CONTENTS

PART 1 PRODUCT (GENERAL).....1.
 1.1--PRODUCT INTRODUCTION.....1.
 1.2--PRODUCT FEATURES.....1.
 1.3--TECHNICAL SPECIFICATIONS.....1.
 1.4--SAFETY WARNING.....2.

PART 2 INSTALLATION.....3.
 2.1--SETTING PARAMETERS.....3.

PART 3 OPERATION..... 4.
 3.1--BASIC.....4.
 3.2--SETTING UP.....4.
 3.3--DMX ADDRESS.....5.
 3.4--PERSONALITY.....5.
 3.5--CALIBRATION.....5.
 3.6--DIMMER.....6.
 3.7--STATIC.....6.
 3.8--SETTINGS.....6.

PART 4 USING ADMX512 CONTROLLER..... 7.

ARC3+D

CHANNEL	VALUE	FUNCTION
1	0 ↔ 255	MASTER DIMMER
2	0 ↔ 255	RED
3	0 ↔ 255	GREEN
4	0 ↔ 255	BLUE
5	0 ↔ 255	WHITE
6	0 ↔ 255	AMBER

ARC FULL

CHANNEL	VALUE	FUNCTION
VARIATION		PLEASE REFER TO THE SPECIFIC FIXTURE

SOLID

CHANNEL	VALUE	FUNCTION
1	0 ↔ 255	MASTER DIMMER

SPECIAL1

CHANNEL	VALUE	FUNCTION
VARIATION		PLEASE REFER TO THE SPECIFIC FIXTURE

SPECIAL2

CHANNEL	VALUE	FUNCTION
VARIATION		PLEASE REFER TO THE SPECIFIC FIXTURE

ARC2

CHANNEL	VALUE	FUNCTION
1	0 ↔ 255	RED
2	0 ↔ 255	GREEN
3	0 ↔ 255	BLUE
4	0 ↔ 255	WHITE

ARC2+D

CHANNEL	VALUE	FUNCTION
1	0 ↔ 255	MASTER DIMMER
2	0 ↔ 255	RED
3	0 ↔ 255	GREEN
4	0 ↔ 255	BLUE
5	0 ↔ 255	WHITE

ARC3

CHANNEL	VALUE	FUNCTION
1	0 ↔ 255	RED
2	0 ↔ 255	GREEN
3	0 ↔ 255	BLUE
4	0 ↔ 255	WHIITE
5	0 ↔ 255	AMBER

1 PRODUCT (GENERAL)

1.1 PRODUCT INTRODUCTION

This product is designed as an exterior display for the outdoor architectural fixtures. The DMX Coder is a multi-purpose controller, which can control our entire range of outdoor lighting fixture. Because of the different characteristics of each fixture, please select corresponding light source and DMX channels on the DMX Coder according to the fixture you use.....

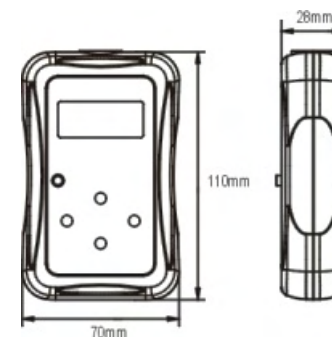
1.2 PRODUCT FEATURES

DMX CODER

- * Dimmer 0-100%
- * Calibration
- * Strobe
- * Dimmer speed control
- * Static Function
- * DMX512
- * Lightweight plastic casing

1.3 TECHNICAL SPECIFICATIONS

<u>DMX CODER:</u>	
Battery	2 X 1.5V DC
Dimensions	110 x 70 x 28mm
Weight	0.2Kg



1.4 SAFETY WARNING

IMPORTANT

[ALWAYS READ THE USER MANUAL BEFORE OPERATION.]

- Always operate the equipment as described in the user manual.
- The product must always be placed in a well ventilated area.
- Always make sure that the equipment is installed securely.
- Do not touch the power cables if your hands are wet.
- Remove the batteries if long time without operation.

ATTENTION



- This product left the place of manufacture in perfect condition. In order to maintain this condition and for safe operation, the user must always follow the instructions and safety warnings described in this user manual.
- Avoid shaking or strong impacts to any part of the equipment.
- Make sure that all parts of the equipment are kept clean and free of dust.
- Always make sure that the power connections are connected correct and secure.
- If there is any malfunction of the equipment, contact your distributor immediately.
- When transferring the product, it is advisable to use the original packaging in which the product left the factory.

4 USING A DMX512 CONTROLLER

- Note: This product has twelve DMX512 channel configurations: **[VW]** , **[VW+D]** , **[ARC1]** ... **[SPECIAL1]** and **[SPECIAL 2]** .

VW

CHANNEL	VALUE	FUNCTION
1	0 ↔ 255	WARM
2	0 ↔ 255	COOL/ AMBER

VW+D

CHANNEL	VALUE	FUNCTION
1	0 ↔ 255	MASTER DIMMER
2	0 ↔ 255	WARM
3	0 ↔ 255	COOL/ AMBER

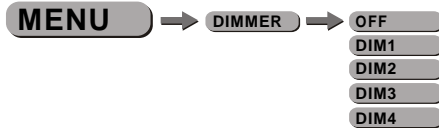
ARC1

CHANNEL	VALUE	FUNCTION
1	0 ↔ 255	RED
2	0 ↔ 255	GREEN
3	0 ↔ 255	BLUE

ARC1+D

CHANNEL	VALUE	FUNCTION
1	0 ↔ 255	MASTER DIMMER
2	0 ↔ 255	RED
3	0 ↔ 255	GREEN
4	0 ↔ 255	BLUE

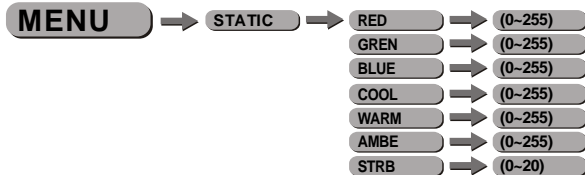
3.6 DIMMER



【DIMMER】

- Enter the **【DIMMER】** to select the dimmer work mode, press **【Enter】**
- When Dimmer is set to **【OFF】**, the Dimmer is linear.
- When selecting **【DIM1】**, **【DIM2】**, **【DIM3】**, or **【DIM4】**, the Dimmer is nonlinear.
- These 4 dimming modes have different nonlinear dimming effects. Each of them has a soft and smooth dimming effect

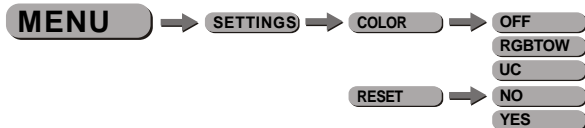
3.7 STATIC



【STATIC】

- Enter the **【STATIC】** mode to create the programs
- Combine **【RED】**, **【Gren】**, **【Blue】**, **【Cool】**, **【Warm】** or **【Ambe】** to create an infinite range of colors
- Set the value of the **【STROBE】** **【0-20Hz】**
- Please select corresponding colors according to the requested fixture.
- The static setting will be valid when the fixture is powered again

3.8 SETTINGS



【COLOR】

- When **【RGB TO W】** is set to **【YES】**, the color is perfect white as the actual RGB values are adjusted to make white. When it is set to **【OFF】**, the RGB values are not adjusted and the output is most powerful. The **【RGB TO W】**'s parameter can be adjusted in **【CALIB】**.
- **【UC】** Function can compatible with the older version **【RGB】** to make color consistency.

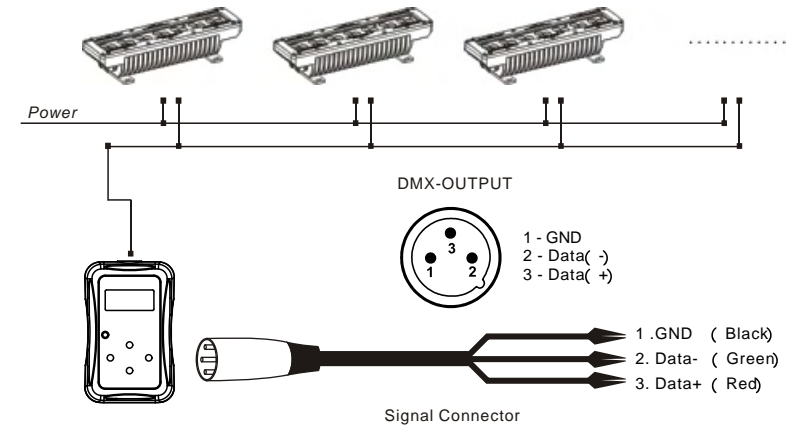
【RESET】

- Enter the **【RESET】**, pass **【YES】** to reset all setting to the original factory setting

2 INSTALLATION

2.1 SETTING PARAMETERS

- Connect the DMX Coder to the units in series
- Select corresponding functions of fixtures through the DMX Coder according to the fixture you use...
- A maximum of 20 units in series can be set by the DMX Coder at the same time
- All connected units will be set with the same information



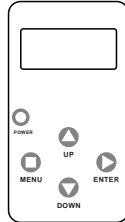
- For the outdoor series, please refer to the DMX information as the following:

Pins	Functions
Pin1 Shield	Gnd/0
Pin2 (black)	Data input (-)
Pin3 (white)	Data input (+)
Pin4 (green)	Data output (-)
Pin5 (red)	Data output (+)

3 OPERATION

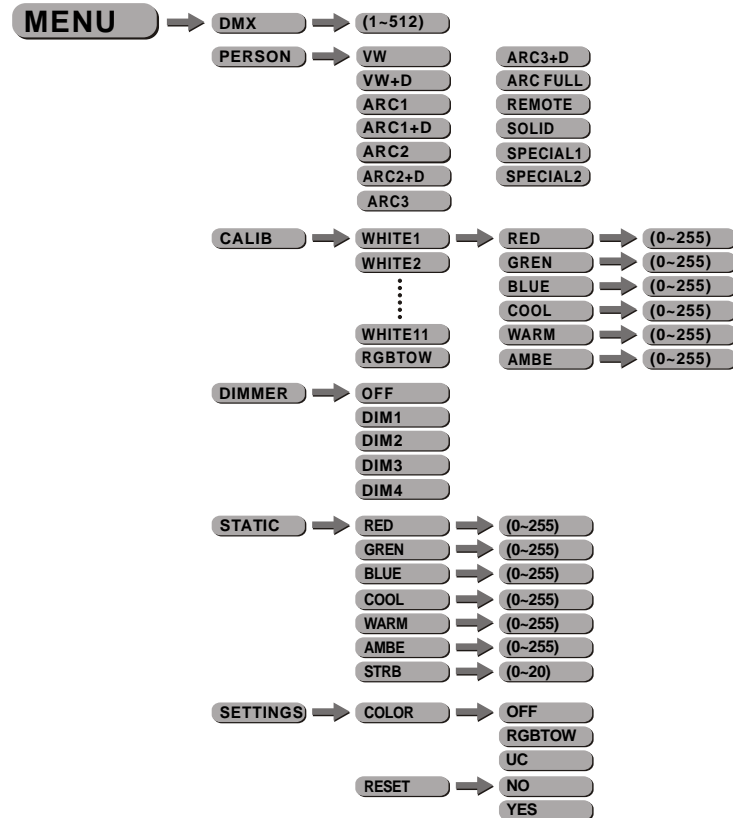
3.1 BASIC

- 【 POWER 】** Power on
- 【 MENU 】** Scroll through the main menu or exit from the current sub-menu (press and hold to turn off power)
- 【 ENTER 】** Enter the currently selected menu or confirm the current function value
- 【 DOWN 】** Scroll 'DOWN' through the menu list or decrease the value of the current function
- 【 UP 】** Scroll 'UP' through the menu list or increase the value of the current function



Note: The DMX Coder will automatically power off after extended periods of being idle (1 minute)

3.2 MENU



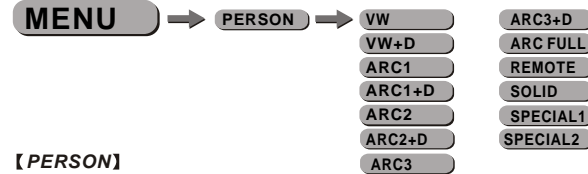
3.3 DMX ADDRESS



【 DMX 】

- Enter the **【 DMX 】** mode to set the DMX address, press **【 Enter 】**
- On successful setting, the fixtures will display Green and turn off after ten seconds
- If an error occurs when setting, the fixtures will display Red or no response

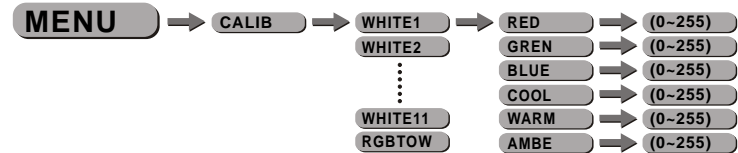
3.4 PERSONALITY



【 PERSON 】

- Enter **【 PERSON 】** and select **【 VW 】** / **【 VW+D 】** / **【 ARC 1 】** / **【 ARC1+D 】** ... **【 SPECIAL1 】** / **【 SPECIAL2 】** mode, press **【 Enter 】**
- When selecting **【 REMOTE 】**, the fixture is ready to receive signals from the PiX Controller
- When selecting the others and the fixture is under the DMX work mode.
- Please select corresponding working mode according to the requested fixture.

3.5 CALIBRATION



【 CALIB 】

- Enter the **【 CALIB 】** to select white colors of different color temperature
- There are 11 pre-programmed white colors plus RGB and can be edited by using **【 Red 】**, **【 Gren 】**, **【 Blue 】**, **【 Cool 】**, **【 Warm 】** or **【 Ambe 】**, press **【 Sending 】** to set the values
- While working under **【 ARC FULL 】**, **【 WHITE1-9 】** means the different color temperature white 1 to white 9 of CH5
- Select **【 RGB TOW 】** to set the ratio of **【 Red 】**, **【 Gren 】**, **【 Blue 】**, **【 Cool 】**, **【 Warm 】** or **【 Ambe 】** on DMX channels, achieving different white colors
- Please select corresponding colors according to the requested fixture.