

### Calidou Electronic Panel Radiator

#### Models:

**CAL075 / CAL100 / CAL150 / CAL200**



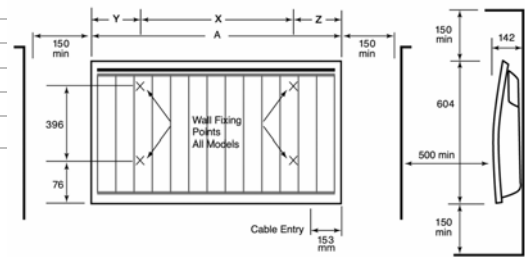
**IP24**

Issue 5 November 2004

#### Dimensions and Specification

Model	Loading (kW)	Length (A) (mm)	Height (mm)	Depth (mm)	X (mm)	Y (mm)	Z (mm)	Weight (kg)
CAL075	0.75	455	604	142	140	87	228	17
CAL100	1.0	621	604	142	300	87	234	24
CAL150	1.5	870	604	142	400	226	242	33
CAL200	2.0	1202	604	142	700	227	275	47

#### MAIN AND FIXING DIMENSIONS



### THESE INSTRUCTIONS SHOULD BE READ CAREFULLY AND RETAINED FOR FUTURE REFERENCE

#### IMPORTANT SAFETY ADVICE

- When using electrical appliances, basic precautions should always be followed to reduce the risk of fire, electrical shock, and injury to persons, including the following:
- WARNING THE SURFACES OF THIS HEATER CAN BE HOT** Momentary contact with any part of the heater should not cause injury. However, aged or infirm persons or young children should not be left unsupervised in the vicinity of the heater unless a suitable guard is fitted
- IMPORTANT** – If this heater is installed in a room containing a bath or shower, it should be so installed that switches and other controls cannot be touched by a person using a bath or shower – to comply with this requirement see 'Lock the Control Cover' section on page 2.
- If you use this heater in conjunction with an external thermal control, a programme controller, a timer or any other device which switches the heat on automatically, observe all safety warnings **AT ALL TIMES** since a fire risk exists when the heater is accidentally covered or displaced
- The installation of this product should be carried out by an electrician or competent person and be in strict accordance with the current IEE Wiring Regulations and relevant Building Regulations
- This heater must not be mounted within 150mm of curtains and other combustible materials or 100mm from a shelf or overhang
- NEVER** cover or obstruct in any way the heat outlet slots at the top of the heater or the air inlet slots at the base of the heater
- DO NOT** cover the heater – Do not place material or garments on the heater or obstruct the air circulation around the heater
- Before connecting the heater check that the supply voltage is the same as that stated on the heater
- The heater must be installed in accordance with these instructions
- The heater must be mounted using the wall bracket supplied. The heater should only be operated in the upright position
- The heater should be positioned in accordance to the clearances stated in these instructions
- DO NOT** locate this heater immediately beneath a fixed socket outlet

#### General

The Calidou radiator is designed to provide exceptional levels of comfort with a combination of radiant and convected heat in both domestic and commercial applications.

#### Wall Mounting / Installation

The heater should be positioned observing the minimum clearances stated around the heater.

(see also 'Electrical' section)

The wall bracket supplied with the heater must be used

- Using a screwdriver, turn the latch in a clockwise direction to unlatch the bracket, then remove it from the appliance (see Fig.1)
- Mount the bracket on the wall using a minimum of 4 screws (max diameter 6mm) making sure that it is the correct way up and at the correct height. (see Fig.2)
- Position the appliance on the bracket.
- Re-latch the bracket turning the latch anti-clockwise.

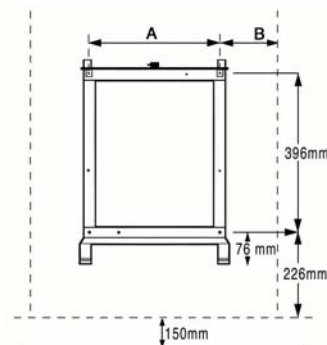


Fig. 2

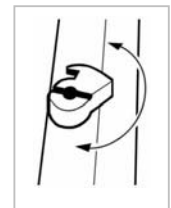


Fig. 1

Model	A (mm)	B (mm)
CAL075	140	228
CAL100	300	234
CAL150	400	242
CAL200	700	27

#### Electrical

The wires in the mains lead are coloured in accordance with the following code:

<b>GREEN &amp; YELLOW</b>	<b>EARTH</b>
<b>BLUE</b>	<b>NEUTRAL</b>
<b>BROWN</b>	<b>LIVE</b>
<b>BLACK</b>	<b>PILOT WIRE</b>

(See also 'Pilot Wire Connection')

The heater is fitted with a length of flexible cable for connection to the fixed wiring of the premises through a suitable connection box positioned adjacent to the heater.

The supply circuit to each heater must incorporate a double pole isolating switch having a contact separation of at least 3mm

#### Pilot Wire Connection

The BLACK control wire is designed to carry a signal from slot in or wall mounted Dimplex programmers. If, however a programmer is not being used, the pilot wire should be isolated in accordance with the current IEE Wiring Regulations.

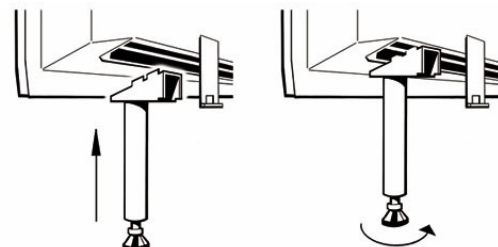
**IMPORTANT** - Do **NOT** connect the BLACK pilot wire to earth

Care should be taken with the installation of the pilot wire(s) as when switching to background (set back) they become energised at 240V although only at a current of 1mA.

In every case a suitable means of isolation must be provided for the pilot wire and marked to indicate that two sources of supply may be present at the heater.

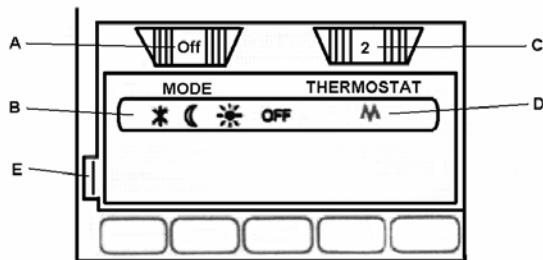
Where pilot wires are installed separately from the heater final sub-circuit they should be protected, double insulated and carry their own integral earth continuity conductor.

If the wall is a light partition or crumbling, then supporting legs are also needed (Part No. CAL0001). The heater **MUST** be fitted to the wall as well as having the supporting legs



- Place the legs under the heater
- Position the hinges into the grooves in the air inlet
- Unscrew the jacks, until they reach the floor

## Operation



A - Function Selector B - Function Display  
C - Thermostat D - Thermostat Indicator  
E - Cover Opening Tab

### Mode Selection Dial (A)

Use this rotary dial to select the function you require

Symbol	Function	Description
	Frost Protection	Heater will switch on to provide frost protection if the room drops below 5°C
	Background (set back)	Heater will maintain a lower temperature level for background heating (comfort less 3.5°C)
	Comfort	Heater will maintain the temperature set on the thermostat dial
<b>Off</b>	Off	Heater will not function
	Programme	Heater will be controlled by a programming device

**Note:** If the programme function is selected but no programming device is being used, the heater will function in comfort mode

The following Dimplex programmers are available:

- Pilot Wire Wall Mounted Controller (2 Zone) – Part no. RX010006
- MBS Wall Mounted Programmer (2 Zone) – Part no. RX010007
- MBS Slot in Receiving Cassette – Part No. RX9913
- MBS Slot in Programming Cassette (Single Zone) – Part no. RX9912
- Pilot Wire Programming Cassette (Single Zone) – Part no. RX9911

### Function Display (B)

Neon indicators adjacent to the function selector will light to show the mode selected

### Setting the Comfort Temperature (C)

Use the thermostat dial (C) to select your desired room temperature. The markings on the dial are in approximately 3.5°C increments. The settings are \* (Frost Protection) and numbers 1-10 (MAX). The quickest way to find your comfort setting is to turn the thermostat dial to the maximum setting. When your ideal comfort level is achieved, turn the thermostat dial down until the thermostat switches off (the neon light will go out) Leave at this setting and the heater will automatically maintain the desired temperature.

### Thermostat Light (D)

The neon indicator below the thermostat will light when the heater is operating.

### Background (set back)

The background setting is preset at - 3.5°C this is the amount the room temperature will be allowed to drop when you switch the function selector from comfort to background.

Reverting to comfort mode will automatically cause the temperature to rise to the setting on the thermostat dial.

## Advice on Using your Heater

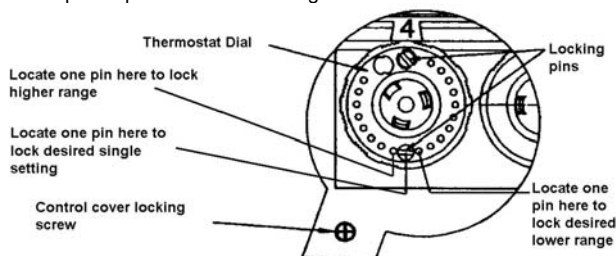
- For greatest economy switch the heater to background (setback) if you leave the room for long periods of time or before going to bed.
- Do not set the comfort level too high. Even small reductions on the thermostat setting can save a lot of energy.
- If you go away for a long period of time select the frost protection setting on the function dial or reduce the thermostat setting to a lower level.

### Locking the Thermostat Setting (C)

If necessary you can lock the thermostat dial to a single setting or range. To lock the settings, use a small pair of narrow nosed pliers to pull out the locking pins at the rear of the thermostat dial.

The following settings can be obtained: (see Fig.4)

- **Single setting** – Set thermostat dial to desired setting (eg no.6). Locate one pin directly opposite the setting required
- **Minimum setting** – Set thermostat dial to desired setting (e.g. no.6). Locate one pin opposite the setting required and one hole to the left. (The thermostat will now be adjustable from 6-9 only)
- **Maximum setting** – Set thermostat dial to desired setting (eg no.6). Locate one pin opposite the setting required and one hole to the right. (The thermostat dial will now be adjustable from 1-6 only)
- **Minimum - maximum setting** – (e.g. no.2-4) Locate both pins and space apart until desired range is found



### To Lock the Control Cover (E)

A screw is provided to permanently lock the cover in position. It is located on the back of the control box, under the thermostat dial. Remove this and screw through the notch below the lifting tab into the plastic housing. (see Fig.4 above)

### Safety

A thermal cut-out will switch off the heater if, for any reason, it overheats. Should the cut-out operate, switch off the mains supply and allow the heater to cool. Once the heater has cooled sufficiently remove the obstruction and switch on the mains supply.

### Cleaning

Before cleaning your heater, switch off the heater and allow it to cool. Disconnect the electricity supply to the appliance. The outside can be cleaned by wiping it over with a soft damp cloth and then dried. Do not use abrasive cleaning powders or furniture polish, as this can damage the surface finish.

### After Sales Service

Your product is guaranteed for one year from the date of purchase. Within this period, we undertake to repair or exchange this product free of charge (excluding lamps & subject to availability) provided it has been installed and operated in accordance with these instructions. Your rights under this guarantee are additional to your statutory rights, which in turn are not affected by this guarantee. Should you require after sales service you should contact our customer services help desk on 0870 727 0101. It would assist us if you can quote the model number, series, date of purchase, and nature of the fault at the time of your call. The customer services help desk will also be able to advise you should you need to purchase any spares. Please do not return a faulty product to us in the first instance as this may result in loss or damage and delay in providing you with a satisfactory service.

**Please retain your receipt as proof of purchase.**

*This appliance complies with European Safety Standard EN 60335-2-30, and European Standards EN 55014, EN 60555-2 and EN60555-3 for Electromagnetic Compatibility. These standards cover the requirements of the EEC Directives 73/23 and 89/336.*

Glen Dimplex UK Ltd  
Millbrook House  
Grange Drive  
Hedge End  
Southampton  
SO30 2DF

UK Customer Help Line (8am-6pm Mon-Fri; 8:30am-1pm Sat.)  
Customer Services: Tel: (0870) 727 0101  
Fax: (0870) 727 0102  
E-mail: customer.services@glendimplex.com  
Web-site: www.dimplex.co.uk  
Republic of Ireland Tel: 01 842 4833