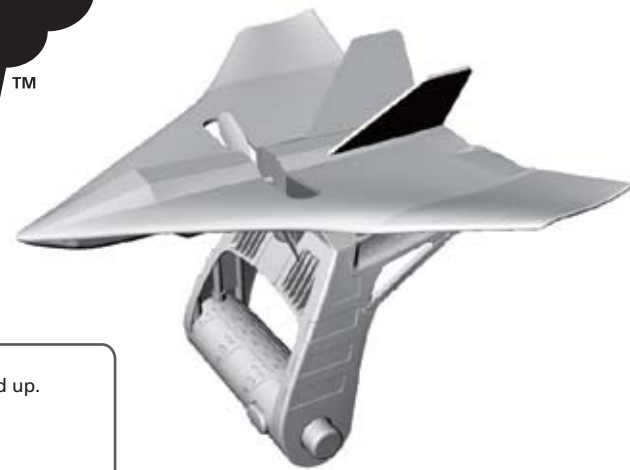


Elite Fleet™

Backyard Flyer

User Manual



BATTERIES REQUIRED: 3 X "AA" cells
WARNING! Always use under direct adult supervision. For use by ages 8 and up.
 Please read instruction booklet carefully before operating **Backyard Flyer**.
 Please keep instruction booklet and display box for future reference.

Any Questions?

Email our Customer Service Dept.: customerservice@kidgalaxy.com
 Call our Customer Service Dept.: Kid Galaxy Customer Service, Toll Free 1-800-816-1135

INTRODUCTION

• The **Backyard Flyer** is a unique, battery-powered rechargeable outdoor flying airplane that features an innovative wrist launcher / recharger. The Backyard Flyer plane is a futuristic delta design that returns long, stable flights.

PACKAGE CONTENTS

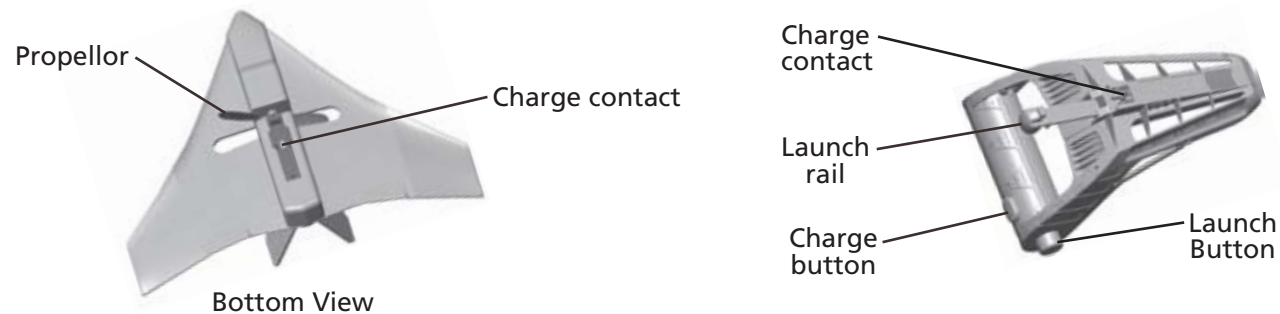


Backyard Flyer

Wrist Launcher

Instructions

PRODUCT DESCRIPTION



Propellor

Charge contact

Charge contact

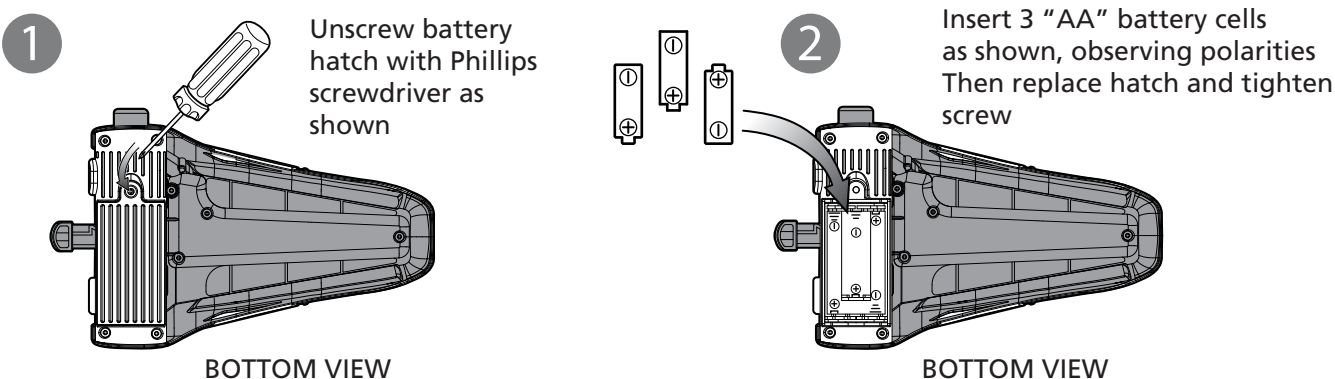
Launch rail

Charge button

Launch Button

Bottom View

PRODUCT DESCRIPTION



1

Unscrew battery hatch with Phillips screwdriver as shown

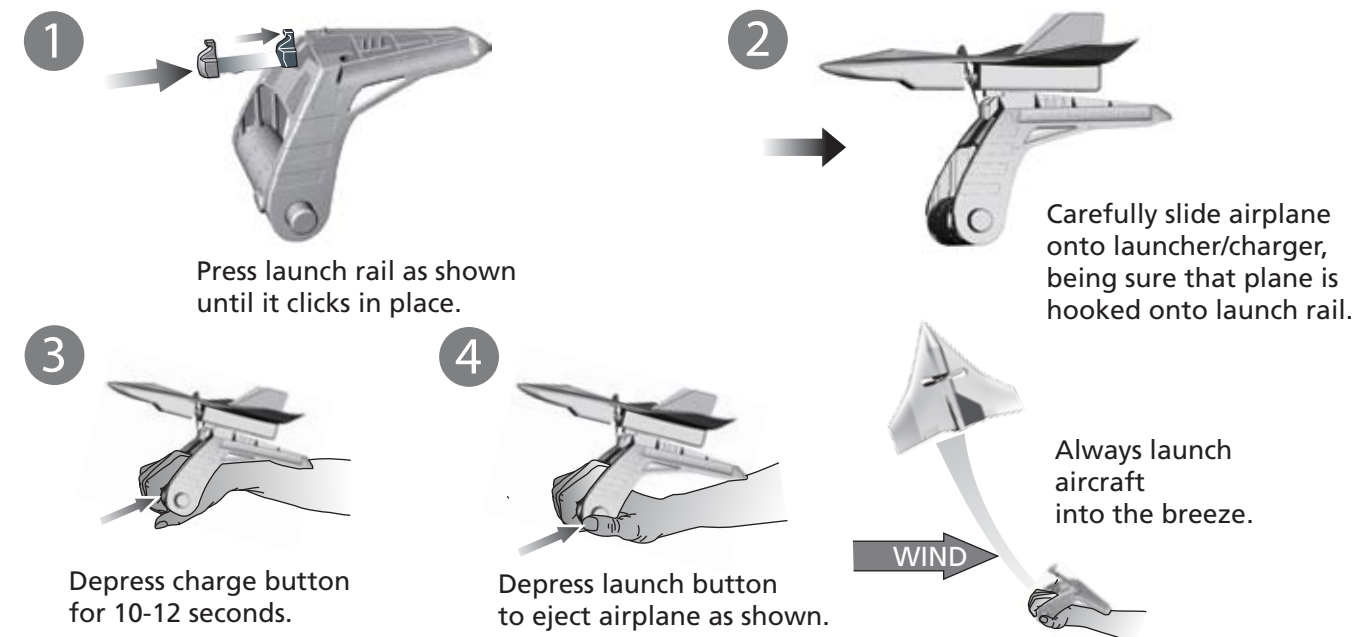
2

Insert 3 "AA" battery cells as shown, observing polarities. Then replace hatch and tighten screw

BOTTOM VIEW

BOTTOM VIEW

PRODUCT OPERATION



1

Press launch rail as shown until it clicks in place.

2

Carefully slide airplane onto launcher/charger, being sure that plane is hooked onto launch rail.

3

Depress charge button for 10-12 seconds.

4

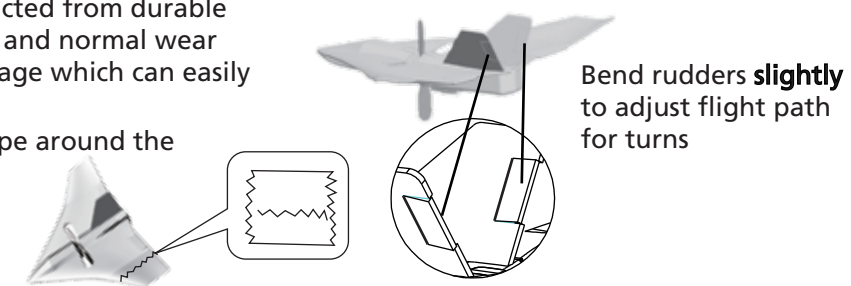
Depress launch button to eject airplane as shown.

Always launch aircraft into the breeze.

WIND

REPAIR AND FLIGHT TIPS

- Your **Backyard Flyer** is constructed from durable EPP foam. However, collisions and normal wear and tear can cause minor damage which can easily be fixed.
- Wrap a small piece of clear tape around the damaged area as shown.



Bend rudders **slightly** to adjust flight path for turns

SAFETY PRECAUTIONS

- Do not mix different brands of batteries.
- Do not mix new and used batteries.
- Do not mix alkaline, standard (carbon-zinc) or rechargeable (Ni-Cad) batteries.
- Insert batteries carefully observing correct polarities as indicated.
- Exhausted batteries must be disposed of correctly, do NOT burn as batteries may explode.
- Batteries should be disposed of by an adult.
- **Never** launch **Backyard Flyer** directly at people, animals and windows.
- Do not attempt to retrieve **Backyard Flyer** if stuck in trees, overhead wires or on top of buildings.
- Before launching, stand clear of trees and power wires as your **Backyard Flyer** will gain altitude quickly and may get stuck in trees and wires.
- Before flying, choose relatively calm days as wind can cause your **Backyard Flyer** to fly away from you.
- **Backyard Flyer** is NOT intended to be used indoors. It is specifically designed to be flown outdoors.

KID GALAXY INC. LIMITED WARRANTY

Kid Galaxy's products are covered under a 60 day limited warranty against manufacturer's defects. If a product is deemed defective and falls within the 60 day period, Kid Galaxy will repair or replace it at no charge. We require a copy of the original sales receipt to validate the purchase. Product must have been purchased within the US or Canada to be eligible. Please email us at: customerservice@kidgalaxy.com or call us.

Toll Free Hot Line: 800-816-1135

www.kidgalaxy.com

Kid Galaxy, Inc. 150 Dow St., Ste. 425B, Manchester, NH 03101
 Product Manufactured In China

WARNING:
CHOKING HAZARD - Small parts
 Not for children under 3 years.

