

VCST-01

Steam cleaner and Vacuum

**1 year
warranty**



User Guide

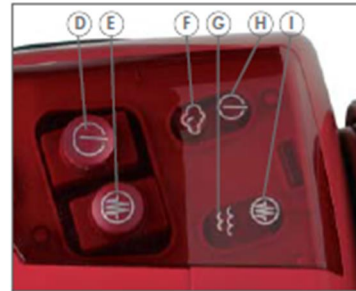
INSTRUCTIONS FOR USE

1. DETAILS _____ page 3
2. LIST OF ACCESSORIES _____ page 4
3. BEFORE USE _____ page 5
 - 3.1 Specifications _____ page 5
4. USES _____ page 5
5. GENERAL WARNINGS _____ page 6
6. STARTING UP _____ page 7
 - 6.1 Preparing the vacuum cleaner _____ page 7
 - 6.2 Starting the boiler _____ page 7
 - 6.3 Replacing the filter _____ page 7
7. OPERATION _____ page 8
 - 7.1 Preparing the vacuum cleaner _____ page 8
 - 7.2 Starting the boiler _____ page 8
 - 7.3 Replacing the filter _____ page 8
 - 7.4 Using steam and suction simultaneously _____ page 9
8. USING THE ACCESSORIES _____ page 10
 - BIG BRUSH (3) _____ page 10
 - WINDOW WIPER (13) _____ page 10
 - SMALL BRUSH (14) _____ page 11
 - EXTENSION + SPRAY (7) _____ page 11
 - SMALL NOZZLE BRUSH (8) _____ page 11
 - SUCTION ATTACHEMENTS (9-10-12) _____ page 11
 - UPHOLSTERY nozzle (11) _____ page 11
 - FILTERS _____ page 12
9. SUGGESTIONS _____ page 13
 - 9.1. Steam cleaning suggestions _____ page 13
 - 9.2. Vacuum suggestions _____ page 14
10. EMPTYING THE MACHINE TANK _____ page 15
11. TOPPING UP THE BOILER WATER TANK WITH WATER _____ page 15
12. AFTER USE _____ page 16
13. MAINTENANCE _____ page 16
14. TROUBLESHOOTING _____ page 17
15. DISPOSAL _____ page 18
16. APPLIANCE FEATURES _____ page 18
 - 16.1 Technical features nameplate _____ page 18
 - 16.2 Technical specifications _____ page 18
17. WARRANTY _____ page 19

1 DETAILS

**Colours of product may differ from final product received*

- A. Cable winder
- B. Power cable
- C. Boiler water tank cap
- D. Main switch
- E. Boiler switch
- F. "Steam-ready" pilot light
- G. "No-Water" pilot light
- H. Main switch pilot light
- I. Boiler switch pilot light
- J. Steam adjustment knob
- K. Pressure gauge
- L. Boiler water tank
- M. Machine tank
- N. Machine tank handle
- O. Filter assembly with float (O1)
- P. Microfibre filter
- Q. Sponge filter
- R. Solids filter
- S. Lower filter cover
- T. Handgrip
- U. Handgrip button
- V. Safety cover
- W. Steam socket
- X. Air filter
- Y. Carbon filter
- Z. Internal tank baffle



2 LIST OF ACCESSORIES AND COMPONENTS

**Colours of accessories and components may differ from final product received*

1. Hose tube
2. Extension tubes
3. Big brush
4. Carpet fitting
5. Floor fitting
6. Liquid fitting
7. Extension + spray
- 7a. Steam nozzle extension
8. Small nozzle brush
9. Crevice
10. Swivel brush
11. Upholstery nozzle
12. Radiator brush
13. Window wiper
14. Small brush
15. Small wiper attachment
16. Bristled attachment
17. Iron Optional
- 18.
19. Cotton cloth
- 19a. Recharging automatic valve bottle (Optional)
20. Cleaning tool (Optional)
21. Kit of spare seals
22. Handgrip
23. Quick connector
24. Front button
25. Steam lever
26. Remote suction motor button

27. Suction power level LED indicator
28. steam delivery safety lock
29. lower hooking lever



3 BEFORE USE

CAUTION! This user's manual is an integral part of the appliance. Read the user's manual carefully before using the appliance. Keep the manual for future reference.

3.1 Specifications

The manual uses specifications, shown below, to draw your attention to specific functions of the machine. It contains additional information and useful advice on how to make best use of the machine.

CAUTION! For safety reasons, be cautious with hot steam.

WARNING: this manual is for the appropriate use of the appliance only. Use of the machine outside the specifications shown is at the owner's risk

4 USES

With the use of water, this appliance lets you clean and sanitise surfaces professionally and thoroughly through the use of steam and suction.

- With its high pressure stainless steel boiler with an unlimited life span and easy to use accessories, it is possible to reliably clean and disinfect all surfaces with high pressure steam, thereby eliminating mites, germs and bacteria as well as limiting allergies

- With its high-efficiency suction and electronic control, it is possible to adjust the suction power directly from the gun and pick up the dirt that has been deeply ground-in. This is achieved by injecting steam into the surface to lift the dirt and then suck up the dust and liquids with its 4 filtering passage system.
- The water filter can be used to get extra filtration efficiency



STEAM CLEANING SYSTEM



WET & DRY VACUUM



WATER FILTER

5 GENERAL WARNING

- a. **Carefully read the “User Guide” before starting, using, performing work with the machine. The manufacturer will not be held responsible for injuries to persons or damage to property due to non-compliance with the aforementioned User Guide**
- b. It is recommended to keep all the pieces of the packing since they might be useful in the future to protect the machine and the accessories during transport to another location or sent for evaluation/repair. If not, the packing can be disposed in accordance with current disposal laws
- c. For commercial use only. Use the appliance for its specific purposes only
- d. The appropriate Personal Protective Equipment should be worn to operate the machinery and protect the user. This should be in accordance with an appropriate risk assessment prior to its first use
- e. Connect machine to a suitable 240V power supply. It is recommended that a RCD circuit breaker is used to provide earthed protection.
- f. Do not pull the plug by its cable
- g. Do not drag the appliance by its power cable
- h. Unwind the power cable completely before use
- i. Avoid using electrical extension cables; if necessary, use an extension cable with a safety approval mark with a protective earthing system. Minimum size of extension cable is $3 \times 1.5 \text{mm}^2$
- j. Unplug the appliance after use, before filling, cleaning of the tank or attachment of the hose
- k. Do not fill the tank by placing the appliance directly under a tap
- l. Before using the appliance, make sure that the cable, plug and hose are not damaged
- m. Do not use the appliance for steam-cleaning electrical appliances or electric sockets
- n. Once the appliance is plugged in, do not work with wet hands or feet
- o. Do not immerse the appliance in any liquid
- p. The appliance is not to be used by children or persons with reduced physical, sensory or mental capabilities, or lack of experience and knowledge, unless they have been given supervision or instruction
- q. Do not use or store the appliance in a vertical position
- r. Do not steam-clean the appliance itself
- s. Do not leave the appliance unattended when it is connected to the mains or when the appliance is on
- t. Repairs must be carried out only by Vax technicians and by return of the product to Vax Service Centre
- u. The electric cable must be replaced only by the Vax service centre
- v. Do not vacuum explosive, toxic and inflammable substances (e.g. chimney ashes and soot) or substances that may be dangerous to your health
- w. Do not use the appliance to suck water from containers, sinks, baths, etc.
- x. Do not place the suction orifice near delicate parts of the body such as eyes, mouth and ears
- y. Do not put your hands close to the steam jet
- z. Do not point the steam jet towards people or animals
- aa. During use the appliance could overheat if covered

6 STARTING UP

6.1 Preparing the vacuum cleaner

The appliance is supplied and equipped with a microfibre filter (P) which is already assembled.

WARNING: For safety reasons, the handgrip (T) can be released only if the quick connector (24) is not inserted.

- ❏ Lift the safety cover (V) (picture 2)
- ❏ Attach the quick connector (24) of the hose by pressing the front button (25) into the steam socket (W) (picture 3)
- ❏ Make sure it is properly fastened: button 25 should return to its initial position; once in position it should click
- ❏ Plug the power cable (B) into an appropriate 240V socket provided with an earthing system
- ❏ Press the main switch (D); the pilot light (H) will come on



6.2 Starting up the boiler

CAUTION! When preparing the appliance for use, switch it off and unplug it.

WARNING: The appliance must be placed on a horizontal flat surface. We recommend using demineralized or distilled water to prevent lime scale deposit in the boiler. Do not add any type of detergent or chemical substance to the boiler tank water.

- ❏ Remove the boiler water tank cap (C) (picture 4)
- ❏ Fill the boiler tank (max 1.2 litres) with water using the recharging

- ❏ automatic valve bottle (19a) (picture 5) which stops the water supply when the boiler water tank is completely filled. (picture 6)
- ❏ Put on the boiler water tank cap (C)



6.3 Replacing the filter

- ❏ Press the two buttons (U) located besides the handgrip (T) down completely (picture 7)
- ❏ Lift up the handgrip (T)
- ❏ Lift up the handle (N) and remove the machine tank (M) (picture 8)
- ❏ Turn the machine tank handle (N) over and pull the filter assembly with float (O) up/forward (picture 9)
- ❏ Replace the filter (P) or (Q)
- ❏ Fit the lower filter cover (S) completely (picture 10)
- ❏ Fit the solids filter (R) completely along with the curved ends (picture 11)
- ❏ Make sure the unit is properly assembled; check if the filter, lower filter cover and solids filter are completely and properly fitted
- ❏ Put back the filter assembly with float (O) in the tank (M)
- ❏ Keep the handgrip (T) lifted and reposition the machine tank (M) on to the appliance
- ❏ Lower the handgrip (T)
- ❏ Close the handgrip (T) by pressing downwards and making sure that the buttons (U) return to their initial position properly. Once in position it should click

WARNING: Make sure that the microfibre filter (P) or the sponge filter (Q) are properly fitted between upper filter holder and lower

filter cover, and that the solid filter (R) is placed correctly. If not, the handgrip (T) cannot be hooked safely.



picture 7



picture 8



picture 9



picture 10



picture 11

7 OPERATION

7.1 Using the appliance as a vacuum cleaner

To select the suction power (from level 1 to level 4), press the remote suction button (27) on the handgrip (23) at short intervals; the selected suction power level LED indicator (28) will light up. (Pictures 12-13)

It is possible to change the power level both when the suction is on and off.

To switch the vacuum on and off, hold down the remote suction button (27) for about two seconds. If the quick connector (24) is pulled out, the suction power level will restart from level 1 the next time the appliance is used.

CAUTION! Never vacuum if the microfibre filter (P) is not installed.



picture 12



picture 13

7.2 Vacuuming with water filter

For best filtration results, add water to the machine tank (M). The water filtration allows you to capture the dirt so that the outbound air always remains clean and therefore you clean more effectively. Proceed as in chapter 6.1 Preparing the vacuum cleaner+ then replace the microfibre filter (P) with the sponge filter (Q) (chapter 6.3 Replacing the filter+) (picture 14). Add one litre of normal tap water to the tank until you reach the MAX level shown on the tank (picture 15).

CAUTION! Do not put detergents or inflammable substances in the tank. Never vacuum if the sponge filter (Q) is not installed.

You can add Aroma to the machine tank. This prevents bad odours or smell from the tank. Use the product according to the instructions for use shown on the label.



picture 14



picture 15

7.3 Using the appliance as a steam cleaner

Please refer to the chapter 6.2 Starting up the boiler+before use. Press the main switch (D) and the boiler switch (E), the respective pilot lights (H) and (I) will come on. Water will start heating up and steam will then be produced (picture 16). Pre-select the amount of steam using the knob (J) located on the appliance.

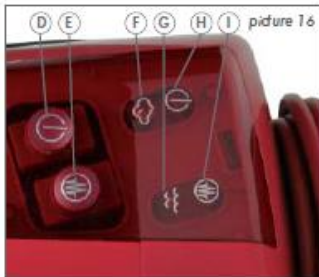
The gauge (K) indicates the pressure inside the boiler: the grey/silver area indicates the ideal pressure for use (picture 17). When the pilot light (F) comes on, the appliance will be ready to function with steam. Now press the lever (26) on the handgrip (23). The first amount of steam will come out with water condensation; direct the jet to one side or onto a cloth.

The handgrip (23) has a safety lock (23) which prevents steam from accidentally escaping:

left lock: the lever is free

right lock: the lever is locked

Note: To obtain the correct volume of steam, wait 3-4 minutes for the water to heat up.



7.4 Using steam and suction simultaneously

Please refer to the chapter 6.2 Starting up the boiler+before use. To steam and vacuum simultaneously: it is possible to use the above-mentioned steam-cleaning functions together.

When work is finished, release the steam lever (26) a few moments prior to switching off the suction motor (button 27). This will allow the suction ducts to recover the humidity.

Note: Whilst you are working, it is normal to occasionally hear the pump as it pumps in the water. Be careful not to confuse this noise with audible warning signal (beep) made when the boiler water tank is empty.



8 USING THE ACCESSORIES

The attachments can be directly connected to the handgrip (23) or, depending on your needs, to the extension tubes (2)

- “ Fitting the attachments: fit completely until the lower hooking lever (30) is hooked
- “ Disconnecting the attachments: press and release the lower hooking lever (30) and pull out the attachment

CAUTION! Make sure it is properly fastened by pulling it slightly.

CAUTION! Never separate the attachments when steam is coming out; you could burn yourself.

BIG BRUSH (3)

The big brush is provided with an articulated connection, wheels, steam diffuser and a suction unit. Three different fittings can be attached to it:

- “ **carpet fitting** (4)
- “ **floor fitting** (5)
- “ **liquid fitting** (6)

To assemble the fitting:

- “ Move the top slides outwards (*picture 19*)
- “ Turn the big brush (3) upside down
- “ Fit the required fitting and make sure it is properly oriented (the wide part must face forward) (*picture 20*)
- “ Fasten the fitting by moving the two top slides inwards (*picture 21*)



WINDOW WIPER (13)

CAUTION! Excessive temperature differences between the glass window and the steam can break the window.

With extreme outside temperatures, preheat the window with steam at a distance of about 30-50 cm.

Then spray the steam all over the surface of the glass to compensate the temperature differences and to avoid stressing the glass surface.



USE

- “ Use the window wiper to wipe the surface starting from the top downwards
- “ Slightly press the window wiper sponge against window to remove dirt
- “ To dry, vacuum the surface by putting the window wiper rubber squeegee against it
- “ For slightly dirty surfaces, use both steam and vacuum at the same time

WARNING:

To avoid dripping, complete the steam delivery and continue to vacuum for a few moments in order to allow the vacuumed liquid to go up the suction ducts.

After each cleaning operation, clean the window wiper rubber strip with a clean cloth. Proper window cleaning, with no lines, will be guaranteed only if a clean and outstretched strip is used.

SMALL BRUSH (14)

The small brush has a steam diffuser and a suction nozzle. Two different fittings can be installed on it:

- **Small wiper attachment** (15)
- **Bristled attachment** (16)

The attachments can be fixed onto the small brush (14).

To disconnect the attachment from the brush, press the front part of the brush (push were indicated), using your thumb to release the hooking teeth of the attachment (pictures 23-24).



EXTENSION + SPRAY (7), SMALL NOZZLE BRUSH (8), SUCTION ATTACHMENTS (9-10-12)

The spray has a concentrated steam diffuser (picture 26).

The following attachments can be used (pressure connection):

- **Small nozzle brush** (8), to be pressure-fastened onto the extension + spray (7), for cleaning incrustations, cracks, etc. (picture 27)
- **Crevice** (9), for vacuuming hard-to-reach spots such as corners, sofa creases, etc. (picture 28)
- **Swivel brush** (10), with natural bristles to be pressure-fastened onto the extension + spray (7), for vacuuming and cleaning more effectively (picture 29)
- **Radiator attachment** (12) used specifically for vacuuming dust inside radiators, is to be used with the crevice (9) (picture 30)



UPHOLSTERY NOZZLE (11)

The small brush has a steam diffuser and a suction nozzle.



FILTERS

The appliance is supplied with the following filters:

- “ **Solids filter (R):** this filter performs an initial filtration of deposits and material of considerable size. The curved pieces located at the ends can be removed for easy cleaning. Check and wash with running water. Reinstall the curves by applying pressure to fastened them to the special rib and housing (picture 32)



- “ **Microfibre filter (P):** This filter has a high filtering capacity and allows you to vacuum up dust effectively. It is convenient function for quick job as the dust remaining in the machine tank (M) is not in contact with the water and therefore does not need to be rinsed out immediately after use. To remove it, wash from the inside out under running water then leave it to dry before reassembling the filter group (picture 33)

IMPORTANT: The microfibre filter (P) should not be used during the vacuuming with water filter.



- “ **Sponge filter (Q):** The Sponge filter (Q) is to be used for vacuuming dust, vapour and liquids with the water filter for more thorough cleaning. Wash with running water from the inside out and



Air filter (X): this filter has a high filtering capacity and can filter fine dust, thereby ensuring clean air coming out of the appliance. Check it periodically by lifting the hooker lever (picture 35)

- “ **Carbon filter (Y):** this filter has a high filtering capacity for carbon dust which blocks the motor. Check it monthly by removing the containment screen and, if necessary, replace it when dirty

CAUTION! Handle with care - Do not inhale - Keep out of reach of children

- “ **Water filter** employs the natural purifying strength of tap water to catch the dirt, avoiding irritating contact with dust and harmful dispersion of dust into the environment



9 SUGGESTIONS

9.1 Steam cleaning suggestions

When initiating cleaning, or after having a long break, you should direct the first steam jet to one side in order to eliminate possible water residues from the steam hose; especially when cleaning the textile surfaces (carpets, rugs and sofas).

Always test a hidden spot of the surface to be cleaned. Let it dry and then check to see if the surface can withstand the heat.

Clean extremely dirty surfaces slowly in order to vacuum the dirt off with the steam.

Adjust the amount of steam with the knob (J): turn anticlockwise to increase the amount of steam; turn clockwise to reduce it.

• = minimum steam for delicate surfaces, upholstery, furniture, glass
 .. = intermediate steam for maintenance cleaning and textile surfaces

... = maximum steam for thorough cleaning, disinfecting and greasy surfaces



USAGE TABLE

The following table describes, depending on the surface to be cleaned, the amount of steam, the attachment and the method to be used:

Surface to be cleaned	Amount of steam	Attachment to be used	Cleaning method
LARGE SURFACES Parquet floor, wood, linoleum Marble, stone, ceramic	1 • 2 ••	Big Brush (3) + fitting for liquids (6) Big Brush (3) + fitting for liquids (6)	Tough grime: use fitting with bristle before steam-cleaning and vacuuming Normal surfaces: use fitting for liquids before steam-cleaning and vacuuming
SMALL SURFACES Gaps, corners Floor grouting Taps, sanitary, fixtures	2 •• 3 ••• 3 •••	Spray (7) + crevice (9) Spray (7) + crevice (9) Spray (7) + crevice (9)	Use bristles for tough grime Steam clean and then vacuum
WINDOW OR DOOR FRAMES Skirting board, window or door frames Shutters, blinds	1 • 2 ••	Spray (7) or small brush (14) Spray (7) or small brush (14)	Use crevice for small brush, depending on how big the surface is Tough grime: use bristles. Smooth surfaces: use squeegee

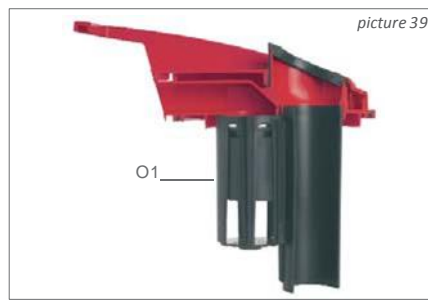
UPHOLSTERY MADE OF FABRIC Carpet Rugs Furniture, padding Sofas	2 ●● 2 ●● 2 ●● 2 ●●	Turbo brush (11) or Big brush (3) + carpet fitting (4) Big brush (3) + carpet fitting (4) Small brush (14) + small wiper attachment (15) Small brush (14) + small wiper attachment (15)	First vacuum to remove the dust from the fabric. Deliver the steam + suction. Direct the first steam jet aside to avoid wetting the fabric
GLASS Large surfaces Small surfaces	1 ● 1 ●	Window wiper (13) Small brush (14) + small wiper (15)	Use nozzle with squeegee or windows wiper, depending on how big the surface is
FURNITURE Delicate furniture (e.g. varnished) Plastic-coated furniture (e.g. kitchen furniture)	1 ● 2 ●●	Small brush (14) + small wiper (15) or bristled attachment (16) Small brush (14) + small wiper (15) or bristled attachment (16)	Delicate surfaces: put a cotton cloth in between. Smooth surfaces: bristled attachment (16)

9.2 Vacuum suggestions

CAUTION!

- ⚠ Do not vacuum explosive, toxic or inflammable substances (e.g. chimney ashes and soot) or substances that may be dangerous to your health
- ⚠ Do not use the appliance to suck liquids from containers, sinks, baths etc.
- ⚠ Do not vacuum foam
- ⚠ If foam builds up inside the machine tank, switch off the appliance immediately and empty the machine tank (M)

- ⚠ When vacuuming liquids on the surfaces, do not exceed the double Max level inside the machine tank (M)
- ⚠ When using the water filtration, replace water when it starts to look cloudy
- ⚠ The appliance is supplied with a safety float (O1), which will come into operation if the maximum allowed level of liquid is exceeded inside the tank (picture 39). In this case, the appliance will not suck in and, at the same time, you will hear the motor revolutions increase. If this occurs, switch off the appliance and empty the machine tank (M)



picture 39

10 EMPTYING THE MACHINE TANK

WARNING: Empty the machine tank (M) every time you finish using it.

CAUTION! Before removing the tank, switch off the appliance and unplug it.

- ☞ Completely press the two buttons (U) located besides the handgrip (T) (picture 48)
- ☞ Lift up the handgrip (T)
- ☞ Lift up the handle (N) and remove the machine tank (M)(pictures 49-50)



- ☞ Turn the handle (N) over and pull the filter assembly (O) up/forward (picture 51)
- ☞ Check the solids filter (R) and remove any deposits. If steam or liquids have been vacuumed or of filtration water has been used, rinse the internal part of the tank as well as the filter assembly components with running water.
- ☞ Check and eventually clean the microfibre filter (P)/ sponge filter (Q) with running water from the inside out; let it dry before reassembling the filter assembly.
- ☞ To make for easier cleaning of the internal part of the tank, regularly remove the internal baffle (Z) (picture 52): carefully unlock both ends of the internal baffle (Z), see picture. To put it back, wedge the baffle onto the edge of the tank by hooking the ends.



11 TOPPING UP THE BOILER WATER TANK WITH WATER



The boiler water tank (L) supplies the boiler through an electronic level control; since this is an external tank, it can be topped up any time.

☞ **When water runs out in the boiler water tank:**

1. the appliance beeps intermittently
2. the no-water level pilot light (G) flashes
3. the steam stops coming out



To top up, proceed as follows:

- ☞ Switch off the boiler switch (E) 
- ☞ Turn off the main switch (D) 
- ☞ Remove the cable from the socket
- ☞ Remove the boiler water tank cap (C)
- ☞ Fill the boiler water tank (L) (picture 53)
- ☞ Put on the boiler water tank cap (C)



12 AFTER USE

Every time you finish working with the appliance, switch it off, unplug it and wind the electric cable into its cable rewinder (A).

Empty the machine water tank (M) every time you finish using it (see section 1. EMPTYING THE MACHINE TANK).

Let the appliance and the utensils cool down before putting them away.

13 MAINTENANCE

- ✔ Clean the outside of the appliance with a damp cloth. Do not use solvents or detergents.
- ✔ Do not use solvents as could damage the plastic parts of the appliance. Do not steam-clean the appliance.
- ✔ Empty the machine tank every time you finish using it (see section 1. EMPTYING THE MACHINE TANK).
- ✔ Only use water to clean the attachments.
- ✔ When using the appliance with combined functions, i.e. steam and vacuum cleaning, wet dirt can jam and get stuck inside the pipes or hose, extension tubes and accessories. This dirt may generate bad odours, can make the fitting of the accessories very difficult and could reduce the performance of the appliance. To eliminate dirty residues from the inside of the attachments (extension tubes or brushes), wash the vacuum ducts with warm running water, and remove any residues with the cleaning tool.

CAUTION! Do not wash or immerse the hose (1) in water or any other liquid.

- ✔ For a thorough cleaning of the hose empty the machine tank, fit the extension + spray attachment (7) and suck one liter of fresh water through the hose into the machine tank.
- ✔ To prevent the brushes from becoming misshapen, leave the clean brushes to dry with the bristles facing upwards.
- ✔ The appliance is supplied with a kit of spare seals. Periodically, check if the seals worn out and, if necessary, replace them.

REPLACEMENT OF FILTERS:

Micro-fiber filter:	best to replace every 6 months
Sponge filter:	best to replace every 6 months
Air-filter:	best to replace every year
Motor-carbon filter:	best to replace every year

14 TROUBLESHOOTING

CAUTION! Repairs should only be carried out only by the Vax Service Centre.

Breakdowns may occur when the appliance is not used properly. The following table describes a few problems and explains how to solve them. If our solutions do not help, call the Vax Service Centre.

TROUBLE	CAUSE	SOLUTION
- After switching on, the no-water pilot light flashes and the appliance is beeping	- Low water level in the boiler tank	- Fill the boiler tank with water using the recharging automatic valve bottle
- The appliance is ready for use but there is no suction or no steam	- The quick connector of the flex tube is not fitted properly	- Make sure that the quick connector (24) is hooked properly into the socket
- The steam-ready pilot light is on but no steam is coming out	- The steam safety lock (29) is on	- Release the safety lock
	- The steam adjustment knob (J) is in the closed position	- Turn the steam adjustment knob (J) to open position
- When working, an attachment falls off	- The attachment has not been connected properly	- Connect the attachment safely
- When working, the suction power drops	- The attachment is clogged	- Check and clean the attachment
- The suction power is too low	- One of the filters is clogged	- Check and clean solids filter (R), microfibre filter (P) or sponge filter (Q), air filter (X) and carbon filter (Y)
	- Wrong filter assembly	- Make sure that the filter assembly (O) is completely assembled with lower filter cover (S) and solids filter (R)
	- Air bypass	- Make sure that the machine tank (M), the filter assembly (O), the flex tube (1) and the quick connector (24) are positioned correctly
- The suction motor is working but there is no suction	- The float has come in operation	- Empty the machine tank
- The handgrip buttons do not hold the handle safely	- Wrong assembly or position of filter assembly(O)	- Check the assembly, make sure that microfibre or sponge filter are properly inserted
- Malodorous smell from hose tube or attachment	- Wet dirt remnants in hose tube	- Clean the parts according to "Maintenance" in use instructions

16 DISPOSAL

Disposal should take place without detriment to the environment. The appliance and attachments are mostly made of plastic. When the appliance or attachments no longer work, they must be disposed of.

WARNING:

As owner of an electrical or electronic product, you are not allowed by law (according to EU-Directive 2002/96/EC of 27 January 2003 on waste electrical and electronic equipment and the particular national laws of the EU- Member States transforming this Directive) to dispose of this product or its electrical/electronic accessories as unsorted domestic waste. You shall use the designated gratis possibilities for return instead.

17 APPLIANCE FEATURES

17.1 Rating plate

CAUTION! Make sure that the technical data shown on the rating plate correspond to the electric mains to which you want to connect the appliance.

17.2 Technical specifications

- ↗ Boiler Power: 1700 W
- ↗ Suction Motor power: 1200-1400 W
- ↗ Vapour Pressure: 4.5 bar
- ↗ Vapour Flow: 50 g/min
- ↗ Air Flow 51 l/sec (motor)
- ↗ Vacuum Pressure: 2400 mm H₂O (motor)
- ↗ Time of Heating: 1 min 50 ϕ

- ↗ Boiler Volume: 0.81 l
- ↗ Boiler capacity: 1,2 l
- ↗ Recovery tank volume: 8 l
- ↗ Power cable length: 4,5 m
- ↗ Flexible tube length (1): 2,2 m

17.3 Safety features:

- ↗ Process pressure switch
- ↗ Process thermostat
- ↗ Safety thermostat
- ↗ Boiler overpressure valve
- ↗ Low-voltage electric
- ↗ Controls on flex
- ↗ Safety Float

18 WARRANTY CONDITIONS

The manufacturer shall not be held liable for damage to persons or things caused by any installation which does not comply with the instructions in the user guide or misuse of the appliance.

All our machines are subjected to strict tests and are covered against manufacturing with a 12 months warranty. The warranty runs from the date of purchase. The purchasing date shall be that indicated on the receipt issued when the dealer/distributor delivers the machine.

The manufacturer undertakes to repair free of charge those parts showing manufacturing defects within the warranty period, or to replace these free of charge. Defects not clearly attributable to materials or manufacture may be examined by Vax and shall be charged according to the outcome of the examination.

The warranty will not cover:

- É Cleaning and repair of machine and accessories caused by development of lime scale deposits
- É Accidental damage caused by transport, neglect or inadequate care
- É Incorrect or improper use and installation
- É Failing to comply with the indications in the instruction manual user guide
- É Causes that do not depend on normal operation or use of the machine.

The warranty becomes void when the machine has been repaired or handled by unauthorised third parties. The warranty shall not cover replacement of the machine or extension of the guarantee resulting from a breakdown. Repairs shall be carried out by Vax

The machine shall reach us carriage free, i.e. With transport expenses at the user's charge. The warranty shall not cover any cleaning operations to which the operative components may be subjected. The manufacturer declines all responsibility for damage to persons or property caused by bad installation or incorrect use of the machine.

**Vax Commercial
Kingswood Road
Hampton Lovett
Droitwich
Worcestershire
WR9 0QH, UK**

info@vaxcommercial.co.uk

[**vaxcommercial.co.uk**](http://vaxcommercial.co.uk)