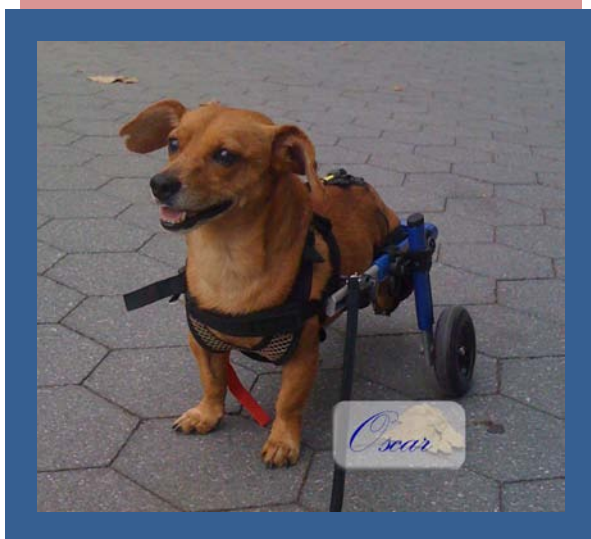




Walkin' Wheels™ for Handicapped Pets

User Manual – Walkin' Wheels® “Mini”



Walkin' Wheels® is a registered trademark of
Wheels for Pets, LLC
US Patent 7,549,398. European Patent 2050418

Manual Revision August 2012

THANK YOU FOR PURCHASING WALKIN' WHEELS® MINI PLEASE CALL US IF YOU HAVE QUESTIONS. YOU MAY CALL (603) 577-8854 OR EMAIL US AT MESSAGES@HANDICAPPEDPETS.COM.

PARTS OF THE WALKIN' WHEELS® MINI 4

QUICK START 5

CLIP THE LEG RINGS TO THE CART 5

PUT THE FRONT HARNESS ON YOUR PET..... 6

 PUT THE DOG IN THE CART. 6

FINAL ADJUSTMENTS 7

GETTING STARTED – IMPORTANT TIPS 8

 WALKING BACKWARDS 8

 BE CALM 9

 GO IN STAGES 9

 KEEP IN CONTROL..... 9

 SHORT TRIPS 9

 PROPER FIT 9

 DOING THEIR BUSINESS..... 9

ADJUSTING THE CART..... 10

 ADJUSTING THE HEIGHT 11

 ADJUSTING THE LENGTH..... 11

 ADJUSTING THE WIDTH..... 11

 ATTACHING THE FRONT HARNESS..... 12

 REAR SUPPORT: LEG RINGS OR THE REAR HARNESS 13

 OPTIONAL WALKIN' LIFT HARNESS (SOLD SEPARATELY). 15

 CUSTOMIZING THE WALKIN' LIFT HARNESS..... 16

ATTACH FRONT HARNESS TO CART..... 16

ATTACH THE REAR HARNESS TO THE CART 16

 CUTTING EXCESS STRAP 17

ATTACHING STIRRUPS (FOOT STRAPS) 17

BELLY BELT, IF NEEDED (INCLUDED) 18

HOW TO TELL IF THE CART IS ADJUSTED PROPERLY 20

LONG LEG/SHORT LEG ADJUSTMENT 21

WEAR, MAINTENANCE, LIABILITY AND GUARANTEE..... 23

 MAINTENANCE..... 23

 LIMITED LIABILITY..... 24

 GUARANTEE 24

 RETURN POLICY..... 24

Parts of the Walkin' Wheels® Mini



A - The Aluminum Wheelchair Frame with the Leg Rings Installed

B - 4" Foam Tires (8" Tires available on request)

C - Front Harness with Comfort Sleeves. You may want to remove these while fitting your dog.

D - Stirrups, use of these is optional to keep the feet off the ground.

E - For wider dogs, an extra 6" width connector is provided.

F - "Cup" screws and Allen Key for stability of cart.

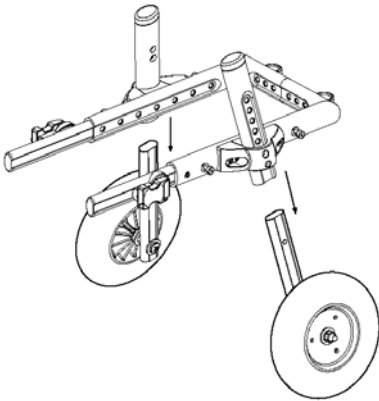
G - Belly Belt for mid support. The use of this is optional.

For additional replacement parts, see the website or call Handicappedpets.com 888-811-7387

Quick Start

Your Walkin' Wheels® Mini package contains everything you need to fit your small pet. In most cases, all you will need to do is clip in the wheel struts, clip in the rear leg rings, put the front harness on the dog and go!

If you need help, there are instructions on DVD, on the website, and of course we are always here to help!



Use the snap buttons to adjust the height, width, and length of the cart. You may need to use a pen or other sharp object to push the snap buttons

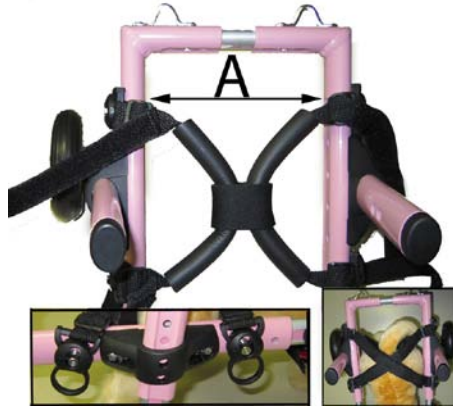


Clip the Leg Rings to the Cart

As shown on the following photo labeled “Rear Leg Attachment”, Leg ring straps clip **over** the frame. Finger locks point down. The legs go through the rubber tube loops. Rubber tubing may be cut back if needed to adjust for smaller animals. Make sure not to cut strapping material.

Inset Left – The clip’s finger loops point down.

Inset Right – Velcro stay-on straps cross over animal’s back. These can be removed or velcro’ed together to use as handles if desired. To remove the straps, you can cut the webbing and use a cigarette lighter to seal and prevent it from fraying.



Rear Leg Ring Attachment

Put the Front Harness on your pet



Red Strap goes under the dog and clips to other side of harness. Side clips face to the back. Top strap over the dog's back should be tight – other straps snug.

Put the dog in the cart.

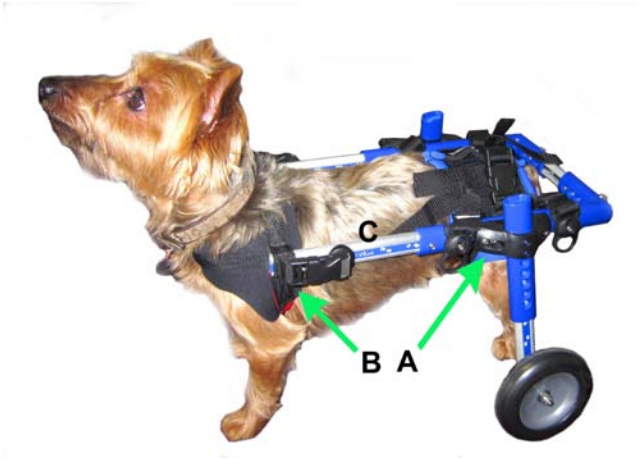
Method 1: - Clip the leg rings into the cart and lift dog's back legs into leg rings.

Method 2: - Pass rear harness straps under legs, pull up, lifting the animal and snap the clips over the frame

Clip the front harness to the side extender rails. Side rails go through the loops (or "D – Ring" in some models) before clipping in place.

Final Adjustments

- Knuckles (A) should be on the hips.
- Front clips (B) high on the shoulders. Back straight. Back toe pads just touching the ground or up in stirrups.
- Top bar (C) parallel to the ground. Leg rings flat and tight like a saddle.



Optional – Insert set screws (shown below) for stability.





Front harness attaches at the shoulder blade. Rear harness leg rings need to be pulled tightly across the side of the frame and create a saddle.

Getting Started – IMPORTANT TIPS

We created the Walkin' Wheels® with the intention that you will adjust the cart, put it on your pet, and in a few moments watch him or her running and playing again. It can happen that way, but it doesn't always. A wheelchair can be a major adjustment for an animal. On the one hand, the frustration of painfully dragging an immobile back end is suddenly gone. Freedom! On the other, there's a strange device following him around; sometimes making odd noises and getting caught on furniture and doorways. They will adapt to these changes, but need a little time.

Walking Backwards

Animals use their back legs to move and their front legs to stop. It is normal, therefore, for the dog or cat to push back on the front legs and move backwards. With encouragement, they quickly learn to move by pulling themselves forward with their front legs.

Be calm

Remain quiet and move slowly when putting on the cart for the first time. Lots of stroking and reassurance is needed here. Treats help, too.

Go in Stages

Let the pet get used to the harnesses before attaching it to the cart.

Keep in control

Remain in control of the animal's movements. Keep him or her in a clear area at first and on a short leash. If the animal becomes frightened, then disconnect the harness from the cart and try again later.

Short Trips

Until your pet gets used to the Walkin' Wheels, limit the amount of time spent in it. The Walkin' Wheels is designed to allow your dog to get exercise and physical therapy. Animals cannot lie down in the cart.

Proper Fit

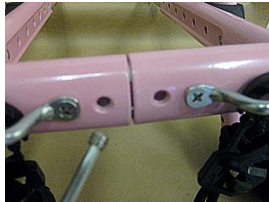
If you are unsure whether the cart is fitting properly, please email photos to messages@handicappedpets.com and we will review the fit.

Doing their Business

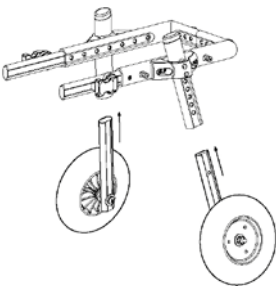
Pets are able to urinate and defecate while in the cart.

Adjusting the Cart

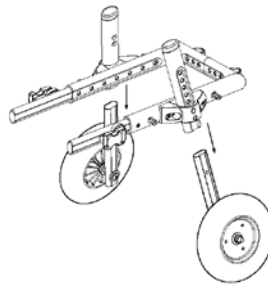
The black plastic pieces that connect the Blue or Pink Legs to the **Cart Frame** are called **Knuckles**. The **Wheel Struts**, silver with wheels attached, fit up inside the legs and snap into place with the **Snap Buttons**. Once you know the correct position, the **Cup Screws** can be inserted with the Allen wrench to tighten up the cart.



As shipped, your cart will fit most sizes of pets. However, there is an additional adjustment that can be made to further increase the height. The legs can be in the **LONG LEGS** or **SHORT LEGS** position. Carts are typically shipped with the wheels in the **SHORT LEGS** position. A Phillips head screwdriver is needed to make this adjustment.



Legs in the **LONG LEGS** position for longer legs.



Legs in the **SHORT LEGS** position for shorter legs.

* See the section titled **LONG/SHORT ADJUSTMENT** or watch the video on our website for complete instructions.

Adjusting the height

The correct height setting is based on the condition of the dog. If the dog has some use of his back legs, then set the height so the toe pads are on the ground.

If the paws are scraping on the ground, protect them with boots.

If the legs are paralyzed, use the stirrups to hold them two to three inches above the ground. Typically, if you use the stirrups, you will need to put both legs in, even if one leg is stronger, so that the dog maintains balance. The stirrup should be placed above the dog's hock and adjusted snug by using the push-lock.

When taking the dog out of the cart, always remember to take the feet out of the stirrups **FIRST**.

Adjusting the Length.



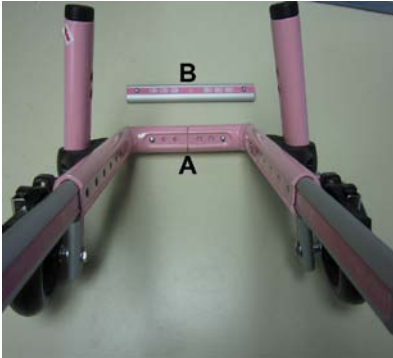
Adjust the length extender so that the D-Ring on the **Front Harness** is at the shoulder blade of the dog. The cart will connect to the harness right above the front leg. The extenders should not go past the front leg.

Adjusting the width

Use the snap buttons on the *width connector* to adjust the cart to the proper width. There should be about $\frac{1}{2}$ inch of space on either side of the animal at the hips. The cart comes with the small width connector installed. For wider

pets, 6-8", remove the small width connector and insert the 6" width connector.

The width connector shown below is the 'small' connector shown at its smallest position (thinnest). The larger width connector, when installed, does not allow the cart to close all the way.



Short width connector (A) installed – wheelchair at its thinnest position.

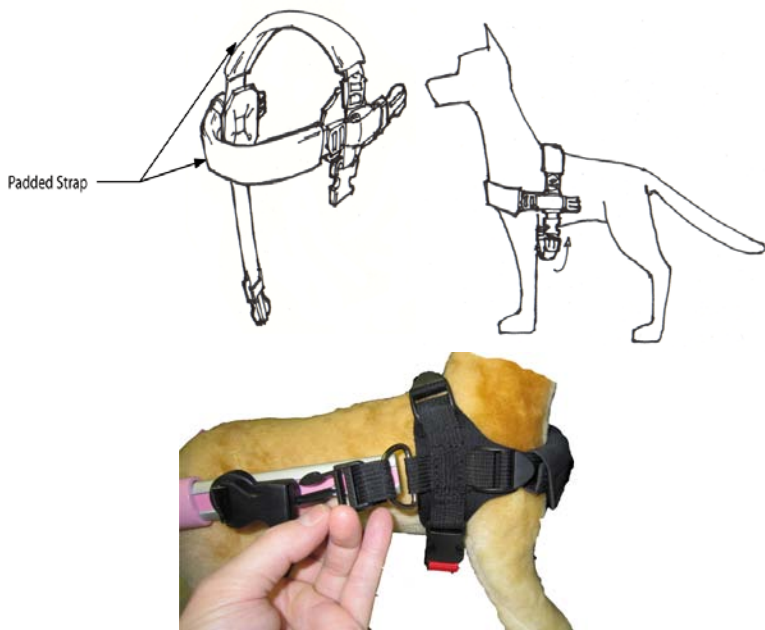


Short width connector (A) installed – wheelchair at its widest position. If your pet is wider than 6.5", remove connector (A) and insert connector (B)

Attaching the Front Harness

The RED strap goes under the dog, in the back of the front legs. For convenience, you may remove the comfort sleeves while fitting the dog. Comfort sleeves may be cut in half for smaller dogs. Excess strapping will be tucked in.

Place the black straps over the head, then buckle the red strap underneath the dog and clip into the front harness. Typically, the top strap is fairly tight and the other two are just snug. The clip should be positioned just over the shoulder blade.



Rear Support: Leg Rings or the Rear Harness

Two types of rear harnessing systems are available; the Leg Rings (included) and the Optional (Needs to be purchased separately) Walkin' Lift Cart Compatible Rear Harness Support System



Optional (Purchased Separately)
Walkin' Lift Cart Compatible
Rear Harness Support System

The Leg rings need to be tight to create a firm ‘seat’ for the dog. When the dog is in the leg rings, the black knuckle should be at the mid-hip level.



The rubber tubing of the leg rings can be shortened if necessary with scissors. Avoid cutting the strap inside.

Try cutting about an inch off all four ends of the rubber then adjusting the clips on the straps to tighten them up.



Velcro wrapper can be moved forward or back to avoid putting pressure on the dog’s genitals. In addition, the Velcro can be wrapped loosely so that there is a space between the rings. The Velcro **must** be used. Adjust for best comfort and fit.

The Lifting handles can be attached to the round harness clips for help lifting the dog when not in the cart. Use one or both handles based on your comfort and your pet's.

Optional Walkin' Lift Harness (sold separately).

To attach the Rear Harness to the animal, put the rear harness on the floor.

Put the animal's rear legs through the leg-holes. There is no Front or Back to the harness. Reinforcement strapping is on the bottom side.

Pull up the harness like a pair of shorts and Velcro the back-strap(s) to hold the harness on the dog. Back straps may be crossed.

The four plastic clips hanging at the side are for attaching the harness to the silver pegs on the cart. They can also be used to attach the optional lifting straps.



Customizing the Walkin' Lift harness

for comfort and elimination

The optional Walkin' Lift harness (purchased separately) is made of Neoprene so that it can be safely cut with scissors and adjusted to the animal's body. Remove the harness from the animal before cutting it and make sure not to cut the reinforcement strap material. Trim the harness so that the neoprene material avoids the animal's genitals, thus allowing the pet to urinate and defecate when in the cart.

Attach front harness to cart.

Slide harness around extension tube. There is a loop in the strap. Put the metal (side-rail) length extender tube through the loop. Clip the side buckles on each side to cart.



Attach the rear harness to the cart

Attach the four harness cart-clips to the silver pegs sticking out of the side of the cart and click the clips into place. To take the dog out of the cart, un-clip the cart clips by pulling down on the clip.



Unclip the cart clip

Position the animal with its hips lined up to the plastic knuckle section of the cart.

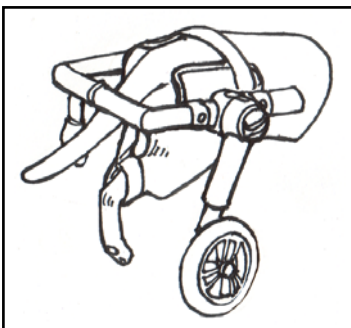
Loop the harness clip over the cart frame and lock it into the peg by pushing up (or the weight of the dog will do this) until you hear a click. To unlock, put your finger in the (4) round plastic loops and pull down.

Cutting Excess Strap

Note that the straps can be cut if there is excess. After cutting, you can seal the end of the strap by briefly touching it with the flame of a lighter. This will melt the end and keep it from fraying.



Attaching stirrups (foot straps)



If feet are dragging or knuckling under, use stirrups.

Place the animal's hind legs in the foot straps so that the foot rests well above the ground and tighten to a snug fit.

Belly Belt, if needed (included)

Some animals will need additional support under their belly. You can tell if they need additional support if the dog's spine bows downward, or if dog is elderly or overweight.

To put the belly belt on the cart you can either

A - Place the side rail through the looped opening in the strap, or

B - Undo the tri-clip and loop the strap over the siderail, then feed the strap back through the clip.

The purpose of the rope is to prevent the belly belt from sliding backwards toward the rear of the dog.



Loop strap inside side rail



Clip and secure with rope to keep the belt from sliding back.



Your Belly Belt is equipped with Velcro (photo above) on one side. Loop the strap over the railing and attach the Velcro under the dog's belly. A rubber band can be used to secure excess strap if needed.

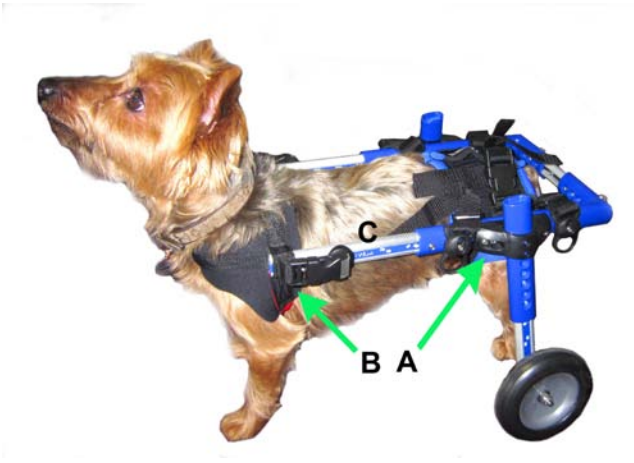
How to tell if the Cart is adjusted properly

When the cart is adjusted properly, the animal stands in a 'natural' position. Here's what to check..

Knuckles (A) should be on the hips.

Front clips (B) high on the shoulders. Back straight. Back toes just touching the ground or up in stirrups.

Top bar (C) parallel to the ground. Leg rings flat and tight like a saddle.



Front Support loop at the shoulder. The loop (or D-Ring on some Models) on the front harness that the length extender goes through should be at the shoulder. Adjust the straps so that the loop is held firmly against the shoulder. Then clip into cart. If the loop is too tight, it will loosen up over time.

The pet's back needs to be straight or arched UP a little. If the back dips down in the middle, then use the belly belt to support the back.

The back paws/toes need to be just touching, or just off the ground, depending on the health of the back legs. If the animal wants to use his back legs, then allow his paws to touch lightly. This can be adjusted by tightening the leg rings – this brings the dog's seat up. (Take the dog out of the harness before adjusting.) Adjust the height using the push buttons. Consider boots if the feet drag or knuckle under. Use the stirrups if the dog cannot use his back legs or the feet are dragging on the ground.

The horizontal side extender needs to be parallel to the ground.

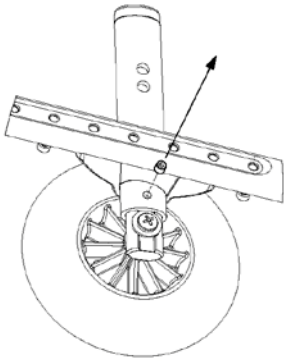
Long Leg/Short Leg Adjustment

A short video is available on DVD or on the website that shows you how to adjust the height from the "short Leg" position to the "Long Leg" position.

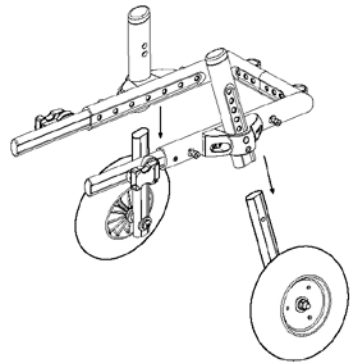
To change the position, (1) remove the cup screw and the wheel strut. (2) remove the knuckle with Phillips screwdriver keeping the screws and washers in place. (3) reposition the leg on higher or lower setting. (4) Align the knuckle and re-tighten the screws in the knuckle.

1 – Remove the Wheel Strut

If you have already inserted and tighten the Locking Cup Screw, using the Allen key provided with the cart, loosen the leg locking screws. Press the **Snap Button** with your fingertip, pen, or sharp object and remove the Wheel Struts from the cart.



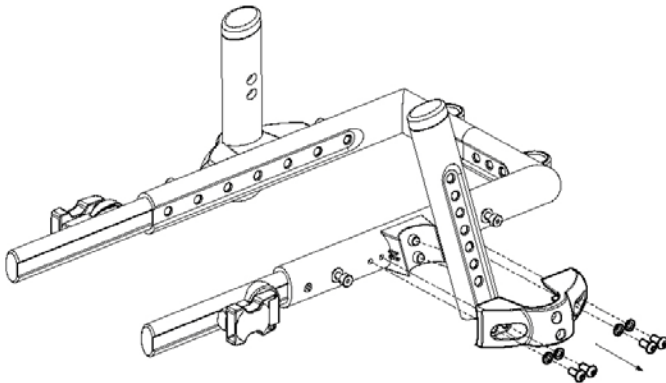
Remove the locking cup screw, if used



Remove the wheel struts

2 - Remove the outer plastic knuckle and leg

Using a Phillips head screwdriver loosen the 4 screws and washers that secure the outside plastic knuckle. Gently lift off the plastic knuckle and leg will be loose. Make note of which side is the TOP of the two plastic parts. Also, do one side at a time. There is a difference between the left and right knuckles (they are labeled).



3 – Reposition the leg.

4 - Replace the outer plastic knuckle over the leg and tighten the screws.

Repeat for the other side and re-insert the leg struts.

Troubleshooting:

The knuckle pieces fit together without force.

There is a left and right specific knuckle. If your parts do not fit easily, check that you have the correct left or right part.

Each part is labeled on the inside with an R or L.

Wear, Maintenance, Liability and Guarantee

Maintenance

With proper use and maintenance, the cart is designed to last a lifetime. The wheels will wear out, but are easily replaced. If you need replacement parts, they may be purchased on the website. In addition, the stickers on the side may fade or develop scratches, but this will not detract from the usefulness or resale value of the cart. The cart will not rust, you can hose it off. If dirt or sand gets inside the cart, all components can be removed and cleaned. Oiling is not necessary.

Limited Liability

Walkin' Wheels® is provided as a walking aid for animals that are under the care of a veterinarian and for which a dog wheelchair has been recommended. Wheels for Pets, LLC, and its affiliates, agents, and distributors make no representation as to the effectiveness or appropriateness of this product.

Guarantee

Walkin' Wheels® is guaranteed by the manufacturer, Wheels for Pets, LLC, for five years from the date of purchase against defects in materials or workmanship. Should your cart need service, please contact your dealer to arrange a return. You will be asked to ship the cart back to be serviced, repaired, or replaced, at the manufacturer's option. All shipping charges are the responsibility of the cart owner.

Return Policy

Please see the website for the return policy. **Note that all returns must be authorized.** Please contact your dealer.

