



Electric Vehicles



Owner's Manual and Service Guide

K-Series Standard: AK-48-2-STD-2TB, -BC, -EB, -IB, -SB, -UB

K-Series Long: AK-48-2-LONG-2TB, -BC, -EB, -IB, -SB, -UB

November 2014

Thanks for buying our electric vehicle. For better use, please read through this manual before operating this vehicle to avoid any possible damage due to improper operation. Keep the manual handy after reading for future reference.

Important Information:

Important information is showed in following way in this manual:

WARNING: Failure to follow Warning instructions could result in severe injury or death to the vehicle occupants, bystanders or persons inspecting or repairing the vehicle.

CAUTION: Failure to follow Caution instructions could cause damage to the vehicle.

Note: Remove the seat and backrest wrapping film to prevent seat vinyl fading. If you have to stock the vehicle for long time, also remove the seat and backrest wrapping film.

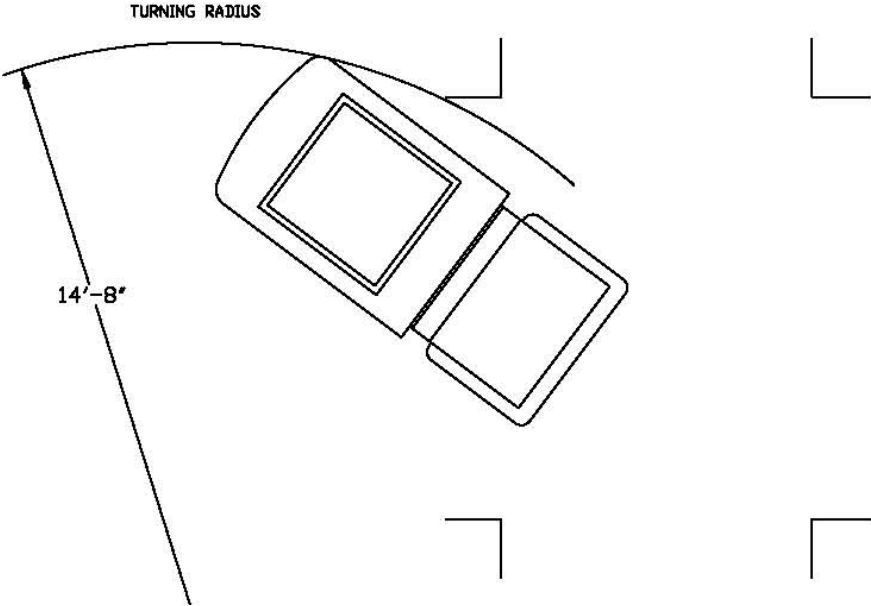
Table of Contents

Vehicle Specifications	3
Operation	
Important Labels	9
Functions	10
Operational Process	12
Charging Batteries	13
Safety	14
Maintenance	
Battery	15
<i>Cleaning</i>	15
<i>Recharging</i>	15
<i>Watering</i>	16
<i>Specific Gravity Test</i>	17
<i>Open-Circuit Voltage Test</i>	19
<i>Installation</i>	20
Gear Box	20
Traction/Motor	21
<i>Troubleshooting</i>	21
Speed Controller	22
Brake System	22
Lubrication	22
General Maintenance Notes	23
Periodical Maintenance	23
Storage	26
Troubleshooting	27
Electrical wiring	32

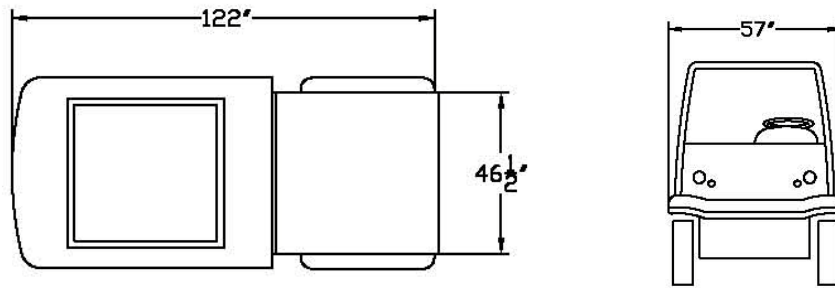
Vehicle Specifications

	K-Series Standard	K-Series Long
Passengers	2	2
Battery group	8 x 6V (48V), Trojan T-105 included	8 x 6V (48V), Trojan T-105 included
Motor	6.8 HP AC	6.8 HP AC
Controller power	450A Curtis 1238	400A Curtis 1238
Maximum speed (mph)	19.5 (20-25 LSV)	19.5 (20-25 LSV)
Total load capacity (lbs)	990	1100
Cargo capacity (lbs)	660	800
Dimensions (in)	122 x 57 x 73.6	156 x 57 x 73.6
Weight (lbs)	1750 (no doors), 1900 (doors)	1910 (no doors), 2060 (doors)
Ground Clearance (in)	5	5
Turing Radius (ft)	14.7	19.8
Wheelbase (in)	88	120
Climbing capacity (loaded)	15%	15%
Front suspension	Independent, coil over shock	Independent, coil over shock
Rear suspension	Leaf spring and shock	Leaf spring and shock
Steering system	Rack and pinion	Rack and pinion
Brake system	4-wheel hydraulic drum brake	4-wheel hydraulic drum brake
Rear end gear ratio	12.49:1	12.49:1
Tire size	155R12, 6-ply, DOT	155R12, 6-ply, DOT
Tire Pressure (psi)	65	65
Wheel type	12 inch aluminum	12 inch aluminum
Towing capacity (lbs)	3000	4000

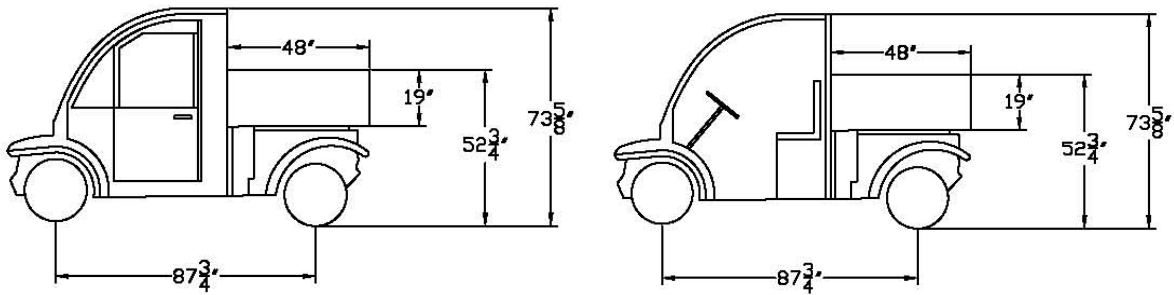
	<i>Box type</i>	<i>Dimensions (L x W x H, in.)</i>
K-Series Standard	Beverage cart (AK 48-2-STD-BC)	48 x 46.5 x 20
	Enclosed box (AK 48-2-STD-EB)	45 x 48 x 38
	Insulated box (AK 48-2-STD-IB)	48 x 48 x 38
	Stake box (AK 48-2-STD-SB)	46 x 46.5 x 19
	Two tool boxes (AK 48-2-STD-2TB)	48 x 46.5 x 18.5
	Utility Box (AK 48-2-STD-UB)	48 x 46.5 x 10.5
K-Series Long	Beverage cart (AK 48-2-LONG-BC)	74 x 46.5 x 19
	Enclosed box (AK 48-2-LONG-EB)	70.5 x 48 x 38
	Insulated box (AK 48-2-LONG-IB)	70.5 x 48 x 38
	Stake box (AK 48-2-LONG-SB)	79 x 46.5 x 19
	Two tool boxes (AK 48-2-LONG-2TB)	74 x 47 x 18.5
	Utility Box (AK 48-2-LONG-UB)	79 x 46.5 x 10



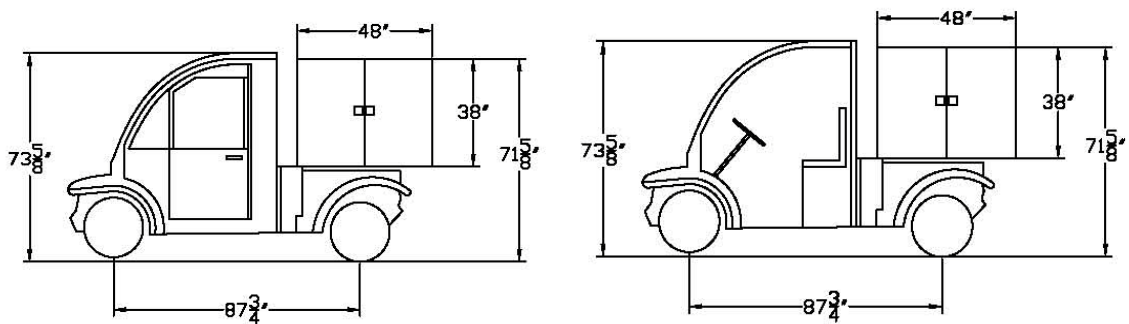
K-Series Standard



K-Series Standard

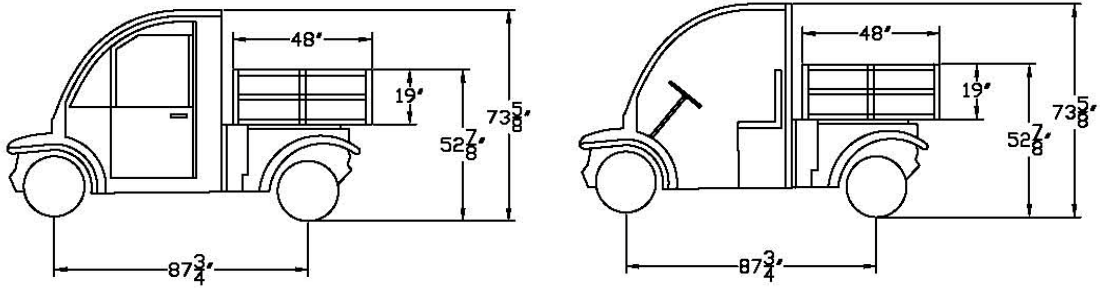


Beverage cart attachment (AK 48-2-STD-BC and AK 48-2-STD-BC-OPEN)

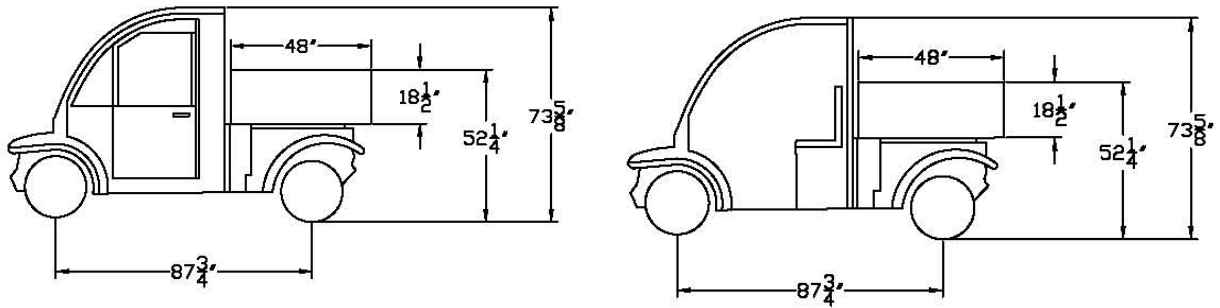


Enclosed box (AK 48-2-STD-EB and AK 48-2-STD-EB-OPEN)

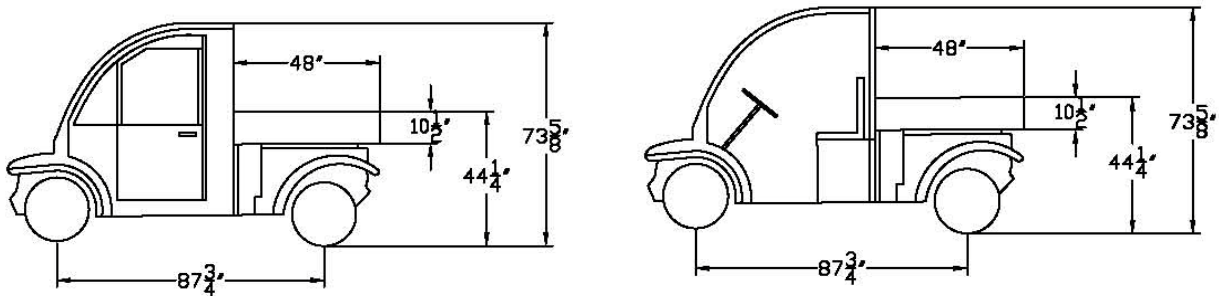
Insulated box (AK 48-2-STD-IB and AK 48-2-STD-IB-OPEN)



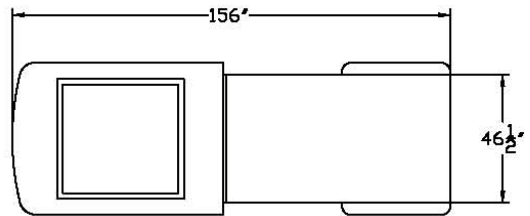
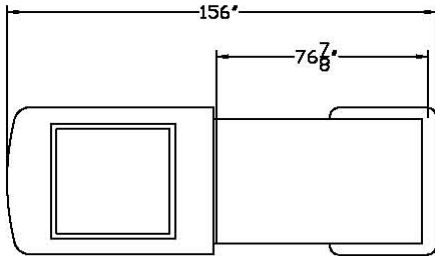
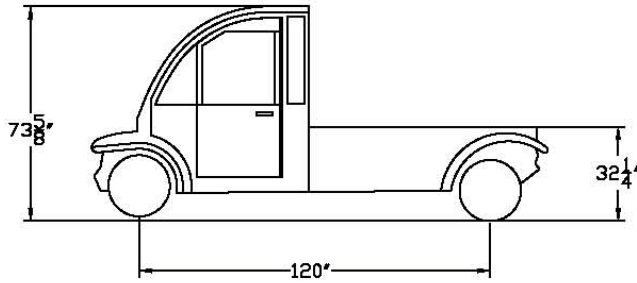
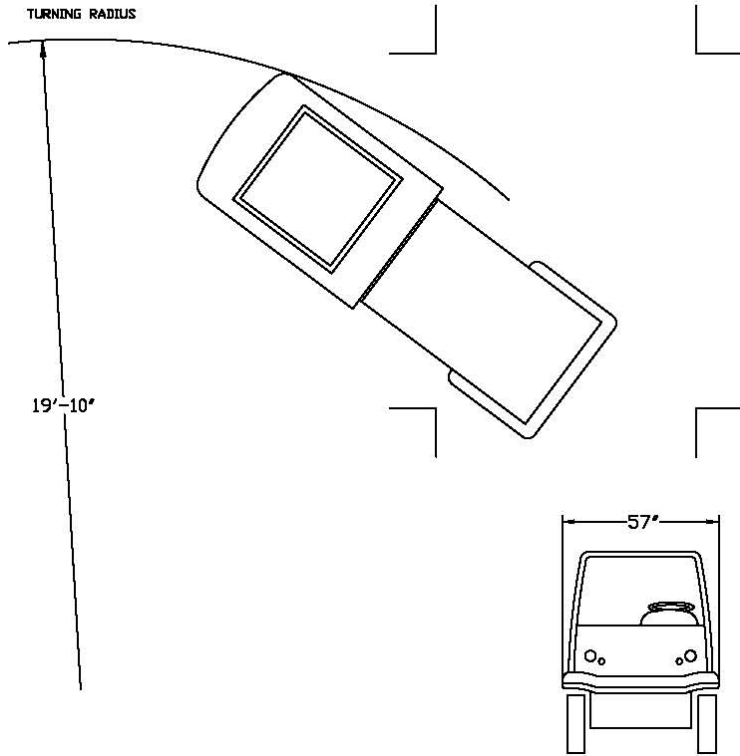
Stake box (AK 28-2-STD-SB and AK 48-2-STD-SB-OPEN)



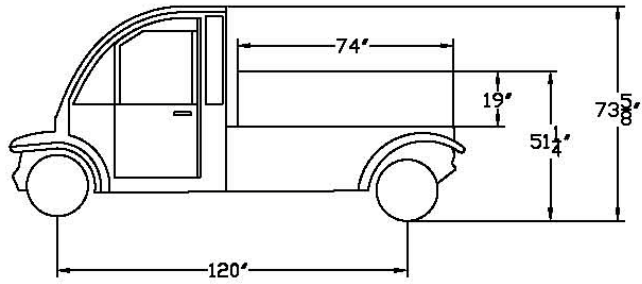
Two tool boxes (AK 48-2-STD-2TB and AK 48-2-STD-2TB-OPEN)



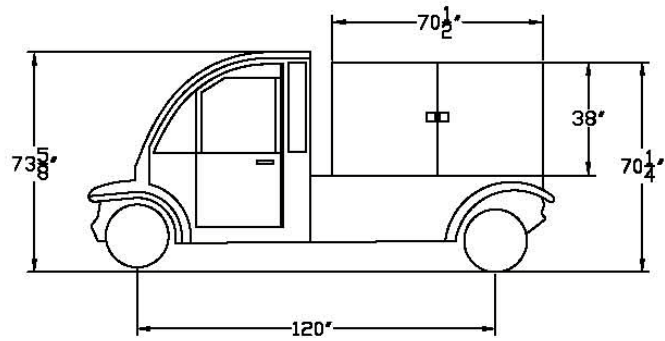
Utility box (AK 38-2-STD-UB and AK 48-2-STD-UB-OPEN)



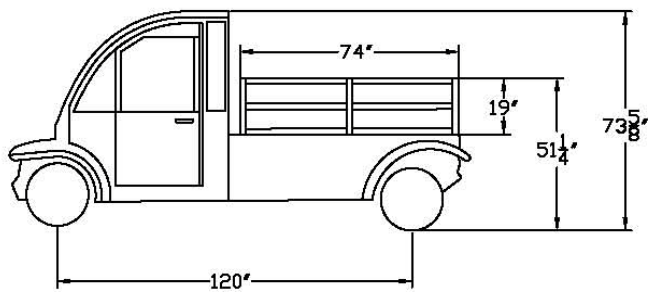
K-Series Long



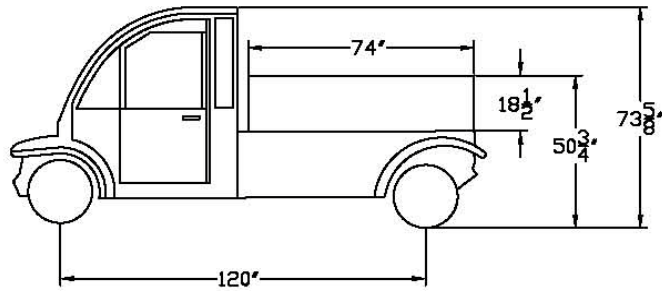
Beverage cart (AK 48-2-LONG-BC)



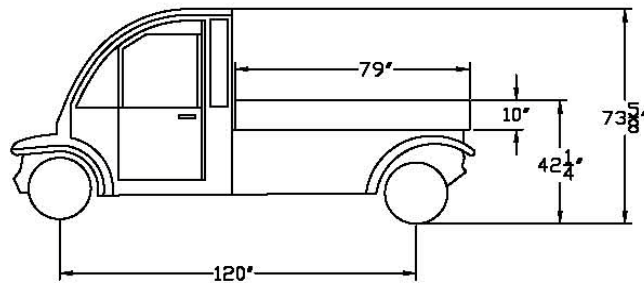
Enclosed box (AK 48-2-LONG-EB) and Insulated box (AK 48-2-LONG-IB)



Stake box (AK 48-2-LONG-SB)



Two tool boxes (AK 48-2-LONG-2TB)



Utility Box (AK 48-2-LONG-UB)

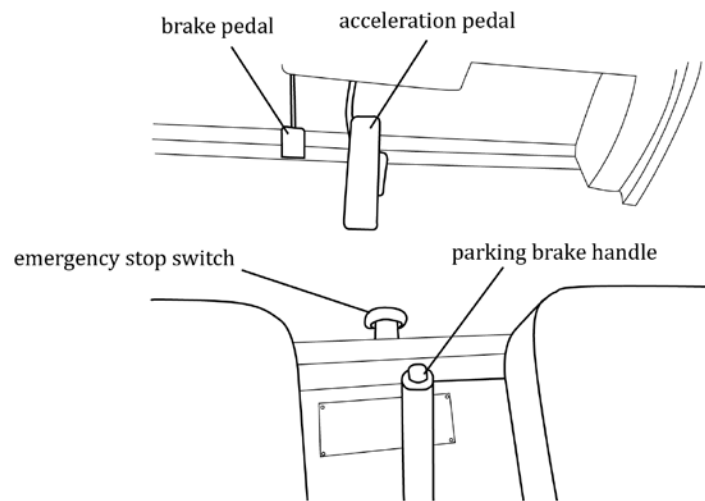
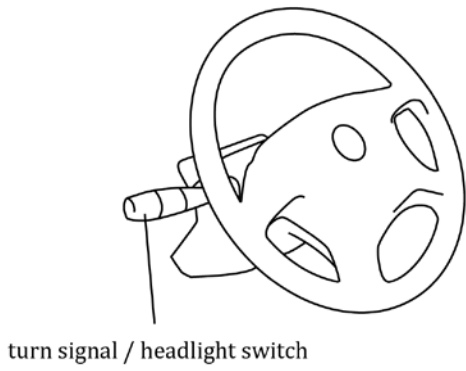
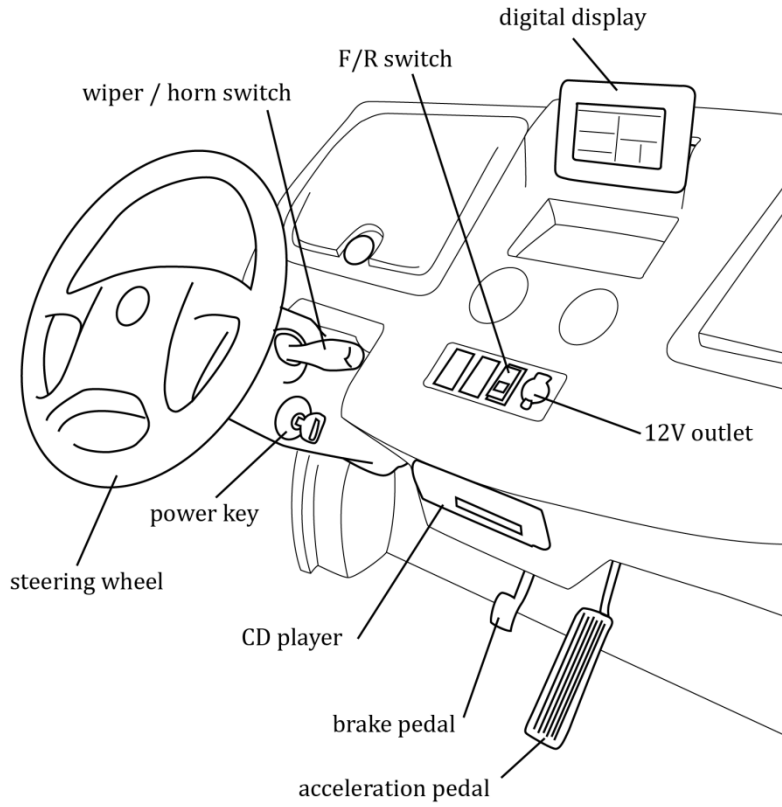
Operation

Important Labels

Please read the following labels carefully before operating the vehicle, and promptly replace any labels which become unreadable or removed.

- *Security Warning* label under the dashboard
- *Warning* label under the dashboard
- *Warning* label beside the parking brake handle

Functions



Power key: Controls the power supply of the whole vehicle. When the key is inserted into it and turned clockwise, it will switch on the lights, horn, and the control system; when the key is turned back, the power will be switched off.

Acceleration pedal: Controls the speed. It should be depressed slowly. The vehicle speeds up with the gradual stepping-down, and reaches the full speed when the pedal is stepped to the bottom. The vehicle slows down when the pedal is released gradually. When the pedal is fully released, electric brake works.

Brake pedal: Decelerates the vehicle.

F/R switch: This switch is a three-position button. Depressing the upper part (F) makes the vehicle move forwards while depressing the lower part (R) makes the vehicle move backwards, and the middle is neutral. **NOTE:** The buzzer will sound when the lower part of this button is depressed to give warning to the people around your electric vehicle.

Hand-brake lever: Parks and brakes the vehicle.

Steering wheel: Controls the driving direction.

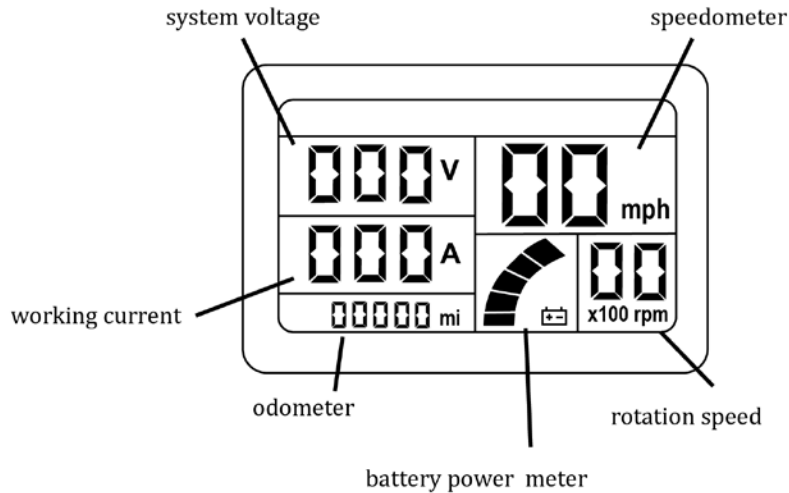
Headlight switch: Controls the headlight.

Direction light switch: Controls the turning signal.

Wiper and horn switch: Controls the wiper and horn.

Emergency stop switch: Stops the power of the whole vehicle in case of emergency. **NOTE:** Before you switch on the vehicle, always check the status of this switch to make sure that it is in the OFF position.

Digital display: This meter shows information including lights, speed, range, hand brake, and battery power.



Operational Process

Starting the vehicle

- 1| Select F for Forward or R for Reverse from F/R button.
- 2| Switch on power with key.
- 3| Release the handbrake lever.
- 4| Depress the acceleration pedal smoothly.

WARNING: If you switch on power key first before selecting Forward or Reverse on F/R Button, the vehicle will not run.

Stopping the vehicle

- 1| Step brake pedal to decelerate the vehicle until it stops completely and shift F/R button to neutral position.
- 2| Engage the handbrake lever to park the vehicle.
- 3| Release the service brake.
- 4| Switch off all lights.
- 5| Switch off the power key and take out the key.

Charging

CAUTION: There are two different kinds of chargers for this vehicle. One is an exterior charger and the other is a built-in (on-body) charger. Before you use the charger, read the charger operation manual.

Explosive hydrogen gas is produced while battery is charged. Only charge the battery in well-ventilated areas.

Before using the charger, check if the battery charger you are using is correctly rated for your local AC electricity network.

Do not disconnect the DC output cord from the battery receptacle when the charger is ON, otherwise an arc could occur which may cause an explosion.

Do not open the housing of the charger. Only a qualified electrician should open the housing of the charger.

The charger should be stored in safe and dry room with good ventilation. The charger should be packed properly if not used for long time.

Charging Procedure

Turn off the power of the vehicle before charging.

For a non-onboard charger with one set of batteries:

- 1| Connect charger to DC receptacle on the vehicle.
- 2| Connect the charger to AC power.
- 3| Turn on the charger.
- 4| Turn off the charger when the batteries are fully charged. Disconnect the charger from AC power first, and then disconnect the charger with AC receptacle.

For onboard (built-in) charger:

- 1| Connect the charger with AC power.
- 2| Turn on the charger.
- 3| Turn off the charger when the batteries are fully charged, disconnect the charger with AC power.

Safety

The driver should have a good knowledge of the operation system of the vehicle and its features while following rules for safe operation.

WARNING: Drive the vehicle off streets unless it is allowed.

- The vehicle cannot be overloaded, or the motor will be damaged. An overloaded vehicle can lose control and its life will be shortened.
- Unqualified persons are prohibited to drive the vehicle.
- Make sure this vehicle runs in its rated climbing ability.
- Don't overtake other vehicles at crossroads, in blind areas or in other dangerous zones.
- Keep your entire body inside the vehicle, keep seated and holding on while the vehicle is moving.
- Do not start the vehicle until all occupants are securely seated.
- Keep your hands on the steering wheel and your eyes on the path ahead.
- Always back out the vehicle slowly and watch the back carefully.
- Avoid starting and stopping suddenly.
- Avoid turning the vehicle too sharply at high speeds.
- Always drive slowly up and down slopes.
- Do not make any modification or addition which may affect the capacity or safety.
- Children are not allowed to play in the vehicle. Children should be seated between adults and protected while the vehicle is moving.

Battery Maintenance

WARNING: Battery electrolyte is poisonous and dangerous, may cause severe burns, injury, etc.. Always wear protective clothing, gloves, and goggles when handling batteries, electrolyte, and charging your battery.

KEEP OUT OF REACH OF CHILDREN.

Cleaning

The exterior of the battery, the connection wires and bolts should always be kept clean and dry. When cleaning, make sure all vent caps are tightly in place. Clean the battery top with a cloth or brush and solution of baking soda and water. When cleaning, do not allow any cleaning solution or other foreign matter to get inside the battery. This should be done every week.

Clean battery terminals and the inside of cable clamps using a post and clamp cleaner. Clean terminals will have a bright metallic shine. This should be done whenever necessary.

Reconnect the clamps to the terminals and thinly coat them with petroleum jelly (Vaseline) to prevent corrosion.

WARNING: Before you disconnect any battery cable from any terminal on the battery, always remove the power by disconnecting the main battery cable from the controller.

Checking the terminals and nuts: The connection of the battery should always be kept in good condition. Check every week on whether any battery cable terminal or nut has become loose in order to prevent any damage to terminals. Check the status of the battery cable weekly. A damaged battery cable should be replaced immediately.

Foreign matter: Do not place any objects on the battery and do not connect the positive pole to the negative pole. This may cause a short circuit and sparking.

Recharging

- As long as you use the vehicle, regardless of how long you have used it, the battery should be recharged fully on the same day. Any delay in re-charging will negatively affect the

battery. The lead-acid battery does not develop a memory, so need not be fully discharged before recharging.

- If the vehicle is going to be kept unused for a long time, the battery should be fully recharged first. After that, the battery should be fully recharged every two weeks.
- When driving, the driver should always be aware of the drop level of the battery power from the battery power meter. Any drop means the battery power is diminishing. The driver can estimate the distance needed to be taken, and recharge the battery at a proper time in case the vehicle cannot get back to the recharging station in time for recharging.

WARNING: Make sure the battery is recharged before the battery power meter shows 20% power is left inside the battery. An over-discharged battery will have a very short service life and will make recharging difficult.

WARNING: During recharge, the vehicle should be parked in a well-ventilated area with the fill caps tightly secured. Keep far away from any flame and sparks to avoid any explosion or fire that could cause physical injury or damage to the property.

During recharge, if the vehicle had doors, keep the doors open. Lift the seat bottom to keep the battery compartment open to the air.

Watering

Flooded batteries need water. More importantly, watering must be done at the right time and in the right amount or else the battery's performance and longevity suffers. Water should always be added after fully charging the battery. Prior to charging, there should be enough water to cover the plates. If the battery has been discharged partially or fully, the water level should also be above the plates. Keeping the water at the correct level after a full charge will prevent having to worry about the water level at a different state of charge.

It is recommended that batteries be checked once a month until you get a feel for how often you must water your batteries. Important things to remember:

- Do not let the plates get exposed to air. This will damage (corrode) the plates.
- Do not fill past the water level in the filling well to the cap. This most likely will cause the battery to overflow acid, consequently losing capacity and causing a corrosion.
- Do not use water with a high mineral content. Use distilled or de-ionized water only.

WARNING: The electrolyte is a solution of acid and water so skin contact should be avoided.

Watering procedure

- 1| Open the vent caps and look inside the fill wells.
- 2| Check electrolyte level; the minimum level is at the top of the plates.
- 3| If necessary add just enough water to cover the plates at this time.
- 4| Put batteries on a complete charge before adding any additional water (refer to the *Charging* section).
- 5| Once charging is completed, open the vent caps and look inside the fill wells.
- 6| Add water until the electrolyte level is 1/8" below the bottom of the fill well.
- 7| A piece of rubber can be used safely to help determine the level.
- 8| Clean, replace, and tighten all vent caps.

CAUTION: Never add acid to a battery.

Testing: Visual inspection alone is not sufficient to determine the overall health of the battery. Both open-circuit voltage and specific gravity readings can give a good indication of the battery's charge level, age, and health. Routine voltage and gravity checks will not only show the state of charge but also help spot signs of improper maintenance, such as undercharging and over-watering, and possibly even locate a bad or weak battery. The following steps outline how to properly perform routine voltage and specific gravity testing on batteries.

Specific Gravity Test (Flooded batteries only)

- 1| Do not add water at this time.
- 2| Fill and drain the hydrometer 2 to 4 times before pulling out a sample.
- 3| There should be enough sample electrolyte in the hydrometer to completely support the float.
- 4| Take a reading, record it, and return the electrolyte back to the cell.

- 5|** To check another cell, repeat the 3 steps above.
- 6|** Check all cells in the battery.
- 7|** Replace the vent caps and wipe off any electrolyte that might have been spilled.
- 8|** Correct the readings to 80° F:
 - a|** Add .004 to readings for every 10° above 80° F.
 - b|** Subtract .004 for every 10° below 80° F.
- 9|** Compare the readings.
- 10|** Check the state of charge using the table below.

The readings should be at or above the factory specification of 1.277 +/- .007. If any specific gravity readings register low, then follow the steps below.

- 1|** Check and record voltage level(s).
- 2|** Put battery/batteries on a complete charge.
- 3|** Take specific gravity readings again.

If any specific gravity reading still registers lower than the factory specification of 1.277 +/- .007 then one or more of the following conditions may exist:

- 1|** The battery is old and approaching the end of its life.
- 2|** The battery was left in a state of discharge too long.
- 3|** Electrolyte was lost due to spillage or overflow.
- 4|** A weak or bad cell is developing.
- 5|** Battery was watered excessively previous to testing.

Batteries in conditions 1 - 4 should be taken to a specialist for further evaluation or retired from service.

Open-Circuit Voltage Test

For accurate voltage readings, batteries must remain idle (no charging, no discharging) for at least 6 hrs, preferably 24 hrs.

- 1| Disconnect all loads from the batteries.
- 2| Measure the voltage using a DC voltmeter.
- 3| Check the state of charge with the table below.
- 4| Charge the battery if it registers 0% to 70% charged.

If battery registers below the Table 1 values, the following conditions may exist:

- The battery was left in a state of discharge too long.
- The battery has a bad cell.

These batteries should be taken to a specialist for further evaluation or retired from service.

State of charge as related to specific gravity and open circuit voltage

Percentage of Charge	Specific Gravity Corrected to 80° F	Open-Circuit Voltage					
		6V	8V	12V	24V	36V	48V
100	1.277	6.37	8.49	12.73	25.46	38.20	50.93
90	1.258	6.31	8.41	12.62	25.24	37.85	50.47
80	1.238	6.25	8.33	12.50	25.00	37.49	49.99
70	1.217	6.19	8.25	12.37	24.74	37.12	49.49
60	1.195	6.12	8.16	12.24	24.48	36.72	48.96
50	1.172	6.05	8.07	12.10	24.20	36.31	48.41
40	1.148	5.98	7.97	11.96	23.92	35.87	47.83
30	1.124	5.91	7.88	11.81	23.63	35.44	47.26
20	1.098	5.83	7.77	11.66	23.32	34.97	46.63
10	1.073	5.75	7.67	11.51	23.02	34.52	46.03

Battery Installation

Tighten the battery cables to battery terminals with torque of 95 - 105 lbs. in. (10.7 - 11.9 N.M.)
Make sure there is nothing else between the battery cable lug and battery terminal post.

WARNING: When working with the battery, DO NOT put wrenches or any other metal objects across the battery terminals, otherwise, an arc can occur, and it may cause explosion of the battery and physical injury.

Battery should be installed or replaced only by a qualified electrician.

Gear Box Maintenance

The clearance for the clutch should be kept at 2 - 3 mm.

The friction plate should be changed periodically; the friction value on one side should not exceed 2 mm.

Adjust the flatness of the platen spring plate (feeling manually). First, tighten the screws diagonally, using your hand to check the flatness of the spring plate. If not flat, tighten the screws.

Change the gear oil inside the gear box periodically. For a new vehicle, change the oil after one month or accumulated running distance exceeding 750 miles; change the oil again two months later, then change the oil every six months. The oil type is 85W/90GL.

Clean the gear box before changing the oil.

CAUTION: Never mix different oils.

Traction/Motor Maintenance

The motor is designed for use up to 4000 feet above sea level and in a temperature between -15° F and 105° F.

Never keep the motor running idly. Any mud, sand, and other clinging objects should be cleaned away.

Check the carbon brush every three months. To change a worn or weakened carbon brush, press spring.

Troubleshooting for Motor

Warning: Only a qualified electrician should change and adjust the carbon brush.

<i>Symptoms</i>	<i>Possible Causes</i>
All copper plates turn black	The pressure of brush is incorrect.
The commutator turns black in a certain order and in groups	Short circuit in the commutator or armature coil; poor welding or disconnection between the commutators and the armature coil.
The commutator turns black	The central line of the commutator deviates or its surface is not round and smooth.
The brush wears out, turns colors and becomes broken	The motor vibrates; the clearance between the brush and its holder is too big; the clearance between the brush and commutators is too big; the brush is made by wrong materials; the brush is the wrong type.
Big sparks	The motor is overloaded; the commutators are not clean, round or smooth; mica or some commutators extrude; the brush is not ground properly; the brush is the wrong type; the brush is jammed in the brush holder; the brush holder become loose or vibrating; the polarity and sequence of magnetic poles is wrong.
The brush and its wires get hot	Big sparks of the brush; poor contact between brush and soft wires.
The brush is noisy	The surface of the commutators is not smooth.

Speed Controller Maintenance

The speed controller of the vehicle is wholly imported, which adopts high frequency MOS technology to realize the control of speed, torque and brake with smoothness, silence, and high energy efficiency.

When the vehicle starts, the controller will inspect signals from the accelerator. If signal exceeds 20%, the HPD (protection unit in the controller) will prohibit the output of the controller.

The controller will self-check when the vehicle is running. If any defect inspected, the controller will stop the vehicle to protect the operator and the vehicle.

Brake System Maintenance

Depress the brake pedal with a force of 65 lbs. The pedal travel shouldn't exceed 2/3 of the full free pedal travel.

The clearance for the brake plate is self-adjusted. Under a force of around 45 lbs, the parking brake handle should be fixed in one gear from 5 to 10 ratchets. When the brake handle is released completely, the brake function will stop.

Inspect and change brake shoe, and add lubrication into the brake bearing periodically.

Lubrication

Use 901 vehicle brake oil DOT3 as brake oil. Use 1L of 85W/90GL lubrication oil for gear box. Use 1L of 90GL hypoid gear oil for the rear axle.

Lubrication points: steering gears, horizontal bars, steering ball joints, and bearings.

General Maintenance Notes

- To avoid any damage on the brake shoe, the handbrake should be released to its bottom before starting the vehicle.
- The lubricant for rear power assembly must be applied and changed as per user's manual.
- The brake system must be adjusted once every 3 months.
- The electricity system must be checked once every 3 months (especially main circuit) for its fastening parts and wiring connections. Meanwhile the contactor should be checked. Any defective parts should be replaced immediately. Dust should be cleaned with low pressure air.
- The electric contactors easily become hot if their mutual contact is not in good condition, so special attention should be paid regularly to the electric contactors.
- When changing a fuse, make sure that the new fuse is right in rated current.
- Disconnect the positive pole from the battery when maintenance is done.
- Never step the accelerator hard and frequently, which may shorten the life of the controller.
- It is prohibited to pour any other liquids (such as battery additives, mineral water and tap water) into the battery. Only distilled water should fill battery.

Periodical Maintenance

- Check if the contact between contacting points of the contactor is in good condition, check for any mechanical sticking or jamming.
- Check if the micro switch in the accelerator can be switched on and off properly.
- Check if the switch for the turn signal can be switched on and off properly.
- Check if all the connections between the motor, the battery, and the controller are in good condition.

Please use the following cleaning procedure for routine maintenance:

- 1|** Turn the power key to OFF position.
- 2|** Remove power by disconnecting the battery.

- 3] Discharge the capacitors in the controller by connecting a load (such as a contactor coil or a horn) across the controller's B+ and B- terminals.
- 4] Remove any dirt or corrosion from the connector areas. The controller should be wiped clean with moist rag. Dry it before reconnecting the battery. The controller should not be subjected to pressured water flow from either a standard hose or a power washer.
- 5] Make sure the connections are tight, but do not over-tighten them.

NOTE: All above checks should be performed with the power off. Above checks shall be carried out once every 3 months; after the power is turned off, the wave-filter capacitor in the controller unit should continue discharging for a few minutes more; don't wash the electrical parts with water. You can remove dust with a brush or high-pressure air.

Periodic Maintenance Chart

Regular maintenance is required for the best performance and safe operation of the vehicle.

WARNING: Make sure to turn off the power key and apply the park brake when you do the maintenance unless specified. If the owner is not familiar with the maintenance of this vehicle, the dealer should do the work.

<i>Item</i>	<i>Descriptions</i>	<i>Daily</i>	<i>Weekly</i>	<i>Monthly</i>	<i>Quarterly</i>	<i>Yearly</i>
Battery	Check the liquid level. Add distilled water if necessary.	■				
	Charge the battery.	■				
	Tighten the nut on the battery cable.		■			
	Check if the battery is over-discharged (the battery power meter flashing).	■				
	Check the liquid density of the battery; standard density should be 1.275±0.005.		■			
	Check if the battery is charged fully by using the hydrometer and checking the battery power meter.	■				

	Clean the surface of battery.		■			
Charger	Observe the charging status, check if the charger plug becomes hot.	■				
	Clean the surface of the charger. Do not get any water inside the charger.		■			
Controller	Check if all terminals are tightened properly. Do this after the power is off.				■	
	Clean the surface of the controller.				■	
	Check if the solenoid is in order, checking its touching point.					■
Motor	Check if any water gets in. Check if it becomes too hot.	■				
	Check if the carbon brush should be replaced.					■
	Check if the accelerator pedal works well and if it can be released freely and automatically.				■	
Chassis and body	Check if the brake drum and the brake shoe should be replaced.				■	
	Check if the hand brake functions.				■	
	Check if the hose and tube for the brake liquid leaking.			■		
	Check if the brake liquid inside the brake liquid tank is enough.			■		
	Check the air pressure inside the tire, check if the tire surface is worn, and check if the nuts are tightened properly.		■			
	Check if the shock absorber has any oil leaking, flat or abnormal noise.			■		
	Check if there is oil leaking on the gear box and the rear end.		■			
	Add the lubricant inside the wheel hub, steering system.				■	

	Adjust the toe-in of the front end.				■	
	Clean the body and seat.				■	

After above maintenance, drive the vehicle to check if the vehicle works properly.

Storage

Please follow the steps below when the vehicle is stored.

- 1| Check the liquid level inside the battery; recharge it fully before storing the vehicle.

WARNING: Charge the battery once a month if your vehicle will be stored more than one month.

- 2| Turn the power key to OFF position, remove the key, and store the key in a safe place.

- 3| Engage the handbrake.

- 4| Check the tire pressure to make sure its pressure is set to recommended pressure.

- 5| Clean the exterior of the vehicle and apply a rust inhibitor.

- 6| Cover the vehicle with a breathable cover and store it in a dry, safe, and well-ventilated place.

- 7| If you plan to store the vehicle for a longer time, check the liquid level inside the battery and recharge the battery monthly.

Troubleshooting

There is no settled mode to diagnose and eliminate malfunctions. During maintaining and checking, we suggest you first listen, then look and feel. Below is the diagnoses and maintenance of some common malfunctions.

1| The vehicle doesn't move

<i>Malfunction</i>	<i>Possible reason</i>	<i>Troubleshooting</i>
Turn on power key; no display on instrument panel	Connector(s) in circuit is loose or open	Tighten or connect
	Fuse of controller or main circuit is open	Change fuse
	Battery cable(s) is loose or disconnected	Tighten or change
	Power key is broken	Change
	volatmeter is broken	Change
	Battery terminals connect improperly	Adjust
Turn on power key; instrument panel displays signs	Improper operating procedure	Operate properly
	Controller failure	Check or change
	Solenoid failure	Check, repair, change
	Accelerator failure	Repair or change
	Motor failure	Repair or change
	Parking brake doesn't loosen	Loosen parking brake
	Over-heat protection	Check, eliminate

2| Locking control when vehicle starts running, speed cannot be adjusted

<i>Malfunction</i>	<i>Possible reason</i>	<i>Troubleshooting</i>
Vehicle runs at full speed when it starts	Terminals of solenoid stick together	Check or repair
	Controller failure	Change
	Potentiometer failure	Repair or change

Vehicle stops immediately after it starts	Internal short of motor	Repair or change
	Motor is assembled too tight or blocked	Repair or change
	Controller failure	Repair or change
	Accelerator failure	Repair or change
Normal power at low speed, weak power at high speed	Controller failure	Check or change
	Motor failure	Check or change
	Accelerator failure	Check or change

3| Vehicle cannot change direction, only runs in one direction

<i>Malfunction</i>	<i>Possible reason</i>	<i>Troubleshooting</i>
Vehicle can only run in one direction	F&R switch failure	Change
	Controller Failure	Change

4| Possible reason and troubleshooting for other malfunctions

System	Malfunction	Possible reason	Troubleshooting
Transmission system	Abnormal sound when running	Clearance of rear axle decelerating gear is too big, or the decelerating gear is broken	Adjust, change
		Transmission cross shaft is worn out	Change
		Gear of transmission is worn out or damaged	Change
		Flange bearing is damaged	Change
		Motor bearing is damaged	Change
		Gear liquid is deficient or empty	Add gear liquid
	Hard to shift gear, or gear shift jumps to different positions	Clutch cannot separate smoothly	Adjust
		Gear shift wire is damaged	Change

		Gear inside transmission case is worn out	Change
		Orientation pin is loose	Change
Steering System	Steering heavy	Pressure of front tire is deficient	Check the pressure and inflate
		Screw plug of redirector is too tight	Adjust
		Lack of lube in redirector	Maintain/add lube
		Toe-in is abnormal	Adjust
		Clearance of tension rod ball is too big	Change
		Steering knuckle and master pin is not lubricated	Add lube
		Steering shaft or its plastic cover is worn out	Change
	Unstable wheels	Rack of redirector is worn out	Change redirector
		Screw plug of redirector is too tight	Adjust
		Toe-in is adjusted improperly	Adjust
		Bearing of front wheel is worn out	Change
		Tie rod ball and joint is worn out	Change tie rod
		Redirector is loose	Tighten
Driving System	Deflected Running	The pressure of the two front tires is different	Inflate
		Toe-in is too big or too small	Adjust
		Tightness of the left and right drum bearing of front wheels is different	Adjust
		Brake of one wheel is too tight	Adjust or change
		Spring shock absorber is abnormal	Change

	Abnormal tire fray	Front suspension is loose	Change
		Tire pressure is abnormal	Inflate
		Toe-in is improper	Adjust
		Drum bearing loose	Change
		U type bolt of leaf spring is loose	Tighten
		Rim is distorted or frame is distorted	Tighten
		Brake force of each wheel is different	Adjust
		Overexerting accelerate or braking frequently	Alter operation
Brake system	Brake fail	Master cylinder and/or wheel cylinder is damaged or leaking oil	Check, eliminate, change
		Brake fluid is insufficient or empty	Add fluid
		Air enters into oil pipe	Bleed air
		Free travel of brake pedal is too long or the clearance of arrester is too big	Adjust
		Brake drum is worn out or distorted	Change
		Master cylinder leaks oil internally	Change
	Braking deviation	The clearance of left brake drum shoe and right brake drum shoe is different	Adjust
		Oil is on one arrester's brake shoe	Dispose or change
		Tire pressures are different	Repair or change

		One wheel cylinder's piston is blocked	Adjust
		Wheels are aligned improperly	Adjust
		Brake drum out of round	Change
	Braking drag	Brake pedal has no free travel	Adjust
		Clearance between brake shoe and drum is too small or releasing spring is disabled	Adjust or change
		Piston of wheel cylinder is ineffective	Check or change
		Piston of master cylinder is ineffective	Change
		Parking brake is ineffective	Change spring
	Braking noise	Shoes distort	Change
		Brake facing wear out	Change
Brake drum breach, scraped to uneven		Change	

This manual tries to be as sound and elaborate as possible in literal and figurative description as well as technical description on the basis of existing data. At the same time, our company reserves the right to alter the content of this manual and this manual is subject to change without prior notice; in addition, our company has the final say on the interpretation of this manual.

