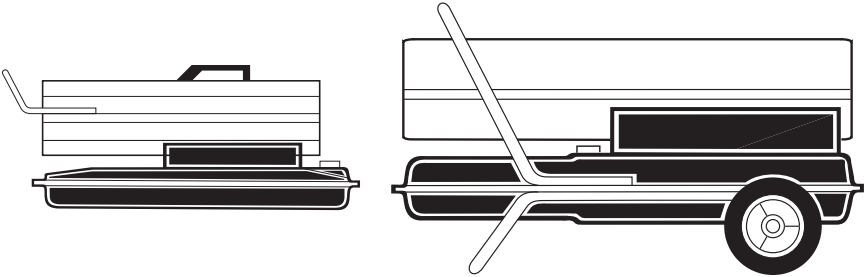


DESATM

HEATING PRODUCTS

CANADIAN PORTABLE FORCED AIR HEATERS OWNER'S MANUAL



MODELS: BC40, RC40, BC55CT, RC55CT, UKC55CT, BC70ET, RC70ET, UKC70ET, BC115DT, RC115DT, UKC115DT, BC165DT, RC165DT AND UKC165DT

**HEATER SIZES: 40/55/70/115/165,000 BTU/HR MODELS
H.S.I. SERIES**

IMPORTANT: Read and understand this manual before assembling, starting or servicing heater. Improper use of heater can cause serious injury. Keep this manual for future reference.

TABLE OF CONTENTS

Safety Information	2	Storing, Transporting or Shipping	7
Unpacking	3	Preventative Maintenance Schedule	8
Product Identification	3	Troubleshooting	8
Fuels	4	Service Procedures	10
Ventilation	4	Specifications	15
Theory of Operation	4	Illustrated Parts Breakdown and Parts List	16
Assembly	5	Wiring Diagrams	25
Operation	6	Accessories	26
Operation With Portable Generator	7	Warranty and Repair Service	Back Cover

Fill In For Your Records

Model No. _____
(Located on side panel)

Serial No. _____
(Located on fuel tank)

Date of Purchase: _____



**Save this manual for future reference.
For more information, visit www.desatech.com**

SAFETY INFORMATION



WARNING: This product contains and/or generates chemicals known to the State of California to cause cancer or birth defects or other reproductive harm.

IMPORTANT: Read this owner's manual carefully and completely before trying to assemble, operate or service this heater. Improper use of this heater can cause serious injury or death from burns, fire, explosion, electrical shock, and carbon monoxide poisoning.



DANGER: Carbon monoxide poisoning may lead to death!

Carbon Monoxide Poisoning: Early signs of carbon monoxide poisoning resemble the flu, with headaches, dizziness, and/or nausea. If you have these signs, the heater may not be working properly. **Get fresh air at once!** Have heater serviced. Some people are more affected by carbon monoxide than others. These include pregnant women, persons with heart or lung disease or anemia, those under the influence of alcohol, and those at high altitudes. Make certain you read and understand all warnings. Keep this manual for reference. It is your guide to safe and proper operation of this heater.

1. Use only kerosene, #1#2 diesel/fuel oil, JET A or JP-8 fuels to avoid risk of fire or explosion. Never use gasoline, naphtha, paint thinners, alcohol or other highly flammable fuels.
 2. Fueling
 - a) Personnel involved with fueling shall be qualified and thoroughly familiar with the manufacturer's instructions and applicable regulations regarding the safe fueling of heating units.
 - b) Only the type of fuel specified on the heater's data plate shall be used.
 - c) All flame, including the pilot light, if any, shall be extinguished and the heater allowed to cool, prior to fueling.
 3. Use only the electrical voltage and frequency specified on model plate.
 4. Heater must be grounded. Use only a properly grounded three-wire extension cord. Plug into grounded outlet only.
 5. Use only in areas free of flammable vapors or high dust content.
 6. Minimum clearance from any combustible materials: 8 feet (244 cm) from hot air outlet; 4 feet (122 cm) from top; and 4 feet (122 cm) from sides and inlet.
 7. Locate heater on a stable and level surface while hot or operating or a fire may occur.
 8. Use only in well-vented areas. Before using heater, provide at least a three-square-foot (2800 square cm) opening of fresh, outside air for each 100,000 Btu/Hr (30 kw) of rating.
 9. Keep children and animals away from heater at all times.
 10. Never start heater when combustion chamber is hot or if fuel has accumulated in combustion chamber.
 11. When used with thermostat, heater may start at anytime.
 12. When heater is moved or stored, it must be in a level position or fuel spillage may occur.
 13. Use heater only in accordance with local ordinances and codes.
 14. Never use gasoline, crankcase drainings, naphtha, paint thinners, alcohol or other highly flammable fuels.
 15. Never use heater where gasoline, paint thinner or other highly flammable vapors are present.
- d) During fueling, all fuel lines and fuel-line connections shall be inspected for leaks. Any leaks shall be repaired prior to returning the heater to service.
 - e) At no time shall more than one day's supply of heater fuel be stored inside a building in the vicinity of the heater. Bulk fuel storage shall be outside the structure.
 - f) All fuel storage shall be located a minimum of 25 feet (762 cm) from heaters, torches, welding equipment, and similar sources of ignition (exception: the fuel reservoir integral with the heater unit).
 - g) Whenever possible, fuel storage shall be confined to areas where floor penetrations do not permit fuel to drip onto or be ignited by a fire at lower elevation.
 - h) Fuel storage shall be in accordance with the authority having jurisdiction.

SAFETY INFORMATION

Continued

- Never use heater in living or sleeping areas.
- Never leave a heater plugged in without adult supervision if children or animals are likely to be present.
- Never move, handle, refuel or service a hot, operating or plugged-in heater.
- Never attach duct work to front or rear of heater.
- Never attach heater to external fuel tank.
- Heaters used in the vicinity of tarpaulins, canvas or similar enclosure materials shall be located a safe distance from such materials. The recommended minimum safe distance is 10 feet (304.8 cm). It is further recommended that these enclosure materials be of a fire retardant nature. These enclosure materials shall be securely fastened to prevent them from igniting or from upsetting the heater due to wind action.
- Unplug heater when not in use.
- Never block air inlet (rear) or air outlet (front) of heater.

UNPACKING

- Remove all packing items applied to heater for shipment.
- Remove all items from carton.
- Check items for any shipping damage. If heater is damaged, promptly inform dealer where you bought heater.

PRODUCT IDENTIFICATION

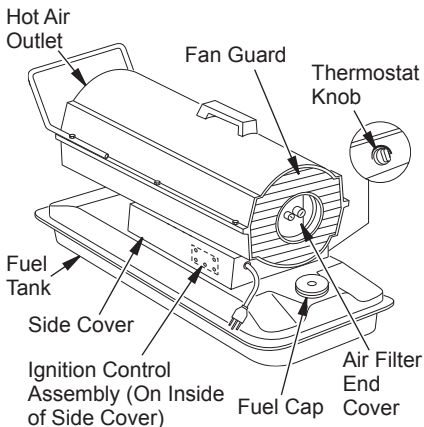


Figure 1 - 40 Model

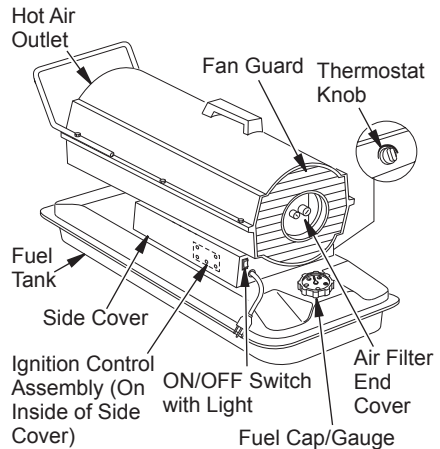


Figure 2 - 55/70 Model

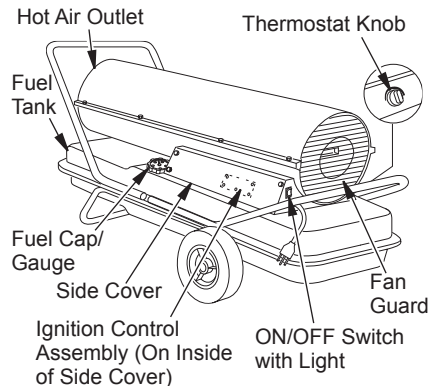


Figure 3 - 115 Model

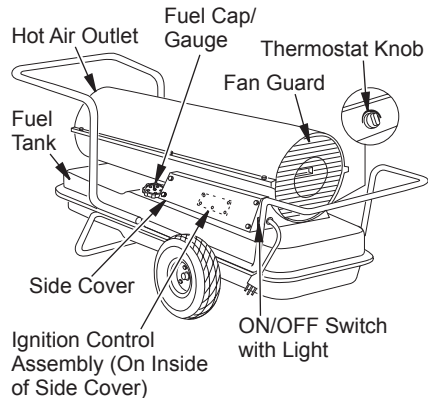


Figure 4 - 165 Model

FUELS

⚠ WARNING: Use only kerosene, #1/#2 diesel/fuel oil, JET A or JP-8 fuels to avoid risk of fire or explosion. Never use gasoline, oil drained from crankcases, naphtha, paint thinners, alcohol or other highly flammable fuels.

Use only kerosene, #1/#2 diesel/fuel oil, JET A or JP-8 fuels. Heavier fuels such as No. 2 fuel oil or No. 2 diesel fuel may also be used but will result in:

- noticeable odor
- additional fuel filter maintenance
- the need for nontoxic, anti-icer additives in very cold weather

Do not use fuels heavier than No. 2 grade or heavy oils such as oil drained from crankcases. These heavy oils will not ignite properly and will contaminate the heater.

IMPORTANT: Use a KEROSENE ONLY (blue) or DIESEL ONLY (yellow) storage container. Be sure storage container is clean. Foreign matter such as rust, dirt or water will cause the ignition control assembly to shut down heater. Foreign matter may also require heater's fuel system to be frequently cleaned.

THEORY OF OPERATION

The Fuel System: The air pump forces air through the air line. The air is then pushed through the nozzle. This air causes fuel to be lifted from the tank. A fine mist of fuel is sprayed into the combustion chamber.

The Air System: The motor turns the fan. The fan pushes air into and around the combustion chamber. This air is heated and provides a stream of clean, hot air.

The Ignition System: The ignition control assembly provides power to the ignitor. This ignites the fuel/air mixture in the combustion chamber.

The Flame-Out Control System: This system causes the heater to shut down if the flame goes out.

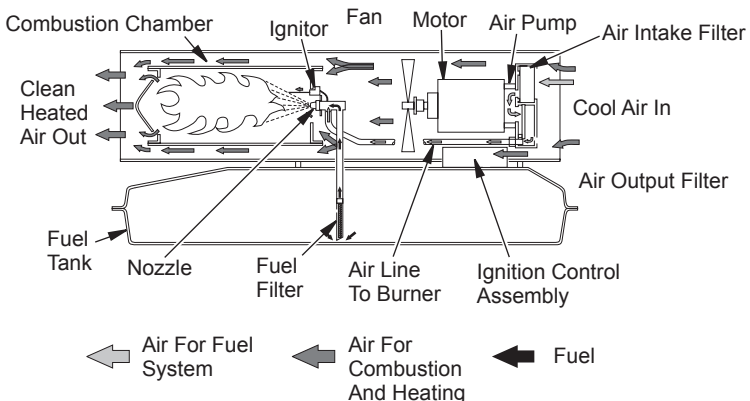


Figure 5 - Cross Section Operational View

VENTILATION

⚠ WARNING: Provide a fresh air opening of at least three square feet (2,800 square cm) for each 100,000 Btu/hr rating. Provide extra fresh air if more heaters are being used. The minimum ventilation requirements must be followed to avoid risks associated with carbon monoxide poisoning. Make certain these requirements are met prior to operating heater.

Example: A 200,000 Btu/Hr (58.6 kw) heater requires one of the following:

- a two-car garage door [16 feet (4.88 meter) opening] raised 5 inches (12.7 cm)
- a single-car garage door [9 feet (2.74 meter) opening] raised 8 inches (20.3 cm)
- two, 30 inch (76.2 cm) windows raised 15 inches (38.1 cm)

ASSEMBLY

(FOR 40, 55 AND 70 MODELS ONLY)

These models are furnished with a nose cone guard. Nose cone guard and mounting screws are found in the shipping carton.

Tools Needed

- 5/16" nut driver or wrench
1. Place nose cone guard on top of upper shell flange. Make sure nose cone guard is on hot air outlet end of heater.
 2. Insert screws through nose cone guard and upper shell flange.
 3. Tighten screws firmly.

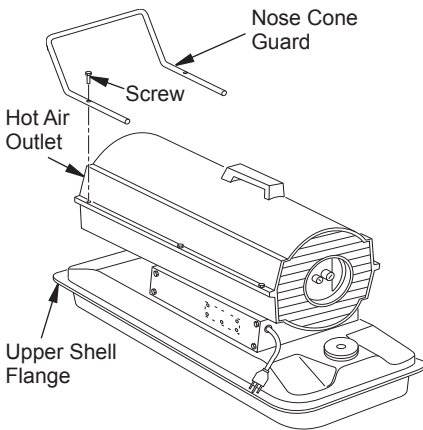


Figure 6 - Nose Cone Guard Assembly, 40/55/70 Models Only

(FOR 115 AND 165 MODELS ONLY)

These models are furnished with wheels and a handle. Some models are furnished with a second handle also. Wheels, handle(s), and the mounting hardware are found in the shipping carton.

Tools Needed

- Medium Phillips Screwdriver
 - 3/8" Open or Adjustable Wrench
 - Hammer
1. Slide axle through wheel support frame. Install wheel spacers if provided. Install wheels on axle.
IMPORTANT: When installing wheels, point extended hub of wheels toward wheel support frame (see Figure 7).
 2. Place cap nuts on axle ends. Gently tap with hammer to secure.
 3. Place heater on wheel support frame. Line up holes on fuel tank flange with holes on wheel support frame. Be sure wheels are mounted under the air inlet of heater.
 4. Place handle(s) on top of fuel tank flange. Insert screws through handle(s), fuel tank flange, and wheel support frame. Attach nut finger tight after each screw is inserted. If only one handle is provided, be sure to mount handle over outlet end of heater.
 5. After all screws are inserted, tighten nuts firmly.

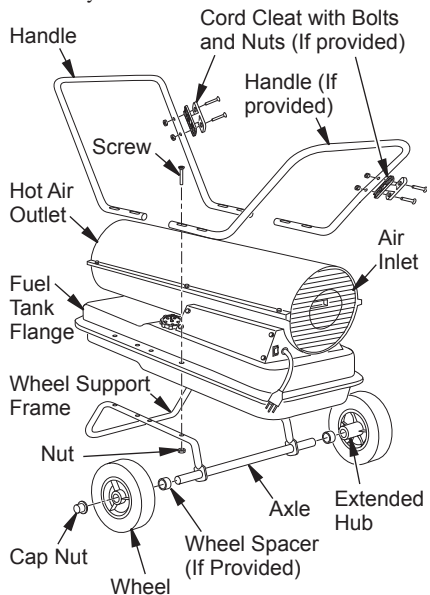


Figure 7 - Wheel and Handle Assembly, 115/165 Models Only

OPERATION

IMPORTANT: Review and understand the warnings in the *Safety Information* section, page 2. They are needed to safely operate this heater. Follow all local ordinances and codes when using this heater.

TO START HEATER

1. Follow all ventilation and safety information.
2. Locate heater to provide maximum circulation of the heated air. Follow all location requirements noted in *Safety Information*, page 2.
3. Fill fuel tank with kerosene, #1#2 diesel/fuel oil, JET A or JP-8 fuel.
4. Attach fuel cap.
5. For thermostat models, turn thermostat knob clockwise to the high position.
6. Plug heater's power cord into approved, grounded, three-wire extension cord. Extension cord must be at least six feet (1.8 meters) long.

Extension Cord Size Requirement

6 to 10 feet (1.8 to 3 meters) long, use 18 AWG (0.75 mm²) rated cord

11 to 100 feet (3.3 to 30.5 meters) long, use 16 AWG (1.0 mm²) rated cord

101 to 200 feet (30.8 to 61 meters) long, use 14 AWG (1.5 mm²) rated cord

7. Plug extension cord into standard 120 volt/60 hertz, 3-prong grounded outlet. **Note:** For heater without ON/OFF switch, ignitor will preheat for five seconds, then heater will start.

Note: For heater with ON/OFF switch, push switch to ON(I) position and heater should start in 5 seconds. If heater does not start, see *Troubleshooting*, page 9.

8. For thermostat models, adjust thermostat knob to the desired setting. **Note:** A cold heater may affect the thermostat setting. This thermostat is a general-heating control. It is not intended for precise temperature control. Adjust thermostat until heater cycles at the desired setting.

TO STOP HEATER

Without ON/OFF Switch

Unplug extension cord from outlet.

With ON/OFF Switch

Push ON/OFF switch to OFF (O) position. Unplug heater when not in use.

TO RESTART HEATER

Without ON/OFF Switch

1. Unplug extension cord from outlet and wait 10 seconds. (Wait two minutes if heater has been running.)
2. Repeat steps under *To Start Heater*.

With ON/OFF Switch

1. Push ON/OFF switch to OFF (O) position and wait 10 seconds (2 minutes if heater has been running).
2. Repeat steps under *To Start Heater*.

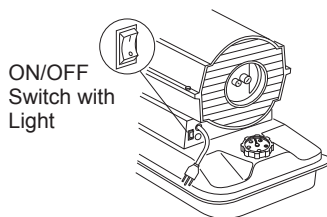


Figure 8 - ON/OFF Switch, 55/70 Models

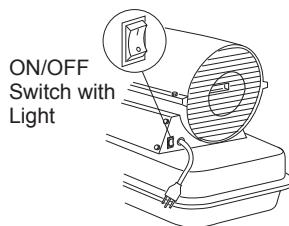


Figure 9 - ON/OFF Switch, 115/165 Models

OPERATION WITH PORTABLE GENERATOR

⚠ WARNING: Before operating heater or any appliance from a portable generator, verify that generator has been properly connected to earth ground. Improper grounding or failure to ground generator can result in electrocution if a ground fault occurs. Refer to owner's manual supplied by generator manufacturer for proper grounding procedures.

The operating voltage range of the heater is 108 to 132 Volts (120 Volts +/- 10%). Prior to plugging heater into generator the output voltage should be verified (if generator is equipped with the automatic idle feature, the output voltage should be measured with the generator running at full speed). If the voltage does not measure in this range the heater should not be plugged into the generator. Refer to *Operation*, page 6, for starting, stopping, and resetting heater procedures.

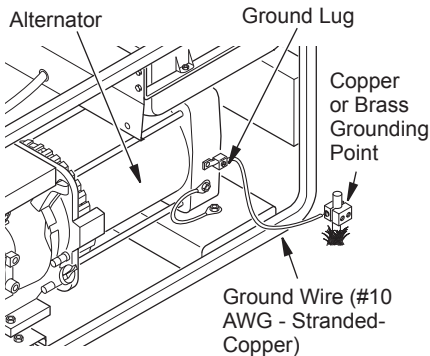


Figure 10 - Typical Generator Grounding Method (Generator construction may vary from that shown)

STORING, TRANSPORTING OR SHIPPING

Note: If shipping, transport companies require fuel tanks to be empty.

1. Drain fuel tank. *Note:* Some models have drain plug on underside of fuel tank. If so, remove drain plug to drain all fuel. If heater does not have drain plug, drain fuel through fuel cap opening. Be sure all fuel is removed.
2. Replace drain plug if provided.
3. If any debris is noted in old fuel, add 1 or 2 quarts of clean kerosene to tank, stir, and drain again. This will prevent excess debris from clogging filters during future use.
4. Replace fuel cap or drain plug. Properly dispose of old and dirty fuel. Check with local automotive service stations that recycle oil.
5. If storing, store heater in dry place. Make sure storage place is free of dust and corrosive fumes.

IMPORTANT: Do not store kerosene over summer months for use during next heating season. Using old fuel could damage heater.

PREVENTATIVE MAINTENANCE SCHEDULE

⚠ WARNING: Never service heater while it is plugged in, operating or hot. Severe burns and electrical shock can occur.

Item	How Often	How To
Fuel tank	Flush every 150-200 hours of operation or as needed	See <i>Storing, Transporting, or Shipping</i> , page 7
Air output and lint filters	Replace every 500 hours of operation or once a year	See <i>Air Output, Air Intake, and Lint Filters</i> , page 10
Air intake filter	Wash and dry with soap and water every 500 hours of operation or as needed	See <i>Air Output, Air Intake, and Lint Filters</i> , page 10
Fuel filter	Clean twice a heating season or as needed	See <i>Fuel Filter</i> , page 11
Ignitor	No maintenance required	
Fan blades	Clean every season or as needed	See <i>Fan</i> , page 10
Motor	Not required/permanently lubricated	

TROUBLESHOOTING

⚠ WARNING: Never service heater while it is plugged in, operating or hot. Severe burns and electrical shock can occur.


FAULT CONDITION	POSSIBLE CAUSE	REMEDY
Motor does not start five seconds after heater is plugged in	<ol style="list-style-type: none"> 1. No power to heater 2. ON/OFF switch not in the ON(I) position 3. Thermostat setting is too low 	<ol style="list-style-type: none"> 1. Check circuit breaker in electrical panel 2. Verify the ON/OFF switch is in ON (I) position and light is on 3. Turn thermostat knob to a higher setting


⚠ WARNING: High voltage!

<ol style="list-style-type: none"> 4. Bad electrical connection between motor and ignition control assembly or ignition control assembly and power cord 5. Binding pump rotor 6. Defective ignition control assembly 7. Defective motor 8. Blown fuse or ignitor control assembly 	<ol style="list-style-type: none"> 4. Check all electrical connections. See <i>Wiring Diagrams</i>, page 25 5. If fan does not turn freely, see <i>Pump Rotor</i>, page 14 6. Replace ignition control assembly 7. Replace motor 8. See <i>Ignition Control Assembly</i>, page 15
--	--

TROUBLESHOOTING

Continued

FAULT CONDITION	POSSIBLE CAUSE	REMEDY
Motor starts and runs but heater does not ignite	1. No fuel in tank	1. Fill tank with kerosene
	2. Pump pressure incorrect	2. See <i>Pump Pressure Adjustment</i> , page 11
	3. Dirty fuel filter	3. See <i>Fuel Filter</i> , page 11
	4. Obstruction in nozzle	4. See <i>Nozzle Assembly</i> , page 13
	5. Water in fuel tank	5. Drain and flush fuel tank with clean kerosene. See <i>Storing, Transporting or Shipping</i> , page 7
 WARNING: High voltage!		
	6. Bad electrical connection between ignitor and ignition control assembly	6. Check electrical connections. See <i>Wiring Diagrams</i> , page 25
	7. Defective ignitor	7. Replace ignitor, see page 12
	8. Defective ignition control assembly	8. Replace ignition control assembly

Heater ignites but ignition control assembly shuts heater off after a short period of time	1. Pump pressure incorrect	1. See <i>Pump Pressure Adjustment</i> , page 11
	2. Dirty air intake, air output, and/or lint filter	2. See <i>Air Output, Air Intake, and Lint Filters</i> , page 10
	3. Dirty fuel filter	3. See <i>Fuel Filter</i> , page 11
	4. Obstruction in nozzle	4. See <i>Nozzle Assembly</i> , page 13
	5. Photocell assembly not properly installed (not seeing the flame)	5. Make sure photocell boot is properly seated in bracket
	6. Dirty photocell lens	6. Clean photocell lens
 WARNING: High voltage!		
	7. Bad electrical connection between photocell and ignition control assembly	7. Check electrical connections. See <i>Wiring Diagrams</i> , page 25
	8. Defective photocell	8. Replace photocell
	9. Defective ignition control assembly	9. Replace ignition control assembly

SERVICE PROCEDURES

WARNING: To avoid risk of burn and electrical shock, never attempt to service heater while it is plugged in, operating or hot.

UPPER SHELL REMOVAL

1. Remove screws along each side of heater using 5/16" nut-driver. These screws attach upper and lower shells together. See Figure 11 or 12.
2. Lift upper shell off.
3. Remove fan guard.

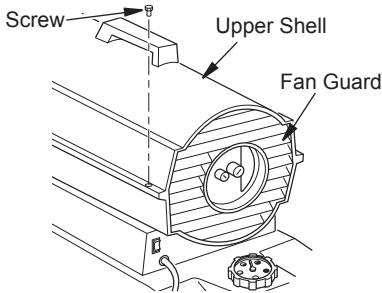


Figure 11 - Upper Shell Removal, 40/55/70 Models Only

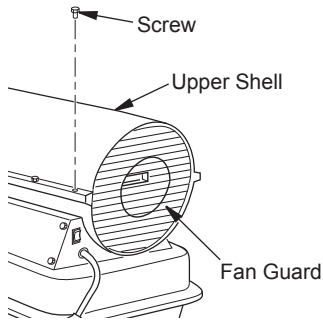


Figure 12 - Upper Shell Removal, 115/165 Models Only

FAN

IMPORTANT: Remove fan from motor shaft before removing motor from heater. The weight of the motor resting on the fan could damage the fan pitch (see Figure 13).

1. Remove upper shell (see Figure 11 or 12).
2. Use 1/8" allen wrench to loosen setscrew which holds fan to motor shaft.
3. Slip fan off motor shaft.

4. Clean fan using a soft cloth moistened with kerosene or solvent.
5. Dry fan thoroughly.
6. Replace fan on motor shaft. Place fan hub flush with end of motor shaft (see Figure 14).
7. Place setscrew on flat of shaft. Tighten setscrew firmly (40-50 inch-pounds/4.5-5.6 n-m).
8. Replace fan guard and upper shell.

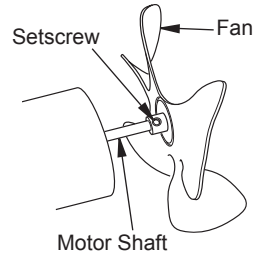


Figure 13 - Fan, Motor Shaft, and Setscrew Location

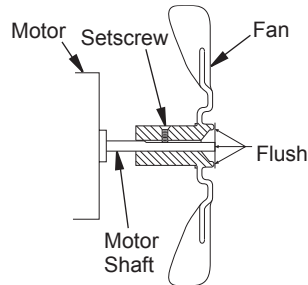


Figure 14 - Fan Cross Section

AIR OUTPUT, AIR INTAKE AND LINT FILTERS

1. Remove upper shell (see Figure 11 or 12).
2. Remove filter end cover screws using 5/16" nut-driver (see Figure 15 or Figure 16, page 11).
3. Remove filter end cover.
4. Replace air output and lint filters.
5. Wash or replace air intake filter (see *Preventative Maintenance Schedule*, page 8).

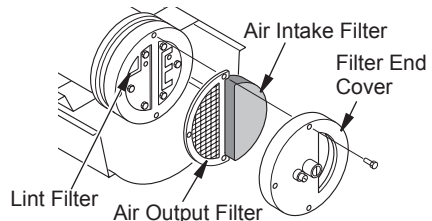


Figure 15 - Air Output, Air Intake, and Lint Filters, 40/55/70 Models Only

SERVICE PROCEDURES

Continued

6. Replace filter end cover.
7. Replace fan guard and upper shell.

IMPORTANT: Do not oil filters.

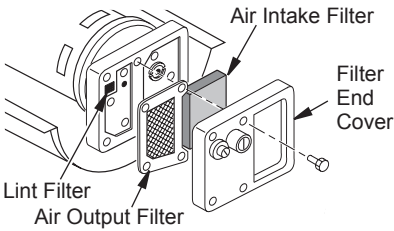


Figure 16 - Air Output, Air Intake, and Lint Filters, 115/165 Models Only

PUMP PRESSURE ADJUSTMENT

1. Remove pressure gauge plug from filter end cover (see Figure 17).
2. Install accessory pressure gauge (part number HA1180).
3. Start heater (see *Operation*, page 6). Allow motor to reach full speed.
4. Adjust pressure. Turn relief valve to right to increase pressure. Turn relief valve to left to decrease pressure. See specifications correct pressure for each model (see Figure 18).
5. Remove pressure gauge. Replace pressure gauge plug in filter end cover.

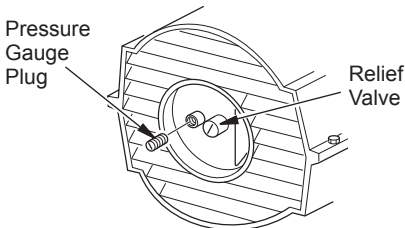


Figure 17 - Pressure Gauge Plug Removal (70 Model Shown)

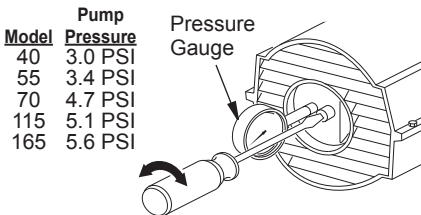


Figure 18 - Adjusting Pump Pressure (70 Model Shown)

FUEL FILTER

1. Remove side cover screws using 5/16" nut-driver.
2. Remove side cover.
3. Pull upper fuel line off fuel filter neck (see Figure 19 or 20).
4. Carefully pry bushing, fuel filter, and lower fuel line (115/165 Models only) out of fuel tank (see Figure 20).
5. Wash fuel filter with clean fuel and replace in tank.
6. Attach upper fuel line to fuel filter neck.
7. Replace side cover.

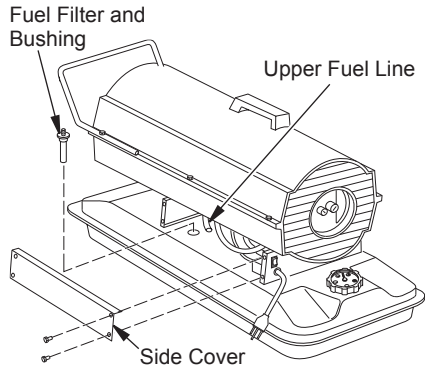


Figure 19 - Fuel Filter Removal, 40/55/70 Models

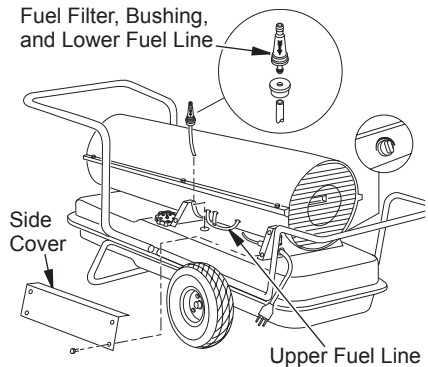


Figure 20 - Fuel Filter Removal, 115/165 Models

SERVICE PROCEDURES

Continued

IGNITOR

1. Remove upper shell and fan guard (See *Upper Shell Removal*, page 10).
2. Remove fan (see page 10).
3. Remove 4 side cover screws with a 5/16" nut driver. Remove side cover (see Figures 19 or 20, page 11).
4. Disconnect ignitor wires from ignition control assembly (see Figure 21). Pull the ignitor wires up through the hole in the lower shell.
5. Disconnect fuel line hose and air line hose. Remove photocell from photocell bracket (see Figure 21).
6. Remove combustion chamber. Stand combustion chamber on end with nozzle adapter bracket on top (see Figure 22).
7. Remove ignitor screw with a 1/4" nut driver. Carefully remove ignitor from nozzle adapter bracket.

CAUTION: Do not bend or strike ignitor element. Handle with care.

8. Carefully remove replacement ignitor from packing.
9. Carefully guide ignitor into opening in nozzle adapter bracket. Do not strike ignitor element. Attach ignitor to nozzle adapter bracket with screw using a 1/4" nut driver (see Figure 23). Torque .90 to 1.69 N-m (8 to 15 in-lbs) Do not over torque.
10. Replace combustion chamber.
11. Route the ignitor wires back down through the hole in the lower shell. Connect wires to the ignition control assembly (see Figure 22).
12. Replace side cover (see Figures 19 or 20, page 11).
13. Connect and route fuel line hose and air line hose to nozzle adapter assembly. See *Fuel and Air Line Replacement and Proper Routing*, page 14.
14. Replace photocell in photocell bracket. Route wires as shown in either (see Figure 23 or Figure 24, page 13).
15. Replace fan (see page 10).
16. Replace fan guard and upper shell (see page 10).

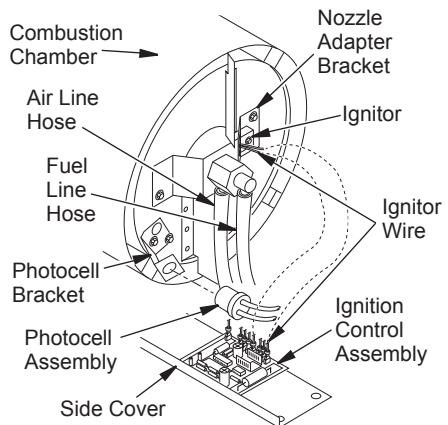


Figure 21 - Disconnecting Ignitor Wires from Ignition Control Assembly

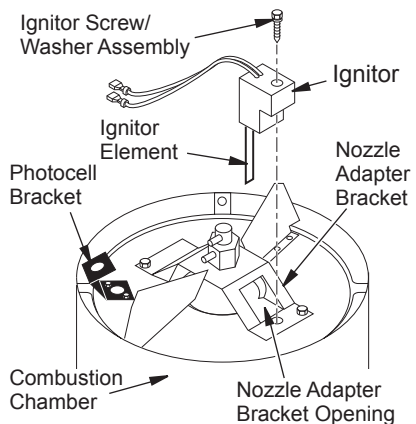


Figure 22 - Ignitor Replacement

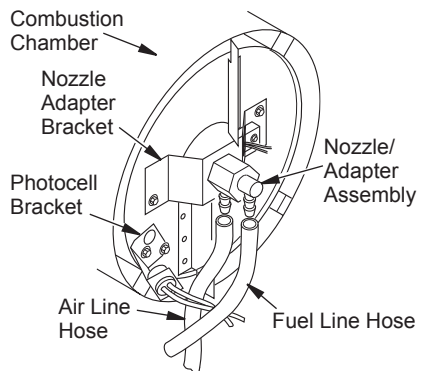


Figure 23 - Removing Air and Fuel Line Hoses (40/55/70 Models Only)

SERVICE PROCEDURES

Continued

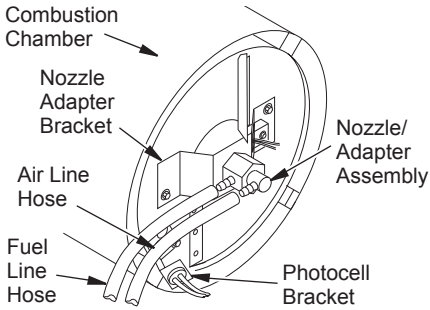


Figure 24 - Removing Air and Fuel Line Hoses (115/165 Models Only)

NOZZLE ASSEMBLY

1. Remove upper shell (see *Upper Shell Removal*, page 10).
2. Remove fan (see *Fan*, page 10).
3. Remove fuel and air line hoses from nozzle assembly (see Figure 23, page 12 or Figure 24).
4. Turn nozzle assembly 1/4 turn to left and pull toward motor to remove (see Figure 25).
5. Place plastic hex-body into vise and lightly tighten.
6. Carefully remove nozzle from the nozzle adapter using 5/8" socket wrench (see Figure 26).
7. Blow compressed air through face of nozzle. This will free any dirt in nozzle area.
8. Inspect nozzle sleeve for damage.
9. Replace nozzle into nozzle adapter until nozzle seats. Tighten 1/3 turn more using 5/8" socket wrench 4.5 to 5.1 N-m (40 to 45 in-lbs). See Figure 26.
10. Attach nozzle assembly to burner strap (see Figure 25).

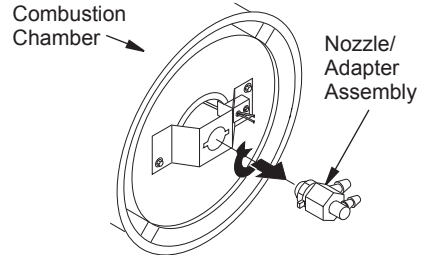


Figure 25 - Removing Nozzle/Adapter Assembly

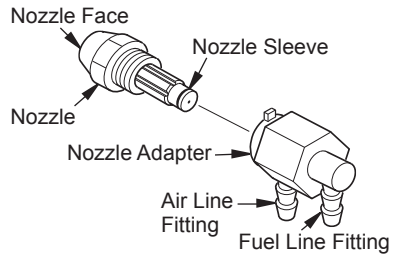


Figure 26 - Nozzle and Nozzle Adapter

SERVICE PROCEDURES

Continued

FUEL AND AIR LINE REPLACEMENT AND PROPER ROUTING

1. Remove upper shell (see *Upper Shell Removal*, page 10).
2. Remove side cover screws using 5/16" nut driver (see Figure 19 or 20, page 11).
3. Remove side cover.
4. Inspect fuel and air line hoses for cracks and/or holes. If fuel line hose is damaged, disconnect from nozzle adapter (see Figure 23 or 24) and from fuel filter (see *Fuel Filter*, page 11). If air line hose is damaged, disconnect from nozzle adapter (see Figure 23, page 12 or Figure 24, page 13) and from barb fitting on pump end cover (see Figure 27).
5. Install new air and/or fuel line. Attach one end of air line hose to barb fitting on pump end cover (see Figure 27) and the other end to nozzle adapter (see Figure 23, page 12 or Figure 24, page 13). Attach one end of fuel line hose to fuel filter (see *Fuel Filter*, page 11) and the other end to nozzle adapter (see Figure 23, page 12 or Figure 24, page 13).

Note: Route hoses as shown in Figure 23, page 12 or Figure 24, page 13, according to model. Hoses are not to touch photocell bracket.

6. Replace side cover.
7. Replace upper shell and fan guard (see *Upper Shell Removal*, page 10).

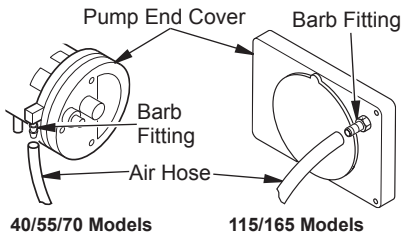


Figure 27 - Air Hose to Barb Fitting

PUMP ROTOR

(Procedure if Rotor is Binding)

1. Remove upper shell (see *Upper Shell Removal*, page 10).
2. Remove filter end cover screws using 5/16" nut driver (see Figure 28 or 29).
3. Remove filter end cover and air filters.
4. Remove pump plate screws using 5/16" nut-driver.
5. Remove pump plate.
6. Remove rotor, insert, and blades (see Figure 28 or 29).
7. Check for debris in pump. If debris is found, blow out with compressed air.
8. Install insert and rotor.
9. Check gap on rotor. Adjust to .076/.101 mm (.003"/.004") if needed (see Figure 30, page 15).
Note: Rotate rotor one full turn to ensure the gap is .076/.101 mm (.003"/.004") at tightest position. Adjust if needed.
10. Install blades, pump plate, air filters, and filter end cover.
11. Replace fan guard and upper shell (see *Upper Shell Removal*, page 10).
12. Adjust pump pressure (see *Pump Pressure Adjustment*, page 11).

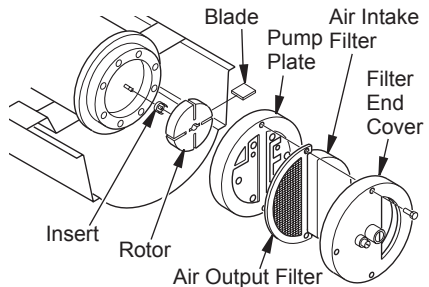


Figure 28 - Rotor Location, 40/55/70 Models

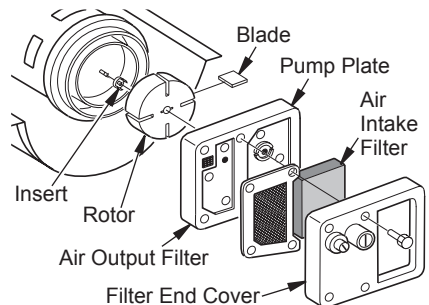


Figure 29 - Rotor Location, 115/165 Models

SERVICE PROCEDURES

Continued

Note: If rotor is still binding, proceed as follows.

13. Perform steps 1 through 6.
14. Place fine grade sandpaper (600 grit) on flat surface. Sand rotor lightly in "figure 8" motion four times (see Figure 31).
15. Reinstall insert and rotor.
16. Perform steps 10 through 12.

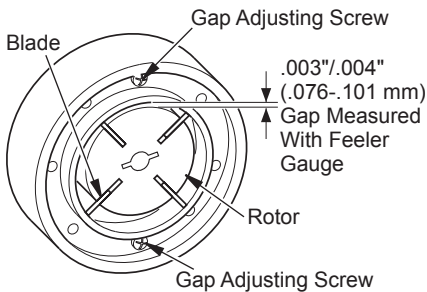


Figure 30 - Gap Adjusting Screw Locations

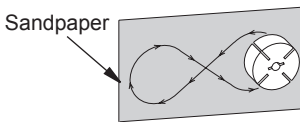


Figure 31 - Sanding Rotor

IGNITION CONTROL ASSEMBLY

⚠ WARNING: High voltage!

1. Unplug heater.
2. Remove side cover screws (4) using 5/16" nut-driver to expose ignition control assembly.
3. Remove fuse cover (see Figure 32).
4. Remove fuse from fuse clips (see Figure 32).
5. Replace fuse with fuse of the same type and rating (GMA-10). Do not substitute a fuse with a higher current rating.
6. Replace fuse cover (see Figure 32).
7. Replace side cover (see Figures 19 or 20, page 11).

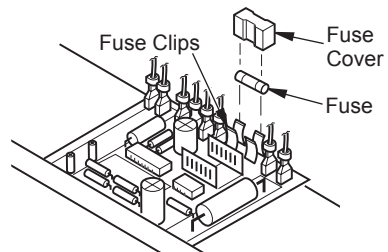


Figure 32 - Replacing Fuse

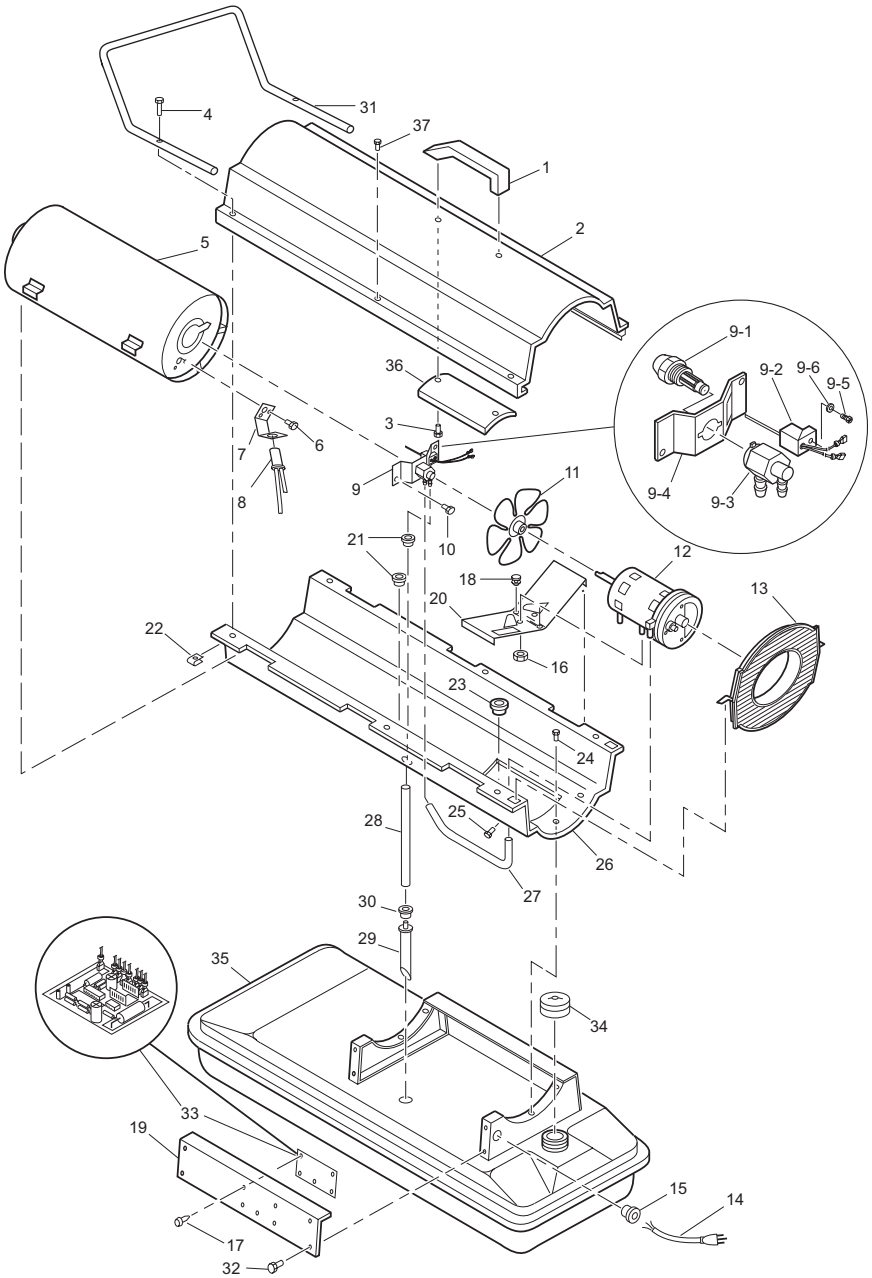
SPECIFICATIONS

Model Size	40	55	70	115	165
Output Rating (Btu/Hr)	40,000	55,000	70,000	115,000	165,000
Fuel	Use only kerosene, #1/#2 diesel/fuel oil, JET A or JP-8 fuels*				
Fuel Tank Capacity (U.S. Gal./Liters)	3/11.3	5/18.9	5/18.9	9/34	13.5/51
Fuel Consumption (Gal. Per Hr/Liters Per Hr)	.3/1.14	.44/1.67	.52/1.97	.85/3.00	1.2/4.54
Pump Pressure (psi)	3.0	3.4	4.7	5.1	5.6
Electric Requirements	120 V/60 HZ (Same All Models)				
Amperage (Normal Run)	2.0	2.0	2.8	3.6	3.6
Motor RPM	1725	1725	3440	3440	3440
Hot Air Output (CFM)	170	180	360	490	575
Shipping Weight (Approximate lbs./kg)	32/14.5	35/15.9	35/15.9	54/24.5	65/29.5
Heater Weight without Fuel (Approximate lbs./kg)	28/12.2	30/14	30/14	46/21	55/25

* Use of #2 diesel & fuel oil will result in noticeable odor and could require additional fuel filter maintenance. Use in extreme cold temperatures may require nontoxic anti-icer additives.

ILLUSTRATED PARTS BREAKDOWN

MODELS BC40 AND RC40



PARTS LIST

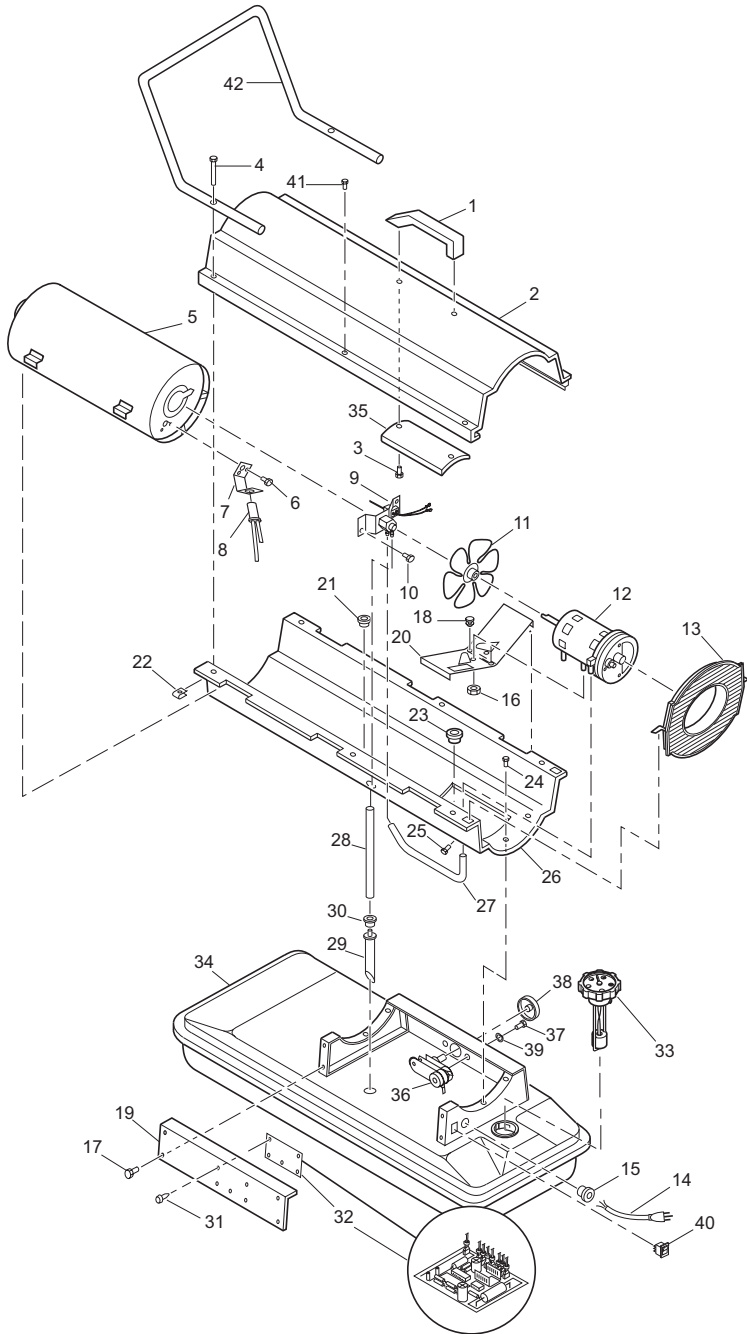
MODELS BC40 AND RC40

This list contains replaceable parts used in your heater. When ordering parts, be sure to provide the correct model and serial numbers (from the model plate), then the part number and description of the desired part.

KEY NO.	PART NUMBER	DESCRIPTION	QTY.
1	M51104-01	Handle	1
2	098511-67	Upper Shell (Service Part Will Be Black)	1
3	M11084-29	Screw, #10-16 x 3/4"	2
4	108631-01	Screw, #10-16 x 1"	2
5	098512-58	Combustion Chamber	1
6	M10908-2	Screw, #6-32 x 3/8"	2
7	103154-03	Photocell Bracket	1
8	M16656-24	Photocell Assembly	1
9	(see page 22)	Burner Head Assembly	1
10	M11084-26	Screw, #10-16 x 3/8"	2
11	103684-01	Fan	1
12	(see page 22)	Motor	1
13	M51105-01	Fan Guard	1
14	098219-38	Power Cord	1
15	M11143-1	Strain Relief Bushing	1
16	NTC-4C	Hex Lock Nut, 1/4-20	2
17	M11084-26	Screw, #10-16 x 3/8"	4
18	M50631	Rubber Bumper	2
19	097461-09	Side Cover	1
20	101205-01	Motor Bracket	1
21	M30865-02	Bushing	2
22	M11271-8	Clip Nut	6
23	M50104-02	Bushing	1
24	M11084-26	Screw, #10-16 x 3/8"	6
25	M10908-14	Screw, #8-32 x 3/8"	1
26	098511-234	Lower Shell (Service Part will be Black)	1
27	M50814-06	Rubber Airline	1
28	079973-01	Fuel Line	1
29	M50876-04	Fuel Filter with bushing	1
30	M10990-3	Rubber Bushing	1
31	079532-01	Guard, Nose Cone	1
32	102349-01	PCB Support	5
33	104068-02	Ignition Control Assembly	1
34	097702-01	Fuel Cap (Includes Gasket)	1
35	108088-01	Fuel Tank	1
36	M51108-01	Shell Heat-Shield	1
37	M15823-27	Screw, #10-16 x 1/2"	4
PARTS AVAILABLE - NOT SHOWN			
	103814-01	Wire Tie	1
	105550-01	Warning/Maintenance Decal	1
	105550-02	Warning/Maintenance Decal	1

ILLUSTRATED PARTS BREAKDOWN

MODELS BC55CT, RC55CT, UKC55CT, BC70ET, RC70ET AND UKC70ET



PARTS LIST

MODELS BC55CT, RC55CT, UKC55CT, BC70ET, RC70ET AND UKC70ET

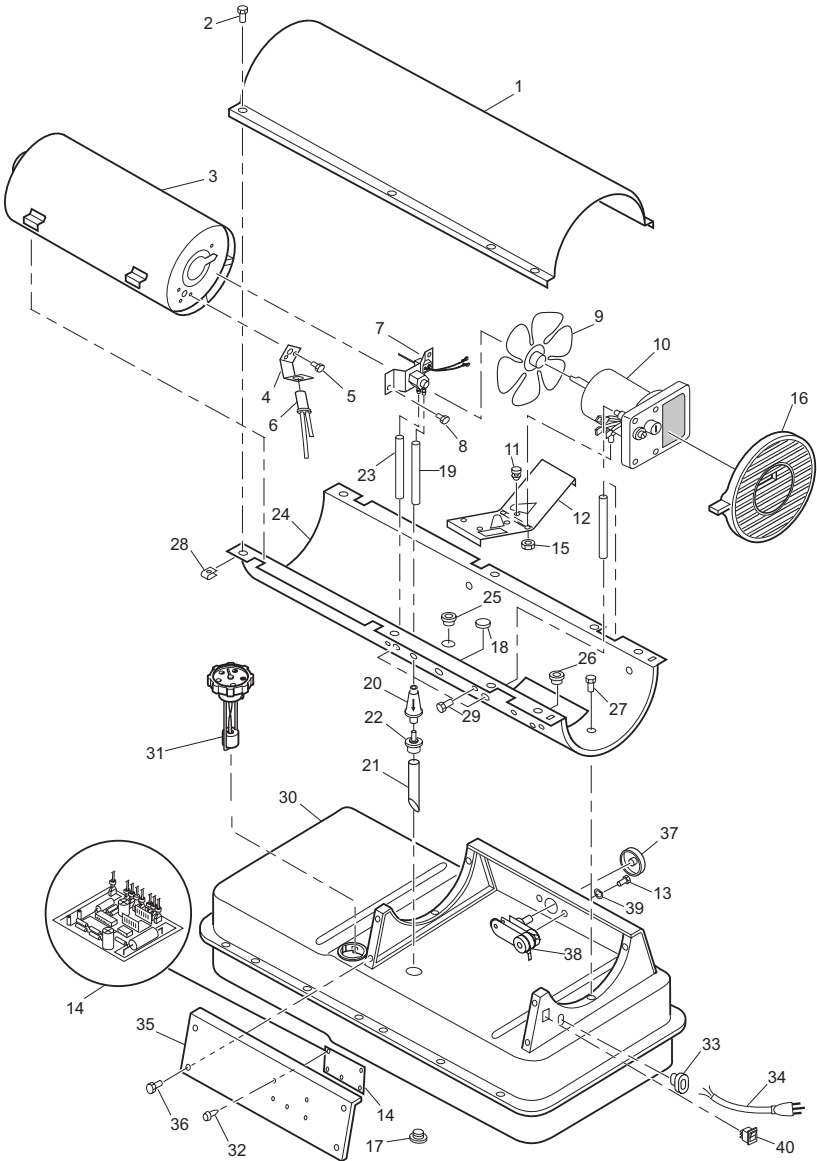
This list contains replaceable parts used in your heater. When ordering parts, be sure to provide the correct model and serial numbers (from the model plate), then the part number and description of the desired part.

KEY NO.	PART NUMBER	DESCRIPTION	QTY.
1	M51104-01	Handle	1
2	098511-67	Upper Shell (Service Part Will Be Black)	1
3	M11084-29	Screw, #10-16 x 3/4"	2
4	108631-01	Screw, #10-16 x 1"	2
5	098512-50	Combustion Chamber (55)	1
	098512-51	Combustion Chamber (70)	1
6	M10908-2	Screw, #6-32 x 3/8"	2
7	103154-03	Photocell Bracket	1
8	M16656-24	Photocell Assembly	1
9	(see page 22)	Burner Head Assembly	1
10	M11084-26	Screw, #10-16 x 3/8"	2
11	103684-01	Fan (55)	1
	M29678	Fan (70)	1
12	(see page 22)	Motor and Pump Assembly	1
13	M51105-01	Fan Guard	1
14	113065-01	Power Cord	1
15	M11143-1	Strain Relief Bushing	1
16	NTC-4C	Hex Lock Nut, 1/4-20	2
17	M11084-26	Screw, #10-16 x 3/8"	8
18	M50631	Rubber Bumper	2
19	097461-16	Side Cover	2
20	101205-01	Motor Bracket	1
21	M50104-06	Bushing	1
22	M11271-8	Clip Nut	6
23	M50104-02	Bushing	1
24	M11084-26	Screw, #10-16 x 3/8"	6
25	M10908-14	Screw, #8-32 x 3/8"	1
26	098511-234	Lower Shell (Service Part Will Be Black)	1
27	M50814-06	Rubber Airline	1
28	079973-01	Fuel Line	1
29	M50876-05	Fuel Filter with bushing	1
30	M10990-3	Rubber Bushing	1
31	102349-01	PCB Support	5
32	104068-02	Ignition Control Assembly	1
33	113280-01	Fuel Cap w/ Gauge (includes Gasket) (Use with Fuel Tank 113279-01)	1
34	113279-01	Fuel Tank (Plastic Filler Neck)	1
35	M51108-01	Shell Heat-Shield	1
36	104458-01	Thermostat	1
37	M12461-18	Screw, #8-32 x 7/8"	1
38	104460-01	Thermostat Knob	1
39	WLE-2	Lock Washer, EXT #8	1
40	113461-01	ON/OFF Switch	1
41	M15823-27	Screw #10-16 x 1/2"	4
42	079532-01	Nose Cone Guard	1
PARTS AVAILABLE - NOT SHOWN			
	103814-01	Wire Tie (For Ignition Control Assembly)	1
	M9900-170	Wire Assembly (Thermostat to Ignition Control Assembly)	1
	079010-46	Wire Assembly (Connects Switch to Thermostat or Ignition Control)	1

ILLUSTRATED PARTS BREAKDOWN

MODELS

BC115DT, RC115DT, UKC115DT, BC165DT, RC165DT AND UKC165DT



PARTS LIST

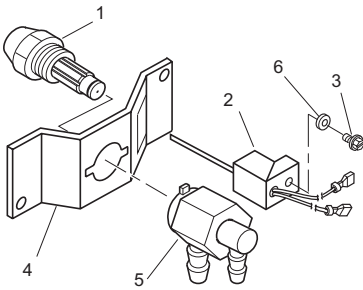
MODELS BC115DT, RC115DT, UKC115DT, BC165DT, RC165DT AND UKC165DT

This list contains replaceable parts used in your heater. When ordering parts, be sure to provide the correct model and serial numbers (from the model plate), then the part number and description of the desired part.

KEY NO.	PART NUMBER	DESCRIPTION	QTY.
1	098511-292	Upper Shell (Service Part Will Be Black)	1
2	M15823-27	Screw, #10-16 x 1/2"	8
3	098512-71	Combustion Chamber (115)	1
	098512-75	Combustion Chamber (165)	1
4	103154-05	Photocell Bracket (115)	1
	M16660-02	Photocell Bracket (165)	1
5	M10908-2	Screw, #6-32 x 3/8"	2
6	M16656-24	Photocell Assembly	1
7	(See page 22)	Burner Head Assembly	1
8	M11084-26	Screw, #10-16 x 3/8"	2
9	097293-01	Fan (115)	1
	102042-01	Fan (165)	1
10	(See page 23)	Motor and Pump Assembly	1
11	M50631	Rubber Bumper	2
12	101206-01	Motor Mounting Bracket	1
13	M12461-18	Screw, #8-32 x 7/8"	1
14	104068-02	Ignition Control Assembly	1
15	NTC-4C	Hex Lock Nut, 1/4-20	2
16	111037-01	Fan Guard	1
17	M27417	Drain Plug (Includes "o" Ring)	1
18	107878-02	Button Plug	1
19	M51345-06	Fuel Line	1
20	106896-01	Fuel Filter	1
21	M51151-01	Fuel Line Tube (115)	1
	M51151-02	Fuel Line Tube (165)	1
22	M10990-3	Rubber Bushing	1
23	M50814-03	Airline	1
24	098511-293	Lower Shell (Service Part Will Be Black)	1
25	M50104-06	Bushing	1
26	M50104-01	Bushing	1
27	M11084-26	Screw, #10-16 x 3/8"	6
28	M11271-8	Clip Nut	8
29	M10908-14	Screw, #8-32 x 3/8"	1
30	113279-02	Fuel Tank 115	1
	113279-03	Fuel Tank 165	1
31	113280-02	Fuel Cap w/ Gauge (includes Gasket) 115	1
	113280-03	Fuel Cap w/ Gauge (includes Gasket) 165	1
32	102349-01	P.C. Board Support	5
33	M11143-1	Strain Relief Bushing	1
34	113065-01	Power Cord	1
35	M51077-18	Side Cover	2
36	M11084-26	Screw, #10-16 x 3/8"	8
37	104460-01	Thermostat Knob	1
38	104458-01	Thermostat	1
39	WLE-2	Lock Washer, EXT #8	1
40	113461-01	ON/OFF Switch with Light	1
	103814-01	Wire Tie (Not Shown - Groups wires connected to Ignition Control Assembly)	1
	M9900-77	Wire (Not Shown - Connects T-stat to Ignition Control Assembly)	1
	079010-46	Wire (Not Shown - Connects ON/OFF Switch to Ignition Control Assembly or Thermostat if Equipped)	1

ILLUSTRATED PARTS BREAKDOWN

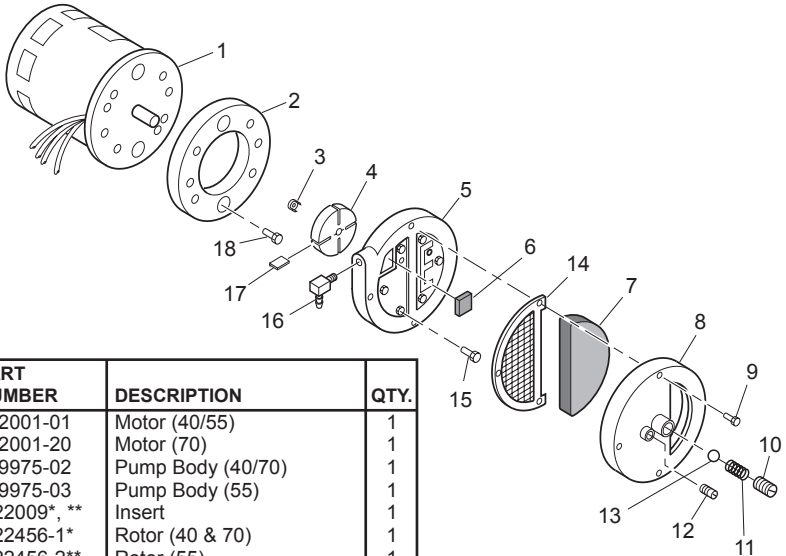
BURNER HEAD ASSEMBLY



KEY NO.	PART NUMBER	DESCRIPTION	QTY.
1	HA3006	Nozzle Assembly (40)	1
	HA3024	Nozzle Assembly (55)	1
	HA3026	Nozzle Assembly (70)	1
	HA3027	Nozzle Assembly (115)	1
	HA3028	Nozzle Assembly (165)	1
	HA1000	Ignitor Kit	1
3	M10908-75	Screw, #6-32 x 7/8"	1
4	102336-01	Nozzle Adapter Bracket	1
5	104056-01	Nozzle Adapter (40)	1
	104054-01	Nozzle Adapter (55/70/115/165)	1
6	103347-01	Washer	1

MOTOR AND PUMP ASSEMBLY MODELS

BC40, RC40, BC55CT, RC55CT, UKC55CT, BC70ET, RC70ET AND UKC70ET



KEY NO.	PART NUMBER	DESCRIPTION	QTY.
1	102001-01	Motor (40/55)	1
	102001-20	Motor (70)	1
2	079975-02	Pump Body (40/70)	1
	079975-03	Pump Body (55)	1
3	M22009*, **	Insert	1
4	M22456-1*	Rotor (40 & 70)	1
	M22456-2**	Rotor (55)	1
5	M29608	Pump End Cover	1
6	M29632***	Lint Filter	1
7	M29633***	Intake Filter	1
8	M29609	Filter End Cover	1
9	M12461-31	Screw, #10-32 x 1"	3
10	M27694 ∞	Adjusting Screw	1
11	M10993-1 ∞	Pressure Relief Spring	1
12	M22997 ∞	Plug	1
13	M8940 ∞	Steel Ball, 1/4" Diameter	1
14	M29612-01***	Output Filter	1
15	M12461-31	Screw, #10-32 x 1" (40/70)	6
	M12461-32	Screw, #10-32 x 1 1/8" (55)	6
16	103676-01	Nylon Elbow, 90°	1
17	M8643*	Blade (40/70)	4
	M8643-2**	Blade (55)	4
18	FHPF3-5C	Screw (40/70)	2
	FHPF3-6C	Screw (55)	2

* Included in Rotor Kit (Part No. HA3004)

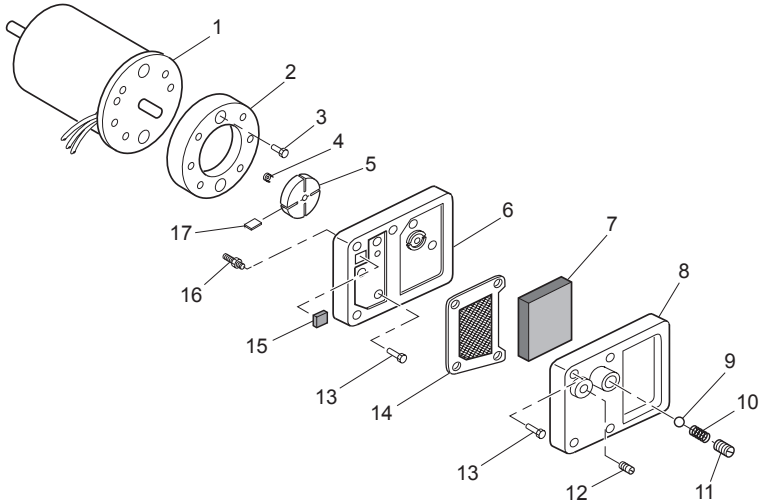
** Included in Rotor Kit (Part No. HA3005)

*** Included in Filter Kit (Part No. HA3014)

∞ Included in Pump Adjustment Kit (Part No. HA3020)

ILLUSTRATED PARTS BREAKDOWN

MODELS BC115DT, RC115DT, UKC115DT, BC165DT, RC165DT AND UKC165DT

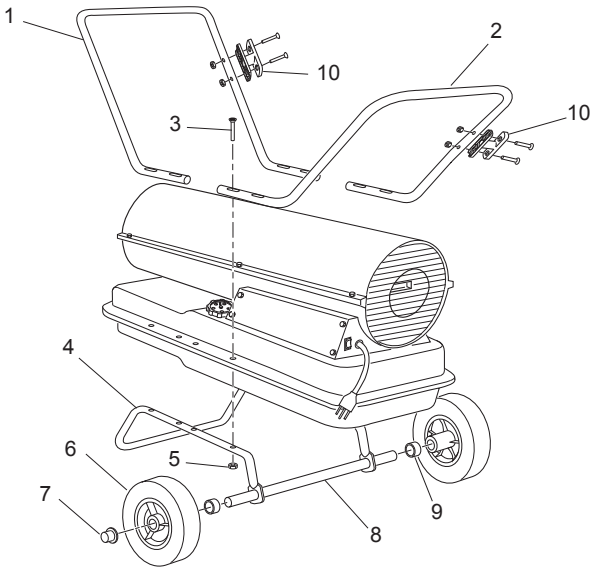


KEY NO.	PART NUMBER	DESCRIPTION	QTY.
1	102001-30	Motor	1
2	079975-02	Pump Body	1
3	FHPF3-5C	Screw, #10-32 x 5/8"	2
4	M22009**	Rotor Insert	1
5	M22456-1**	Pump Rotor	1
6	M50545	Pump End Cover	1
7	M12179**	Intake Filter	1
8	M16545	Filter End Cover	1
9	M8940**	Steel Ball, 1/4" Diameter	1
10	M10993-1**	Relief Spring	1
11	M27694**	Adjusting Screw	1
12	M22997**	Plug	1
13	M12461-31	Screw, #10-32 x 1"	10
14	M12244-1**	Output Filter	1
15	M11637**	Lint Filter	1
16	M50820-02	Barb Fitting	1
17	M8643**	Blade	4

** Included in Rotor Kit (Part No. HA3004)

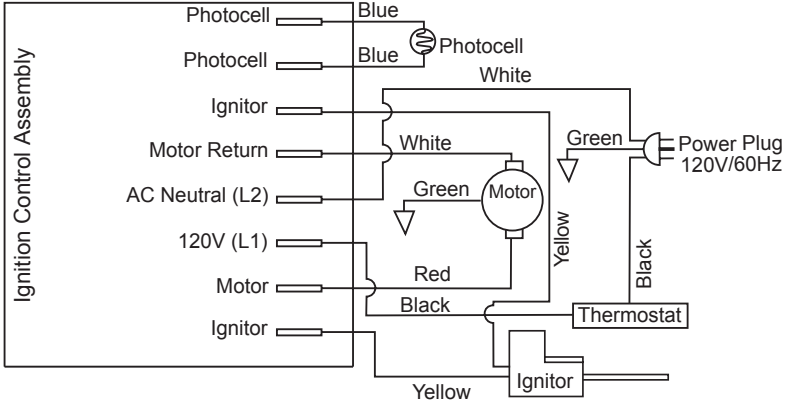
ILLUSTRATED PARTS BREAKDOWN

WHEELS AND HANDLE PARTS LIST

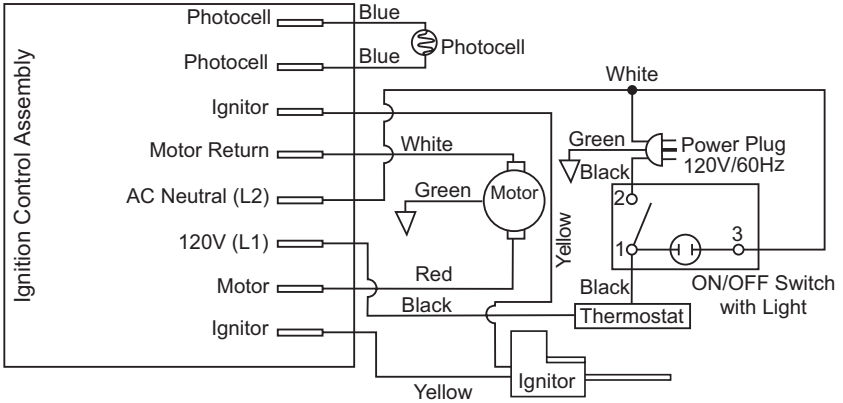


KEY NO.	PART NUMBER		DESCRIPTION	QTY.
	115 MODELS	165 MODELS		
1	079998-02	099614-01	Handle, Front	1
2	M51334-02	099614-02	Handle, Rear (if provided)	1
3	M12345-33	M12345-33	Screw, #10-24 x 1 3/4"	8
4	M12342-3	M12831-5	Wheel Support Frame	1
5	NTC-3BZ	NTC-3BZ	Hex Nut, #10-24	8
6	107426-01	—	Wheel Kit (115) (Contains 2 Black Wheels and Cap Nuts)	1
	—	113326-01	Pneumatic Wheel Kit (165) (Contains 2 Black Wheels, Cap Nuts, & Spacers)	1
7	M28526	M28526	Cap Nut	2
8	M51015-01	M16801-5	Axle	1
9	—	113497-01	Wheel Spacer (165 only)	2
10	113193-01	113193-01	Cord Cleat Kit (if provided) (Contains 2 Cleats, 4 Nuts and 4 Bolts)	1

WIRING DIAGRAMS



(40 Models)



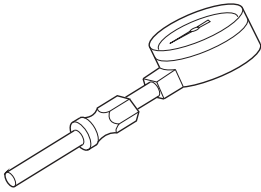
(55/70/115/155/165 Models)

Figure 33 - Wiring Diagrams

ACCESSORIES

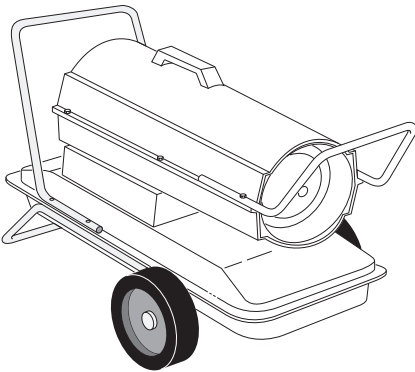
Heater accessories and parts are available at your local dealer. Should your dealer not stock or is unable to order a particular accessory or part, please contact DESA Industries for more information.

DESA Industries of Canada, Inc.
2220 Argentia Road, Unit #4
Mississauga, Ontario L5N 2K7
Parts Department
1-905-826-8010



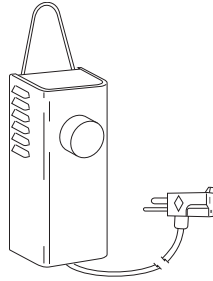
AIR GAUGE KIT - HA1180

For all models. Special tool to check pump pressure.



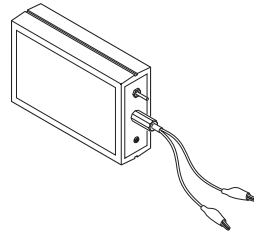
HEAVY DUTY WHEELS AND HANDLE KIT - HA1202

For heavy duty applications. Makes your heater even more portable and convenient. Fits 40/55/70 models.



THERMOSTAT KIT - HA1210

For 40 model. Keeps your building at the temperature you select day and night. Helps economize on fuel.



IGNITION CONTROL ASSEMBLY/ PHOTOCELL TESTER - HA1170

Special tool used to test the ignition control assembly and photocell.

WARRANTY AND REPAIR SERVICE

KEEP THIS WARRANTY

Model No. _____

Serial No. _____

Date of Purchase _____

LIMITED WARRANTIES FOR NEW AND FACTORY RECONDITIONED PRODUCTS

New Products: DESA Industries warrants this heater and any parts thereof, to be free of defects in materials and workmanship for one (1) year from the date of first purchase, when operated and maintained in accordance with the manufacturer's instructions. These warranties are extended only to the original retail purchaser, when proof of purchase is provided.

Factory Reconditioned Heaters: DESA Industries warrants this factory reconditioned heater and any parts thereof, to be free of defects in materials and workmanship for thirty (30) days from the date of first purchase, when operated and maintained in accordance with the manufacturer's instructions. These warranties are extended only to the original retail purchaser, when proof of purchase is provided.

These warranties cover only the cost of parts and labor required to restore the product to proper operating condition. Transportation and incidental costs associated with warranty repairs are not reimbursable under this warranty.

Warranty service is available only through authorized dealers and service centers.

This warranty does not cover defects resulting from misuse, abuse, negligence, accidents, lack of proper maintenance, normal wear, alteration, modification, tampering, contaminated fuels, repair using improper parts or repair by anyone other than an authorized dealer or service center. Routine maintenance is the responsibility of the owner.

THIS EXPRESS WARRANTY IS GIVEN IN LIEU OF ANY OTHER WARRANTY EITHER EXPRESSED OR IMPLIED, INCLUDING WARRANTIES OF MERCHANTABILITY AND FITNESS FOR A PARTICULAR PURPOSE.

DESA Industries assumes no responsibility for indirect, incidental or consequential damages. Some states do not allow the exclusion or limitation of incidental or consequential damages or limitations or exclusions may not apply to you. This Limited Warranty gives you specific legal rights and you may also have other rights which vary from province to province.

WARRANTY SERVICE

Should your heater require service, return it to your nearest authorized service center. Proof of purchase must be presented with the heater. The heater will be inspected. A defect may be caused by faulty materials or workmanship. If so, DESA Industries will repair or replace the heater without charge.

REPAIR SERVICE

Return the heater to your nearest authorized service center. Each Service Center is independently owned and operated. Repairs not covered by the warranty will be billed at standard prices. We reserve the right to amend these specifications at any time without notice.

Illustrated parts lists can be obtained free of charge. Send a self-addressed stamped envelope to the address listed below. List the heater model number and the date located in the lower right corner of this page. A service manual may be purchased from the address listed below. Send a cheque for \$5.00 payable to DESA Industries.

When writing for information regarding your heater, be sure to include the model number and serial number as shown on the model plate.



INDUSTRIES OF CANADA, INC.

2220 Argentia Road, Unit #4

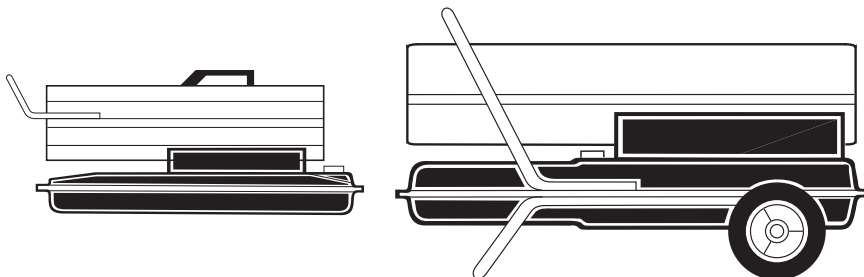
Mississauga, Ontario L5N 2K7

(905) 826-8010

Fax (905) 826-8236



APPAREILS DE CHAUFFAGE CANADIENS PORTABLES À AIR FORCÉ MANUEL D'UTILISATION



MODÈLES : BC40, RC40, BC55CT, RC55CT, UKC55CT, BC70ET, RC70ET, UKC70ET, BC115DT, RC115DT, UKC115DT, BC165DT, RC165DT ET UKC165DT

TAILLES DE L'APPAREIL DE CHAUFFAGE : MODÈLES 40/55/70/115/165,000 BTU/H SÉRIES H.S.I.

IMPORTANT : lisez et comprenez ce manuel avant d'assembler, d'allumer ou de réparer l'appareil de chauffage. Une mauvaise utilisation de l'appareil de chauffage peut causer des blessures graves. Conservez ce manuel pour référence future.

TABLE DES MATIÈRES

Information relative à la sécurité	2	Entreposage, transport ou expédition	7
Déballage	3	Calendrier d'entretien préventif	8
Identification du produit	3	Dépannage	8
Carburants	4	Procédures d'entretien	10
Ventilation	4	Spécifications	15
Théorie de fonctionnement.....	4	Vue détaillée et liste des pièces	16
Assemblage.....	5	Diagrammes de câblage	25
Fonctionnement.....	6	Accessoires	26
Fonctionnement avec générateur portable.....	7	Service de garantie et de réparation	Dos

À remplir pour vos dossiers

Numéro de modèle _____
(situé sur le panneau latéral)


Numéro de série _____
(situé sur le réservoir de carburant)

Date de l'achat : _____




**Conservez ce mode d'emploi pour consultation future.
Pour plus de détails, visitez le site www.desatech.com**

INFORMATION RELATIVE À LA SÉCURITÉ

 **AVERTISSEMENT** : cet appareil contient ou produit des produits chimiques déterminés par l'État de Californie comme cancérigènes et pouvant causer des malformations congénitales et d'autres problèmes liés à la reproduction.

IMPORTANT : lisez attentivement et entièrement ce manuel d'utilisation avant de tenter d'assembler, de faire fonctionner ou de réparer cet appareil de chauffage. Une mauvaise utilisation de cet appareil de chauffage peut causer de graves blessures, voire la mort, suite à des brûlures, un incendie, une explosion, une décharge électrique ou un empoisonnement au monoxyde de carbone.

 **DANGER** : l'empoisonnement au monoxyde de carbone peut être mortel !

Empoisonnement au monoxyde de carbone : les premiers symptômes d'un empoisonnement au monoxyde de carbone ressemblent à la grippe avec des maux de tête, des vertiges ou de la nausée. Si vous avez ces symptômes, il se pourrait que l'appareil de chauffage ne fonctionne pas bien. **Respirez tout de suite de l'air frais !** Faites réparer l'appareil de chauffage. Certaines personnes sont plus affectées par le monoxyde de carbone que d'autres. Celles-ci comprennent les femmes enceintes, les personnes souffrant de maladies cardiaques ou pulmonaires ou d'anémie, celles qui sont en état d'ébriété et celles qui vivent à haute altitude.

Lisez et comprenez tous les avertissements. Conservez ce manuel pour consultation future. Il vous permettra de faire fonctionner cet appareil de chauffage correctement et en toute sécurité.

1. Utilisez seulement du kérosène, du diesel ou du mazout n° 1 ou n° 2 ou des carburants JET A ou JP-8 afin d'éviter tout risque d'incendie ou d'explosion. N'utilisez jamais d'essence, de naphte, de solvant à peinture, d'alcool ou autre combustible hautement inflammable.
2. Alimentation en carburant
 - a) Le personnel responsable de l'alimentation en carburant doit être qualifié et complètement familier avec les instructions du fabricant et avec les règlements en vigueur concernant l'alimentation en carburant des appareils de chauffage.

- b) Il faut utiliser seulement le type de carburant indiqué sur la plaque signalétique de l'appareil de chauffage.
- c) Avant de procéder à l'alimentation en carburant, il faut éteindre toute flamme, y compris la veilleuse, le cas échéant, et permettre à l'appareil de chauffage de se refroidir.
- d) Pendant l'alimentation, il faut inspecter toutes les canalisations de carburant et leurs connexions pour vérifier s'il y a des fuites. Toute fuite doit être réparée avant de remettre en marche l'appareil de chauffage.
- e) Il ne faut jamais entreposer à l'intérieur du bâtiment une quantité de carburant supérieure à celle nécessaire pour une journée près de l'appareil de chauffage. Les réserves de carburant doivent demeurer à l'extérieur du bâtiment.
- f) Tout stockage de combustible doit être situé à plus de 7,62 m (25 pi) des appareils de chauffage, des chalumeaux, des appareils de soudage et autres sources d'allumage similaires (sauf le réservoir de carburant intégré à l'appareil de chauffage).
- g) Dans la mesure du possible, l'entreposage du carburant doit se limiter aux endroits où le plancher ne permettra pas au carburant de se répandre ou d'être allumé par une flamme à un niveau inférieur.
- h) L'entreposage du carburant doit se conformer aux règlements en vigueur.

3. N'utilisez que la tension et la fréquence électrique indiquées sur la plaque signalétique.
4. L'appareil de chauffage doit être mis à la terre. N'utilisez qu'une rallonge électrique trifilaire avec mise à la terre. Ne le branchez que dans une prise avec mise à la terre.
5. N'utilisez que dans des endroits libres de vapeur inflammable et de poussière.
6. Distance minimale de tout matériau combustible : 2,44 m (8 pi) de toute sortie d'air chaud, 1,22 m (4 pi) du dessus et 1,22 m (4 pi) des côtés et de l'admission d'air.
7. Placez l'appareil de chauffage sur une surface stable et de niveau lorsqu'il est chaud ou lorsqu'il est en marche, pour éviter tout risque d'incendie.
8. Ne l'utilisez que dans des endroits bien aérés. Pour utiliser l'appareil de chauffage, il doit y avoir une ouverture sur l'extérieur d'au moins 0,28 m² (3 pi²) pour chaque 30 kW (100 000 BTU/h) de puissance.
9. Gardez toujours les enfants et les animaux éloignés de l'appareil de chauffage.
10. Ne mettez jamais en marche l'appareil de chauffage lorsque la chambre de combustion est chaude ou si du carburant s'y est accumulé.
11. Lorsque utilisé avec un thermostat, l'appareil de chauffage peut démarrer à tout moment.
12. Lorsque l'appareil est déplacé ou entreposé, il doit demeurer de niveau avec le sol pour éviter des fuites de carburant.
13. Utilisez l'appareil de chauffage en respectant les règlements et les normes locales.
14. N'utilisez jamais d'essence, d'huile de vidange de carter, de naphte, de solvant à peinture, d'alcool ou autre combustible hautement inflammable.

INFORMATION RELATIVE À LA SÉCURITÉ *Suite*

- N'utilisez jamais l'appareil de chauffage dans des endroits où de l'essence, du solvant à peinture ou d'autres vapeurs hautement inflammables sont présents.
- N'utilisez jamais cet appareil de chauffage dans une zone d'habitation ou dans une chambre à coucher.
- Ne laissez jamais un appareil de chauffage branché sans supervision lorsque des enfants ou des animaux pourraient être présents.
- Ne déplacez, ne manipulez, ne remplissez et ne réparez jamais un appareil de chauffage chaud, en fonctionnement ou branché.
- N'installez jamais de tuyauterie de ventilation à l'avant ou à l'arrière de l'appareil de chauffage.
- N'attachez jamais l'appareil de chauffage à un réservoir de carburant externe.
- Les appareils de chauffage utilisés près de bâches de protection en plastique, en tissu ou en matériaux similaires doivent être placés à une distance adéquate de ces matériaux. La distance minimale de sécurité recommandée est de 3,05 m (10 pi). De plus, il est conseillé d'utiliser des bâches de protection ignifuges. Ces matériaux doivent être solidement attachés pour les empêcher de s'enflammer ou de nuire à l'appareil de chauffage sous l'action du vent.
- Débranchez l'appareil lorsqu'il n'est pas utilisé.
- Ne bloquez jamais l'entrée d'air (à l'arrière) ou la sortie d'air (à l'avant) de l'appareil de chauffage.

DÉBALLAGE

- Enlevez le matériau d'emballage appliqué sur l'appareil de chauffage pour son expédition.
- Retirez toutes les pièces de l'emballage.
- Inspectez toutes les pièces pour voir si elles ont été endommagées pendant le transport. Si l'appareil de chauffage est endommagé, informez-en au plus vite le revendeur où vous l'avez acheté.

IDENTIFICATION DU PRODUIT

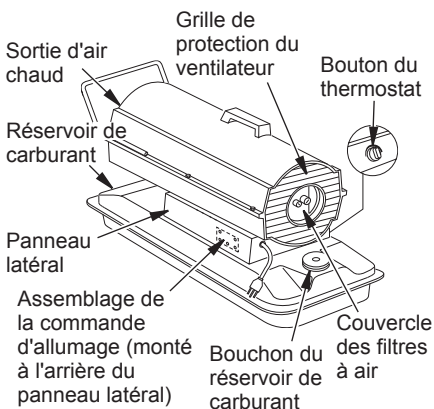


Figure 1 - Modèle 40

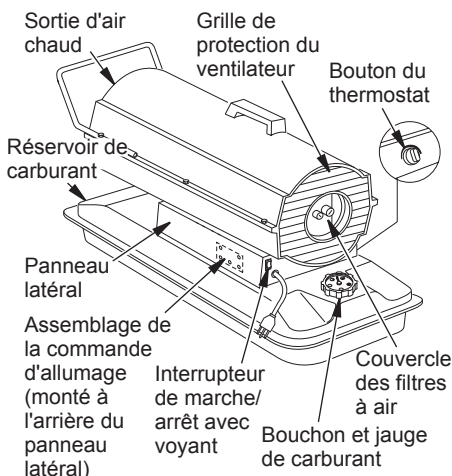


Figure 2 - Modèle 55/70

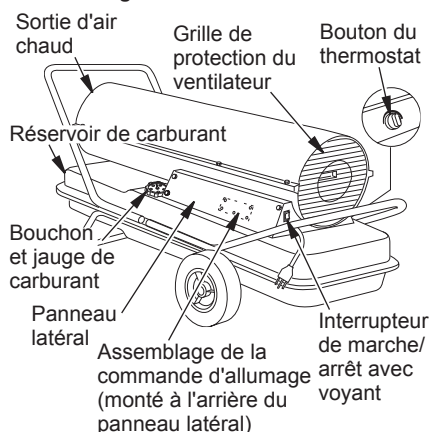


Figure 3 - Modèle 115

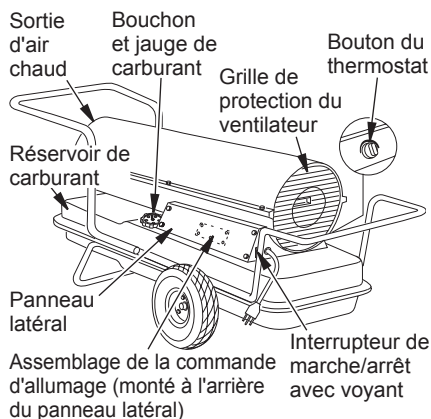


Figure 4 - Modèle 165

CARBURANTS

⚠ AVERTISSEMENT : n'utilisez que du kérosène, du diesel ou du mazout n° 1 ou n° 2, ou des combustibles JET A ou JP-8 afin d'éviter tout risque d'incendie ou d'explosion. N'utilisez jamais d'essence, d'huile de vidange de carter, de naphte, de solvants à peinture, d'alcool ou d'autres carburants hautement inflammables.

N'utilisez que du kérosène, du diesel ou du mazout n° 1 ou n° 2 ou du carburant JET A ou JP-8. Des combustibles plus lourds, comme le mazout n° 2 ou le carburant diesel n° 2, peuvent également être employés, mais il en résultera :

- la production d'une odeur particulière
- l'entretien supplémentaire du filtre à combustible
- le besoin d'utiliser des additifs antigivrants non toxiques par temps très froid

N'utilisez pas de combustibles plus lourds que ceux de calibre n° 2 ou d'huiles lourdes telles que celles provenant de carters de moteurs. Ces huiles lourdes ne brûleront pas bien et contamineront l'appareil de chauffage.

IMPORTANT : n'utilisez que des contenants POUR LE KÉROSÈNE (bleu) ou POUR LE DIESEL (jaune) pour entreposer le carburant. Assurez-vous que le contenant d'entreposage est propre. La présence de matières étrangères

telles que la rouille, les saletés ou l'eau provoquera une panne de l'assemblage de la commande d'allumage de l'appareil de chauffage. La présence de matières étrangères exigera aussi que le système de carburant de l'appareil de chauffage soit nettoyé plus souvent.

VENTILATION

⚠ AVERTISSEMENT : prévoyez une ouverture sur l'extérieur d'au moins 0,28 m² (3 pi²) pour chaque 100 000 BTU/h de puissance. Fournissez davantage d'air frais si plus d'un appareil de chauffage est utilisé. Il faut respecter les exigences minimales de ventilation pour éviter les risques associés à l'empoisonnement au monoxyde de carbone. Vérifiez que ces exigences sont respectées avant de mettre l'appareil de chauffage en marche.

Exemple : un appareil de 58,6 kW (200 000 BTU/h) exige l'une des ouvertures suivantes :

- une double porte de garage [ouverture de 4,88 m (16 pi)] soulevée de 12,7 cm (5 po)
- une porte de garage simple [ouverture de 2,74 m (9 pi)] soulevée de 20,3 cm (8 po)
- deux fenêtres de 76,2 cm (30 po) soulevées de 38,1 cm (15 po)

THÉORIE DE FONCTIONNEMENT

Système d'alimentation en carburant : la pompe à air force l'air dans la canalisation. L'air est ensuite poussé à travers la buse d'aération. Cet air fait en sorte que du carburant est aspiré du réservoir. Une fine brume de carburant est vaporisée dans la chambre de combustion.

Système d'admission d'air : le moteur fait tourner le ventilateur. Le ventilateur pousse l'air à l'intérieur et autour de la chambre de combustion. L'air est chauffé et fournit un courant d'air propre et chaud.

Circuit d'allumage : l'assemblage de la commande d'allumage fournit le courant à l'allumeur. Cela allume le mélange de carburant et d'air dans la chambre de combustion.

Système de contrôle de l'extinction de la flamme : ce système provoque l'arrêt de l'appareil de chauffage en cas d'extinction de la flamme.

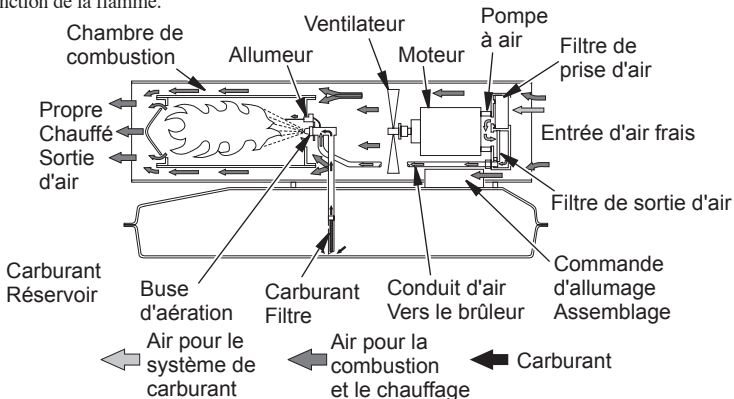


Figure 5 - Vue opérationnelle en coupe transversale

ASSEMBLAGE

(POUR LES MODÈLES 40, 55 ET 70 UNIQUEMENT)

Ces modèles sont équipés d'un déflecteur conique de protection. Le déflecteur conique de protection et les vis de montage se trouvent dans le carton d'expédition.

Outils nécessaires

- Clef à écrou de 5/16 po ou clef
1. Mettez le déflecteur conique de protection au dessus du collet de l'habillage supérieur. Assurez-vous que le déflecteur conique de protection est sur l'extrémité de sortie d'air chaud de l'appareil de chauffage.
 2. Insérez les vis dans le déflecteur conique de protection et le collet de l'habillage supérieur.
 3. Resserrez les vis fermement.

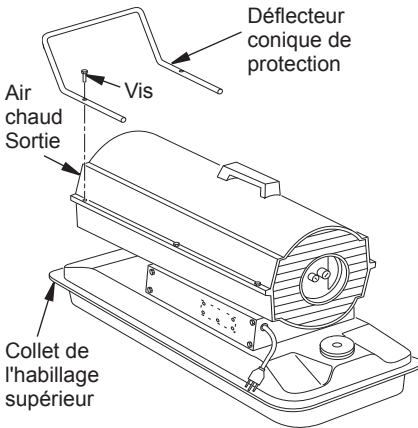


Figure 6 - Assemblage du déflecteur conique de protection, modèles 40/55/70 uniquement

(POUR LES MODÈLES 115 ET 165 UNIQUEMENT)

Ces modèles sont équipés de roues et d'une poignée. Certains modèles sont équipés d'une seconde poignée. Les roues, la ou les poignées, et les pièces de montage se trouvent dans le carton d'expédition.

Outils nécessaires

- Tournevis cruciforme moyen
- Clef à molette ou ouverte de 3/8 po
- Marteau

1. Faites glisser l'essieu par l'armature de montage des roues. Si des entretoises de roues sont fournies, installez-les. Installez les roues sur l'essieu.

IMPORTANT : en installant les roues, pointez le moyeu le plus long des roues vers l'armature de montage des roues (voir figure 7).

2. Placez des écrous borgnes aux extrémités de l'essieu. Tapez doucement avec un marteau pour les fixer solidement.
3. Déposez l'appareil de chauffage sur l'armature de montage des roues. Alignez les trous qui se trouvent sur le rebord du réservoir de carburant avec ceux qui se trouvent sur l'armature de montage des roues. Assurez-vous que les roues sont montées sous l'entrée d'air de l'appareil de chauffage.
4. Placez la ou les poignées sur le rebord du réservoir de carburant. Insérez les vis à travers la ou les poignées, le rebord du réservoir de carburant et l'armature de montage des roues. Une fois la vis insérée, vissez l'écrou avec vos doigts. Dans le cas où une seule poignée est fournie, assurez-vous de la monter vers l'extrémité de sortie de l'appareil de chauffage.
5. Quand toutes les vis sont insérées, serrez les écrous fermement.

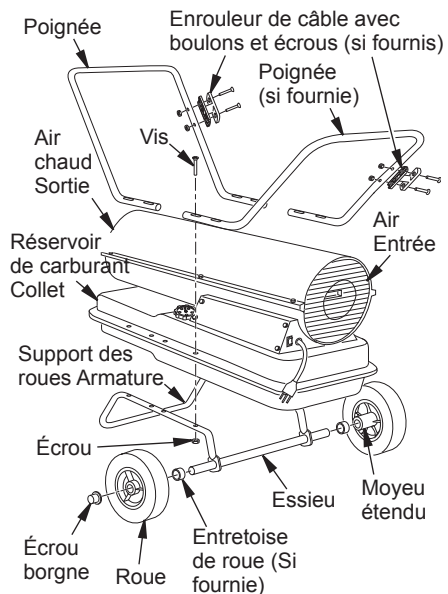


Figure 7 - Assemblage de la roue et de la poignée, modèles 115/165 uniquement

FONCTIONNEMENT

IMPORTANT : lisez et comprenez les avertissements de la rubrique *Information relative à la sécurité* de la page 2. Ils sont requis pour faire fonctionner cet appareil de chauffagesans danger. Conformez-vous à tous les règlements et codes locaux lorsque vous utilisez cet appareil de chauffage.

POUR ALLUMER L'APPAREIL DE CHAUFFAGE

1. Suivez toutes les consignes sur la ventilation et la sécurité.
2. Placez l'appareil de chauffage de façon à fournir une circulation maximale d'air chaud. Suivez toutes les exigences d'emplacement précisées à la rubrique *Information relative à la sécurité* de la page 2.
3. Remplissez le réservoir de carburant avec du kérosène, du diesel ou du mazout n °1 ou n °2 ou du carburant d'aviation JET A ou JP-8.
4. Remplacez le bouchon du réservoir de carburant.
5. Sur les modèles à thermostat, tournez le bouton du thermostat dans le sens des aiguilles d'une montre pour le mettre au plus chaud.
6. Branchez le câble d'alimentation de l'appareil de chauffage dans une rallonge électrique trifilaire approuvée avec mise à la terre. La rallonge électrique doit mesurer au moins 1,80 m (6 pi).

Exigences des dimensions de la rallonge électrique

De 1,8 à 3 m de long (6 à 10 pi), utilisez un cordon de norme américaine 18 AWG (0,75 mm²)

De 3,3 m à 30,5 m de long, utilisez un câble 16 AWG (1,0 mm²)

De 30,8 m à 61 m de long, utilisez un câble 14 AWG (1,5 mm²)

7. Branchez la rallonge électrique dans une prise de terre ordinaire de 120 volt/60 hertz avec mise à la terre. **Remarque :** Pour un appareil de chauffage sans interrupteur de marche/arrêt, l'allumeur préchauffera pour cinq secondes puis l'appareil de chauffage s'allumera.

Remarque : Pour un appareil de chauffage avec interrupteur de marche/arrêt, mettez l'interrupteur sur la position ON(I) et l'appareil de chauffage devrait s'allumer en 5 secondes. Si l'appareil de chauffage ne s'allume pas, consultez la rubrique *Dépannage*, page 9.

8. Pour les modèles à thermostat, réglez le bouton du thermostat à la position désirée. **Remarque :** un appareil de chauffage froid peut affecter le réglage du thermostat. Ce thermostat sert de commande générale de la chaleur. Il n'est pas conçu pour un contrôle précis de la température. Ajustez le thermostat jusqu'à ce que le cycle de l'appareil de chauffage soit réglé selon vos besoins.

POUR ARRÊTER L'APPAREIL DE CHAUFFAGE

Sans l'interrupteur de marche/arrêt

Débranchez la rallonge de la prise.

Avec l'interrupteur de marche/arrêt

Appuyez sur l'interrupteur de marche/arrêt pour le mettre sur arrêt (O). Débranchez l'appareil lorsqu'il n'est pas utilisé.

POUR RALLUMER L'APPAREIL DE CHAUFFAGE

Sans l'interrupteur de marche/arrêt

1. Débranchez la rallonge de la prise et attendez 10 secondes. (attendez deux minutes si l'appareil de chauffage était en train de fonctionner).
2. Répétez les étapes de la rubrique *Pour allumer l'appareil de chauffage*.

Avec l'interrupteur de marche/arrêt

1. Appuyez sur l'interrupteur de marche/arrêt pour le mettre sur arrêt (O) et attendez 10 secondes (ou 2 minutes si l'appareil de chauffage fonctionnait).
2. Répétez les étapes de la rubrique *Pour allumer l'appareil de chauffage*.

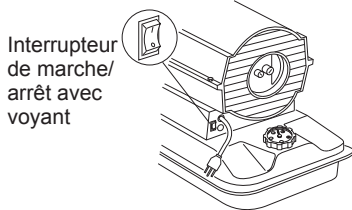


Figure 8 - Interrupteur de marche/arrêt des modèles 55/70

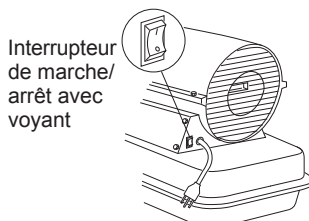


Figure 9 - Interrupteur de marche/arrêt des modèles 115/165

FONCTIONNEMENT AVEC GÉNÉRATEUR PORTABLE

⚠ AVERTISSEMENT : avant de faire fonctionner l'appareil de chauffage ou n'importe quel appareil à l'aide d'un générateur portable, vérifier que ce dernier a été mis à la terre correctement. Un générateur dont la mise à la terre est défectueuse ou inexistante pourrait entraîner une électrocution en cas de défaut de mise à la terre. Consultez le manuel d'utilisation fourni par le fabricant du générateur pour des procédures de mise à la terre.

La plage de tension du fonctionnement de l'appareil de chauffage est comprise entre 108 et 132 volts (120 volts +/- 10 %). Avant de brancher l'appareil de chauffage dans le générateur, il faut vérifier la tension de sortie (si le générateur est doté de la fonction de ralenti automatique, la tension de sortie doit être mesurée pendant que le générateur tourne à pleine vitesse). Si la tension mesurée se trouve en dehors de cette plage, on ne doit pas brancher l'appareil sur le générateur.

Consultez la rubrique *Fonctionnement* de la page 6 pour les procédures de démarrage, d'arrêt et de réinitialisation de l'appareil de chauffage.

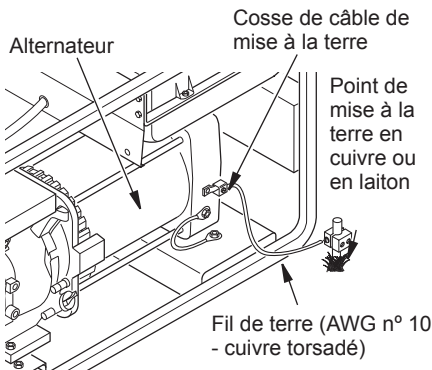


Figure 10 - Méthode typique de mise à la terre du générateur (la construction du générateur pourrait être différente de l'illustration)

ENTREPOSAGE, TRANSPORT OU EXPÉDITION

Remarque : si l'appareil doit être expédié, les compagnies de transport exigent que les réservoirs de carburant soient vides.

1. Videz le réservoir de carburant. *Remarque :* certains modèles ont des bouchons de vidange en dessous du réservoir de carburant. Dans ce cas, retirez le bouchon de vidange pour vider tout le carburant. Si l'appareil de chauffage n'a pas de bouchon de vidange, videz le carburant par l'ouverture du bouchon du réservoir. Assurez-vous que tout le carburant a été retiré.
2. Remettez le bouchon de vidange en place si nécessaire.
3. Si vous voyez des débris dans le vieux carburant, ajoutez un ou deux litres de kérosène propre dans le réservoir, remuez et vidangez de nouveau. Ceci empêchera l'excès de débris de bloquer les filtres à l'avenir.
4. Remettez le bouchon du réservoir de carburant ou le bouchon de vidange en place. Débarrassez-vous adéquatement du vieux carburant souillé. Renseignez-vous auprès des postes d'essence des environs qui recyclent de l'huile.
5. Si vous l'entrezposez, laissez l'appareil de chauffage dans un endroit sec. Assurez-vous que l'endroit où vous l'entrezposez est libre de poussières et de vapeurs corrosives.

IMPORTANT : n'entrezposez pas le kérosène pendant les mois d'été pour l'utiliser pendant la saison de chauffage suivante. L'utilisation de vieux carburant pourrait endommager l'appareil de chauffage.

CALENDRIER D'ENTRETIEN PRÉVENTIF

⚠ AVERTISSEMENT : ne faites jamais l'entretien de l'appareil de chauffage pendant qu'il est branché, en marche ou brûlant. Des brûlures et des chocs électriques graves peuvent se produire.

Article	Fréquence	Comment
Réservoir de carburant	Effectuez une vidange toutes les 150 à 200 heures d'opération ou au besoin	Voir <i>Entreposage, Transport ou Expédition</i> , page 7
Filtres de sortie d'air et de peluches	Remplacez toutes les 500 heures d'opération ou une fois par année	Voir <i>Filtres de sortie d'air, de prise d'air et de peluches</i> , page 10
Filtre de prise d'air	Lavez et séchez avec du savon et de l'eau toutes les 500 heures d'opération ou au besoin	Voir <i>Filtres de sortie d'air, de prise d'air et de peluches</i> , page 10
Filtre à combustible	Nettoyez deux fois par saison de chauffage ou au besoin	Voir <i>Filtre à carburant</i> , page 11
Allumeur	Aucun entretien requis	
Pales de ventilateur	Nettoyez chaque saison ou au besoin	Voir <i>Ventilateur</i> , page 10
Moteur	Non requis/lubrifié en permanence	

DÉPANNAGE

⚠ AVERTISSEMENT : ne faites jamais l'entretien de l'appareil de chauffage pendant qu'il est branché, en marche ou brûlant. Des brûlures et des chocs électriques graves peuvent se produire.

ÉTAT DE LA PANNE	CAUSE POSSIBLE	SOLUTION
Le moteur ne démarre pas cinq secondes après que l'appareil de chauffage est branché	1. Pas de courant se rendant à l'appareil de chauffage	1. Vérifiez le disjoncteur du panneau électrique
	2. L'interrupteur de marche/arrêt n'est pas sur marche (I)	2. Vérifiez que l'interrupteur de marche/arrêt est sur marche (I) et que le voyant est allumé
	3. Le réglage du thermostat est trop bas	3. Tournez la poignée du thermostat vers un réglage plus élevé

⚠ AVERTISSEMENT : haute tension !

4. Une mauvaise connexion entre l'assemblage de la commande d'allumage et le moteur ou entre l'assemblage de la commande d'allumage et le cordon d'alimentation	4. Vérifiez toutes les connexions électriques. Voir <i>Diagramme de câblage</i> , page 25
5. Blocage du rotor de la pompe	5. Si le ventilateur ne tourne pas librement, voir <i>Rotor de pompe</i> , page 14
6. Assemblage de la commande d'allumage défectueux	6. Remplacez l'assemblage de la commande d'allumage
7. Moteur défectueux	7. Remplacez le moteur
8. Fusible grillé ou assemblage de la commande d'allumage défectueuse	8. Voir <i>Assemblage de la commande d'allumage</i> , page 15

DÉPANNAGE

Suite

ÉTAT DE LA PANNE	CAUSE POSSIBLE	SOLUTION
Le moteur démarre et fonctionne mais l'appareil de chauffage ne s'allume pas	1. Pas de carburant dans le réservoir	1. Remplissez le réservoir avec du kérosène
	2. Mauvaise pression à la pompe	2. Voir <i>Ajustement de la pression de la pompe</i> , page 11
	3. Filtre à combustible sale	3. Voir <i>Filtre à carburant</i> , page 11
	4. Obstruction dans la buse d'aération	4. Voir <i>Assemblage de la buse d'aération</i> , page 13
	5. De l'eau dans le réservoir de carburant	5. Faites une vidange du réservoir de carburant avec du kérosène propre. Voir <i>Entreposage, Transport ou Expédition</i> , page 7



AVERTISSEMENT : haute tension !

- | | |
|---|---|
| 6. Mauvaise connexion électrique entre l'allumeur et l'assemblage de la commande d'allumage | 6. Vérifier toutes les connexions électriques. Voir <i>Diagramme de câblage</i> , page 25 |
| 7. Allumeur défectueux | 7. Remplacer l'allumeur, voir page 12 |
| 8. Assemblage de la commande d'allumage défectueux | 8. Remplacez l'assemblage de la commande d'allumage |

L'appareil de chauffage s'allume mais l'assemblage de la commande d'allumage l'éteint peu de temps après	1. Mauvaise pression à la pompe	1. Voir <i>Ajustement de la pression de la pompe</i> , page 11
	2. Filtres de sortie d'air, de prise d'air ou de peluches encrassés	2. Voir <i>Filtres de sortie d'air, de prise d'air et de peluches</i> , page 10
	3. Filtre à combustible sale	3. Voir <i>Filtre à carburant</i> , page 11
	4. Obstruction dans la buse d'aération	4. Voir <i>Assemblage de la buse d'aération</i> , page 13
	5. Assemblage de cellule photoélectrique mal installé (ne voit pas la flamme)	5. Assurez-vous que le raccord de la cellule photoélectrique est bien installé dans le support
	6. Lentille de cellule photoélectrique encrassée	6. Nettoyez la lentille de la cellule photoélectrique



AVERTISSEMENT : haute tension !

- | | |
|---|---|
| 7. Mauvaise connexion électrique entre la cellule photoélectrique et l'assemblage de la commande d'allumage | 7. Vérifiez toutes les connexions électriques. Voir <i>Diagramme de câblage</i> , page 25 |
| 8. Cellule photoélectrique défectueuse | 8. Remplacez la cellule photoélectrique |
| 9. Assemblage de la commande d'allumage défectueux | 9. Remplacez l'assemblage de la commande d'allumage |

PROCÉDURES D'ENTRETIEN

AVERTISSEMENT : afin d'éviter tout risque de brûlures et de chocs électriques, ne jamais tenter de faire l'entretien de l'appareil de chauffage pendant qu'il est branché, en marche ou brûlant.

RETRAIT DE LA PARTIE SUPÉRIEURE DE L'HABILLAGE

1. Retirez les vis le long de chaque côté de l'appareil de chauffage à l'aide d'un tourne-écrou de 5/16 po. Ces vis raccordent les habillages supérieur et inférieur. Voir figure 11 ou 12.
2. Soulevez l'habillage supérieur.
3. Retirez la grille de protection du ventilateur.

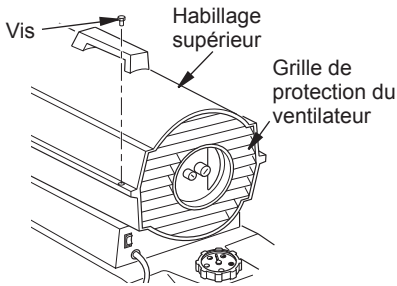


Figure 11 - Retrait de la partie supérieure de l'habillage modèles 40/55/70 uniquement

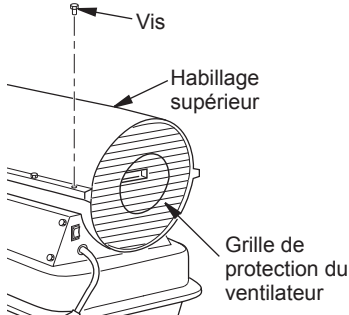


Figure 12 - Retrait de la partie supérieure de l'habillage modèles 115/165 uniquement

VENTILATEUR

IMPORTANT : retirez le ventilateur de l'arbre moteur avant de retirer le moteur de l'appareil de chauffage. Le poids du moteur reposant sur le ventilateur pourrait endommager l'angle des pales (voir figure 13).

1. Retirez l'habillage supérieur (voir figure 11 ou 12).
2. Utilisez une clef hexagonale de 1/8 po pour desserrer la vis d'arrêt qui retient le ventilateur à l'arbre moteur.
3. Glissez le ventilateur pour le libérer de l'arbre moteur.

4. Nettoyez le ventilateur à l'aide d'un linge doux humidifié avec du kérosène ou du diluant.
5. Séchez le ventilateur complètement.
6. Remplacez le ventilateur sur l'arbre moteur. Placez le moyeu du ventilateur pour qu'il soit au même niveau que l'extrémité de l'arbre moteur (voir figure 14).
7. Placez la vis d'arrêt sur le côté plat de l'arbre. Serrez bien la vis [4,5 à 5,6 n-m (40 à 50 pouce-livre)].
8. Remettez la grille de protection du ventilateur et l'habillage supérieur en place.

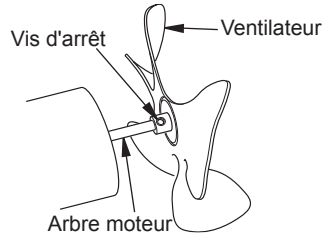


Figure 13 - Emplacement du ventilateur, de l'arbre moteur et des vis d'arrêt

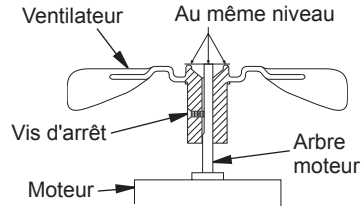


Figure 14 - Coupe transversale du ventilateur

FILTRES DE SORTIE D'AIR, DE PRISE D'AIR ET DE PELUCHES

1. Retirez l'habillage supérieur (voir figure 11 ou 12).
2. Retirez les vis du couvercle des filtres à l'aide d'un tourne-écrou de 5/16 po (voir figure 15 ou 16, page 11).
3. Retirez le couvercle des filtres.
4. Remplacez les filtres de sortie d'air et de peluches.
5. Lavez ou remplacez le filtre de prise d'air (voir *Calendrier d'entretien préventif*, page 8).

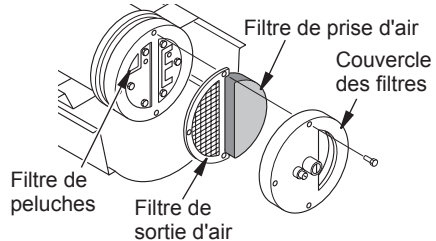


Figure 15 - Filtrés de sortie d'air, de prise d'air et de peluches, modèle 40/55/70 uniquement

PROCÉDURES D'ENTRETIEN

Suite

- Remplacez le couvercle des filtres.
- Remettez la grille de protection du ventilateur et l'habillage supérieur en place.

IMPORTANT : ne huilez pas les filtres.

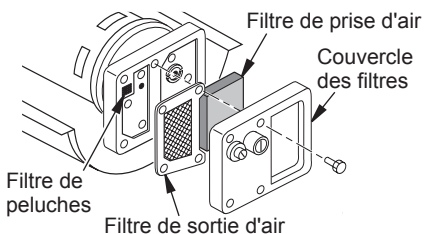


Figure 16 - Filtres de sortie d'air, de prise d'air et de peluches, modèle 115/165 uniquement

AJUSTEMENT DE LA PRESSION DE LA POMPE

- Retirez le bouchon de jauge de pression du couvercle des filtres (voir figure 17).
- Installez la jauge accessoire de pression (numéro de pièce HA1180).
- Allumez l'appareil de chauffage (voir *Fonctionnement*, page 6). Laissez le moteur atteindre sa pleine vitesse.
- Ajustez la pression. Tournez la soupape de sûreté vers la droite afin d'augmenter la pression. Tournez la soupape de sûreté vers la gauche afin de diminuer la pression. Voir les spécifications de chaque modèle pour avoir une pression correcte (voir figure 18).
- Retirez la jauge de pression. Remettez le bouchon de la jauge de pression dans le couvercle des filtres.

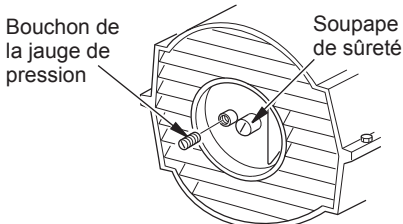


Figure 17 - Retrait du bouchon de la jauge de pression (montrant le modèle 70)

Pression	Pompe typique	Jauge de pression
40	3,0 lb/po	
55	3,4 lb/po	
70	4,7 lb/po	
115	5,1 lb/po	
165	5,6 lb/po	

Figure 18 - Ajustement de la pression de la pompe (Montrant le modèle 70)

FILTRE À CARBURANT

- Retirez les vis du panneau latéral avec un tourne-écrou de 5/16 po.
- Retirez le panneau latéral.
- Dégagez la conduite de carburant supérieure du collet du filtre à carburant (voir figure 19 ou 20).
- Retirez soigneusement la bague, le filtre à carburant et la conduite de carburant inférieure (modèles 115/165 uniquement) du réservoir de carburant (voir figure 20).
- Lavez le filtre à carburant avec du carburant propre et remplacez-le dans le réservoir.
- Attachez la conduite de carburant supérieure au cou du filtre à carburant.
- Remettez le panneau latéral en place.

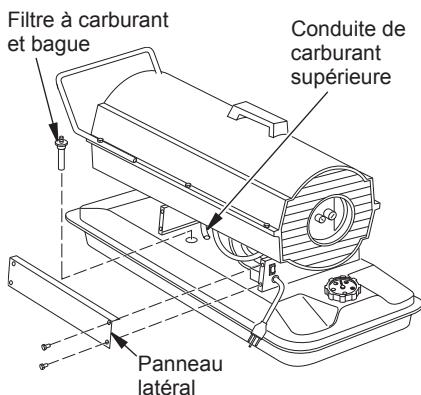


Figure 19 - Retrait du filtre à carburant Modèles 40/55/70

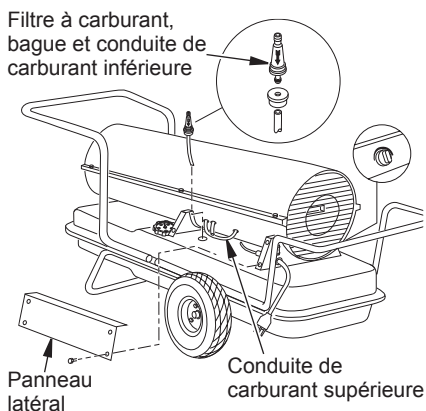


Figure 20 - Retrait du filtre à carburant Modèles 115/165

PROCÉDURES D'ENTRETIEN

Suite

ALLUMEUR

1. Retirez l'habillage supérieur et la grille de protection du ventilateur (voir *Retrait de l'habillage supérieur*, page 10).
2. Retirez le ventilateur, (voir page 10).
3. Retirez les 4 vis du panneau latéral avec un tourne-écrou de 5/16 po. Retirez le panneau latéral (voir figure 19 ou 20, page 11).
4. Débranchez les fils d'allumage de l'assemblage de la commande d'allumage (voir figure 21). Tirez sur les fils d'allumage par le trou de la partie inférieure de l'habillage.
5. Débranchez le tuyau de la conduite de carburant et le tuyau de la conduite d'air. Retirez la cellule photoélectrique de son support (voir figure 21).
6. Retirez la chambre de combustion. Posez la chambre de combustion debout avec le support de l'adaptateur de la buse d'aération sur le dessus (voir figure 22).
7. Retirez la vis de l'allumeur à l'aide d'un tourne-écrou de 1/4 po. Retirez soigneusement l'allumeur du support de l'adaptateur de la buse d'aération.

ATTENTION : ne pliez et ne frappez pas l'élément de l'allumeur. Manipulez-le avec soin.

8. Sortez soigneusement le nouvel allumeur de son emballage.
9. Guidez délicatement l'allumeur dans l'ouverture du support de l'adaptateur de la buse d'aération. Ne frappez pas l'élément de l'allumeur. Attachez l'allumeur au support de l'adaptateur de la buse d'aération avec la vis à l'aide d'un tourne-écrou de 1/4 po (voir figure 23, page 13). Serrez avec un couple de 0,90 à 1,69 N-m (8 à 15 pouce-livre). Ne serrez pas excessivement.
10. Remplacez la chambre de combustion.
11. Acheminez les fils d'allumage de nouveau vers le bas par le trou de l'habillage inférieur. Branchez les fils à l'assemblage de la commande d'allumage (voir figure 22).
12. Remettez le panneau latéral en place (voir figure 19 ou 20, page 11).

13. Branchez et acheminez le tuyau de la conduite de carburant et le tuyau de la conduite d'air jusqu'à l'assemblage de l'adaptateur de la buse d'aération. Voir *Remplacement et acheminement des conduites de carburant et d'air*, page 14.
14. Remplacez la cellule photoélectrique dans le support de cellule photoélectrique. Acheminez les fils en suivant la figure 23 ou 24, page 13.
15. Remplacez le ventilateur, (voir page 10).
16. Remettez la grille de protection du ventilateur et l'habillage supérieur en place (voir page 10).

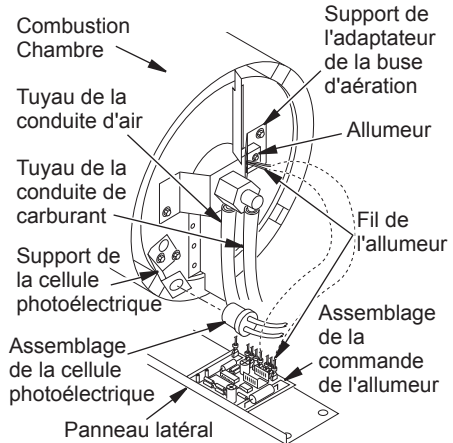


Figure 21 - Débranchement des fils de l'allumeur de l'assemblage de la commande d'allumage

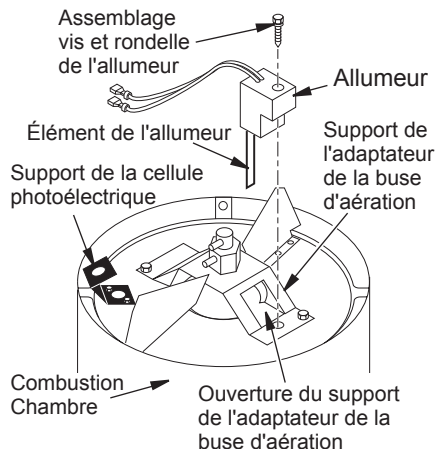


Figure 22 - Remplacement de l'allumeur

PROCÉDURES D'ENTRETIEN

Suite

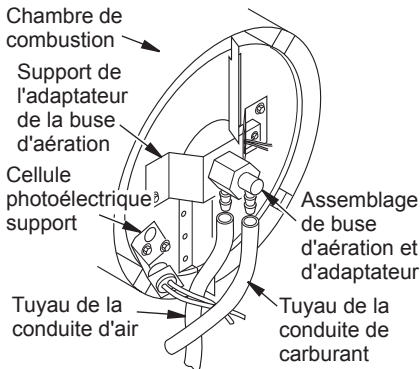


Figure 23 - Retrait des tuyaux de conduite de carburant et d'air (modèles 40/55/70 seulement)

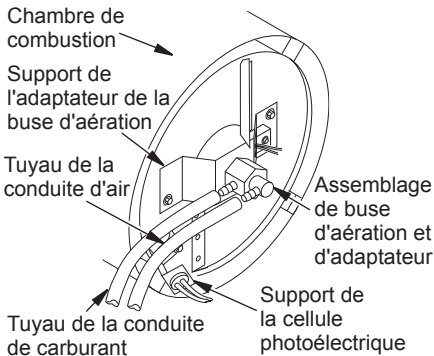


Figure 24 - Retrait des tuyaux de conduite de carburant et d'air (modèles 115/165 seulement)

ASSEMBLAGE DE LA BUSE D'AÉRATION

1. Retirez l'habillage supérieur (voir *Retrait de l'habillage supérieur*, page 10).
2. Retirez le ventilateur, (voir *Ventilateur*, page 10).
3. Retirez les tuyaux de conduite de carburant et d'air de l'assemblage de la buse d'aération (voir figure 23 ou figure 24).
4. Tournez l'assemblage de la buse d'aération d'un quart de tour vers la gauche et tirez-le vers le moteur pour l'enlever (voir figure 25).
5. Placez le corps de plastique hexagonal dans un étau et serrez légèrement.

6. Retirez délicatement la buse d'aération de son adaptateur à l'aide d'une clef à douille de 5/8 po (voir figure 26).
7. Soufflez de l'air comprimé par l'avant de la buse d'aération. Ceci libérera la poussière de la buse.
8. Inspectez la gaine de la buse pour tout dommage.
9. Remplacez la buse d'aération dans son adaptateur jusqu'à ce que la buse soit bien en place. Serrez un tiers de tour de plus à l'aide d'une clef à douille de 5/8 po entre 4,5 et 5,1 N-m (40 à 45 pouce-livre). Voir figure 26.
10. Attachez l'assemblage de la buse d'aération à l'armature du brûleur (voir figure 25).
11. Attachez les tuyaux de conduite de carburant et de conduite d'air à l'assemblage de la buse d'aération. Voir *Remplacement et acheminement des conduites de carburant et d'air*, page 14.
12. Remettez le ventilateur en place (voir *Ventilateur*, page 10).
13. Remettez la grille de protection du ventilateur et l'habillage supérieur en place (voir *Retrait de l'habillage supérieur*, page 10).

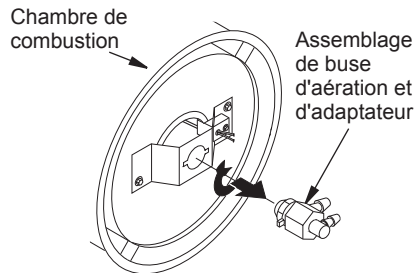


Figure 25 - Retrait de l'assemblage de buse d'aération et d'adaptateur

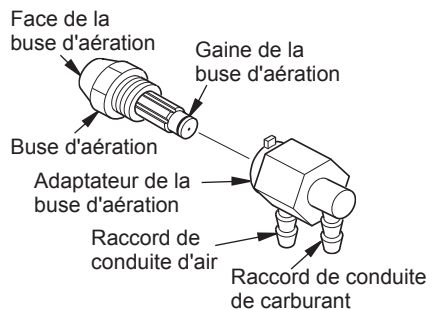


Figure 26 - Buse d'aération et son adaptateur

PROCÉDURES D'ENTRETIEN

Suite

REPLACEMENT ET ACHEMINEMENT DES CONDUITES DE CARBURANT ET D'AIR

1. Retirez l'habillage supérieur (voir *Retrait de l'habillage supérieur*, page 10).
2. Retirez les vis du panneau latéral à l'aide d'un tourne-écrou de 5/16 po (voir figure 19 ou 20, page 11).
3. Retirez le panneau latéral.
4. Inspectez les tuyaux de la conduite de carburant et d'air pour des fissures ou des trous. Si le tuyau de la conduite de carburant est endommagé, débranchez-le de l'adaptateur de la buse d'aération (voir figure 23 ou 24) ainsi que du filtre à carburant (voir *Filtre à carburant*, page 11). Si le tuyau de conduite d'air est endommagé, débranchez-le de l'adaptateur de la buse d'aération (voir figure 23 ou figure 24, page 13, selon le modèle) ainsi que du raccord cannelé sur le couvercle de bout de pompe (voir figure 27).
5. Installez une nouvelle conduite de carburant ou une nouvelle conduite d'air. Attachez une extrémité du tuyau de la conduite d'air au raccord cannelé sur le couvercle de bout de pompe (voir figure 27) et l'autre extrémité à l'adaptateur de la buse d'aération (voir figure 23 ou figure 24, page 13, selon le modèle). Attachez une extrémité du tuyau de conduite de carburant au filtre de carburant (voir *Filtre de carburant*, page 11) et l'autre extrémité à l'adaptateur de la buse d'aération (voir figure 23 ou figure 24, page 13, selon le modèle).

Remarque : acheminez les tuyaux comme l'illustre la figure 23 ou la figure 24, page 13, selon le modèle. Les tuyaux ne doivent pas toucher le support de la cellule photoélectrique.

6. Remettez le panneau latéral en place.
7. Remettez l'habillage supérieur et la grille de protection du ventilateur en place (voir *Retrait de l'habillage supérieur*, page 10).

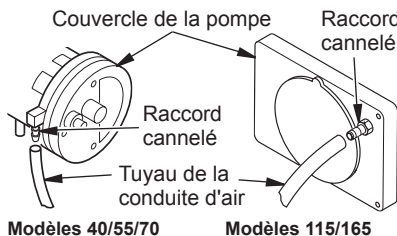


Figure 27 - Tuyau de la conduite d'air et raccord cannelé

ROTOR DE POMPE

(Procédure si le rotor se bloque)

1. Retirez l'habillage supérieur (voir *Retrait de l'habillage supérieur*, page 10).
2. Retirez les vis du couvercle des filtres à l'aide d'un tourne-écrou de 5/16 po (voir figure 28 ou 29).
3. Retirez le couvercle des filtres et les filtres à air.
4. Retirez les vis de la plaque de la pompe à l'aide d'une clef à écrou de 5/16 po.
5. Retirez la plaque de la pompe.
6. Retirez le rotor, l'élément encastré et les pales (voir figure 28 ou 29).
7. Vérifiez qu'il n'y a pas de débris dans la pompe. Si vous y trouvez des débris, expulsez-les avec de l'air comprimé.
8. Installez la gaine et le rotor.
9. Vérifiez l'écart sur le rotor. Ajustez à 0,076/0,101 mm (0,003"/0,004") au besoin (voir figure 30, page 15). **Remarque :** donnez un tour complet au rotor pour assurer que l'écart est de 0,076/0,101 mm (0,003"/0,004") à sa position la plus serrée. Ajustez au besoin.
10. Installez les pales, la plaque de la pompe, les filtres d'air et le couvercle du bout du filtre.
11. Remettez la grille de protection du ventilateur et l'habillage supérieur en place (voir *Retrait de l'habillage supérieur*, page 10).
12. Ajustez la pression de la pompe (voir *Ajustement de la pression de la pompe*, page 11).

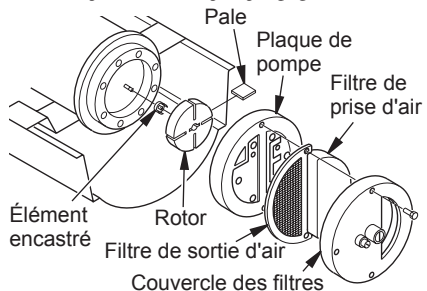


Figure 28 - Emplacement du rotor des modèles 40/55/70

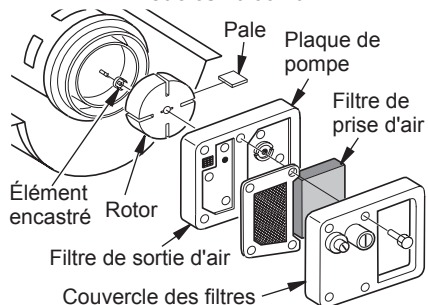


Figure 29 - Emplacement du rotor des modèles 115/165

PROCÉDURES D'ENTRETIEN

Suite

Remarque : si le rotor continue de se bloquer, procédez comme suit.

13. Effectuez les étapes 1 à 6.
14. Placez du papier de verre fin (600 grains) sur une surface plane. Sablez le rotor légèrement en forme de huit quatre fois (voir figure 31).
15. Réinstallez la gaine et le rotor.
16. Effectuez les étapes 10 à 12.

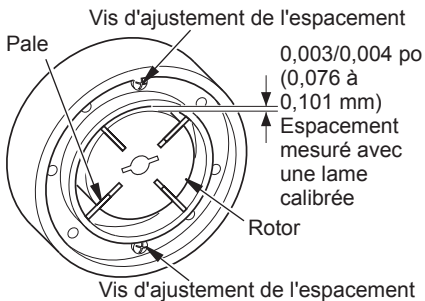


Figure 30 - Emplacements des vis d'ajustement de l'espacement

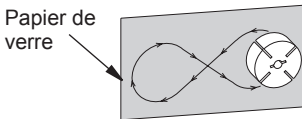


Figure 31 - Sablage du rotor

ASSEMBLAGE DE COMMANDE DE L'ALLUMEUR

⚠ AVERTISSEMENT : haute tension !

1. Débranchez l'appareil de chauffage.
2. Retirez les 4 vis du panneau latéral avec un tourne-écrou de 5/16 po pour mettre en vue l'assemblage de la commande d'allumage.
3. Retirez le panneau qui recouvre le fusible (voir figure 32).
4. Retirez le fusible de la pince qui le retient (voir figure 32).
5. Remplacez le fusible par un fusible du même type et la même valeur nominale (GMA-10). Il ne faut jamais substituer un fusible plus élevé.
6. Remettez le panneau qui recouvre le fusible en place (voir figure 32).
7. Remettez le panneau latéral en place (voir figure 19 ou 20, page 11).

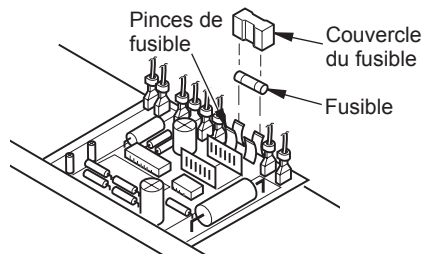


Figure 32 - Remplacement du fusible

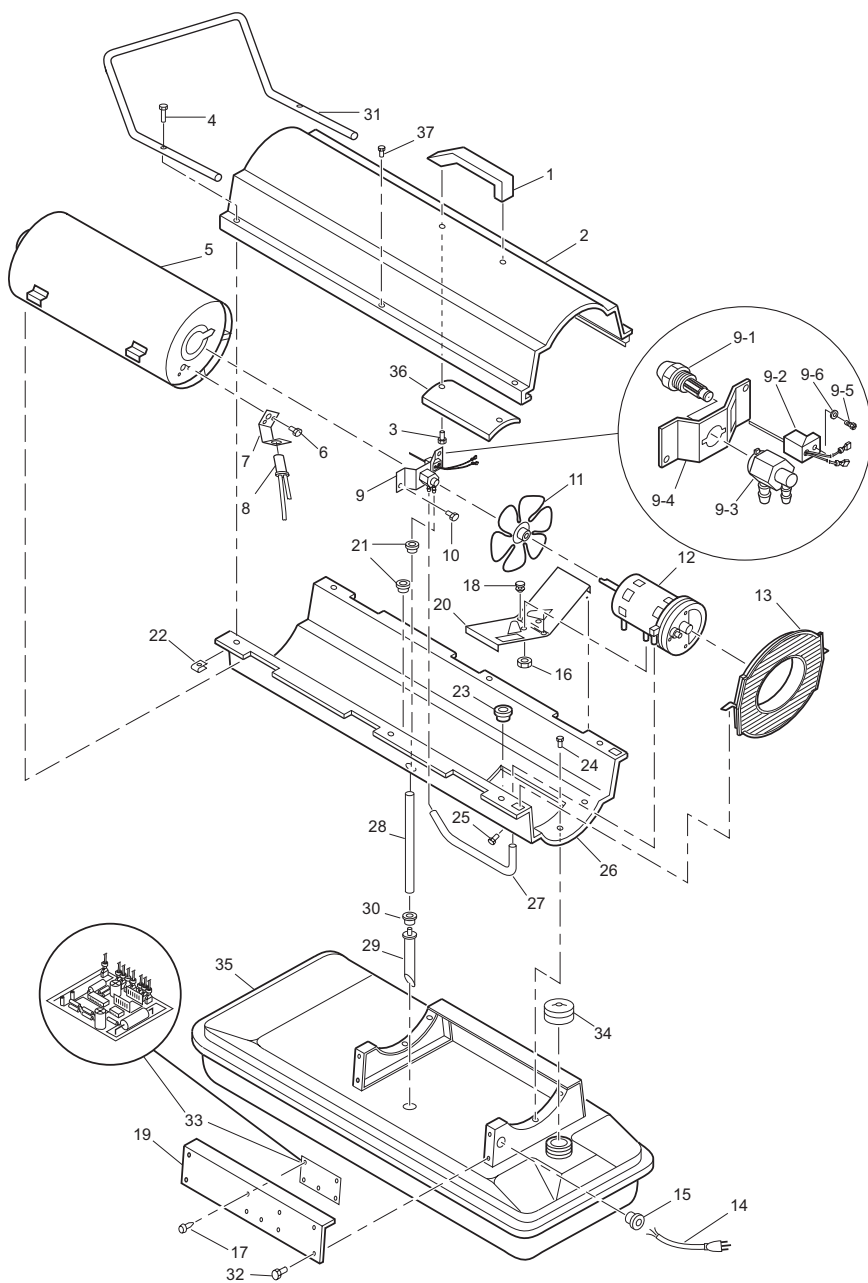
SPÉCIFICATIONS

Taille du modèle	40	55	70	115	165
Puissance de sortie (BTU/h)	40 000	55 000	70 000	115 000	165 000
Carburant	n'utilisez que du kérosène, du diesel ou mazout n° 1 ou 2, ou du carburant JET A ou JP-8.				
Capacité du réservoir de carburant (Litres/gallons US)	11,3/3	18,9/5	18,9/5	34/9	51/13,5
Consommation de carburant (Litres/gallons US à l'heure)	1,14/0,3	1,67/0,44	1,97/0,52	3,00/0,85	4,54/1,2
Pression de la pompe (lb/po)	3,0	3,4	5,1	5,6	
Électricité	120 V/60 HZ (pour tous les modèles)				
Tension (fonctionnement normal)	2,0	2,0	2,8	3,6	3,6
T/M du moteur	1725	1725	3440	3440	3440
Sortie d'air chaud (pi³/min)	170	180	360	490	575
Poids à l'expédition (approximatif, en kg/lb)	14,5/32	15,9/35	15,9/35	24,5/54	29,5/65
Poids de l'appareil de chauffage sans carburant (approximatif, en kg/lb)	12,2/28	14/30	14/30	21/46	25/55

* L'usage de diesel ou de mazout n° 2 causera une odeur perceptible et pourrait exiger un entretien supplémentaire du filtre à carburant. L'usage à des températures extrêmement froides peut exiger des additifs antigivrants non toxiques.

VUE DÉTAILLÉE DES PIÈCES

MODÈLES BC40 ET RC40



LISTE DES PIÈCES

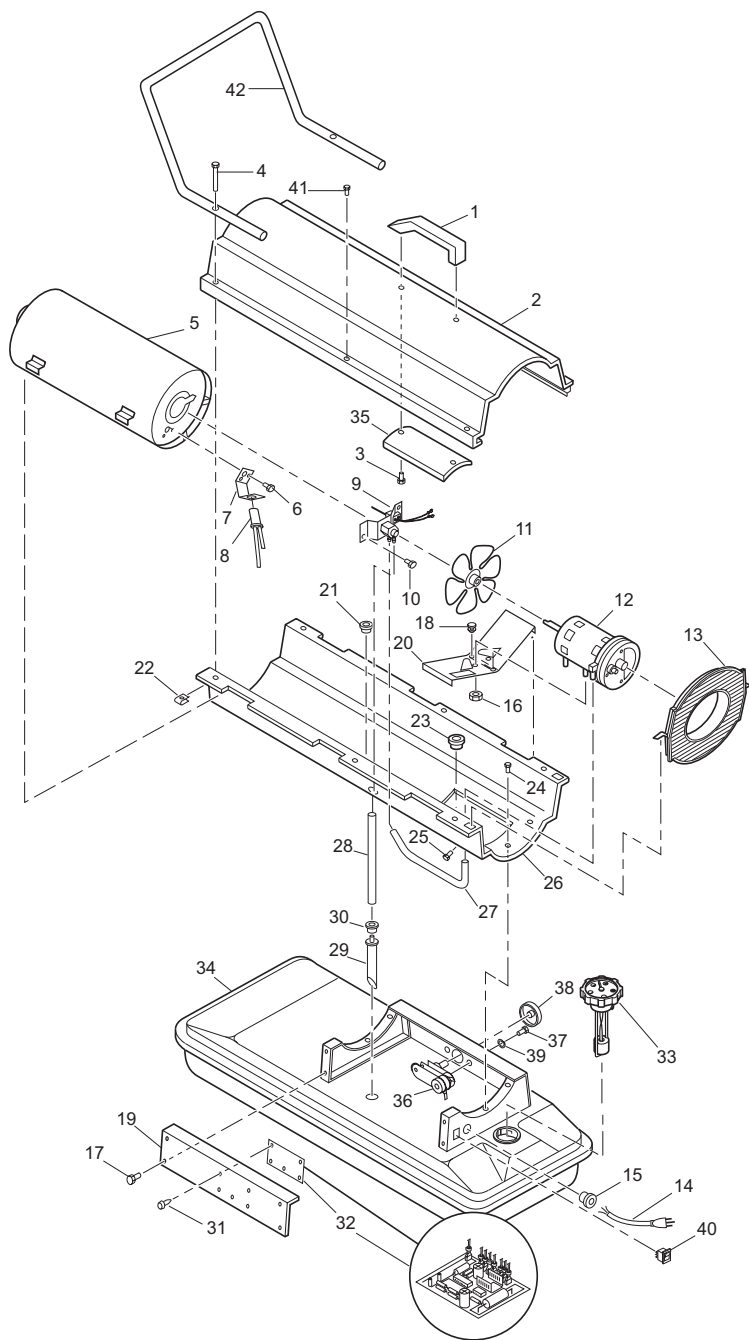
MODÈLES BC40 ET RC40

Cette liste contient les pièces de rechange utilisées dans votre appareil de chauffage. Lorsque vous commandez des pièces, assurez-vous de fournir le bon numéro de modèle et les bons numéros de série (se trouvant sur la plaque signalétique), puis le numéro de pièce et la description de la pièce désirée.

N° de réf.	N° de pièce	DESCRIPTION	QTÉ
1	M51104-01	Poignée	1
2	098511-67	Habillage supérieur (la pièce de rechange sera noire)	1
3	M11084-29	Vis, n° 10-16 x 3/4 po	2
4	108631-01	Vis, n° 10-16 x 1 po	2
5	098512-58	Chambre de combustion	1
6	M10908-2	Vis, n° 6-32 x 3/8 po	2
7	103154-03	Support de cellule photoélectrique	1
8	M16656-24	Assemblage de cellule photoélectrique	1
9	(voir page 22)	Assemblage de tête de brûleur	1
10	M11084-26	Vis, n° 10-16 x 3/8 po	2
11	103684-01	Ventilateur	1
12	(voir page 22)	Moteur	1
13	M51105-01	Grille de protection du ventilateur	1
14	098219-38	Cordon électrique	1
15	M11143-1	Bride de cordon	1
16	NTC-4C	Contre-écrou hexagonal, 1/4-20	2
17	M11084-26	Vis, n° 10-16 x 3/8 po	4
18	M50631	Pare-chocs en caoutchouc	2
19	097461-09	Panneau latéral	1
20	101205-01	Support du moteur	1
21	M30865-02	Bague	2
22	M11271-8	Écrou pince	6
23	M50104-02	Bague	1
24	M11084-26	Vis, n° 10-16 x 3/8 po	6
25	M10908-14	Vis, n° 8-32 x 3/8 po	1
26	098511-234	Habillage inférieur (la pièce de rechange sera noire)	1
27	M50814-06	Conduite d'air en caoutchouc	1
28	079973-01	Conduite de carburant	1
29	M50876-04	Filtre à carburant avec bague	1
30	M10990-3	Bague de caoutchouc	1
31	079532-01	Protection, déflecteur conique	1
32	102349-01	Support de la carte à circuits imprimés	5
33	104068-02	Assemblage de la commande d'allumage	1
34	097702-01	Bouchon du réservoir de carburant (joint compris)	1
35	108088-01	Réservoir de carburant	1
36	M51108-01	Écran thermique	1
37	M15823-27	Vis, n° 10-16 x 1/2 po	4
PIÈCES DISPONIBLES — PAS ILLUSTRÉES			
	103814-01	Attache métallique	1
	105550-01	Étiquette d'avertissement et d'entretien	1
	105550-02	Étiquette d'avertissement et d'entretien	1

VUE DÉTAILLÉE DES PIÈCES

MODÈLES BC55CT, RC55CT, UKC55CT, BC70ET, RC70ET ET UKC70ET



LISTE DES PIÈCES

MODÈLES BC55CT, RC55CT, UKC55CT, BC70ET, RC70ET ET UKC70ET

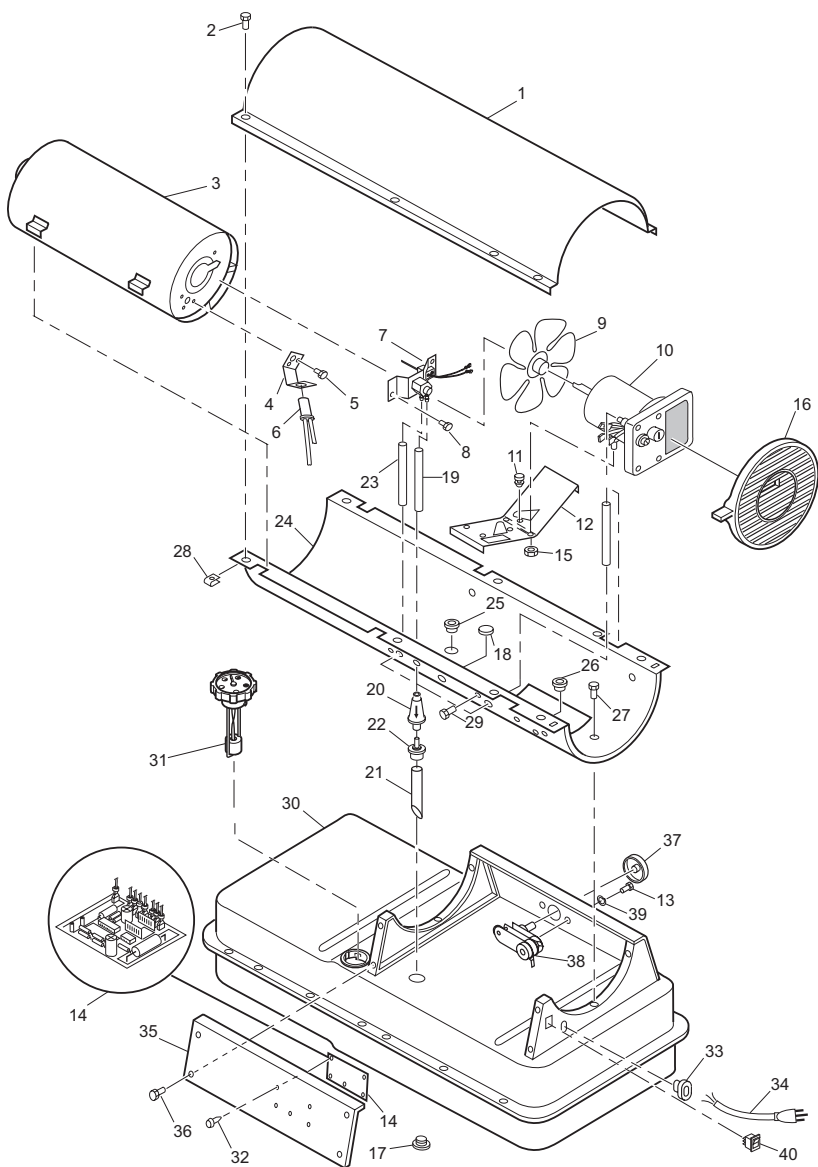
Cette liste contient les pièces de rechange utilisées dans votre appareil de chauffage. Lorsque vous commandez des pièces, assurez-vous de fournir le bon numéro de modèle et les bons numéros de série (se trouvant sur la plaque signalétique), puis le numéro de pièce et la description de la pièce désirée.

N° de réf.	N° de pièce	DESCRIPTION	QTÉ
1	M51104-01	Poignée	1
2	098511-67	Habillage supérieur (la pièce de rechange sera noire)	1
3	M11084-29	Vis, n° 10-16 x 3/4 po	2
4	108631-01	Vis, n° 10-16 x 1 po	2
5	098512-50	Chambre de combustion (55)	1
	098512-51	Chambre de combustion (70)	1
6	M10908-2	Vis, n° 6-32 x 3/8 po	2
7	103154-03	Support de cellule photoélectrique	1
8	M16656-24	Assemblage de cellule photoélectrique	1
9	(voir page 22)	Assemblage de tête de brûleur	1
10	M11084-26	Vis, n° 10-16 x 3/8 po	2
11	103684-01	Ventilateur (55)	1
	M29678	Ventilateur (70)	1
12	(voir page 22)	Assemblage du moteur et de la pompe	1
13	M51105-01	Grille de protection du ventilateur	1
14	113065-01	Cordon électrique	1
15	M11143-1	Bride de cordon	1
16	NTC-4C	Contre-écrou hexagonal, 1/4-20	2
17	M11084-26	Vis, n° 10-16 x 3/8 po	8
18	M50631	Pare-chocs en caoutchouc	2
19	097461-16	Panneau latéral	2
20	101205-01	Support du moteur	1
21	M50104-06	Bague	1
22	M11271-8	Écrou pince	6
23	M50104-02	Bague	1
24	M11084-26	Vis, n° 10-16 x 3/8 po	6
25	M10908-14	Vis, n° 8-32 x 3/8 po	1
26	098511-234	Habillage inférieur (la pièce de rechange sera noire)	1
27	M50814-06	Conduite d'air en caoutchouc	1
28	079973-01	Conduite de carburant	1
29	M50876-05	Filtre à carburant avec bague	1
30	M10990-3	Bague de caoutchouc	1
31	102349-01	Support de la carte à circuits imprimés	5
32	104068-02	Assemblage de la commande d'allumage	1
33	113280-01	Bouchon du réservoir de carburant et jauge (joint compris) (à utiliser avec le réservoir de carburant 113279-01)	1
34	113279-01	Réservoir de carburant (goulot de remplissage en plastique)	1
35	M51108-01	Écran thermique	1
36	104458-01	Thermostat	1
37	M12461-18	Vis, n° 8-32 x 7/8 po	1
38	104460-01	Bouton du thermostat	1
39	WLE-2	Rondelle de blocage, EXT n° 8	1
40	113461-01	Interrupteur de marche/arrêt	1
41	M15823-27	Vis, n° 10-16 x 1/2 po	4
42	079532-01	Déflexeur conique de protection	1
PIÈCES DISPONIBLES — PAS ILLUSTRÉES			
	103814-01	Attache métallique (pour l'assemblage de la commande d'allumage)	1
	M9900-170	Assemblage de fils (Thermostat à l'assemblage de la commande d'allumage)	1
	079010-46	Assemblage de fils (connecte l'interrupteur au thermostat ou à la commande d'allumage)	1

VUE DÉTAILLÉE DES PIÈCES

MODÈLES

BC115DT, RC115DT, UKC115DT, BC165DT, RC165DT ET UKC165DT



LISTE DES PIÈCES

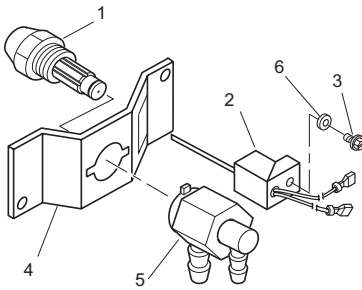
MODÈLES BC115DT, RC115DT, UKC115DT, BC165DT, RC165DT ET UKC165DT

Cette liste contient les pièces de rechange utilisées dans votre appareil de chauffage. Lorsque vous commandez des pièces, assurez-vous de fournir le bon numéro de modèle et les bons numéros de série (se trouvant sur la plaque signalétique), puis le numéro de pièce et la description de la pièce désirée.

N° de réf.	N° de pièce	DESCRIPTION	QTÉ
1	098511-292	Habillage supérieur (la pièce de rechange sera noire)	1
2	M15823-27	Vis, n° 10-16 x 1/2 po	8
3	098512-71	Chambre de combustion (115)	1
	098512-75	Chambre de combustion (165)	1
4	103154-05	Support de cellule photoélectrique (115)	1
	M16660-02	Support de cellule photoélectrique (165)	1
5	M10908-2	Vis, n° 6-32 x 3/8 po	2
6	M16656-24	Assemblage de cellule photoélectrique	1
7	(voir page 22)	Assemblage de tête de brûleur	1
8	M11084-26	Vis, n° 10-16 x 3/8 po	2
9	097293-01	Ventilateur (115)	1
	102042-01	Ventilateur (165)	1
10	(voir page 23)	Assemblage de la pompe et du moteur	1
11	M50631	Pare-chocs en caoutchouc	2
12	101206-01	Support de montage du moteur	1
13	M12461-18	Vis, n° 8-32 x 7/8 po	1
14	104068-02	Assemblage de la commande d'allumage	1
15	NTC-4C	Contre-écrou hexagonal, 1/4-20	2
16	111037-01	Grille de protection du ventilateur	1
17	M27417	Bouchon de vidange (comprend un joint torique)	1
18	107878-02	Obturateur	1
19	M51345-06	Conduite de carburant	1
20	106896-01	Filtre à carburant	1
21	M51345-01	Tuyau de la conduite de carburant (115)	1
	M51345-02	Tuyau de la conduite de carburant (165)	1
22	M10990-3	Bague de caoutchouc	1
23	M50814-03	Conduite d'air	1
24	098511-293	Habillage inférieur (la pièce de rechange sera noire)	1
25	M50104-06	Bague	1
26	M50104-01	Bague	1
27	M11084-26	Vis, n° 10-16 x 3/8 po	6
28	M11271-8	Écrou pince	8
29	M10908-14	Vis, n° 8-32 x 3/8 po	1
30	113279-02	Réservoir de carburant 115	1
	113279-03	Réservoir de carburant 165	1
31	113280-02	Bouchon du réservoir de carburant et jauge (joint compris) 115	1
	113280-03	Bouchon du réservoir de carburant et jauge (joint compris) 165	1
32	102349-01	Support de la carte à circuits imprimés	5
33	M11143-1	Bride de cordon	1
34	113065-01	Cordon électrique	1
35	M51077-18	Panneau latéral	2
36	M11084-26	Vis, n° 10-16 x 3/8 po	8
37	104460-01	Bouton du thermostat	1
38	104458-01	Thermostat	1
39	WLE-2	Rondelle de blocage, EXT #8	1
40	113461-01	Interrupteur de marche/arrêt avec témoin	1
	103814-01	Attache métallique (pas illustré - groupes de fils connectés à l'assemblage de la commande d'allumage)	1
	M9900-77	Fil (pas illustré - raccorde le thermostat à l'assemblage de la commande d'allumage)	1
	079010-46	Fil (pas illustré - raccorde l'interrupteur de marche/arrêt à l'assemblage de la commande d'allumage ou au thermostat si présent)	1

VUE DÉTAILLÉE DES PIÈCES

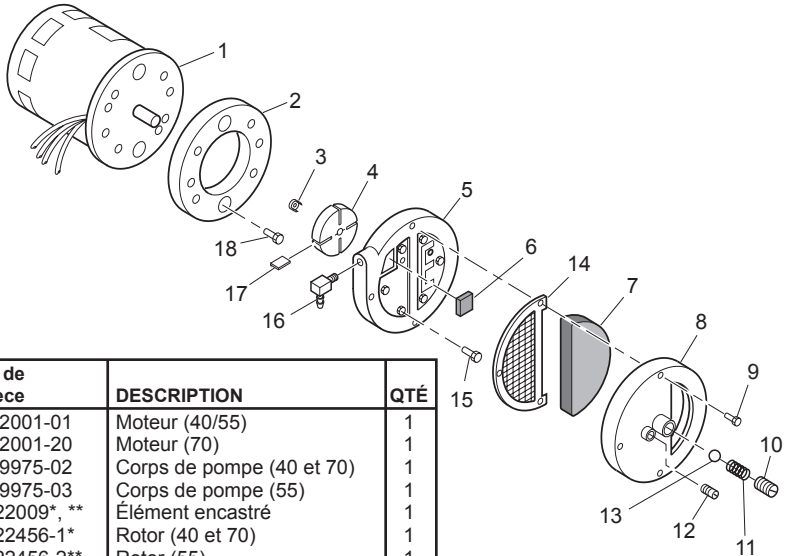
ASSEMBLAGE DE TÊTE DE BRÛLEUR



N° de réf.	N° de pièce	DESCRIPTION	QTÉ
1	HA3026	Assemblage de buse d'aération (40)	1
	HA3024	Assemblage de buse d'aération (55)	1
	HA3026	Assemblage de buse d'aération (70)	1
	HA3027	Assemblage de buse d'aération (115)	1
	HA3028	Assemblage de la buse d'aération (165)	1
2	HA1000	Prêt-à-monter de l'allumage	1
3	M10908-75	Vis, n° 6-32 x 7/8 po	1
4	102336-01	Support de l'adaptateur de la buse d'aération	1
5	104056-01	Adaptateur de la buse d'aération (40)	1
	104054-01	Adaptateur de la buse d'aération (55/70/115/165)	1
6	103347-01	Rondelle	1

MODÈLES D'ASSEMBLAGE DU MOTEUR ET DE LA POMPE

BC40, RC40, BC55CT, RC55CT, UKC55CT, BC70ET, RC70ET ET UKC70ET



N° de réf.	N° de pièce	DESCRIPTION	QTÉ
1	102001-01	Moteur (40/55)	1
	102001-20	Moteur (70)	1
2	079975-02	Corps de pompe (40 et 70)	1
	079975-03	Corps de pompe (55)	1
3	M22009*, **	Élément encastré	1
4	M22456-1*	Rotor (40 et 70)	1
	M22456-2**	Rotor (55)	1
5	M29508	Couvercle de la pompe	1
6	M29632***	Filtre de peluches	1
7	M29633***	Filtre d'entrée	1
8	M29609	Couvercle des filtres	1
9	M12461-31	Vis, n° 10-32 x 1 po	3
10	M27694 ∞	Vis d'ajustement	1
11	M10993-1 ∞	Ressort détendeur de pression	1
12	M22997 ∞	Bouchon	1
13	M8940 ∞	Boule d'acier, diamètre de 1/4 po	1
14	M29612-01***	Filtre de sortie	1
15	M12461-31	Vis, n° 10-32 x 1 po (40 et 70)	6
	M12461-32	Vis, n° 10-32 x 1 1/8 po (55)	6
16	103676-01	Coude en nylon de 90°	1
17	M8643*	Pale (40/70)	4
	M8643-2**	Pale (55)	4
18	FHPF3-5C	Vis (40/70)	2
	FHPF3-6C	Vis (55)	2

* Compris dans le prêt-à-monter de rotor (pièce n° HA3004)

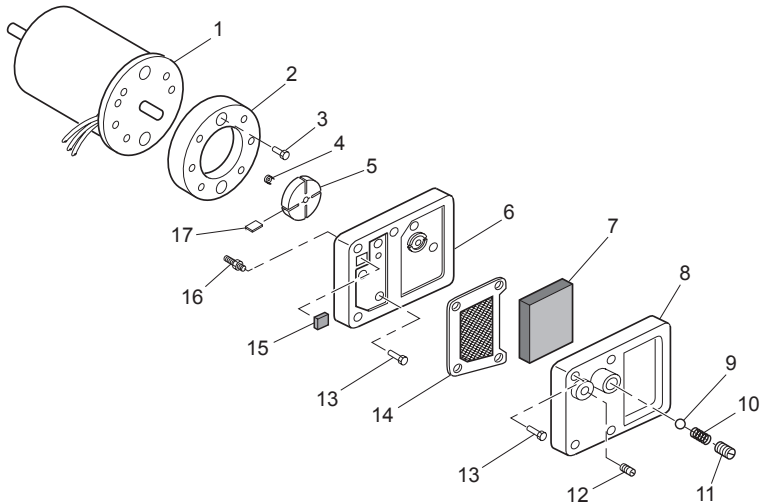
** Compris dans le prêt-à-monter de rotor (pièce n° HA3005)

*** Compris dans le prêt-à-monter de filtre (pièce n° HA3014)

∞ Compris dans le prêt-à-monter de réglage de la pompe (pièce n° HA3020)

VUE DÉTAILLÉE DES PIÈCES

MODÈLES BC115DT, RC115DT, UKC115DT, BC165DT, RC165DT ET UKC165DT

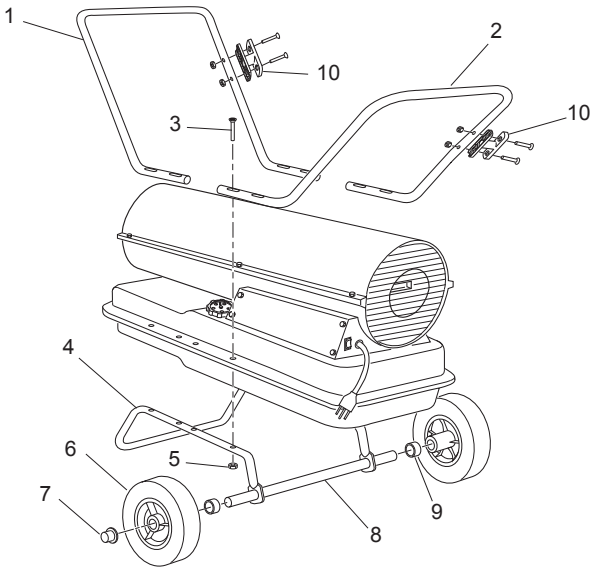


N° de réf.	N° de pièce	DESCRIPTION	QTÉ
1	102001-30	Moteur	1
2	079975-02	Corps de pompe	1
3	FHPF3-5C	Vis, n° 10-32 x 5/8 po	2
4	M22009**	Élément encastré du rotor	1
5	M22456-1**	Rotor de la pompe	1
6	M50545	Couvercle de la pompe	1
7	M12179**	Filtre d'entrée	1
8	M16545	Couvercle des filtres	1
9	M8940**	Boule d'acier, diamètre de 1/4 po	1
10	M10993-1**	Ressort détenteur	1
11	M27694**	Vis d'ajustement	1
12	M22997**	Bouchon	1
13	M12461-31	Vis, n° 10-32 x 1 po	10
14	M12244-1**	Filtre de sortie	1
15	M11637**	Filtre de peluches	1
16	M50820-02	Raccord cannelé	1
17	M8643**	Pale	4

** Compris dans le prêt-à-monter de rotor
(pièce n° HA3004)

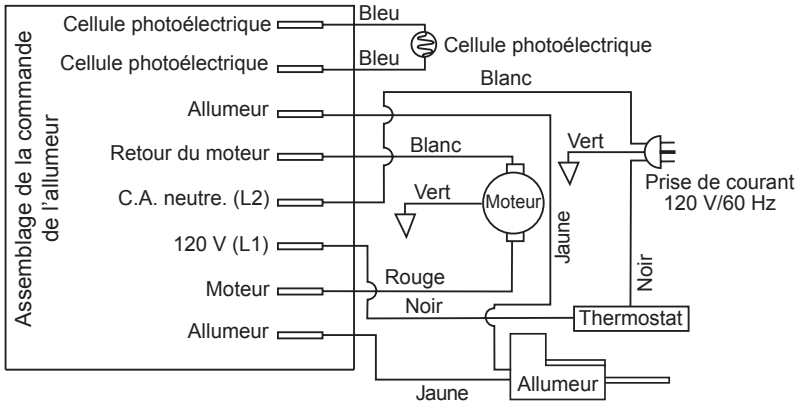
VUE DÉTAILLÉE DES PIÈCES

LISTE DE PIÈCES DES ROUES ET DE LA POIGNÉE

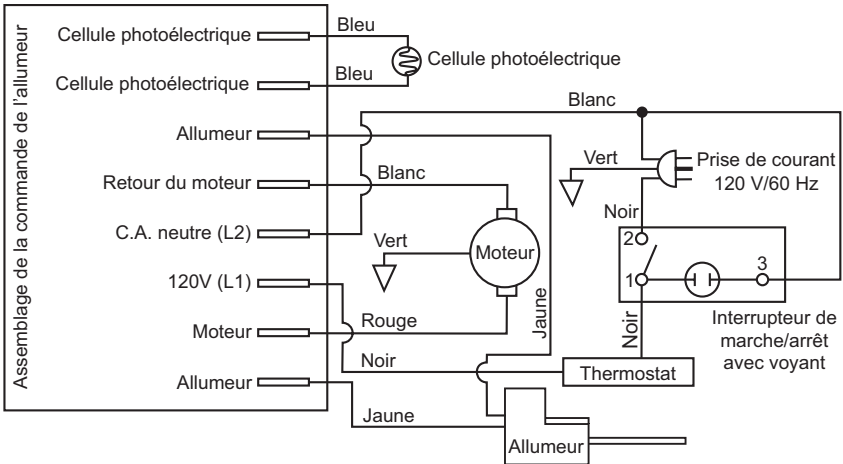


N° de réf.	N° de pièce		DESCRIPTION	QTÉ
	Modèles 115	Modèles 165		
1	079998-02	099614-01	Poignée, avant	1
2	M51334-02	099614-02	Poignée, arrière (si fournie)	1
3	M12345-33	M12345-33	Vis, n° 10-24 x 1 3/4 po	8
4	M12342-3	M12831-5	Armature de support des roues	1
5	NTC-3BZ	NTC-3BZ	Écrou hexagonal, n° 10-24	8
6	107426-01	—	Trousse de roue (115) (contient 2 roues noires et des écrous borgnes)	1
	—	113326-01	Trousse de roue pneumatique (165) (contient 2 roues noires, des écrous borgnes et des entretoises)	1
7	M28526	M28526	Écrou borgne	2
8	M51015-01	M16801-5	Essieu	1
9	—	113497-01	Entretoise de roue (165 uniquement)	2
10	113193-01	113193-01	Prêt-à-monter de l'enrouleur de câble (si fourni) (contient 2 enrouleurs, 4 écrous et 4 boulons)	1

DIAGRAMMES DE CÂBLAGE



(modèles 40)



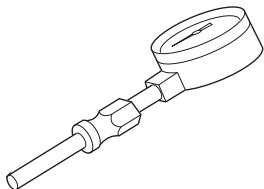
(Modèles 55/70/115/155/165)

Figure 33 - Diagramme de câblage

ACCESSOIRES

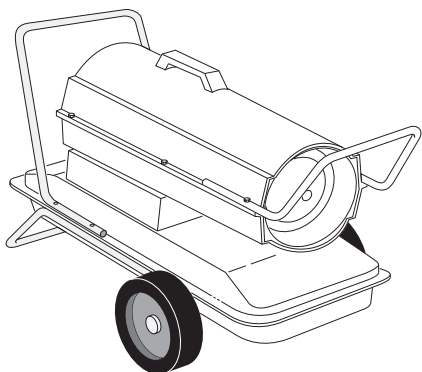
Les accessoires et pièces de l'appareil de chauffage sont disponibles chez votre revendeur local. Si votre revendeur ne dispose pas d'un accessoire ou d'une pièce spécifique en stock ou est dans l'impossibilité d'en commander, veuillez contacter DESA Industries pour plus d'informations.

DESA Industries of Canada, Inc.
2220 Argentia Road, Unit #4
Mississauga, Ontario L5N 2K7
Parts Department
1-905-826-8010



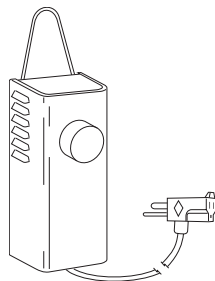
PRÊT-À-MONTER DE LA JAUGE D'AIR - HA1180

Pour tous les modèles. Outil spécial pour vérifier la pression de la pompe.



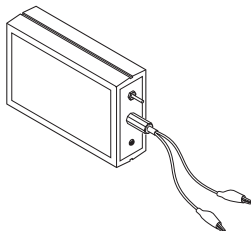
PRÊT-À-MONTER DE ROUES ET DE POIGNÉE RENFORCÉES - HA1202

Pour service intensif. Pour que votre appareil de chauffage soit encore plus pratique et portable. pour les modèles 40/55/70.



PRÊT À MONTER POUR THERMOSTAT - HA1210

Pour le modèle 40. Garde la température de votre bâtiment suivant votre sélection jour et nuit. Permet de faire des économies de carburant.



ASSEMBLAGE DE LA COMMANDE D'ALLUMAGE/TEST DE CELLULE PHOTOÉLECTRIQUE - HA1170

Outil spécial utilisé pour tester l'assemblage de la commande d'allumage et de la cellule photoélectrique.

NOTES

SERVICE DE GARANTIE ET DE RÉPARATION

CONSERVEZ CETTE GARANTIE

Numéro de modèle _____

Numéro de série _____

Date de l'achat _____

GARANTIES LIMITÉES POUR LES PRODUITS NEUFS ET LES PRODUITS REMIS EN ÉTAT

Nouveaux produits : DESA Industries garantit que cet appareil de chauffage et ses pièces sont exempts de défauts de matériaux et de fabrication et ceci pour une durée d'un (1) an à partir de la date du premier achat, lorsque l'appareil de chauffage est utilisé et entretenu en conformité avec les instructions du fabricant. Ces garanties ne protègent que l'acheteur au détail d'origine, lorsqu'une preuve d'achat est fournie.

Appareils de chauffage remis en état : DESA Industries garantit que cet appareil de chauffage remis en état en usine et ses pièces sont exempts de défauts de matériaux et de fabrication et ceci pour une durée de trente (30) jours à partir de la date du premier achat, lorsque l'appareil de chauffage est utilisé et entretenu en conformité avec les instructions du fabricant. Ces garanties ne protègent que l'acheteur au détail d'origine, lorsqu'une preuve d'achat est fournie.

Ces garanties ne couvrent que le coût des pièces et de la main d'œuvre requis pour restaurer le produit à son état de fonctionnement normal. Le transport et les frais incidents associés aux réparations sous garantie ne sont pas remboursables sous cette garantie.

Les réparations sous garantie sont disponibles seulement par l'intermédiaire des revendeurs et des centres de service autorisés.

Cette garantie ne couvre pas les défauts causés par la mauvaise utilisation, l'abus, la négligence, les accidents, le manque d'entretien adéquat, l'usure normale, les modifications, les altérations, les combustibles contaminés, les réparations avec des pièces autres que des pièces DESA ou une réparation par quelqu'un d'autre qu'un revendeur ou un centre de service autorisé. L'entretien de routine est la responsabilité du propriétaire.

CETTE GARANTIE EXPRESSE REMPLACE TOUTE AUTRE GARANTIE EXPRESSE OU IMPLICITE, Y COMPRIS LES GARANTIES DE COMMERCIALITÉ ET D'ADÉQUATION À UN BESOIN PARTICULIER.

DESA Industries n'assume aucune responsabilité pour des dommages indirects, imprévus ou incidents. Certains états ou provinces ne permettent pas l'exclusion ou la restriction des dommages imprévus ou incidents et certaines restrictions ou exclusions pourraient ne pas s'appliquer à votre cas. Cette garantie limitée vous donne des droits spécifiques selon la loi; vous pourriez aussi avoir d'autres droits selon la province où vous habitez.

RÉPARATION SOUS GARANTIE

Si votre appareil de chauffage a besoin de réparation, retournez-le au centre de service autorisé le plus près de chez vous. Une preuve d'achat doit être présentée avec l'appareil de chauffage. L'appareil de chauffage sera inspecté. Un défaut peut être causé par des matériaux défectueux ou un défaut de fabrication. Si tel est le cas, DESA Industries acceptera de réparer l'appareil de chauffage sans frais.

SERVICE DE RÉPARATION

Retournez l'appareil de chauffage au centre de service autorisé le plus près de chez vous. Chaque centre de service est autonome. Les réparations non couvertes par la garantie seront facturées aux prix normaux. Nous nous réservons le droit de modifier ces spécifications à tout moment sans préavis.

Des listes illustrées de pièces peuvent être obtenues sans frais. Envoyez une enveloppe-réponse affranchie à l'adresse indiquée plus bas. Indiquez le numéro de modèle de l'appareil de chauffage et la date inscrits au coin inférieur droit de cette page. Un guide de réparation peut être acheté à l'adresse ci-dessous. Envoyez un chèque de 5,00 \$ à DESA Industries.

Lorsque vous nous écrivez pour obtenir des renseignements concernant votre appareil de chauffage, veillez à inclure les numéros de modèle et de série qui sont inscrits sur la plaque signalétique de l'appareil.

Imprimé aux
États-Unis

DESATM

INDUSTRIES OF CANADA, INC.

2220 Argentia Road, Unit #4

Mississauga, Ontario L5N 2K7

(905) 826-8010

Télécopieur (905) 826-8236

116170-01

Rev. A

02/05



116170 01

NOT A UPC