

INSTALLATION & USER-MANUAL

PLEASE READ CAREFULLY BEFORE USING AND KEEP WELL.

5" TFT LCD Color Rear Vision Monitor for Automobile



MODEL: **ECL-500**

* Design and Specifications are subject to change without notice.

CONTENTS

- CHARACTERS 3
- SUGGESTIONS 4
- INSTALLATION 5
- FUNCTIONS 6
- CONNECTIONS 12
- PIN CONNECTIONS 13
- SPECIFICATIONS 14

CHARACTERS

- This monitor has been specially designed for Automobile Rear Vision System.
- It can be used on the power source from 12V to 32V DC.
- It has two external triggers and the triggers have an off- time- delay for 2 seconds.
- It is automatically turned on when a gear is set on the R position.
- Two cameras can be connected up into the monitor.
- This monitor has a speaker and users can hear what is happening behind the vehicle. (when used with a camera with integral microphone).
- This monitor has back-lights for buttons and this back-lights are turned on automatically at night.

SUGGESTIONS

TFT LCD Color Monitor

Safety

- Use only DC 12V to 32V.
- In case that dust or liquid was soaked into the case, please turn off power and consult the experienced technician before using.
- Do not cover air duct for preventing from considerable rise in temperature.

Installation

- Do not install the unit in an extremely hot or humid place (radiator, air duct, etc.) or in a place subject to direct sunlight, excessive dust, mechanical vibration or shock.
- The monitor is not designed for waterproof.

General cleaning information

- If your vehicle has been parked in direct sun light resulting in a considerable rise in temperature inside the vehicle, allow the unit to cool off before operating.
- Clean the unit with a slightly damp soft cloth. Use a mild household detergent. Never use strong solvent such as thinner or benzene as they might damage the finish of the unit.

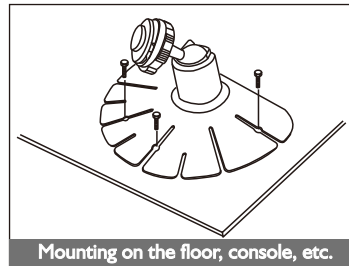
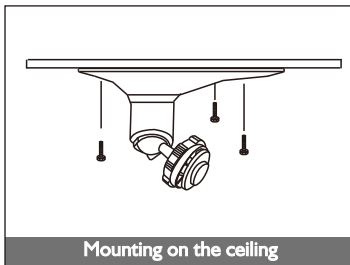
Warning

While driving, do not watch Video

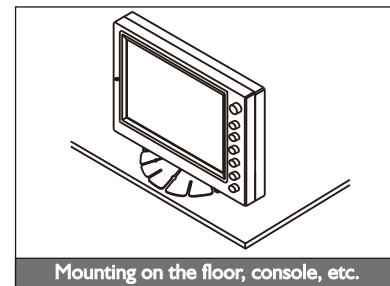
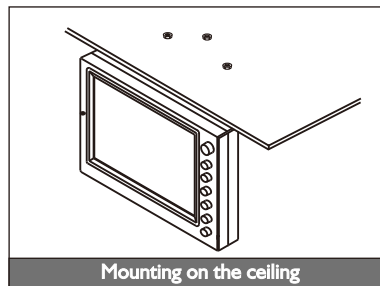
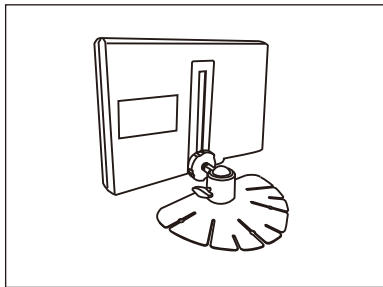
INSTALLATION

Install the monitor on a place which can stand more weight than 5Kg (10.1b).

- Clean the place before installation.
- Remove the protective paper covering the bottom of the bracket.
- Stick the provided bracket on the surface and fix it firmly with the screws.

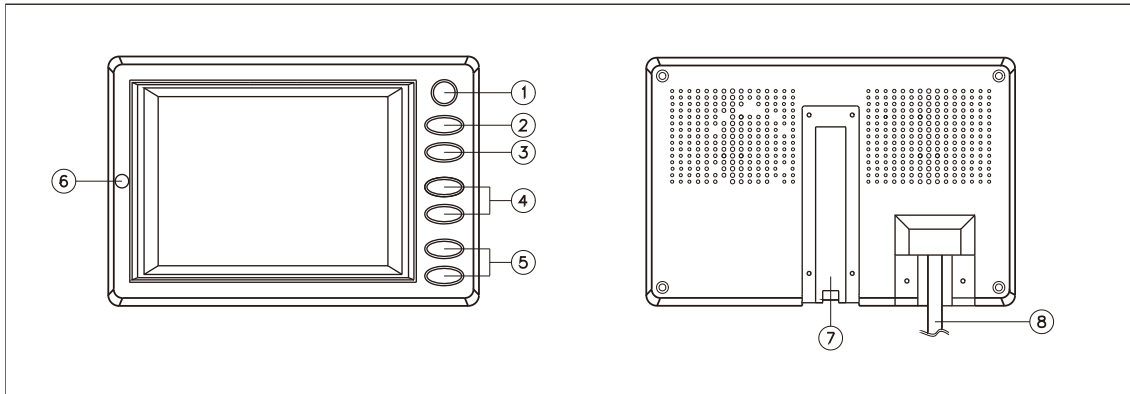


- Adjust the angle of the monitor and fasten the handle screws strongly.



FUNCTIONS

- When power lamp of the monitor is on, the monitor is in stand-by mode. The monitor is not turned off until the ignition key is on the off position.



FUNCTION

- 1) POWER ON Button and Stand-by Lamp
 - When the RED lamp is turned on, the monitor indicates power on and stand-by mode.
 - When the POWER ON button is pushed, the lamp color changes to GREEN and the monitor goes into RUN mode.

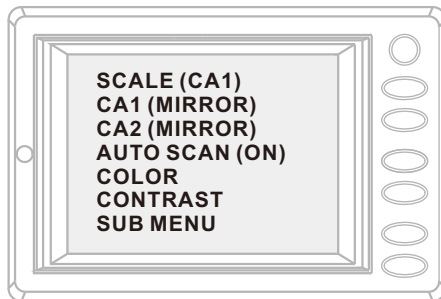
FUNCTIONS

2) CA.SEL button

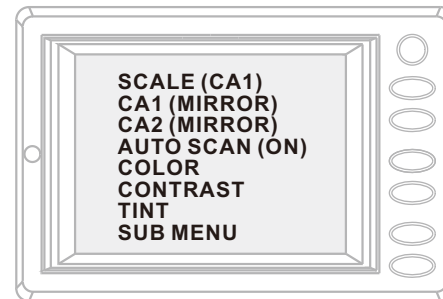
- The cameras can be selected as CA 1 or CA 2.
- The OSD indicates which camera is operating now.

3) MENU button

- This button shows main MENU OSD.
- The main Menu list disappears within 5 seconds automatically if there is no new input signal.
- Main MENU explanation
 - * Use BRIGHT UP/DOWN buttons to select an item.
 - * Use the CA.SEL button to change the contents.



PAL system



NTSC system

FUNCTIONS

» SCALE (CA1)

- This item is just electronic scale that is measuring distance behind vehicle.
- This scale is available only when trigger signal is inputted.
- This item has four details as CA1, CA2, ALL and NONE.
- Use the CA.SEL button for choosing one of details.

» CA1 (MIRROR)

- This item selects a normal or mirror image of the CA1.
- Use the CA.SEL button for selecting the image.

» CA2 (MIRROR)

- This item selects a normal or mirror image of the CA2.
- Use the CA.SEL button for selecting the image.

» AUTO SCAN (ON)

- The monitor has an automatic scan operation.
- The monitor can run or stop the AUTO SCAN function as setting ON or OFF.
- Use the CA.SEL button for selecting ON or OFF.

FUNCTIONS

▶▶ COLOR

- This item changes the color depth of image.
- Use the CA.SEL button to choose this item.
- Use the BRIGHT UP/DOWN buttons to control the color depth.

▶▶ CONTRAST

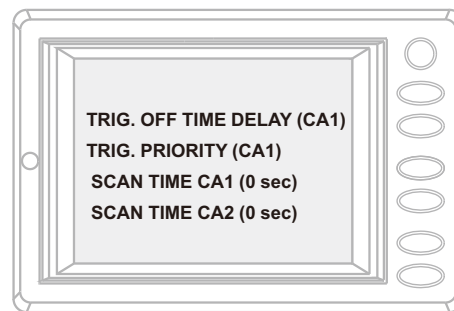
- This item changes the contrast of image.
- Use the CA.SEL button to choose this item.
- Use the BRIGHT UP/DOWN buttons to control the contrast level.

▶▶ TINT (NTSC system only)

- This item changes the color coordination of image.
- Use the CA.SEL button to choose this item.
- Use the BRIGHT UP/DOWN buttons to control the position between R and G.

▶▶ SUB MENU

- This function has a sub-menu
- Sub menu explanation
 - * Use the MENU button to quit this menu.



FUNCTIONS

▶ TRIG. OFF TIME DELAY (CA1)

- This item has four sub details as CA1, CA2, ALL and NONE
- This function is useful for triggering connection to the direction signal lamp.
(Delay time 2.5 seconds)
- Use the CA.SEL button for choosing one of the details.

▶ TRIG. PRIORITY (CA1)

- User can select camera priority.
When two triggers are inputted at the same time, the image of selected camera is shown on the screen.
- Use the CA.SEL button to select the camera priority, CA1 or CA2.

▶ SCAN TIME CA1(0 sec), SCAN TIME CA2(0 sec)

- This scan time is maximum 10 seconds.
- Use the VOL UP/DOWN buttons to select the time.
- When the AUTO SCAN function which is in main MENU is ON, the monitor shows each image during the scan time.

FUNCTIONS

4) VOL buttons

- This buttons control sound level of built in speaker.

5) BRIGHT buttons

- This buttons control brightness level on the screen.

6) BRIGHTNESS SENSOR (Automatic Brightness Control)

- The brightness of the monitor will be adjusted automatically according to the circumstances.
- The light-sensor automatically turns on back-light for buttons at night.

7) BRACKET RAIL

- Mounting bracket is adjustable.

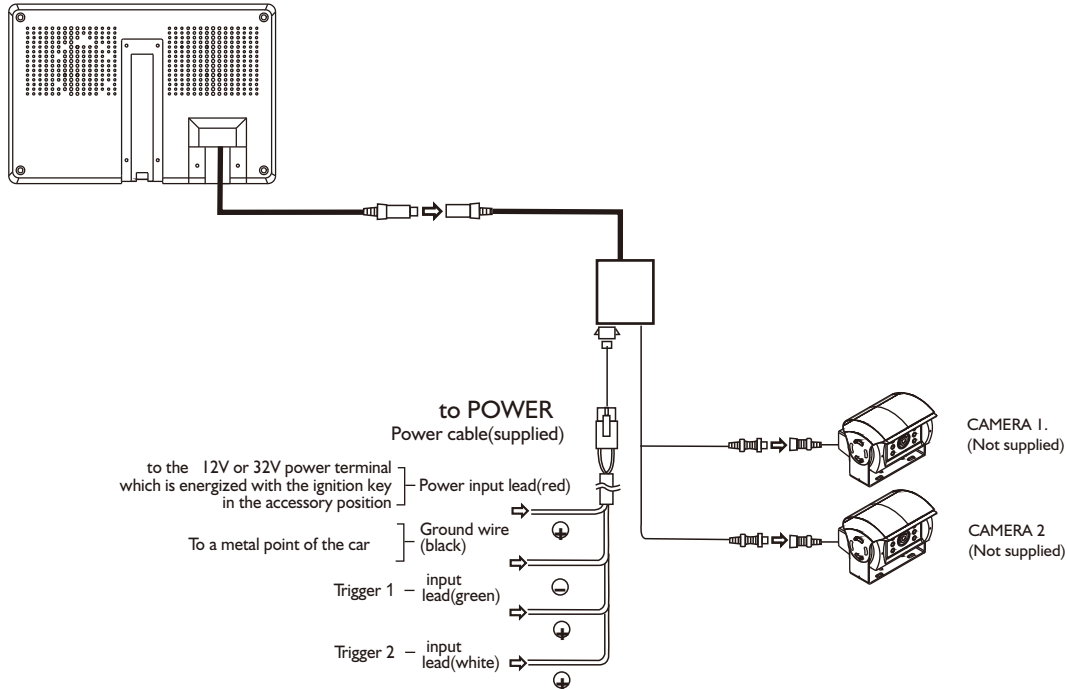
8) INPUT CABLE

- Cameras, Power and trigger wires are connected to the end of this cable assembly.

CONNECTIONS

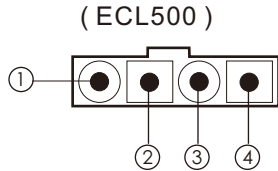
CAUTION

- Do not supply the electric power to the monitor before making the connection.



PIN CONNECTIONS

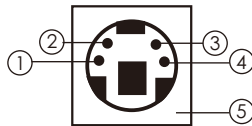
- Power connector pin description



Pin No.	Description
4	12V/24V DC via Ignition (RED)
3	12V/24V DC via Reverse gear or Direction Light for CA1 (GREEN)
2	12V/24V DC via Reverse gear or Direction Light for CA2 (WHITE)
1	Ground (BLACK)

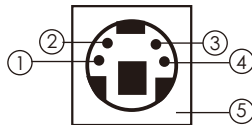
- Camera input connector pin description.

(Camera)



Pin No.	Description
1	Power (DC 12V Output)
2	Audio Input
3	Heater Function (DC 9V~ 12V Output)
4	Video Input
5	Ground

(Camera)



Pin No.	Description
1	Power (DC 12V Output)
2	Audio Input
3	Shutter Control Power (DC 9V Output)
4	Video Input
5	Ground

SPECIFICATIONS

Model No	: ECL-500
Power input	: DC 12 ~ 32 V
Power consumption	: Max 10 Watt
Video signal	: NTSC, PAL standard system
Sync. System	: Internal
LCD panel size	: 5 inch diagonal
Angle of view	: Top: 35°, Bottom: 15°, Left: 55°, Right: 55°
Screen size	: 106(W) × 78(H)mm
Screen resolution	: 225,000 Pixels (960(W) × 234(H))
Dimmer	: Automatic
Color configuration	: R, G, B Stripe
OSD control	: Volume, Brightness, Scale on/off, Image select (Mirror/Normal) Auto scan on/off, 2 Auto trigge, Color, Contrast, Tint(NTSC Only)
Power connector	: 4 Pin wire
Camera connection	: 2 mini-DIN
Speaker	: 8 ohm, 0.2 watt max
Finish	: Light Black (ABS)
Operating Temperature	: -25°C ~ +75°C (-13°F ~ +167°F)
Storage Temperature	: -30°C ~ +80°C (-22°F ~ +185°F)
Ambient condition	: Indoor use only
Vibration	: 5G
Dimension	: 170(W) × 115(H) × 28(D) mm
Weight	: Approx. 1.0kg gross
Supplied Acc'y	: Mounting Bracket (1) Screw kits (1) Power Cord (1) Sun Visor (1)

* Design and specifications are subject to change without notice.

