



Chantico Fire

INSERT A-05 USER'S MANUAL



Edition : I0266#02 of 27.04.2009

TABLE OF CONTENTS

1. Product's description	2
a. General characteristics	2
b. Planika and the Environment	2
c. Material specification	3
d. Overall Dimensions	3
2. Safety	4
3. Installation	6
4. Operating Instructions	13
5. Cleaning and maintenance	16
6. Additonal Information	16
a. Technical data	16
b. Utilization and recycling	16

The manual must be read carefully BEFORE you attempt to install or use the product

1. Product's Description

a. General Characteristics

This product is a modern appliance which combines all the advantages of a traditional fireplace without any of the disadvantages.

Weighing much less than a traditional fireplace, your new fireplace is easy and quick to install and can be ready to ignite in a matter of hours.

Within the home, the Insert A-05 is designed to create a cosy, intimate and friendly atmosphere.

b. Planika and the Environment

The Insert A-05 requires no flue. It can be used in any environment having adequate natural ventilation. No flue also means all the heat remains within the room.

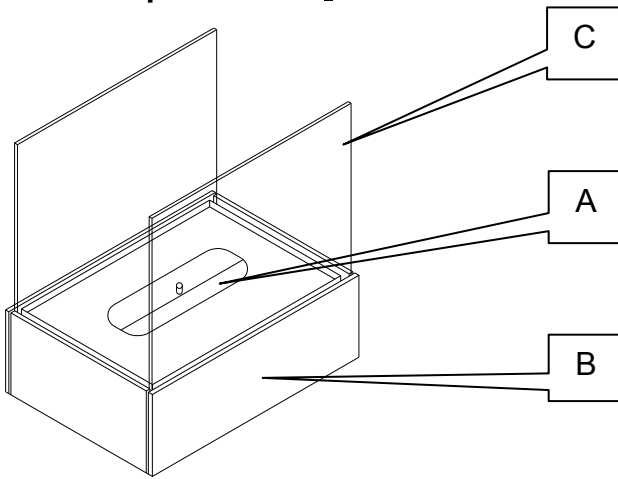
Thanks to the use of FANOLA® alcohol-based, **ecological** liquid, the operation of the Insert A-05 means clean, emission free and environmentally friendly usage. There are no combustion residues, such as ash or soot, to clean or remove!

PLEASE NOTE:

The Chantico Fire Insert A-05 is for indoor use only.

The Chantico Fire Insert A-05 is not a heating appliance.

1. Material specification_



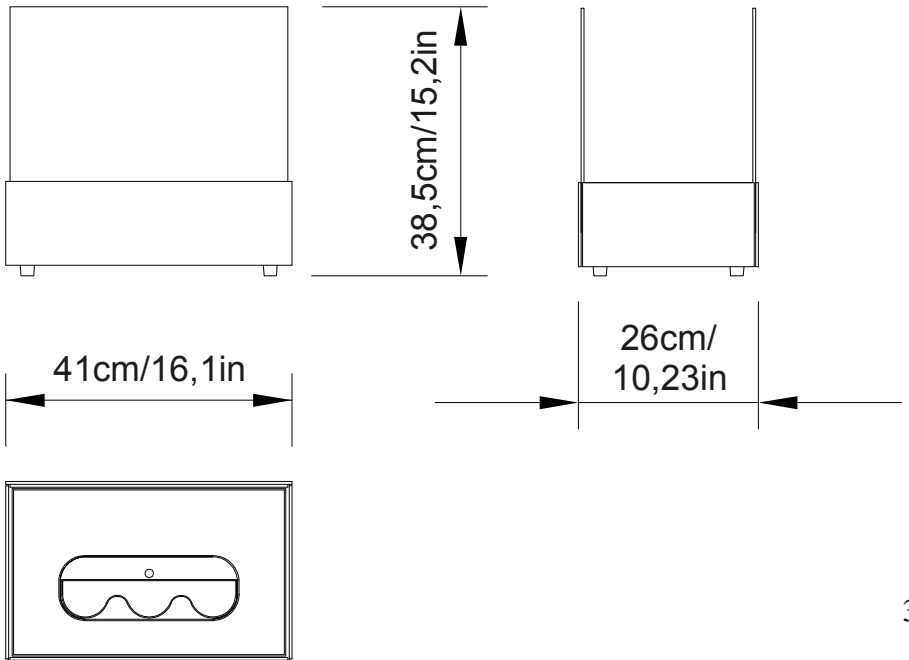
Construction materials:

A – Container for FANOLE[®], shutter – acid-proof polished stainless steel,

B - Body - stainless steel coated with the heat-proof paint

C – Glass shield – tempered glass

d. Overall dimensions



2. Safety

In this chapter there is information concerning the responsible use of the Insert A-05.

Complying with the following safety recommendations will avoid damaging the product and creating potentially hazardous situations which may result in bodily injuries.

To ensure the safe and appropriate use of the Insert A-05 you must abide by the following guidelines:

Before assembling your Insert A-05, select its location taking into consideration the following rules:

Do not expose to outdoor conditions. This Product is for indoor use only.

Do not use the product in a room of an area below $24\text{m}^2 / 258.33\text{ft}^2$ (or approximately $63\text{m}^3 / 2224.82\text{ft}^3$).

There should be adequate natural ventilation in the room where the Insert A-05 will be used. If required increase the ventilation by opening a window or a door.

Do not allow children to light the Insert A-05.

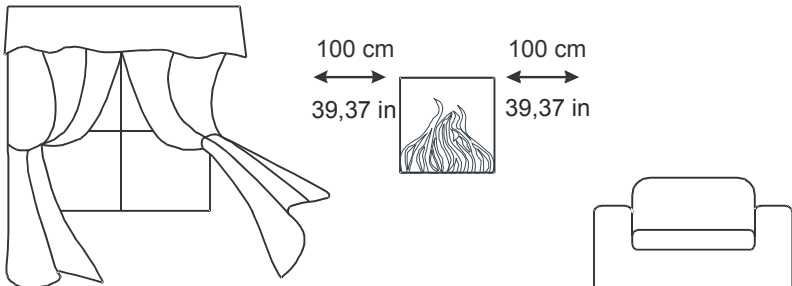
Do not place the Insert A-05 in draughty areas, close to fans or other ventilating devices.

Do not place the product in places where potentially explosive or combustible particles may be present in the atmosphere, e.g. lacquer fumes, industrial dust, etc.

Do not use faulty or damaged parts of the Insert A-05.

Due to high surface temperatures, keep children, pets, clothing, and furniture away. The appliance is hot while in operation and contact with it may cause burns to the skin.

Do not place any flammable materials such as curtains, blinds, etc. within a 100 cm (39.37 in) radius of the Insert A-05.



Do not leave a burning Insert A-05 without adult supervision. Children and animals should not be left alone in the room while the appliance is in usage.

Do not try to repair or alter the construction of the Insert A-05.

Use FANOLA® – clean burning & odorless liquid recommended by the manufacturer.

Using any other liquids or fuels may result in the emission of a variety of gases during the burning process, which may have negative effects on the health.

The liquid is poisonous and must not be consumed.

Store the liquid in a safe place out of reach of children, pets and any unauthorized persons.

Do not attempt to pour FANOLA® or any other liquid or fuel into the reservoir during the burning process.



Only use the liquid designed for this type of Insert.

Do not place anything inside the fireplace which has not been supplied by the Manufacturer.

Only use the Insert A-05 accessories provided by the Manufacturer and in accordance with their instructions as per the Manual.

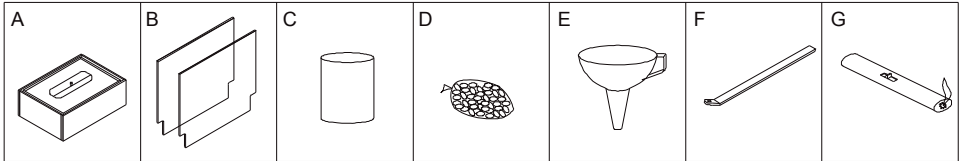
Do not touch heated elements of the Insert A-05.

Do not cover the Insert, or the ventilation slots etc. as it may cause a fire.

3. Installation

Before installing the product, read Section 2 of the manual (Safety). To ensure proper assembly and installation, please proceed as follows:

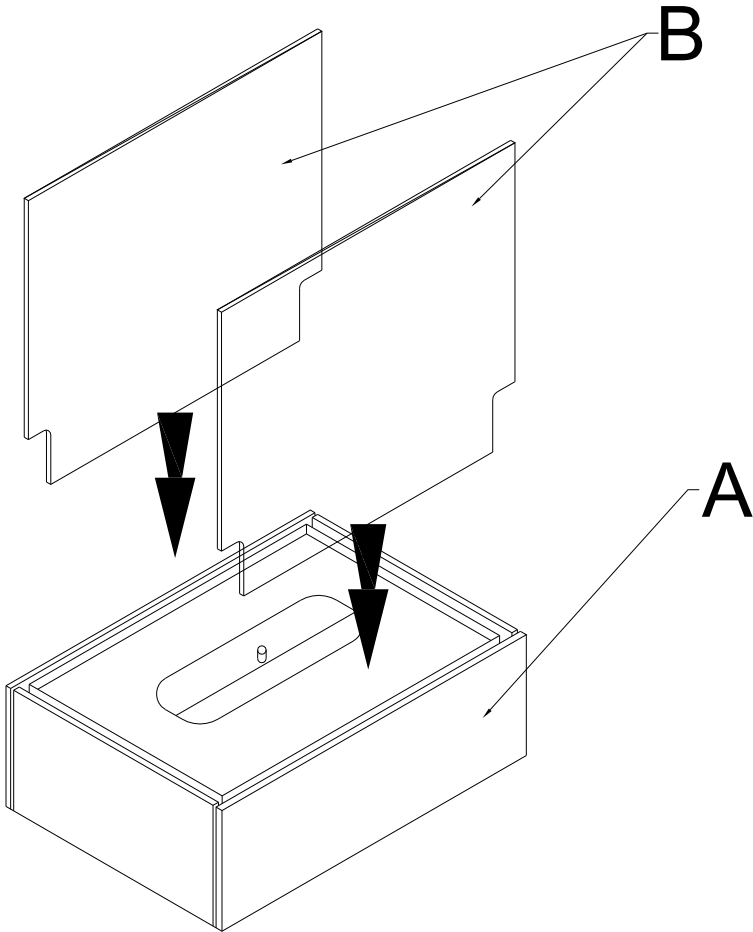
3.1 Unpack the product and remove all parts from the packaging.



SYMBOL	ELEMENT DESCRIPTION	PCS	USAGE
A	Insert	1	Construction elements
B	Glass shield	2	
C	Measuring cup	1	Operation elements
D	Decorative stones	2	
E	Funnel	1	
F	Metal tool	1	
G	Lighter	1	

3.2 Choose a suitable location for the Insert A-05 as it is presented in Section 2.

2.1. Assemble the product according to drawing.

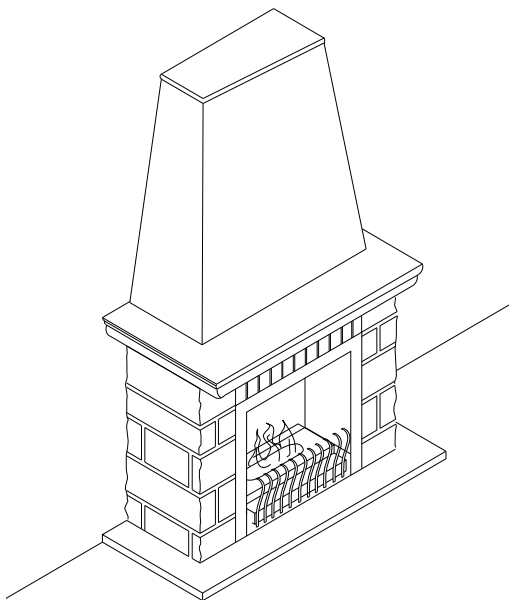


3.4. Choose one of the installation modes:

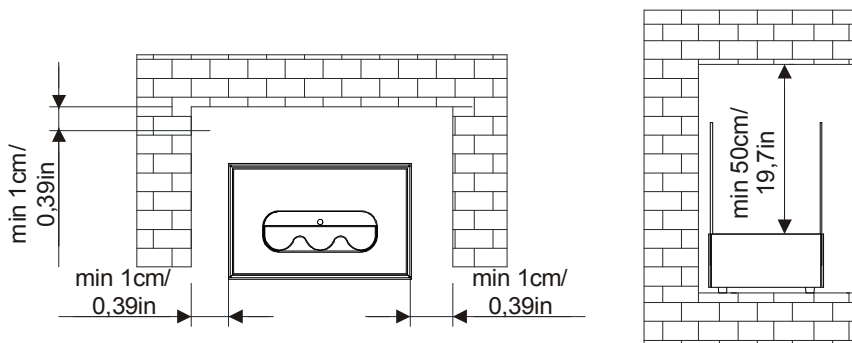
- a. The existing fireplace with a chimney.
- b. The existing fireplace without a chimney. The walls of the fireplace are made of non-flammable materials.
- c. The existing fireplace without a chimney. The walls of the fireplace are made of flammable materials.

Ad. a.

The product installation in the existing fireplace with a chimney



a.1 Before you put the insert in the existing fireplace, make sure that the minimal dimensions presented in the below drawings are kept.



a.2 You should clean the inside of the chimney where the product will be placed from ash and the rests of the burnt wood.

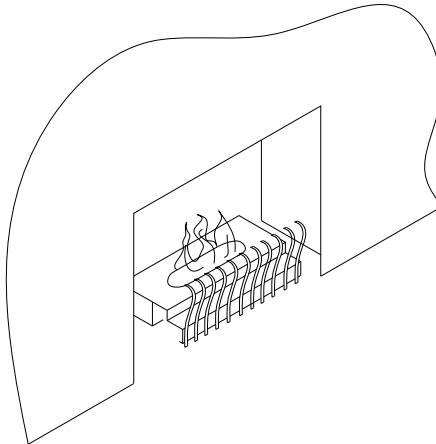
CAUTION!!

The product must not be placed in the cast iron inserts closed with the glass door. The product may be put in the cast iron insert when the glass door is removed

- a.3 If the chimney is equipped with the air regulating system, it should be installed in the maximum open position
- a.4 If the chimney is equipped with the draught system, it should be installed in the maximum open position (while the product is in usage, you may try to close it but you should observe the flame. If the draught system does not affect the size of the flame, you may set it according to your needs).

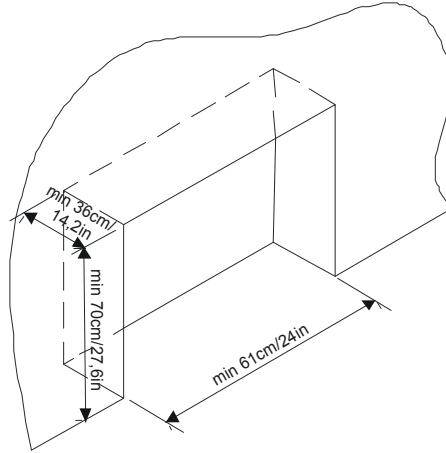
Ad. b.

The product installation in the existing fireplace where its walls are made of non-flammable materials

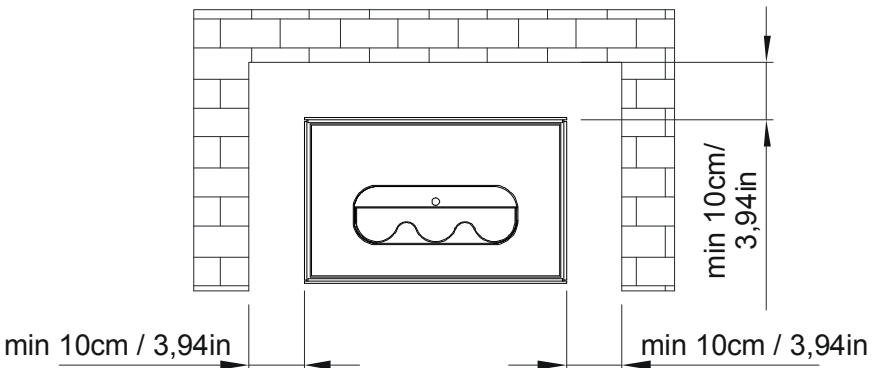


In case where the building wall is made of **non-flammable** materials, you should:

b.1 Make the recess in the wall of the minimum dimensions presented in the drawing. To finish the recess use the **non-flammable** materials.

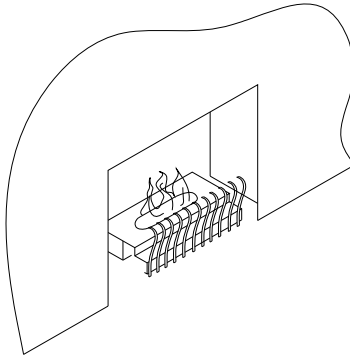


b.1 Place the insert in the place prepared so as to keep the minimum distances from the walls of the recess.



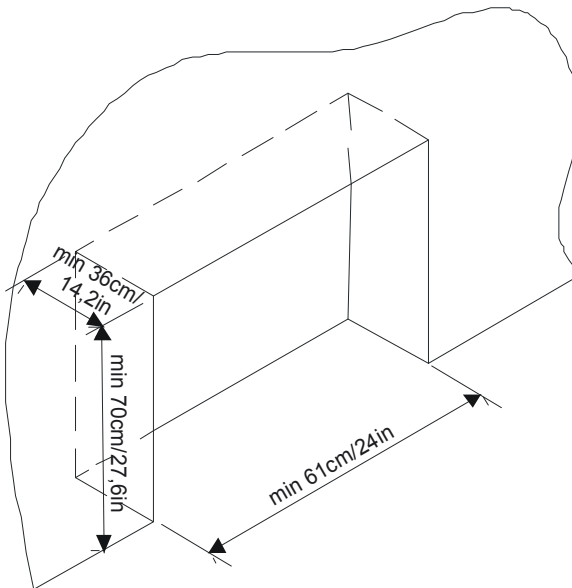
Ad. c.

The product installation in the existing fireplace where its walls are made of flammable materials

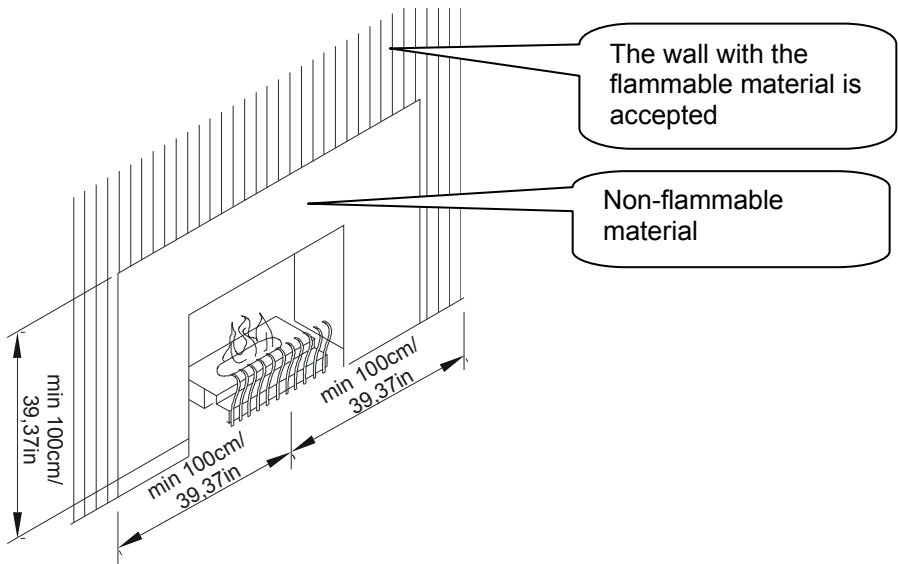


In case where the building wall is made of flammable materials or in case where potentially flammable materials such as wood have been used to build it, you should:

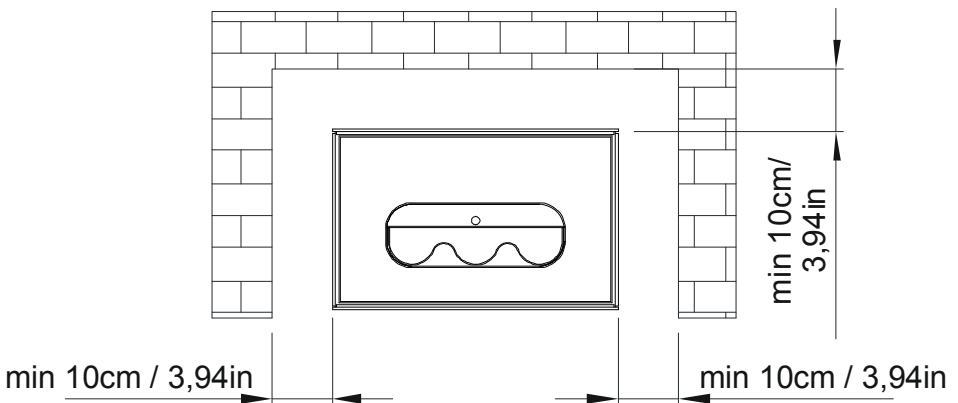
- c.1. Make the recess in the wall of the minimum dimensions presented in the drawing. To finish the recess use the **non-flammable** materials.



c.2. Finish the recess with any non-flammable material according to the drawing below.



c.3. Place the insert in the place prepared so as to keep the minimum distances from the walls of the recess.



CAUTION!!

The recess must be made of or finished with the non-flammable and high temperature proof materials.

- 3.4** Put the decorative stones but remember:
- not to place the stones inside the insert
 - not to put the stones in layers in order to prevent the risk of their falling into the insert

4. Operating Instructions

Before using the Insert A-05 read chapter 2 of the manual.

- 4.1. Using the supplied funnel (E), pour 4 measuring cups (C) of FANOLA® into the reservoir.

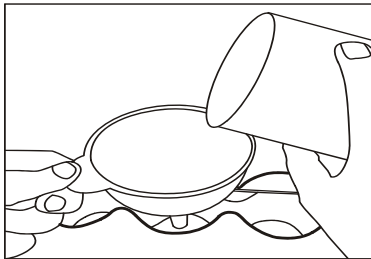
CAUTION!

Do not pour any additional liquid into the reservoir during use as it may cause a fire and burns.

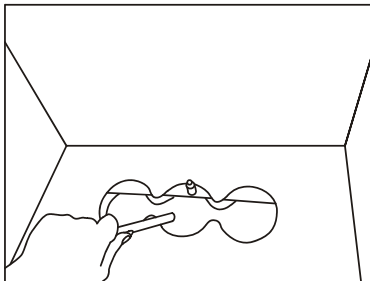


BEFORE REFILLING THE RESERVOIR YOU SHOULD WAIT APPROX. 20 MINUTES UNTIL THE RESERVOIR COOLS DOWN

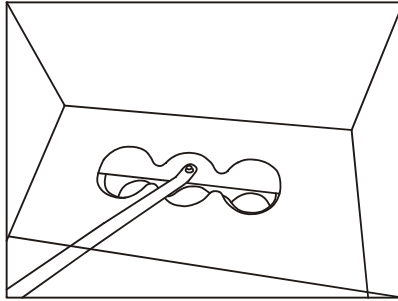
- 4.1. Be very careful not to spill the liquid outside the reservoir. If liquid is spilt on the reservoir, dry the affected components before igniting the flame.



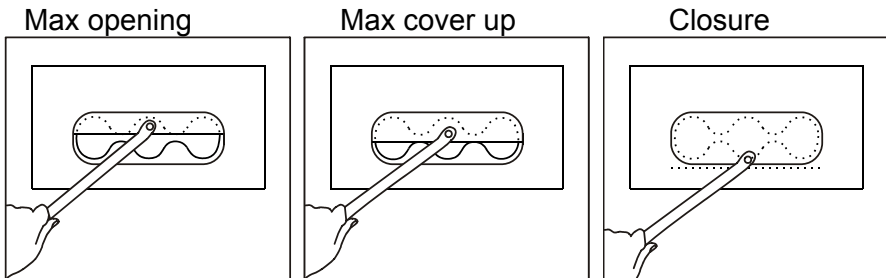
- 4.2. Using the lighter supplied (G), ignite the liquid in the reservoir by bringing the flame close to the surface of the liquid.



- 4.3. After a few moments you can adjust the flame size by altering the reservoir shutter using the supplied metal tool (F).



- 4.4. Regulate the size of the flame by altering the shutter in a range between maximal opening and the position presented in the drawing below. The opening range has been set for optimal combustion. Therefore, this operating range should not be exceeded except when wanting to extinguish the flame which can be achieved by closing the shutter completely.



Closing the reservoir shutter completely will cause the flame to be extinguished.

To extinguish the flame close the reservoir shutter quickly to cutoff the oxygen supply.

Closing the shutter slowly will not guarantee the extinguishing of the flame.

CAUTION!

Refilling the reservoir is possible **only after the liquid is burnt out completely. Before refilling the reservoir, you should wait approx. 20 minutes until the reservoir cools down.**

5. Cleaning and maintenance

The Insert A-05 does not require any particular maintenance except general cleaning. To clean the casing of the product, use a soft, moist cloth. A delicate cleaning agent (suitable for furniture) may be used if required.

6. Additional information

a. Technical data:

Type	Insert
Model	A-05
Max. liquid consumption	0.57 l/h
Liquid container capacity	2l
Min. room space	24 m ² / 258.33 ft ² *
Recommended liquid	FANOLA®
Manufacturer	PLANIKA Sp. z o.o.

* - Room height h=2.6m / 8.53ft, air circulation multiplicity in the room 1/h

b. Utilization and recycling

The product is composed of furniture board and stainless steel elements. In case of the necessity to dispose of the product:

Act accordingly to the utilization and recycling regulations of your country

Dispose of used fuel containers in the appropriate way

If you have any technical problems or any questions, please contact your dealer.

You will find the latest information about our product on our web site:

www.chanticofire.com.

You can order FANOLA® from www.fanola.com.