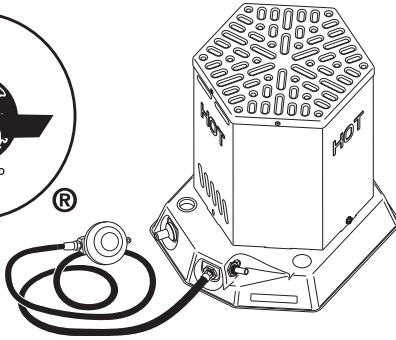


DESA™

INDOOR/OUTDOOR PRODUCTS

PROPANE CONVECTION CONSTRUCTION HEATER OWNER'S MANUAL



Variable 15,000/25,000
Btu/Hr Models

IMPORTANT: Read and understand this manual before assembling, starting, or servicing heater. Improper use of heater can cause serious injury. Keep this manual for future reference.

⚠ GENERAL HAZARD WARNING:

Failure to comply with the precautions and instructions provided with this heater, can result in death, serious bodily injury and property loss or damage from hazards of fire, explosion, burn, asphyxiation, and/or carbon monoxide poisoning.

Only persons who can understand and follow the instructions should use or service this heater.


If you need assistance or heater information such as an instructions manual, labels, etc. contact the manufacturer.

TABLE OF CONTENTS

Safety Information	2	Maintenance	5
Product Identification	3	Inspecting Burner	5
Unpacking	3	Specifications	6
Theory of Operation	3	Technical Service	6
Ventilation	3	Troubleshooting	6
Propane Supply	4	Illustrated Parts Breakdown and Parts List	7
Installation	4	Replacement Parts	7
Operation	4	Warranty and Repair Service	8
Storage	5		

Save this manual for future reference.
For more information, visit www.desatech.com

SAFETY INFORMATION

 **WARNING: This product contains and/or generates chemicals known to the State of California to cause cancer or birth defects, or other reproductive harm.**

 **WARNING: Fire, burn, inhalation, and explosion hazard. Keep solid combustibles, such as building materials, paper or cardboard, a safe distance away from the heater as recommended by the instructions. Never use the heater in spaces which do or may contain volatile or airborne combustibles, or products such as gasoline, solvents, paint thinner, dust particles or unknown chemicals.**

 **WARNING: Not for home or recreational vehicle use.**

The heater is designed for use as a construction heater in accordance with ANSI Z83.7/CGA 2.14. Other standards govern the use of fuel gases and heating products for specific uses. Your local authority can advise you about these. The primary purpose of construction heaters is to provide temporary heating of buildings under construction, alteration or repair. Properly used, the heater provides safe economical heating. Products of combustion are vented into the area being heated.

We cannot foresee every use which may be made of our heaters. **Check with your local fire safety authority if you have questions about heater use.**

Carbon Monoxide Poisoning: Some people are more affected by carbon monoxide than others. Early signs of carbon monoxide poisoning resemble the flu, with headaches, dizziness, and/or nausea. If you have these signs, the heater may not be working properly. **Get fresh air at once!** Have heater serviced.

Propane Gas: Propane gas is odorless. An odor-making agent is added to propane gas. The odor helps you detect a propane gas leak. However, the odor added to propane gas can fade. Propane gas may be present even though no odor exists.

Make certain you read and understand all warnings. Keep this manual for reference. It is your guide to safe and proper operation of this heater.

1. Install and use heater with care. Follow all local ordinances and codes. In the absence of local ordinances and codes, refer to the *Standard for Storage and Handling of Liquefied Petroleum Gas, ANSI/NFPA 58* and the *Propane Installation Code, CAN/CGA B149.2*. This instructs on the safe storage and handling of propane/LP gases.
2. Use only the hose and factory preset regulator provided with the heater.
3. Use only propane gas set up for vapor withdrawal.
4. For indoor and outdoor use. When used indoors, use only in well-vented areas. Provide at least 120 square inches (774.2 cm²) of fresh, outside air before using heater.
5. Do not use heater in occupied dwellings, sleeping quarters, campers, tents, or any type of unvented or enclosed area.
6. Do not use heater in basement or below ground level. Propane gas is heavier than air. If a leak occurs, propane gas will sink to the lowest possible level.
7. Do not use heater as a cooking device. Do not place objects on top of heater.
8. Keep appliance area clear and free from combustible materials, gasoline, paint thinner, and other flammable vapors and liquids. Dust is combustible. Do not use heater in areas with high dust content.
9. Minimum heater clearances from combustibles: Sides - 3 feet (1 m), Top - 6 feet (1.8 m).
10. Keep heater at least 6 feet (1.8 m) from propane tank(s).
11. Keep propane tank(s) below 100° F (38° C).
12. Before each use, check heater for leaks. Never use an open flame to check for a leak. Apply a mixture of liquid soap and water to all joints. Bubbles forming show a leak. Correct all leaks at once.
13. Check heater for damage before each use. Do not use a damaged heater.

SAFETY INFORMATION

Continued

14. Check hose before each use of heater. If highly worn or cut, replace with hose specified by the manufacturer before using heater.
15. Do not alter heater. Keep heater in its original state.
16. Do not use heater if altered.
17. Locate heater on stable and level surface if heater is hot or operating.
18. Never block air inlet (top of base) or air outlet (around top of shell) of heater.
19. Keep heater away from strong drafts, wind, water spray, rain, or dripping water.
20. Never operate heater while sleeping or unattended.
21. Keep children and animals away from heater.
22. Never move, handle, or service a hot or operating heater. Severe burns may result. You must wait 15 minutes after turning heater off.
23. To prevent injury, wear gloves when handling heater.
24. Always remove heater from propane tank after each use. Always store propane tank outdoors in a well ventilated space out of the reach of children. Never store propane tank in a building, garage, or any other enclosed area. Never store propane tank near high heat, open flame, or where temperatures exceed 120° F (49° C).
25. Turn off propane supply to heater when not in use.
26. Use only original replacement parts. This heater must use design-specific parts. Do not substitute or use generic parts. Improper replacement parts could cause serious or fatal injuries.
27. Keep all connections and fittings clean. Make sure propane tank valve outlet is clean. Check the rubber "O" ring on the heater inlet fuel connector for damage before each use. Replace if worn or damaged.

PRODUCT IDENTIFICATION

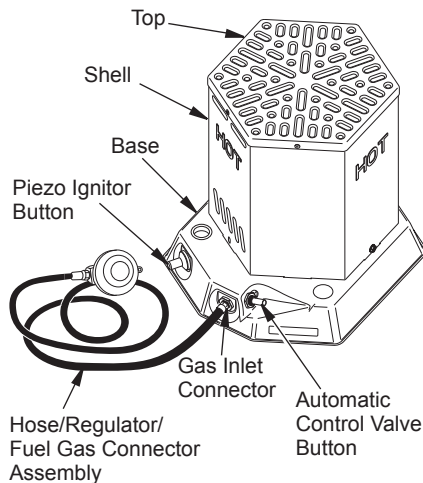


Figure 1 - Product Identification

UNPACKING

1. Remove all packing items applied to heater for shipment. Keep plastic cover caps (attached to inlet connector and hose/regulator assembly) for storage.
2. Remove all items from carton.
3. Check all items for shipping damage. If heater is damaged, promptly inform dealer where you bought heater.

THEORY OF OPERATION

The Fuel System: The hose/regulator attaches to the propane gas supply. This provides fuel to the heater.

The Ignition System: The piezo ignitor lights the burner.

The Automatic Control System: This system causes the heater to shut down if the flame goes out.

VENTILATION

⚠ WARNING: Provide at least an 120 square inch (774.2 cm²) opening of fresh, outside air while running heater. If proper fresh, outside air ventilation is not provided, carbon monoxide poisoning can occur. Provide proper fresh, outside air ventilation before running heater.

PROPANE SUPPLY

Propane gas and propane tank(s) are to be furnished by the user.

Use this heater only with a propane vapor withdrawal supply system. See Chapter 5 of the *Standard for Storage and Handling of Liquefied Petroleum Gas, ANSI/NFPA 58* and/or *CAN/CGA B149.2*. Your local library or fire department will have this booklet.

The amount of propane gas ready for use from propane tanks varies. Two factors decide this amount:

1. The amount of propane gas in tank(s)
2. The temperature of tank(s)

This heater is designed to operate with a minimum 20 lb (9 kg) tank. You may need two or more tanks or one larger tank in colder weather. Use a 100 lb (45 kg) tank for longer operation or in very cold weather. Less gas is vaporized at lower temperatures. Your local propane gas dealer will help you select the proper supply system.

Temperature at Tank Location	Number of tanks, 100 lb (45 kg)
above 0° F (-18° C)	1
below 0° F (-18° C)	2

Smaller tanks can be used for limited run times but it is recommended to use larger tanks for optimum performance.

INSTALLATION

WARNING: Test all gas piping and connections for leaks after installation or servicing. Never use an open flame to check for a leak. Apply a mixture of liquid soap and water to all joints. Bubbles forming show a leak. Correct all leaks at once.

1. Wrench tighten the fuel connector nut into the propane tank valve (see Figure 2). Turn fuel connector nut counterclockwise to tighten. Threads are left-handed.
2. Connect hose to inlet connector (see Figure 3). Tighten firmly using a wrench.
3. Open propane supply valve on propane tank(s) slowly. *Note:* if not opened slowly, excess-flow check valve on propane tank may stop gas flow. If this happens, you may hear a click inside the regulator assembly, this is the check valve closing. To reset the excess-flow check valve, close propane supply valve and open it again slowly.

4. Check all connections for leaks. Apply mixture of liquid soap and water to gas joints. Bubbles forming show a leak that must be corrected.
5. Close propane supply valve.

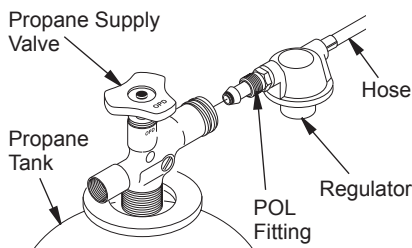


Figure 2 - Connecting Heater to Propane Tank

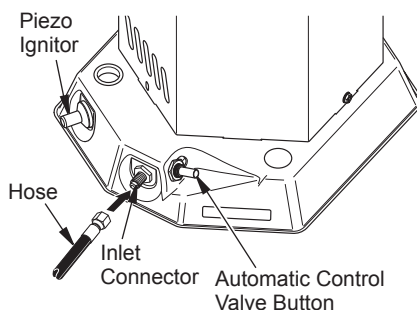


Figure 3 - Hose and Inlet Connector, Automatic Control Valve Button and Piezo Ignitor Button Locations

OPERATION

WARNING: Review and understand the warnings in the *Safety Information* section, page 2. They are needed to safely operate this heater. Follow all local codes when using this heater.

TO START HEATER

1. Follow all installation, ventilation, and safety information.
2. Locate heater on stable and level surface. Make sure strong drafts do not blow on heater.
3. Open propane supply valve on propane tank(s) slowly.
4. Turn the heater regulator knob clockwise to the "HI" position.
5. Push in and hold automatic control valve button (see Figure 3). Push and release piezo ignitor button. Keep pushing piezo ignitor button until the burner lights. Hold control knob down

OPERATION

Continued

for a maximum of 10 seconds while attempting ignition. If heater does not light, release control knob and wait 30 seconds. Repeat step 5 to start heater. **Note:** Keep hands and face away from outlet (around top of shell) of heater while attempting to start heater. After ignition, hold control knob down for approximately 30 seconds. This activates the automatic control system.

6. If burner will not light after repeated tries, do not attempt to repair heater. Return heater to nearest authorized service center or call DESA Heating Products' Technical Service at 1-866-672-6040.
7. When burner remains lit, you can turn the heater regulator knob clockwise to the desired heat setting. If burner goes out, turn off gas. Check fuel supply. If fuel supply is OK, restart heater.

TO STOP HEATER

1. Tightly close propane supply valve on propane tanks by turning clockwise. Wait 15 minutes for the heater to cool before handling heater.
2. Always remove the gas supply hose from the heater and the propane tank after each use.

TO RESTART HEATER

1. Wait five minutes after stopping heater.
2. Repeat steps under *To Start Heater*, page 4.

STORAGE

CAUTION: Disconnect heater from propane supply tank(s).

1. Do not store heater while attached to propane tank. Remove the gas supply hose from the propane tank by turning the fuel gas connector nut clockwise.
2. Store propane tank(s) in safe manner. Refer to Chapter 5 of *Standard for Storage and Handling of Liquefied Petroleum Gases, ANSI/NFPA 58* and/or *CAN/CGA B149.2*. Follow all local codes. Always store propane tanks outdoors. Never store propane tank in an enclosed area.
3. Place plastic cover caps over brass fittings on inlet connector and hose/regulator assembly.
4. Store in a dry, clean, and safe place.

MAINTENANCE

WARNING: Never attempt to service heater while it is connected to propane supply, operating, or hot. Severe burns can occur.

1. Keep heater clean.
2. Inspect heater before each use. Check connections for leaks. Apply mixture of liquid soap and water to connections. Bubbles forming show a leak that must be corrected. Correct all leaks at once.
3. Inspect hose/regulator assembly before each use. If hose is highly worn or cut, replace.
4. Have heater inspected yearly by a qualified service person.

INSPECTING BURNER

WARNING: Heater shell, top, and heated air from heater is very hot during operation. Gradually move in closer to heater to observe flame color. Do not touch heater shell or top. Do not get too close to heated air from heater. Severe burns could occur.

To check for correct burner flame, look through the ventilation holes in the top of the heater to see the burner flame. The burner flame should be mostly blue with slight yellow coloring on the ends. If the burner flame is mostly yellow, the primary air openings on the burner tube under the heater base may be blocked (see Figure 4).

1. Stop heater (see *To Stop Heater*) and let cool.
2. Turn heater over to locate the primary air openings on the burner tube (see Figure 4). Remove any debris blocking the primary air openings.

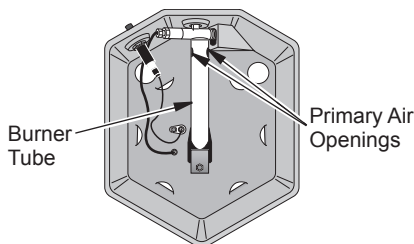


Figure 4 - Bottom View of Heater

SPECIFICATIONS

- Rating: High - 25,000 Btu/Hr (26.375 Kj/Hr)
Low - 15,000 Btu/Hr (15.826 Kj/Hr)
- Fuel: Propane Vapor Only
- Fuel Consumption/Hour: Minimum - 0.17 gal (0.64 liter), Maximum 0.27 gal (1.02 liter)
Minimum - 0.70 lb (0.32 kg), Maximum 1.16 lb (0.53 kg)
- Supply Pressure (To Regulator): Maximum - Tank Pressure, Minimum - 275.8 kPa (40 psi)
- Regulator Outlet Pressure: High - 103.4 kPa (15 psi), Low - 34.4 kPa (5 psi)

TECHNICAL SERVICE

You may have further questions about installation, operation, or troubleshooting. If so, contact DESA Heating Products' Technical Service Department at 1-866-672-6040. When calling please have your model and serial numbers of your heater ready.

You can also visit DESA Heating Products' technical services web site at www.desatech.com.

TROUBLESHOOTING

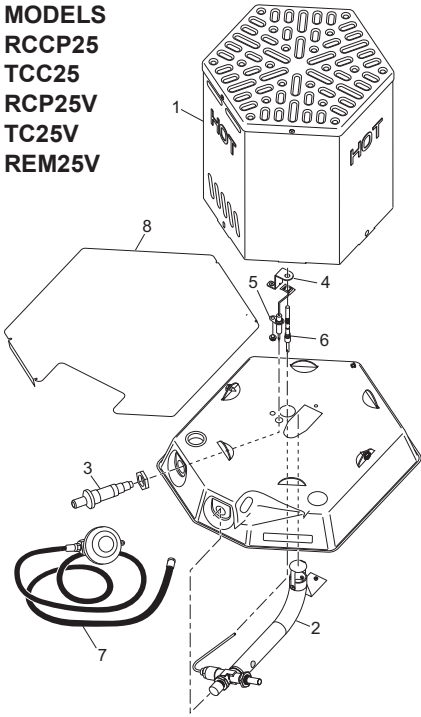


WARNING: Never attempt to service heater while it is connected to propane supply, operating, or hot. Severe burns can occur.

SYMPTOM	POSSIBLE CAUSE	REMEDY
Burner fails to light	<ol style="list-style-type: none">1. Propane supply valve closed on propane tank(s)2. Blockage in burner/valve assembly3. Piezo ignition system not sparking	<ol style="list-style-type: none">1. Open propane supply valve slowly2. Replace burner/valve assembly3. Assure ignitor electrode gap is 0.120" (3.04 mm). Check wire lead for damage. Replace piezo ignitor and/or ignitor electrode as necessary
Burner lights but goes out when automatic control valve button is released	<ol style="list-style-type: none">1. Not enough warm-up time2. Low gas pressure3. Thermocouple loose or needs to be replaced4. Automatic control valve needs to be replaced	<ol style="list-style-type: none">1. Relight, hold automatic control valve button in 45 seconds2. Check propane tank(s) for proper gas supply3. Tighten connection or replace thermocouple4. Replace automatic control valve assembly
Maximum burn rate is low	<ol style="list-style-type: none">1. Low gas pressure2. Low fuel supply3. Plugged gas orifices	<ol style="list-style-type: none">1. Check gas supply; check regulator output2. Consult propane gas supplier3. Replace burner assembly

ILLUSTRATED PARTS BREAKDOWN AND PARTS LIST

MODELS
 RCCP25
 TCC25
 RCP25V
 TC25V
 REM25V



This list contains replaceable parts used in your heater. When ordering parts, follow the instructions listed under *Replacement Parts* of this manual.

KEY

NO.	PART NO.	DESCRIPTION	QTY
1	101880-01	Shell Assembly	1
2	101864-01	Burner Assembly Kit	1
3	102445-01	Piezo Ignitor w/ Nut	1
4	103933-01	Thermocouple Bracket	1
5	101878-01	Electrode Ignitor	1
6	099236-01	Thermocouple Kit	1
7	LPA3025	Hose & Regulator Assembly	1
8	112392-01	Base Shield	1

PARTS AVAILABLE - NOT SHOWN

111677-04	RCCP25 Decal	1
111677-05	RCP25V Decal	1
111677-06	REM25V Decal	1
102597-02	TCC25 Decal	1
102597-03	TC25V Decal	1
111348-04	Warning Tag	1
111348-06	Warning Tag	1
111348-05	Operation Tag	1
111348-07	Operation Tag	1
112398-01	US Rating Label	1
112398-02	CAN Rating Label	1

REPLACEMENT PARTS

⚠ WARNING: Use only original replacement parts. This heater must use design-specific parts. Do not substitute or use generic parts. Improper replacement parts could cause serious or fatal injuries. This will also protect your warranty coverage for parts replaced under warranty.

PARTS UNDER WARRANTY

Contact authorized dealers of this product. If they can't supply original replacement part(s), either contact your nearest Parts Central or call DESA Heating Products (US) at 1-866-672-6040 or DESA Industries (CAN) at 1-905-826-8010.

When calling DESA, have ready

- your name and address
- how heater was malfunctioning
- purchase date
- model and serial numbers of your heater

In most cases, we will ask you to return the part to the factory.

PARTS NOT UNDER WARRANTY

Contact authorized dealers of this product. If they can't supply original replacement part(s), either contact your nearest Parts Central listed in the Authorized Service Center booklet supplied with heater or call DESA Heating Products (US) at 1-866-672-6040 or DESA Industries (CAN) at 1-905-826-8010 for referral information.

When calling DESA, have ready

- model number of your heater
- the replacement part number

WARRANTY AND REPAIR SERVICE

KEEP THIS WARRANTY

Model _____

Serial No. _____

Date of Purchase _____

LIMITED WARRANTIES FOR NEW AND FACTORY RECONDITIONED PRODUCTS

New Products: DESA Heating Products warrants this heater and any parts thereof, to be free of defects in materials and workmanship for one (1) year from the date of first purchase, when operated and maintained in accordance with the manufacturer's instructions. These warranties are extended only to the original retail purchaser, when proof of purchase is provided.

Factory Reconditioned Heaters: DESA Heating Products warrants this factory reconditioned heater and any parts thereof, to be free of defects in materials and workmanship for thirty (30) days from the date of first purchase, when operated and maintained in accordance with the manufacturer's instructions. These warranties are extended only to the original retail purchaser, when proof of purchase is provided.

This warranty covers only the cost of parts and labor required to restore the product to proper operating condition. Transportation and incidental costs associated with warranty repairs are not reimbursable under this warranty.

Warranty service is available only through authorized dealers and service centers.

This warranty does not cover defects resulting from misuse, abuse, negligence, accidents, lack of proper maintenance, normal wear, alteration, modification, tampering, contaminated fuels, repair using improper parts, or repair by anyone other than an authorized dealer or service center. Routine maintenance is the responsibility of the owner.

THIS EXPRESS WARRANTY IS GIVEN IN LIEU OF ANY OTHER WARRANTY EITHER EXPRESSED OR IMPLIED, INCLUDING WARRANTIES OR MERCHANTABILITY AND FITNESS FOR A PARTICULAR PURPOSE.

DESA Heating Products assumes no responsibility for indirect, incidental or consequential damages. Some states do not allow the exclusion or limitation of incidental or consequential damages, or limitations or exclusions may not apply to you. This Limited Warranty gives you specific legal rights and you may also have other rights which vary from state to state.

This warranty does not cover discoloration due to operation of heater. We reserve the right to amend these specifications at any time without notice. The only warranty applicable is our standard written warranty. We make no other warranty, expressed or implied.

WARRANTY SERVICE

Should your heater require service, return it to your nearest authorized service center. Proof of purchase must be presented with the heater. The heater will be inspected. A defect may be caused by faulty materials or workmanship. If so, DESA Heating Products will repair or replace the heater without charge.

REPAIR SERVICE

Return your heater to your nearest authorized service center. Repairs not covered by the warranty will be billed at standard prices. Each Service Center is independently owned and operated. We reserve the right to amend these specifications at any time without notice.

DESA™
INDOOR/OUTDOOR PRODUCTS

2701 Industrial Drive
P.O. Box 90004
Bowling Green, KY 42102-9004
www.desatech.com

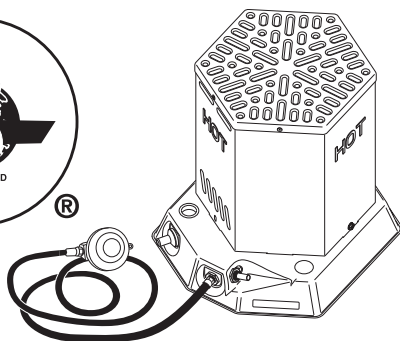
DESA™
INDUSTRIES OF CANADA, INC.

2220 Argentia Road, Unit #4
Mississauga, Ontario
L5N2K7

DESA™

INDOOR/OUTDOOR PRODUCTS

MANUAL DEL PROPIETARIO DEL CALENTADOR POR CONVECCIÓN DE PROPANO PARA CONSTRUCCIÓN



Modelos de
15,000/25,000 BTU/h
variables

IMPORTANTE: Lea y comprenda este manual antes de ensamblar, encender o dar servicio al calentador. El uso inadecuado del calentador puede causar lesiones serias. Conserve este manual para referencia futura.

⚠ ADVERTENCIA GENERAL DE PELIGRO:

No cumplir con las precauciones e instrucciones proporcionadas con este calentador puede causar la muerte, lesiones físicas graves y pérdidas o daños a la propiedad debido al peligro de incendio, explosión, quemaduras, asfixia y/o intoxicación con monóxido de carbono.

Únicamente las personas que puedan entender y seguir las instrucciones deberán usar o dar servicio a este calentador.

Si necesita ayuda o información sobre el calentador, como manuales de instrucciones, etiquetas, etc., comuníquese con el fabricante.

TABLA DE CONTENIDO

Información de seguridad	2	Mantenimiento	5
Identificación del producto	3	Inspección Del Quemador	5
Desempaque	3	Especificaciones	6
Teoría del funcionamiento	3	Servicio técnico	6
Ventilación	3	Solución de problemas	6
Suministro de propano	4	Clasificación ilustrada de piezas y lista de piezas	7
Instalación	4	Piezas de repuesto	7
Funcionamiento	4	Garantía y servicio de reparación	8
Almacenamiento	5		

**Guarde este manual para referencias futuras.
Para obtener más información, visite www.desatech.com**

INFORMACIÓN DE SEGURIDAD

⚠️ ADVERTENCIA: Este producto contiene y/o genera químicos que el Estado de California reconoce que causan cáncer, defectos de nacimiento u otros daños relacionados con la reproducción.

⚠️ ADVERTENCIA: Peligro de incendio, quemaduras, inhalación y explosión. Mantenga los combustibles sólidos, como materiales de construcción, papel o cartón a una distancia segura del calentador según se recomienda en las instrucciones. Nunca use el calentador en espacios que contengan o que puedan contener combustibles volátiles o transportados por aire o productos como gasolina, solventes, diluyente de pintura, partículas de polvo o químicos desconocidos.

⚠️ ADVERTENCIA: No usaren residencias o vehículos recreativos.

El calentador está diseñado para usarse como calentador para construcción de acuerdo con ANSI Z83.7/CGA 2.14. Otros estándares rigen el uso de gases combustibles y productos de calefacción para usos específicos. Su autoridad local puede informarle sobre éstos. El propósito principal de los calentadores para construcción es proporcionar calefacción temporal a edificios en construcción, alteración o reparación. Cuando se usa correctamente, el calentador proporciona calefacción económica y segura. Los productos de combustión se ventilan dentro del área que se está calentando.

No podemos prever todos los usos que se le pueden dar a nuestros calentadores. **Verifique con la autoridad local de seguridad contra incendios si tiene preguntas acerca del uso de calentadores.**

Intoxicación con monóxido de carbono: Algunas personas sufren mayores efectos del monóxido de carbono que otras. Los signos iniciales de la intoxicación con monóxido de carbono se parecen a los de la gripa, con dolores de cabeza, mareos y/o náusea. Si usted presenta estos signos, es posible que el

calentador no esté funcionando correctamente. **¡Respire aire fresco inmediatamente!** Haga que le den servicio al calentador.

Gas propano: El gas propano es inodoro. Al gas propano se le agrega un agente oloroso. El olor le ayuda a detectar fugas de gas propano. Sin embargo, el olor que se añade al gas propano puede menguar. Es posible que haya gas propano presente aunque no haya ningún olor.

Asegúrese de leer y comprender todas las advertencias. Conserve este manual para referencia. Es su guía para la operación segura y correcta de este calentador.

1. Instale y use el calentador cuidadosamente. Siga las ordenanzas y los códigos locales. A falta de decretos o códigos locales, consulte la *Norma de almacenamiento y manejo de gas licuado de petróleo, ANSI/NFPA 58* y el *Código de instalación de propano, CAN/CGA B149.2*. Éste le instruye sobre cómo almacenar y usar el gas propano/LP de forma segura.
2. Use sólo la manguera y el regulador preestablecido en la fábrica que se proporcionan con el calentador.
3. Use solamente el montaje del gas propano para la extracción de vapores.
4. Para uso en interiores y exteriores. Cuando se utilice en interiores, úsese solamente en áreas adecuadamente ventiladas. Procure al menos 774.2 cm² (120 pulgadas cuadradas) de aire fresco del exterior antes de usar el calentador.
5. No use el calentador en residencias ocupadas, habitaciones para dormir, remolques, tiendas de campaña o cualquier tipo de área cerrada o sin ventilación.
6. No use el calentador en un sótano o debajo del nivel del suelo. El gas propano es más pesado que el aire. Si se produce una fuga, el gas propano se asentará en el nivel más bajo posible.
7. No use este calentador como aparato para cocinar. No ponga objetos encima del calentador.
8. Mantenga el área cerca del aparato despejada y libre de materiales combustibles, diluyentes para pintura y otros vapores y líquidos inflamables. El polvo es combustible. No use el calentador en áreas con un contenido alto de polvo.
9. Distancias mínimas entre el calentador y materiales combustibles: Laterales - 1 m (3 pies), parte superior - 1.83 m (6 pies).
10. Mantenga el calentador alejado del (de los) tanque(s) de propano a una distancia de al menos 1.83 m (6 pies).
11. Mantenga el(los) tanque(s) de propano por debajo de los 38° C (100° F).
12. Antes de cada uso, verifique si el calentador tiene alguna fuga. Nunca use una llama al aire libre para verificar una fuga. Aplique una mezcla de jabón líquido y agua en todas las

INFORMACIÓN DE SEGURIDAD *Continuación*

- uniones. La formación de burbujas indica una fuga. Corrija todas las fugas inmediatamente.
- Antes de cada uso, verifique si el calentador ha sufrido algún daño. No use un calentador dañado.
 - Verifique la manguera antes de cada uso del calentador. Si la manguera está muy desgastada o con roturas, reemplácela con una manguera especificada por el fabricante antes de usar el calentador.
 - No altere el calentador. Mantenga el calentador en su estado original.
 - No use el calentador si ha sido alterado.
 - Sitíe el calentador en una superficie estable y nivelada si el calentador está caliente o si está funcionando.
 - Nunca bloquee la entrada de aire (parte superior de la base) o la salida de aire (alrededor de la parte superior de la cubierta) del calentador.
 - Mantenga el calentador alejado de corrientes fuertes de aire, viento, brisas húmedas, lluvia o goteos de agua.
 - Nunca deje funcionando el calentador desatendido o mientras se duerme.
 - Evite que los niños y los animales se acerquen al calentador.
 - Nunca mueva, maneje o brinde servicio a un calentador caliente o en funcionamiento. Pueden producirse quemaduras serias. Debe esperar 15 minutos después de apagar el calentador.
 - Para evitar lesiones, use guantes cuando maneje el calentador.
 - Extraiga siempre el calentador del tanque de propano después de cada uso. Guarde siempre el tanque de propano en un espacio adecuadamente ventilado en exteriores fuera del alcance de los niños. Nunca guarde el tanque de propano en un edificio, cobertizo o cualquier otra área enclaustrada. Nunca almacene el tanque de propano cerca de fuentes de calor intenso, llamas al descubierto o donde la temperatura exceda 49° C (120° F).
 - Cierre el suministro de gas propano al calentador cuando no se esté usando.
 - Use sólo piezas de repuesto originales. Este calentador debe usar piezas diseñadas específicamente. No las sustituya ni use piezas genéricas. El uso de piezas de repuesto inadecuadas puede ocasionar lesiones serias o fatales.
 - Mantenga todas las conexiones y adaptadores limpios. Asegúrese de que la salida de la válvula del tanque de propano esté limpia. Antes de cada uso, verifique si el anillo "O" de hule del conector de combustible de entrada del calentador ha sufrido algún daño. Reemplácelo si está gastado o dañado.

IDENTIFICACIÓN DEL PRODUCTO

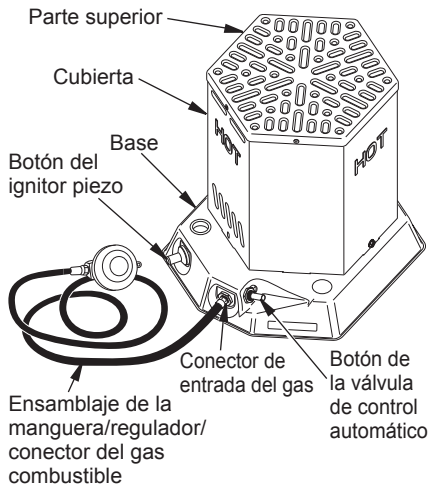


Figura 1 - Identificación del producto

DESEMPAQUE

- Retire todos los elementos de empaque aplicados al calentador para su envío. Mantenga los tapones de plástico (fijados al ensamblaje de la manguera/regulador y al conector de entrada) puestos cuando se guarde.
- Retire todos los elementos de la caja.
- Revise todos los elementos para ver si hay daños debidos al transporte. Si el calentador está dañado, informe de inmediato al distribuidor a quien lo compró.

TEORÍA DEL FUNCIONAMIENTO

El sistema de combustible: El ensamblaje de la manguera/regulador se fija al suministro del gas propano. Esto proporciona combustible al calentador.

El sistema de ignición: El ignitor piezo enciende el quemador.

El sistema de control automático: Este sistema ocasiona que el calentador se apague si se extingue la llama.

VENTILACIÓN

⚠ ADVERTENCIA: Procure una abertura de aire fresco del exterior de al menos 774.2 cm² (120 pulgadas cuadradas) mientras funciona el calentador. Si no se procura ventilación de aire fresco del exterior, puede haber una intoxicación con monóxido de carbono. Procure una abertura de aire fresco del exterior antes de encender el calentador.

SUMINISTRO DE PROPANO

El gas propano y el(los) tanque(s) de propano los debe aprovisionar el usuario.

Use el calentador solamente con un sistema de suministro con extracción de vapores de propano. Consulte el capítulo 5 de la *Norma de almacenamiento y manejo de gas licuado de petróleo, ANSI/NFPA 58 y/o CAN/CGA B149.2*. La biblioteca o departamento de bomberos de su localidad tiene este folleto.

La cantidad de gas propano lista para usarse de los tanques de propano varía. Dos factores determinan esta cantidad:

1. La cantidad de gas propano en el(los) tanque(s)
2. La temperatura del(de los) tanque(s)

Este calentador está diseñado para funcionar con un tanque de al menos 9 kg (20 lb). Es posible que necesite dos o más tanques o un tanque de mayor tamaño durante clima frío. Use un tanque de 45 kg (100 lb) para operar durante un tiempo más prolongado o en clima muy frío. A temperaturas más bajas se vaporiza menos gas. El surtidor de gas de su localidad le ayudará a seleccionar el sistema de suministro apropiado.

Temperatura en la ubicación del tanque	Número de tanques, 45 kg (100 libras)
sobre -18° C (0° F)	1
bajo -18° C (0° F)	2

Es posible usar tanques más pequeños para tiempos de funcionamiento limitados, pero se recomienda usar tanques más grandes para obtener un rendimiento óptimo.

INSTALACIÓN

ADVERTENCIA: Pruebe todas las tuberías de gas y sus conexiones para saber si hay fugas después de instalar o dar servicio. Nunca use una llama al aire libre para verificar una fuga. Aplique una mezcla de jabón líquido y agua en todas las uniones. La formación de burbujas indica una fuga. Corrija todas las fugas inmediatamente.

1. Apriete con una llave la tuerca del conector de combustible en la válvula del tanque de propano (consulte la figura 2). Gire la tuerca del conector de combustible en sentido contrario a las manecillas del reloj para apretarla. Las roscas aprietan hacia la izquierda.
2. Conecte la manguera a la entrada del conector (consulte la figura 3). Apriete firmemente usando una llave.
3. Abra lentamente la válvula del suministro de propano en el(los) tanque(s) de propano. *Nota:* si no se abre lentamente, es posible que la válvula de exceso de flujo del tanque de propano detenga el flujo del gas. Si esto sucede, es posible que escuche un chasquido al cerrarse la válvula de exceso de flujo. Para restablecer la válvula de exceso de flujo, cierre la válvula del suministro de propano y ábrala de nuevo lentamente.

4. Revise todas las conexiones en busca de fugas. Aplique una mezcla de jabón líquido y agua a todas las uniones de la línea de gas. La formación de burbujas indica una fuga que se debe corregir.
5. Cierre la válvula del suministro de propano.

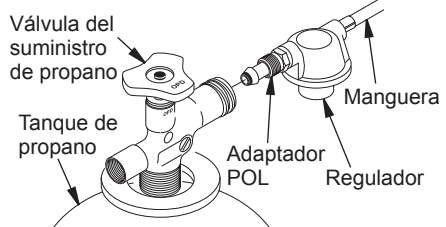


Figura 2 - Conexión del calentador al tanque de propano

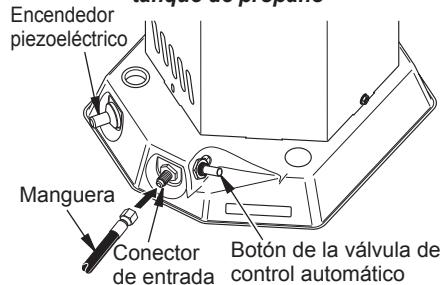


Figura 3 - Ubicación del conector de entrada y de la manguera, del botón de control automático y del botón del ignitor piezo

FUNCIONAMIENTO

ADVERTENCIA: Revise y comprenda las advertencias en la sección *Información de seguridad*, página 2. Son necesarias para operar seguramente este calentador. Siga todas las códigos locales al utilizar este calentador.

PARA ENCENDER EL CALENTADOR

1. Siga toda la información de instalación, ventilación y seguridad.
2. Sitúe el calentador sobre una superficie estable y nivelada. Asegúrese de que no haya corrientes fuertes de aire soplando en el calentador.
3. Abra lentamente la válvula del suministro de propano en el(los) tanque(s) de propano.
4. Gire la perilla del regulador del calentador en el sentido de las manecillas del reloj a la posición de "ALTO".
5. Presione y mantenga presionado el botón de la válvula de control automático (consulte la figura 3). Presione y suelte el botón ignitor piezo. Continúe presionando el botón del ignitor piezo hasta que se encienda el quemador. Mantenga presionada la pe-

FUNCIONAMIENTO

Continuación

rilla durante un máximo de 10 segundos mientras se intenta la ignición. Si no enciende el calentador, suelte la perilla de control y espere 30 segundos. Repita el paso 5 para encender el calentador. **Nota:** Mantenga las manos y la cara alejados de la salida (alrededor de la parte superior de la cubierta) del calentador mientras intenta encenderlo. Después de la ignición, mantenga presionada la perilla de control durante 30 segundos aproximadamente. Esto activa el sistema de control automático.

- Si el quemador no enciende después de varios intentos, no intente reparar el calentador. Regrese el calentador al centro de servicio autorizado más cercano o llame al Servicio técnico de DESA Heating Products al 1-866-672-6040.
- Cuando el quemador permanezca encendido, puede girar la perilla del regulador del calentador en el sentido de las manecillas del reloj hasta la configuración de calor deseada. Si se apaga el quemador, cierre el gas. Revise el suministro de combustible. Si el suministro de combustible está en orden, vuelva a encender el calentador.

PARA APAGAR EL CALENTADOR

- Cierre firmemente la válvula del suministro de propano en los tanques de propano girándola en el sentido de las manecillas del reloj. Espere 15 minutos a que se enfríe el calentador antes de manejarlo.
- Extraiga siempre del calentador y del tanque de propano la manguera del suministro de gas después de cada uso.

PARA VOLVER A ENCENDER EL CALENTADOR

- Espere cinco minutos después de detener el calentador.
- Repita los pasos que se describen en *Cómo encender el calentador*, página 4.

ALMACENAMIENTO

PRECAUCIÓN: Desconecte el calentador del (de los) tanque(s) de suministro de propano.

- No guarde el calentador mientras esté conectado al tanque de propano. Desmonte la manguera del suministro de gas del tanque de propano girando la tuerca del conector del gas combustible en el sentido de las manecillas del reloj.
- Guarde el(los) tanque(s) de propano de forma segura. Consulte el capítulo 5 de la *Norma de almacenamiento y manejo de gases licuados de petróleo, ANSI/NFPA 58 y/o CAN/CGA B149.2*. Siga todos los códigos locales. Guarde siempre los tanques de propano en el exterior. Nunca guarde el tanque de propano en un área cerrada.
- Ponga los tapones de plástico en los adaptadores de latón en el conector de entrada y el ensamblaje de la manguera/regulador.
- Almacénelo en un lugar seco, limpio y seguro.

MANTENIMIENTO

ADVERTENCIA: Nunca intente dar servicio a un calentador mientras esté conectado al suministro de propano, funcionando o caliente. Pueden producirse quemaduras serias.

- Mantenga el calentador limpio.
- Inspeccione al calentador antes de cada uso. Revise las conexiones en busca de fugas. Aplique una mezcla de jabón líquido y agua en todas las conexiones. La formación de burbujas indica una fuga que se debe corregir. Corrija todas las fugas inmediatamente.
- Inspeccione el ensamblaje de manguera/regulador antes de cada uso. Si la manguera está muy desgastada o con roturas, reemplácela.
- Haga que una persona de servicio calificada inspeccione el calentador una vez al año.

INSPECCIÓN DEL QUEMADOR

ADVERTENCIA: La cubierta, la parte superior y el aire caliente que sale del calentador están muy calientes durante el funcionamiento del calentador. Acérquese gradualmente al calentador para observar el color de la llama. No toque la cubierta o la parte superior del calentador. No se acerque demasiado al aire caliente que sale del calentador. Pueden producirse quemaduras serias.

Para revisar que la llama del quemador sea la apropiada, mire a través de los orificios de ventilación en la parte superior del calentador para ver la llama del quemador. La llama del quemador debe estar azul en su mayoría, con coloraciones amarillas en las puntas. Si la llama del quemador está amarilla en su mayoría, es posible que las aberturas principales en el tubo del quemador bajo la base del calentador estén bloqueadas (consulte la figura 4).

- Detenga el calentador (consulte *Cómo detener el calentador*) y permita que se enfríe.
- Vuelque el calentador para situar las aberturas principales de aire en el tubo del quemador (consulte la figura 4). Extraiga cualquier basura que esté bloqueando las aberturas principales de aire.

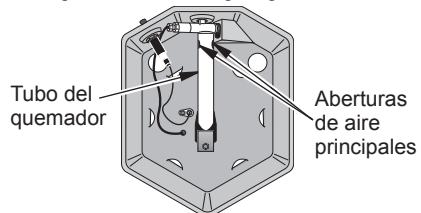


Figura 4 - Vista de la parte inferior del calentador

ESPECIFICACIONES

- Clasificación: Alta - 25,000 BTU/h (26.375 kJ/h), Baja - 15,000 BTU/h (15.826 kJ/h)
- Combustible - Sólo vapor de propano
- Consumo de combustible/hora: mín. 0.64 litros (0.17 gal.), máx. 1.02 litros (0.27 gal.), mín. 0.32 kg (0.70 lb), máx. 0.53 kg (1.16) lb
- Presión del suministro (al regulador):
Máxima - Presión del tanque, Mínima - 40 psi (275.8 kPa)
- Presión a la salida del regulador: Alta - 15 psi (103.4 kPa), Baja - 5 psi (34.4 kPa)

SERVICIO TÉCNICO

Es posible que tenga preguntas adicionales sobre la instalación, el funcionamiento o la solución de problemas. Si es así, comuníquese con el Departamento de servicio técnico de DESA Heating Products al 1-866-672-6040. Al llamar tenga a la mano los números de modelo y serie de su calentador.

También puede visitar el sitio web de servicios técnicos de DESA Heating Products en www.desatech.com.

SOLUCIÓN DE PROBLEMAS



ADVERTENCIA: Nunca intente dar servicio a un calentador mientras esté conectado al suministro de propano, funcionando o caliente. Pueden producirse quemaduras serias.

FALLA OBSERVADA

POSIBLE CAUSA

REMEDIO

El quemador no se enciende

1. Válvula del suministro de propano cerrada en el(los) tanque(s)
2. Bloqueo en el ensamblaje del quemador/válvula
3. El sistema de encendido piezo no produce chispa

1. Abra la válvula del suministro de propano lentamente
2. Vuelva a poner el ensamblaje del quemador/válvula
3. Asegúrese de que la cavidad del electrodo del ignitor es de 3.04 m (0.12"). Revise el cable conductor en busca de daños. Reemplace el ignitor piezo y/o el electrodo del ignitor, según sea necesario

El quemador se enciende pero se apaga cuando se suelta el botón de la válvula de control automático

1. El tiempo de calentamiento no es suficiente
2. Presión del gas baja
3. El termopar está flojo o se debe reemplazar
4. La válvula de control automática se debe reemplazar

1. Vuelva a encender, sostenga oprimido el botón de la válvula de control automático durante 45 segundos
2. Revise el(los) tanque(s) de propano para que haya un suministro de gas apropiado
3. Apriete la conexión o reemplace el termopar
4. Reemplace el ensamblaje de la válvula de control automático

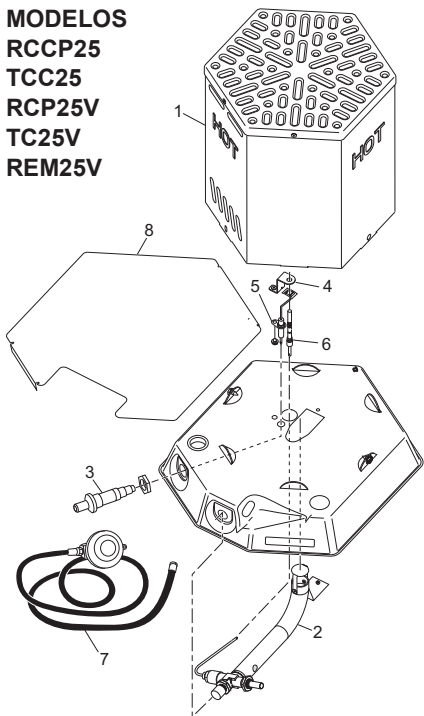
La tasa máxima de encendido es baja

1. Presión del gas baja
2. Suministro de combustible bajo
3. Orificios de gas tapados

1. Verifique el suministro de gas; verifique la salida del regulador
2. Consulte al proveedor de gas propano
3. Vuelva a poner el ensamblaje del quemador

CLASIFICACIÓN ILUSTRADA DE PIEZAS Y LISTA DE PIEZAS

MODELOS
RCCP25
TCC25
RCP25V
TC25V
REM25V



Esta lista contiene las partes reemplazables utilizadas en el calentador. Al hacer un pedido de piezas, siga las instrucciones listadas en *Piezas de repuesto* de este manual.

Nº	PIEZA NO.	DESCRIPCIÓN	CANT
1	101880-01	Ensamblaje de la cubierta	1
2	101864-01	Juego de ensamblaje del quemador	1
3	102445-01	Ignitor piezo con tuerca	1
4	103933-01	Soporte del termopar	1
5	101878-01	Electrodo del ignitor	1
6	099236-01	Juego del termopar	1
7	LPA3025	Ensamblaje de la manguera y el regulador	1
8	112392-01	Protector de la base	1
PIEZAS DISPONIBLES - (NO SE MUESTRAN)			
	111677-04	Etiqueta adhesiva del RCCP25	1
	111677-05	Etiqueta adhesiva del RCP25V	1
	111677-06	Etiqueta adhesiva del REM25V	1
	102597-02	Etiqueta adhesiva del TCC25	1
	102597-03	Etiqueta adhesiva del TCC25V	1
	111348-04	Etiqueta de advertencia	1
	111348-06	Etiqueta de advertencia	1
	111348-05	Etiqueta de funcionamiento	1
	111348-07	Etiqueta de funcionamiento	1
	112398-01	Etiqueta de clasificación de los EE.UU.	1
	112398-02	Etiqueta de clasificación de Canadá	1

PIEZAS DE REPUESTO

⚠ ADVERTENCIA: Use sólo piezas de repuesto originales. Este calentador debe usar piezas diseñadas específicamente. No las sustituya ni use piezas genéricas. El uso de piezas de repuesto inadecuadas puede ocasionar lesiones serias o fatales. Esto también protegerá la cobertura de su garantía para piezas reemplazadas con garantía.

PIEZAS CON GARANTÍA

Comuníquese con los distribuidores autorizados de este producto. Si no pueden suministrar piezas de repuesto originales, comuníquese con la central de piezas más cercana o llame a DESA Heating Products (EE.UU.) al 1-866-672-6040 o DESA

Industries (CAN) al 1-905-826-8010.

Cuando llame a DESA, tenga listo

- su nombre y dirección
- la falla del calentador
- la fecha de compra
- los números de modelo y de serie de su calentador

En la mayoría de los casos, le pediremos que regrese la pieza a la fábrica.

PIEZAS SIN GARANTÍA

Comuníquese con los distribuidores autorizados de este producto. Si no pueden suministrar piezas de repuesto originales, comuníquese con la central de piezas más cercana listada en el folleto de Centros de servicio autorizados que se proporcionó con el calentador, o llame a DESA Heating Products (EE.UU.) al 1-866-672-6040 o DESA Industries (CAN) al 1-905-826-8010 para obtener información de referencia.

Cuando llame a DESA, tenga listo

- el número de modelo de su calentador
- el número de la pieza de repuesto

GARANTÍA Y SERVICIO DE REPARACIÓN

GUARDE ESTA GARANTÍA

Modelo _____

N° de serie _____

Fecha de compra _____

GARANTÍA LIMITADA PARA PRODUCTOS NUEVOS Y REACONDICIONADOS DE FÁBRICA

Productos nuevos: DESA Heating Products garantiza este calentador y cualquiera de sus partes contra cualquier defecto en los materiales y mano de obra por un (1) año a partir del día de la compra, siempre y cuando se haya operado y dado mantenimiento de acuerdo con las instrucciones del fabricante. Estas garantías se extienden solamente al comprador minorista original, cuando se proporciona un comprobante de compra.

Calentadores reacondicionados de fábrica: DESA Heating Products garantiza este calentador y cualquiera de sus partes contra cualquier defecto en los materiales y mano de obra por treinta (30) días a partir del día de la compra, siempre y cuando se haya operado y dado mantenimiento de acuerdo con la instrucciones del fabricante. Estas garantías se extienden solamente al comprador minorista original, cuando se proporciona un comprobante de compra.

Esta garantía sólo cubre el costo de las piezas y de la mano de obra requeridos para restablecer el producto a su condición de operación adecuada. Los costos de transporte e incidentales asociados con reparaciones de garantía no son reembolsables bajo esta garantía.

El servicio de garantía está disponible sólo a través de distribuidores y centros de servicio autorizados.

Esta garantía no cubre defectos ocasionados por mal uso, abuso, negligencia, accidentes, falta de mantenimiento adecuado, desgaste normal, alteración, modificación, manipulación, combustibles contaminados, reparación usando piezas inadecuadas o reparación realizada por cualquiera que no sea un distribuidor o centro de servicio autorizado. El mantenimiento de rutina es responsabilidad del propietario.

ESTA GARANTÍA EXPRESA SE OTORGA EN LUGAR DE CUALQUIER OTRA GARANTÍA, YA SEA EXPRESA O IMPLÍCITA, INCLUYENDO GARANTÍAS O APROVECHAMIENTO Y APTITUD PARA UN PROPÓSITO EN PARTICULAR.

DESA Heating Products no asume ninguna responsabilidad por daños indirectos, incidentales o perjuicios. Algunos estados no permiten la exclusión o limitación de daños incidentales o perjuicios, o es posible que las exclusiones no sean aplicables a usted. Esta Garantía limitada le otorga derechos legales específicos y usted podría tener también otros derechos que varían de un estado a otro.

Esta garantía no cubre la decoloración debida al funcionamiento del calentador. Nos reservamos el derecho de modificar estas especificaciones en cualquier momento sin previo aviso. La única garantía aplicable es nuestra garantía por escrito regular. No otorgamos ninguna otra garantía, expresa o implícita.

SERVICIO DE GARANTÍA

Si su calentador requiere servicio, regréselo al centro de servicio autorizado más cercano. Se debe presentar una prueba de compra con el calentador. El calentador será inspeccionado. Un defecto puede ser ocasionado por materiales o mano de obra defectuosos. Si es así, DESA Heating Products reparará o reemplazará el calentador sin ningún cargo.

SERVICIO DE REPARACIÓN

Regrese su calentador al centro de servicio autorizado más cercano. Las reparaciones no cubiertas por la garantía se cobrarán a los precios regulares. Cada Centro de servicio tiene un propietario y una operación independientes. Nos reservamos el derecho de modificar estas especificaciones en cualquier momento sin previo aviso.

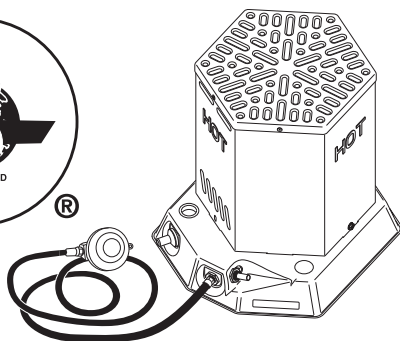
DESA[™]
INDOOR/OUTDOOR PRODUCTS
2701 Industrial Drive
P.O. Box 90004
Bowling Green, KY 42102-9004, EE.UU.
www.desatech.com

DESA[™]
INDUSTRIES OF CANADA, INC.
2220 Argentia Road, Unit #4
Mississauga, Ontario
L5N2K7

DESA™

INDOOR/OUTDOOR PRODUCTS

CONVECTEUR DE CHANTIER AU GAZ PROPANE MANUEL D'UTILISATION



Variable 15 000/25 000
Btu/heure Modèles

IMPORTANT: Veiller à lire et bien comprendre ce manuel avant de monter, de mettre en marche ou d'effectuer l'entretien de cet appareil. Son usage incorrect peut résulter en des blessures graves. Conserver ce manuel pour future référence.

⚠ AVERTISSEMENT GÉNÉRAL: Le non respect des mesures de sécurité et des instructions fournies avec cet appareil peut entraîner des blessures graves ou mortelles et des dommages matériels ou la perte de biens résultant d'un incendie, d'une explosion, de brûlures, d'une asphyxie et/ou d'un empoisonnement par oxyde de carbone.

Seules les personnes capables de comprendre et de suivre les instructions doivent utiliser ou procéder à l'entretien de cet appareil de chauffage.


Pour toute assistance ou l'obtention d'informations concernant l'appareil, telles que manuel d'instructions, autocollants, etc., contacter le fabricant.


TABLE DES MATIÈRES

Information relative à la sécurité	2	Entretien	5
Identification Du Produit	3	Inspection du brûleur	5
Déballage	3	Caractéristiques	6
Principe De Fonctionnement	3	Service Technique	6
Ventilation	3	Dépannage	6
Alimentation En Propane	4	Vue détaillée et liste des pièces	7
Installation	4	Pièces Détachées	7
Fonctionnement	4	Service de garantie et de réparation	Dos
Remisage	5		

**Conservez le présent manuel pour consultation future.
Pour en savoir davantage, visitez le www.desatech.com**

INFORMATION RELATIVE À LA SÉCURITÉ

 **AVERTISSEMENT : Ce produit contient ou génère des substances chimiques que l'état de Californie reconnaît comme pouvant entraîner le cancer, des anomalies congénitales ou d'autres troubles de reproduction.**

 **AVERTISSEMENT : Risques d'incendie, de brûlures et d'explosion. L'inhalation des gaz est dangereuse. Garder les combustibles solides, tels que matériaux de construction, papier ou carton à distance sûre de l'appareil, comme recommandé dans les instructions. Ne jamais utiliser l'appareil dans des locaux où se trouvent ou risquent de se trouver des combustibles volatils ou en suspension dans l'air, ou des produits tels que l'essence, les solvants, le diluant pour peinture, des particules de poussière ou des produits chimiques inconnus.**

 **AVERTISSEMENT: Cet appareil n'est pas conçu pour l'usage domestique ou dans un véhicule récréatif.**

Cet appareil est conçu pour le chauffage des chantiers de construction, conformément à la norme ANSI Z83.7/CGA 2.14. D'autres normes régissent l'usage de gaz combustibles et de produits de chauffage pour des applications spécifiques. S'informer auprès des autorités locales. La fonction primaire des appareils de chauffage pour la construction est d'assurer le chauffage temporaire de bâtiments en cours de construction, de rénovation ou de réparation. Correctement utilisé, cet appareil constitue un moyen de chauffage économique, en toute sécurité. Les produits de combustion sont propagés dans la zone chauffée.

Il nous est impossible de prévoir toutes les applications pour lesquelles nos appareils de chauffage sont utilisés. **Pour toute question concernant l'utilisation de l'appareil de chauffage, consulter les services locaux de prévention des incendies.**

Empoisonnement par oxyde de carbone : Certaines personnes sont plus sensibles que d'autres à l'oxyde de carbone. Les signes précoces de l'empoisonnement par oxyde de carbone ressemblent à ceux de la grippe : maux de tête, vertiges et/ou nausée. Si ces symptômes se manifestent, il se peut que l'appareil ne fonctionne pas correctement. **Se rendre immédiatement à l'air frais !** Assurer une ventilation adéquate et faire réparer l'appareil.

Propane : Le propane est inodore. Un agent odorisant lui est ajouté. L'odeur aide à la détection des fuites. Toutefois, l'efficacité de l'agent odorisant peut s'estomper et le propane peut être présent en l'absence de toute odeur.

Veiller à lire et bien comprendre tous les avertissements. Conserver ce manuel pour future référence. Il constitue le guide d'utilisation sûre et correcte de l'appareil de chauffage.

1. Installer et utiliser l'appareil avec précaution. Respecter toutes les réglementations et tous les codes locaux. En l'absence de tels codes et réglementations, se référer à : *Standard for Storage and Handling of Liquefied Petroleum Gas, ANSI/NFPA 58* et *Propane Installation Code CAN/CGA B149.2*. Ces publications concernent la sécurité d'entreposage et de manipulation du propane.
2. Utiliser exclusivement le flexible et le détendeur réglé en usine fournis avec l'appareil.
3. N'utiliser que du propane prévu pour être tiré sous forme de vapeur.
4. Conçu pour une utilisation à l'extérieur et à l'intérieur. Lorsqu'il est utilisé à l'intérieur, assurez-vous que l'espace est bien aéré. Vérifiez qu'il y a une entrée d'air frais de l'extérieur d'au moins 120 pouces carrés (774,2 cm²) avant d'utiliser le convecteur.
5. N'utilisez pas le convecteur dans les logements occupés, les locaux affectés au couchage, les caravanes, les tentes ou tout autre type d'espace non ventilé ou fermé.
6. Ne pas utiliser l'appareil au-dessous du niveau du sol. Le propane est plus lourd que l'air. En cas de fuite, ce gaz descend au plus bas niveau possible.
7. N'utilisez pas le convecteur pour la cuisson des aliments. Ne déposez rien sur le dessus du convecteur.
8. Tenir l'appareil à l'écart et protégé des matériaux combustibles tels que l'essence, le diluant pour peinture et autres vapeurs et liquides inflammables. La poussière est combustible. Ne pas utiliser l'appareil de chauffage dans un endroit très poussiéreux.
9. Distance minimum des combustibles : côtés - 0,9 m (1 pi), dessus - 1,8 m (6 pi).
10. Garder l'appareil à au moins 1,80 m (6 pi) des bouteilles de propane.
11. Garder les bouteilles de propane au-dessous de 38 °C (100 °F).
12. Avant chaque utilisation, vérifier que l'appareil de chauffage ne fuit pas. Ne jamais utiliser de

INFORMATION RELATIVE À LA SÉCURITÉ *Suite*

- flamme vive pour rechercher d'éventuelles fuites. Déposer une solution de savon liquide et d'eau sur tous les raccords. Une fuite provoque des bulles. Éliminer les fuites immédiatément.
- Vérifier que l'appareil n'est pas endommagé avant chaque usage. Ne pas utiliser un appareil de chauffage endommagé.
 - Vérifier le flexible avant chaque utilisation. S'il est très usé ou coupé, le remplacer par un flexible du type indiqué par le fabricant avant d'utiliser l'appareil.
 - Ne pas modifier l'appareil. Le conserver dans son état d'origine.
 - Ne pas utiliser l'appareil s'il a été modifié.
 - Si l'appareil est chaud ou en fonctionnement, le placer sur une surface plane et stable.
 - Ne bloquez jamais la prise d'air (partie supérieure de la base) ou la sortie d'air (près de la partie supérieure de l'enveloppe) du convecteur.
 - Garder l'appareil à l'écart des forts courants d'air, du vent, des jets d'eau, de la pluie ou des égouttements.
 - Ne jamais laisser fonctionner l'appareil de chauffage quand on dort ou sans surveillance.
 - Tenir les enfants et les animaux à l'écart de l'appareil.
 - Pour éviter des brûlures graves, ne jamais déplacer, manipuler ou réparer un appareil chaud, ou en fonctionnement. Attendre 15 minutes après avoir éteint l'appareil.
 - Pour éviter les risques de blessures, manipuler l'appareil avec des gants.
 - Toujours détacher l'appareil de la bouteille de propane après chaque utilisation. Toujours ranger la bouteille de propane à l'extérieur dans un endroit bien aéré, hors de la portée des enfants. Ne jamais ranger la bouteille de propane dans un bâtiment, un garage ni dans un endroit clos quelconque. Ne jamais ranger la bouteille de propane près d'une source de chaleur intense, d'une flamme vive, ni là où la température dépasse 49° C (120° F).
 - Fermer l'arrivée de gaz lorsque l'appareil n'est pas en usage.
 - Utiliser exclusivement des pièces détachées d'origine. Cet appareil doit utiliser des pièces spécialement conçues. Ne pas utiliser de substituts ni de pièces génériques. L'usage de pièces de rechange inadéquates peut résulter en des blessures graves ou mortelles.
 - Maintenir tous les raccords et toutes les garnitures propres. S'assurer que l'orifice de sortie de la valve de la bouteille de propane est propre. Avant chaque utilisation, vérifier que le joint torique en caoutchouc du connecteur d'arrivée de gaz à l'appareil n'est pas abîmé. Le remplacer s'il est usé ou endommagé.

IDENTIFICATION DU PRODUIT

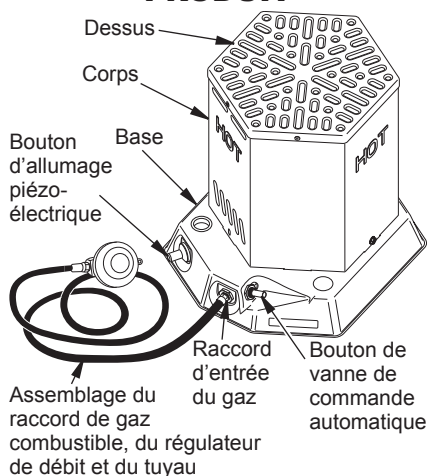


Figure 1 - Identification Du Produit

DÉBALLAGE

- Retirer tous les articles d'emballage utilisés pour l'expédition. Conserver les capuchons en plastique (du connecteur d'entrée de gaz et de l'ensemble flexible/détendeur) pour le remisage.
- Sortir toutes les pièces du carton.
- Inspecter toutes les pièces en vue de dommages subis en cours d'expédition. Si l'appareil est endommagé, informer immédiatement le revendeur chez qui il a été acheté.

PRINCIPE DE FONCTIONNEMENT

Alimentation en combustible : L'ensemble flexible/détendeur se branche sur la bouteille de propane pour alimenter l'appareil.

Allumage : L'allumeur piézo-électrique enflamme le brûleur.

Contrôle automatique du brûleur : Ce dispositif arrête l'appareil si la flamme s'éteint.

VENTILATION

⚠ AVERTISSEMENT : Vérifiez qu'il y a une ouverture sur l'extérieur d'au moins 120 pouces carrés (774,2 cm²) lorsque vous utilisez le convecteur. Si aucune ventilation d'air frais de l'extérieur n'est fournie, un empoisonnement au monoxyde de carbone peut se produire. Disposez d'une entrée d'air frais de l'extérieur adéquate avant d'utiliser le convecteur.

ALIMENTATION EN PROPANE

L'utilisateur doit fournir le gaz propane et la (les) bouteille(s).

Cet appareil ne doit être utilisé qu'avec un système d'alimentation à suppression de vapeurs de propane. Voir le chapitre 5 de *Standard for Storage and Handling of Liquefied Petroleum Gas, ANSI/NFPA 58* et *Propane Installation Code CAN/CGA B149*. Ces publications peuvent être obtenues auprès du service de lutte contre les incendies ou à la bibliothèque municipale.

La quantité de propane prêt à l'usage de la bouteille varie en fonction de deux facteurs :

1. La quantité de gaz dans la (les) bouteille(s)
2. La température de la (des) bouteille(s)

Ce convecteur est conçu pour fonctionner avec un réservoir d'au moins 20 lb (9 kg). Vous pourriez avoir besoin de deux ou de plusieurs réservoirs ou d'un réservoir plus grand par temps froid. Utilisez un réservoir de 100 lb (45 kg) pour une utilisation prolongée ou en cas de temps très froid. Moins de gaz se vaporise à basse température. Votre fournisseur de gaz propane local vous aidera à choisir le système d'alimentation qui vous convient.

Températures à la bouteille	Nombre de bouteilles 45 kg (100 lb)
dépasse -18° C (0° F)	1
ci-dessous -18° C (0° F)	2

Des réservoirs plus petits peuvent être utilisés pour des durées de fonctionnement limitées mais il est recommandé d'utiliser de grands réservoirs pour une performance optimale.

INSTALLATION

AVERTISSEMENT : Vérifier que toutes les conduites et tous les branchements de gaz sont exempts de fuites une fois l'installation terminée et après entretien ou réparation. Ne jamais utiliser une flamme pour détecter les fuites. Enduire tous les raccords d'eau savonneuse. La formation de bulles indique une fuite. Réparer immédiatement toute fuite.

1. Resserrez à la clé l'écrou du raccord d'admission du gaz sur la soupape du réservoir de propane (voir Figure 2). Tournez l'écrou du raccord d'admission du gaz dans le sens contraire des aiguilles d'une montre pour le serrer. Les filetages tournent à gauche.
2. Branchez le tuyau au raccord d'entrée (voir Figure 3). Resserrez fermement avec une clé.
3. Ouvrez lentement la soupape d'alimentation en propane du ou des réservoirs de propane. *Note* : si on ne l'ouvre pas lentement, la soupape de limitation de débit du réservoir de propane peut couper le gaz. Si cela se produit, vous pouvez entendre un clic à l'intérieur de l'assemblage du régulateur quand la soupape de limitation de débit se ferme. Pour réamorcer la soupape

- de limitation de débit, fermez la soupape d'alimentation en propane et rouvrez-la plus lentement.
4. Vérifiez que tous les branchements ne fuient pas. Appliquez un mélange de savon liquide et d'eau aux joints servant au gaz. L'apparition de bulles indique la présence d'une fuite qui doit être réparée.
 5. Fermez la soupape d'alimentation en propane.

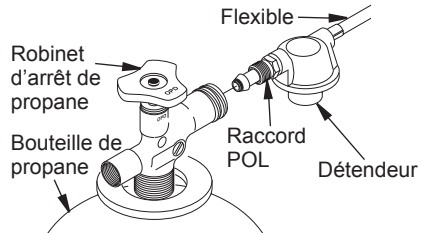


Figure 2 - Branchement de l'appareil de chauffage à une bouteille de propane

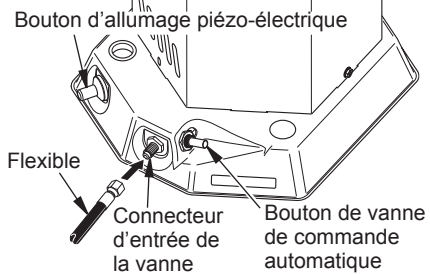


Figure 3 - Emplacement du raccord de tuyau et d'entrée, du bouton de la soupape de réglage automatique et du bouton d'allumage piézo-électrique

FUNCTIONNEMENT

AVERTISSEMENT : Revoir et veiller à bien comprendre les avertissements de la section Information relative à la sécurité, page 2. Ils sont essentiels à la sécurité d'utilisation de l'appareil. Respecter tous les codes locaux lors de l'utilisation de l'appareil.

MISE EN MARCHÉ

1. Suivez toutes les consignes d'installation, de ventilation et de sécurité.
2. Placez le convecteur sur une surface stable et de niveau. Assurez-vous qu'aucun courant d'air violent ne souffle sur le convecteur.
3. Ouvrez lentement la soupape d'alimentation en propane du ou des réservoirs de propane.
4. Tournez le bouton de réglage du convecteur dans le sens des aiguilles d'une montre à la position « HI ».
5. Enfoncez le bouton de la soupape de réglage automatique et maintenez-le dans cette position (voir Figure 3, page 4). Appuyez et relâchez le bouton

FONCTIONNEMENT

Suite

d'allumage piézoélectrique. Continuez d'appuyer sur le bouton d'allumage piézoélectrique jusqu'à ce que le brûleur s'allume. Appuyez sur le bouton de réglage pendant 10 secondes maximum lors de l'allumage. Si le convecteur ne s'allume pas, relâchez le bouton de réglage et attendez 30 secondes. Répétez l'étape 6 pour démarrer le convecteur. **Note** : Gardez les mains et le visage éloignés de la sortie d'air (près de la partie supérieure de l'enveloppe) du convecteur pendant l'allumage. Après l'allumage, appuyez sur le bouton de réglage pendant environ 30 secondes. Ceci met en marche le système de réglage automatique.

6. Si le brûleur ne s'allume pas après plusieurs tentatives, n'essayez pas de réparer le convecteur. Retournez le convecteur au centre de réparation autorisé le plus proche ou appelez le Service technique de DESA Heating Products au 1-866-672-6040.
7. Si le brûleur reste allumé, vous pouvez tourner le bouton de réglage du convecteur dans le sens des aiguilles d'une montre au niveau de chaleur désirée. Si le brûleur s'éteint, coupez le gaz. Si l'alimentation en gaz est bonne, redémarrez le convecteur.

ARRÊT DE L'APPAREIL

1. Resserrez fermement la soupape d'alimentation en propane des réservoirs de propane en tournant dans le sens des aiguilles d'une montre. Attendez 15 minutes que le convecteur refroidisse avant de le manipuler.
2. Débranchez toujours le tuyau d'alimentation en gaz du convecteur et du réservoir de gaz propane après chaque utilisation.

REMISE EN MARCHÉ

1. Attendre cinq minutes après l'arrêt de l'appareil.
2. Répéter les étapes de la section *Mise en marche*, page 4.

REMISAGE

ATTENTION : Débrancher l'appareil de la (des) bouteille(s) de propane.

1. N'entreposez jamais un convecteur raccordé à un réservoir de propane. Enlevez le tuyau d'alimentation en gaz du réservoir de propane en tournant l'écran du connecteur de gaz combustible dans le sens des aiguilles d'une montre.
2. Remiser la (les) bouteille(s) de propane en toute sécurité. Voir le chapitre 5 de *Standard for Storage and Handling of Liquefied Petroleum Gas, ANSI/NFPA 58* et *Propane Installation Code CAN/CGA B149.2*. Respecter tous les codes locaux. Toujours entreposer les bouteilles de gaz à l'extérieur. Ne jamais la remiser dans un lieu clos.
3. Installer les capuchons en plastique sur les connecteurs de l'arrivée du gaz et de l'ensemble flexible/détendeur.
4. Remiser les bouteilles dans un endroit sec, propre et sûr.

ENTRETIEN

AVERTISSEMENTS : Ne jamais procéder à l'entretien ou à la réparation de l'appareil lorsqu'il est raccordé à la bouteille de gaz, en fonctionnement ou chaud pour éviter les risques de brûlures graves ou de choc électrique.

1. Maintenir l'appareil propre.
2. Inspecter l'appareil avant chaque usage. Vérifier l'absence de fuites aux branchements. Enduire tous les raccords d'eau savonneuse. La formation de bulles indique une fuite. Réparer immédiatement toute fuite.
3. Inspecter l'ensemble flexible/détendeur avant chaque usage. Si le flexible est très usé ou coupé, le remplacer.
4. Faire inspecter l'appareil chaque année par un service qualifié.

INSPECTION DU BRÛLEUR

AVERTISSEMENT : L'enveloppe et la partie supérieure du convecteur ainsi que l'air qui en sort sont brûlants pendant le fonctionnement de l'appareil. Rapprochez-vous doucement du convecteur pour observer la couleur de sa flamme. Ne touchez pas l'enveloppe ou le dessus du convecteur. Ne vous approchez pas trop de l'air chaud sortant du convecteur. Des brûlures graves pourraient en résulter.

Pour vérifier la flamme du brûleur, observez-la par les orifices de ventilation de la partie supérieure du convecteur. La couleur dominante de la flamme du brûleur doit être bleue avec un peu de jaune à ses extrémités. Si la couleur dominante de la flamme du brûleur est jaune, les prises d'air principales du tube du brûleur sous la base du convecteur sont peut-être bloquées (voir Figure 4).

1. Éteignez le convecteur (voir *Pour éteindre le convecteur*) et laissez-le refroidir.
2. Retournez le convecteur pour repérer les prises d'air principales du tube du brûleur (voir Figure 4). Le cas échéant, enlevez les débris qui bloquent les prises d'air principales.

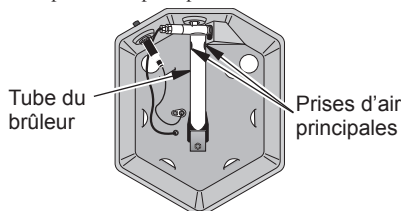


Figure 4 - Vue de dessous du convecteur

CARACTÉRISTIQUES

- Rendement: Élevé - 26.375 Kj/Hr (25.000 Btu/hr), Bas - 15.826 Kj/Hr (15.000 Btu/hr)
- Combustible - Vapeur de propane seulement
- Consommation en combustible/heure: Faible 0,64 litres (0,17 gal), Fort 1,02 litres (0,27 gal): Faible 0,32 kg (0,70 livres), Fort 0,53 kg (1,16 livres)
- Pression d'alimentation au détendeur: Fort - Pression de la bouteille, Faible - 275,8 kPa (40 psi)
- Pression de sortie du détendeur: Élevé - 103,4 kPa (15 psi), Bas - 34,4 kPa (5 psi)

SERVICE TECHNIQUE

Vous aurez peut-être d'autres questions concernant l'installation, le fonctionnement ou le dépannage. Si tel est le cas, communiquez avec le service technique de DESA Heating Products au 1-866-672-6040. Lorsque vous appelez, veuillez avoir les numéros de modèle et de série de votre appareil de chauffage sous la main. Vous pouvez aussi visiter le site Web des services techniques de DESA Heating Products au www.desatech.com.

DÉPANNAGE



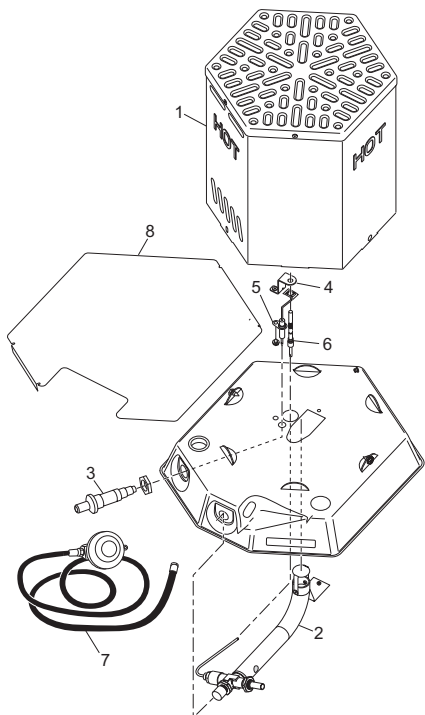
AVERTISSEMENT : Ne jamais procéder à l'entretien ou à la réparation de l'appareil lorsqu'il est branché sur le secteur, raccordé à la bouteille de gaz, en fonctionnement ou chaud pour éviter les risques de brûlures graves ou de choc électrique.

SYMPTÔME	CAUSE POSSIBLE	REMÈDE
Le brûleur ne s'allume pas	<ol style="list-style-type: none">1. Le robinet d'alimentation en propane de la (des) bouteille(s) est fermé2. Blocage dans l'assemblage de la soupape et du brûleur3. L'allumeur piézo-électrique ne produit pas d'étincelle	<ol style="list-style-type: none">1. Ouvrir lentement le robinet d'alimentation en propane2. Remplacez l'assemblage de la soupape et du brûleur3. S'assurer que l'électrode et la plaque de cathode est de 3,04 mm (0,12"). Vérifier que le fil n'est pas abîmé. Remplacer l'allumeur piézo-électrique et/ou son électrode si besoin est
Le brûleur s'allume mais s'éteint quand on lâche le bouton de la vanne de commande automatique	<ol style="list-style-type: none">1. Le préchauffage est trop court2. La pression du gaz est insuffisante3. Le thermocouple est desserré ou a besoin d'être remplacé4. La vanne de commande automatique a besoin d'être remplacé	<ol style="list-style-type: none">1. Rallumer et maintenir le bouton de la vanne de commande automatique appuyé pendant 45 secondes2. Vérifier la (les) bouteille(s) de propane pour assurer une alimentation correcte3. Resserrer ou remplacer le thermocouple4. Remplacer la vanne de commande automatique
Le taux de combustion maximal est bas	<ol style="list-style-type: none">1. La pression du gaz est insuffisante2. Il n'y a plus assez de gaz3. Les orifices des gicleurs de gaz sont bouchés	<ol style="list-style-type: none">1. Vérifier l'alimentation en gaz; vérifier le débit du détendeur2. Consulter le fournisseur du propane3. Remplacez l'assemblage du brûleur

VUE DÉTAILLÉE ET LISTE DES PIÈCES

Cette liste est celle des pièces remplaçables de l'appareil de chauffage. Lors de la commande de pièces, suivre les instructions de la rubrique *Pièces détachées*.

MODÈLES RCCP25, TCC25, RCP25V, TC25V, REM25V



N°	N° DE RÉF	DESCRIPTION	QTÉ
1	101880-01	Assemblage de l'habillage	1
2	101864-01	Prêt-à-monter de l'assemblage du brûleur	1
3	102445-01	Allumeur piézoélectrique avec écrou	1
4	103933-01	Support du thermocouple	1
5	101878-01	Électrode de l'allumeur	1
6	099236-01	Prêt-à-monter de l'allumeur du thermocouple	1
7	LPA3025	Ensemble de flexible et détendeur	1
8	112392-01	Plaque de protection du fond	1
PIÈCES DISPONIBLES PAS ILLUSTRÉES			
	111677-04	RCCP25 Autocollant	1
	111677-05	RCP25V Autocollant	1
	111677-06	REM25V Autocollant	1
	102597-02	TCC25 Autocollant	1
	102597-03	TC25V Autocollant	1
	111348-04	Étiquette d'avertissement	1
	111348-06	Étiquette d'avertissement	1
	111348-05	Étiquette d' fonctionnement	1
	111348-07	Étiquette d' fonctionnement	1
	112398-01	Étiquette des normes électriques américaines	1
	112398-02	Étiquette des normes électriques canadiennes	1

PIÈCES DÉTACHÉES

⚠ AVERTISSEMENT : Utiliser exclusivement des pièces de rechange d'origine. Cet appareil ne peut utiliser que des pièces spécialement conçues. Ne pas utiliser des pièces différentes ou d'autre fabricants. L'usage de pièces incorrectes peut causer des blessures graves ou mortelles ou entraîner l'annulation de la garantie.

PIÈCES SOUS GARANTIE

Contactez les concessionnaires agréés de ce produit. Si les pièces de rechange d'origine ne sont pas disponibles chez les concessionnaires agréés, appelez DESA Heating Products (US) au

1-866-672-6040 ou DESA Industries (CAN) au 1-905-826-8010, et être prêt à fournir:

- Nom
- Adresse
- Description du problème
- Date d'achat
- Numéros de modèle et de série l'appareil

En général, nous vous demanderons de retourner la pièce à l'usine.

PIÈCES NON COUVERTES PAR LA GARANTIE

Contactez les concessionnaires agréés de ce produit. Si les pièces de rechange d'origine ne sont pas disponibles chez les concessionnaires agréés, appelez DESA Heating Products (US) au 1-866-672-6040 ou DESA Industries (CAN) au 1-905-826-8010, et être prêt à fournir:

- Numéro de modèle de l'appareil
- Numéro de référence de la pièce

SERVICE DE GARANTIE ET DE RÉPARATION

CONSERVEZ CETTE GARANTIE

Modèle _____

Numéro de série _____

Date de l'achat _____

GARANTIES LIMITÉES POUR LES PRODUITS NEUFS ET LES PRODUITS REMIS EN ÉTAT

Produits neufs : DESA Heating Products garantit que cet appareil de chauffage et ses pièces sont exempts de défauts de matériaux et de fabrication et cela pour une durée d'un (1) an à partir de la date du premier achat, lorsque l'appareil de chauffage est utilisé et entretenu en conformité avec les instructions du fabricant. Ces garanties ne protègent que l'acheteur au détail d'origine, lorsqu'une preuve d'achat est fournie.

Appareils de chauffage remis en état : DESA Heating Products garantit que cet appareil de chauffage remis en état en usine et ses pièces sont exempts de défauts de matériaux et de fabrication et cela pour une durée de trente (30) jours à partir de la date du premier achat, lorsque l'appareil de chauffage est utilisé et entretenu en conformité avec les instructions du fabricant. Ces garanties ne protègent que l'acheteur au détail d'origine, lorsqu'une preuve d'achat est fournie.

Cette garantie ne couvre que le coût des pièces et de la main-d'œuvre nécessaires à la remise en état de fonctionnement correct du produit. Les frais d'expédition et autres concernant les pièces ne sont pas remboursables aux termes de cette garantie.

La garantie ne peut être obtenue qu'après des revendeurs et centres de réparations agréés.

Cette garantie ne couvre pas les défaillances résultant d'un usage incorrect ou abusif, de négligence, d'accidents, de manque d'entretien, d'usure normale, de modifications de toute nature, de contamination du carburant, d'usage de pièces incorrectes pour les réparations, ou de réparations par toute autre entité que le concessionnaire ou le centre de réparations agréé. Les entretiens de routine sont la responsabilité du propriétaire.

CETTE GARANTIE EXPRESSE REMPLACE TOUTE AUTRE GARANTIE, EXPRESSE OU IMPLICITE, Y COMPRIS LES GARANTIES DE VALEUR MARCHANDE OU D'ADÉQUATION À UN USAGE PARTICULIER.

DESA Heating Products décline toute responsabilité pour les dommages directs ou indirects. Certains états ou provinces ne permettant pas l'exclusion ou la limitation des dommages directs ou indirects, ces exclusions et limitations peuvent ne pas toujours être applicables. Cette garantie donne à l'acheteur des droits juridiques spécifiques. Ce dernier peut également bénéficier d'autres droits qui varient selon les états et provinces.

Cette garantie ne couvre pas la décoloration causée par l'utilisation de l'appareil de chauffage. Nous nous réservons le droit d'amender les présentes spécifications à tout moment, sans préavis. La seule garantie en vigueur est notre garantie écrite standard. Nous ne faisons aucune autre garantie, qu'elle soit expresse ou implicite.

RÉPARATIONS SANS GARANTIE

Si l'appareil doit être réparé, le retourner au centre de réparations agréé le plus proche. L'appareil doit être accompagné d'une preuve d'achat. L'appareil sera inspecté. Un problème peut être causé par un défaut de matériaux ou de fabrication. Dans ce cas, DESA Heating Products s'engage à réparer ou à remplacer gratuitement l'appareil.

SERVICE DE RÉPARATIONS

Retourner l'appareil au centre de réparations agréé le plus proche. Les réparations non couvertes par la garantie seront facturées au tarif standard. Chaque centre de réparations est une entreprise indépendante. Nous nous réservons le droit d'amender les présentes spécifications à tout moment, sans préavis.

DESA[™]
INDOOR/OUTDOOR PRODUCTS

2701 Industrial Drive
P.O. Box 90004
Bowling Green, KY 42102-9004
www.desatech.com

DESA[™]
INDUSTRIES OF CANADA, INC.

2220 Argentia Road, Unit #4
Mississauga, Ontario
L5N2K7



112396 01
NOT A UPC

112396-01
Rev. B
07/05