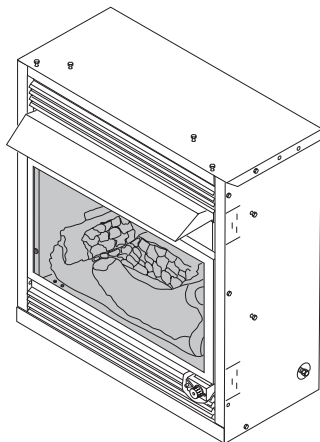


DESA™

HEATING PRODUCTS

HFL200 SERIES BRICK LINER KIT INSTALLATION INSTRUCTIONS



IMPORTANT: Read entire instruction sheet before installing brick liner.

This brick liner accessory is for use in Series 3 dual burner compact vent-free gas fireplace systems. Do not use brick liner accessory in any other fireplace models.

The Brick Liner Kit contains the following:

- 1 - Rear Firebrick Panel
- 2 - Side Firebrick Panels
- 2 - Retainer Brackets
- 2 - #10 Screws

Tools required:

- Phillips Screwdriver

If any of these parts are missing or damaged, contact dealer where you purchased this kit. If they cannot supply original replacement parts, either contact your nearest Parts Central or call DESA Heating Products at 1-866-672-6040 for information.

IMPORTANT: Always handle firebrick panels with two hands.

WARNING: Turn off, unplug, and let fireplace cool before installing brick liner. Only a qualified service person should service and repair fireplace.

1. To remove screen, lift screen up off the screws in front of fireplace (see Figure 1).

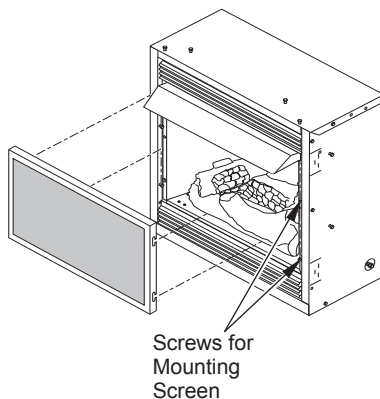


Figure 1 - Removing Fireplace Screen

2. Carefully lift up and remove one-piece log set.
3. Install rear firebrick panel on back wall first. Rest the bottom edge of firebrick panel on base assembly. Stand firebrick panel straight up against the back of fireplace (see Figure 2). **Note:** Side brick liners will hold rear firebrick in place.
6. Repeat steps 4 and 5 to install right side firebrick panel.
7. Replace log set. Make sure log set is put in the proper position. See *Installing Log* in the fireplace owners manual.
8. Replace screen (see Figure 1, page 1).

⚠ CAUTION: Always handle firebrick panels with two hands. Do not force firebrick panels into place. Excessive force will break firebrick panels.

4. Carefully slide left side firebrick panel into fireplace. Gently press the firebrick panel back against the side wall (see Figure 3).
5. Secure side firebrick panel to side wall of fireplace with one retainer bracket and screw (see Figure 4, page 3). **Note:** If there is a screw in the fireplace side walls where you are to install the retaining bracket, remove screw.

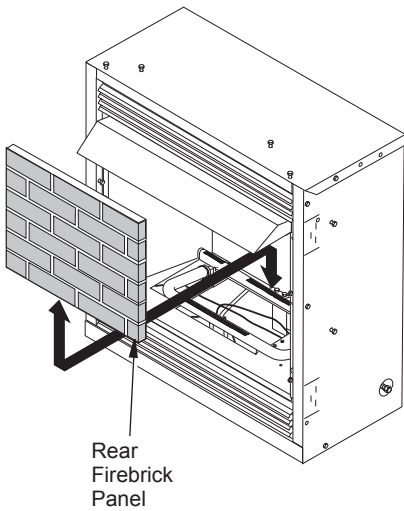


Figure 2 - Placing Rear Firebrick Panel in Fireplace

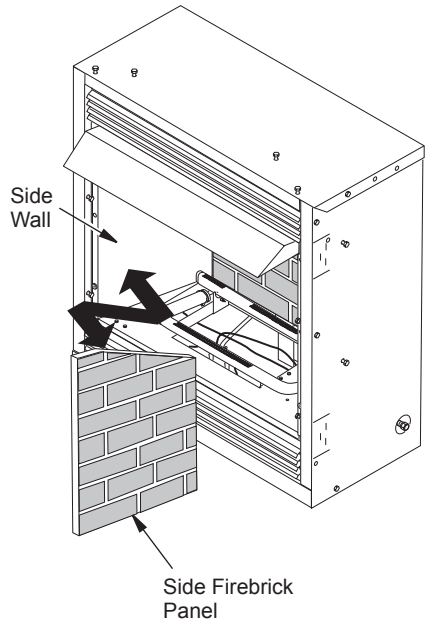


Figure 3 - Placing Side Firebrick Panel in Fireplace

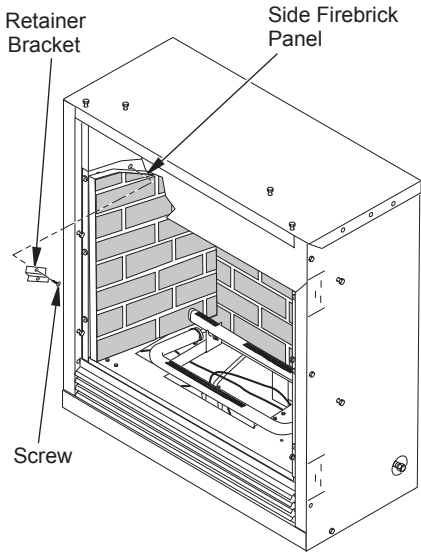


Figure 4 - Securing Side Panel with Retainer Bracket

DESA™
HEATING PRODUCTS™

2701 Industrial Drive
P.O. Box 90004
Bowling Green, KY 42102-9004
www.desatech.com



116462 01

NOT A UPC

116462-01
Rev. A
03/05