



# **Linux Device Driver Kit**

## **User's Manual**

**v1.4**



## **Background**

eSrijan Innovations Private Limited specializes in creation of innovative Automation Products & Solutions. eSrijan innovations are a combination of one or more of various Engineering streams, &/or Medical Systems, with applied Science & Technology. eSrijan Products are primarily targeted for the Indian majority. And, eSrijan Solutions are customized OEM products for specific customers.

eSrijan Innovations, an Indian Institute of Science Alumni venture, was incorporated in February 2010. It is supported by a strong group of mentors including entrepreneurs and field experts. It is powered by a team, with average industry experience of more than 25 years.

In product space, eSrijan is creating energy & education related products. In the solution space, it has its say in both rural and urban automation, ranging from daily chores to automotive. eSrijan is driving its solution development from its head-quarters in Bangalore, India.

### **Contact Details**

Email: [products@eSrijan.com](mailto:products@eSrijan.com)

Website: <http://lddk.eSrijan.com/>

**Errata & Correspondence:** For any errata, correction, feedback or any other correspondence regarding this document, feel free to contact us at the above mentioned contact details.

## Revision History

Revision	Published Date	Description
1.0	13 <sup>th</sup> March 2011	First version of the Linux Device Driver Kit's User Manual as per fw v1.0
1.1	5 <sup>th</sup> April 2011	Updated as per fw v1.1. Control endpoint request CUSTOM_RQ_GET_MEM_SIZE added. USB driver samples renamed with name prefix 'uctl' changed to 'ddk'. Reference to serial_comm (minicom like application) added. LDDK block driver sample information added.
1.2	13 <sup>th</sup> June 2011	Mentioned that 8-LED Array would work only with a direct serial port connection. Updated the various sample driver and application file names, as per the enhancements in the LDD templates.
1.3	1 <sup>st</sup> August 2011	Updated as per fw v1.2. Default state of PGM LED has been changed to “on”, indicating a healthy firmware.
1.4	22 <sup>nd</sup> May 2013	Corrected the website link. Added information on the Linux Device Driver Kit's USB vendor id & device id. Also added the information about the request type of the control requests.



## Table of Contents

Background.....	2
Chapter 1: Introduction.....	5
Chapter 2: Sections of LDDK board.....	6
Chapter 3: LED-Array Control through DB9 connector.....	8
Chapter 4: LDD Kit as a USB device.....	10
Chapter 5: LDD Kit as a Block device.....	14

## **Chapter 1: Introduction**

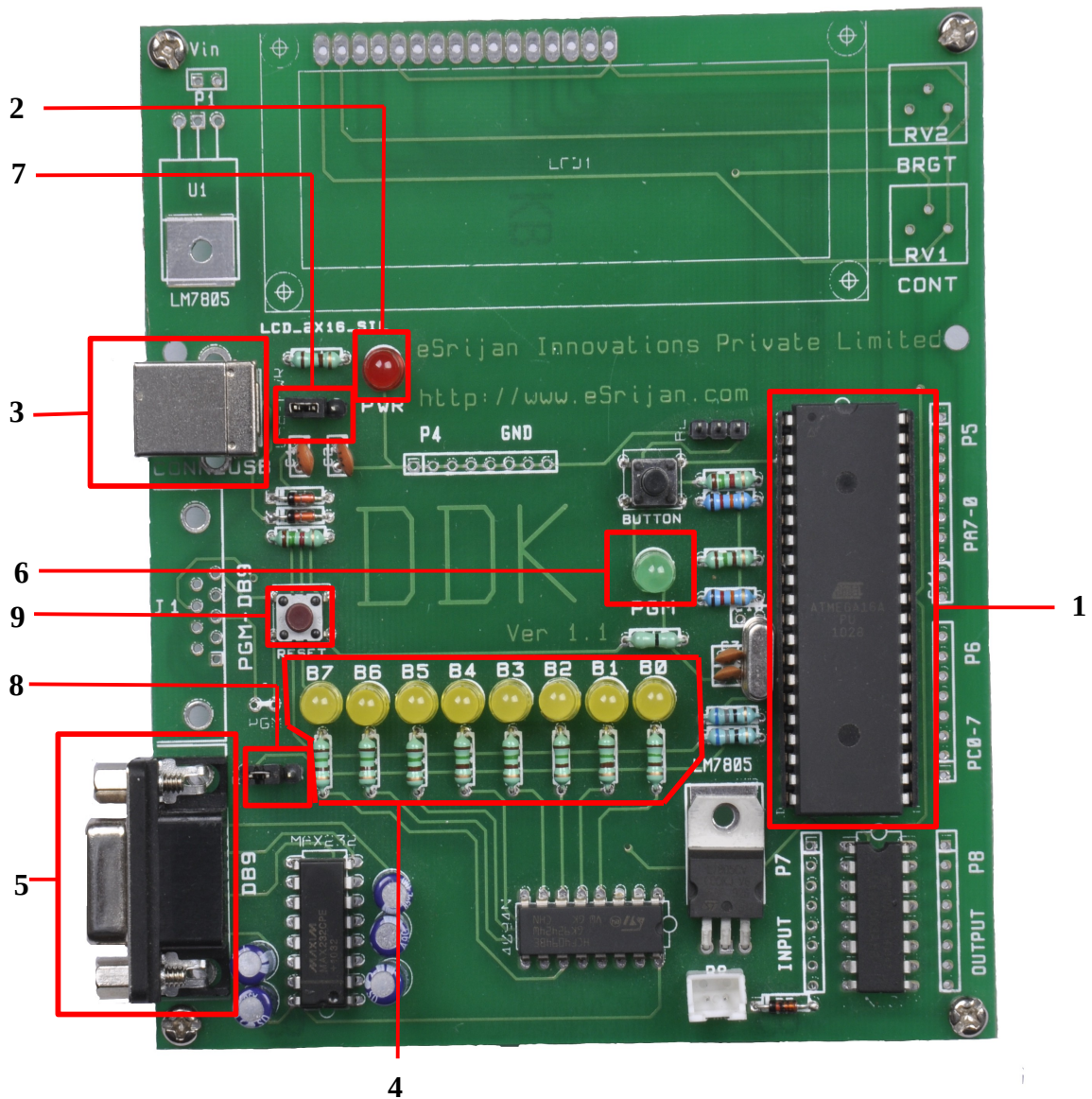
The Linux Device Driver Kit or LDDK (in short) is the first board of its kind based on popular Atmel's microcontroller ATMega16. It is a USB Device clocked at 16 Mhz with the free vendor ID 0x16C0, reserved by Objective Development (<http://www.obdev.at>), for shared usage for open hardwares. The product ID of LDDK has been chosen as 0x05DC, the one specified for vendor class devices.

The LDDK is based on the design of DDK v1.1 and has been designed for both non-experienced users who make their first steps in the world of microcontrollers and professional programmers who search for a universal platform to write a Linux Device Driver.

### **Features:**

- 1) AVR uC based USB Device (clocked @ 16MHz)
- 2) With minimum of 16KiB Flash and 512B EEPROM
- 3) USB Powered - No additional power adaptor required
- 4) 8-LED Array for Character Device Driver programming through DB9 i/f
- 5) EEPROM accessibility as Character Device
- 6) Contains USB2Serial circuitry for USB Device Driver programming
- 7) Enabled with Block Device Driver programming over EEPROM/Flash
- 8) 2 line x 16 character driver controllable display interface
- 9) Self-upgradable for future new functionalities
- 10) And for an Electronics Hobbyist, it be additionally used for:
  - Stepper Motor Control
  - Upto 16 independent Digital I/O Controls
  - Upto 8 independent ADC Inputs
  - Upto 3 independent PWM Outputs (optional)
  - Various automation using Sensors
  - By custom programming as a uC-based device through standard HID i/f

## Chapter 2: Sections of LDDK board



1. Atmega16 Microcontroller – Brain of the LDDK
2. Power LED – Glows to show the LDDK is powered up
3. USB Cable connector – USB Device Port and Power Supply input
4. B7:B0 – 8-LED Array indicating bits B7 to B0 (driven over DB9 connector)
5. Female DB9 connector – For LED-Array & RS232 communication
6. PGM – Toggle LED (controlled over USB). (In fw ver  $\geq$  1.2, its default state has been changed to “on” indicating a healthy firmware.)
7. PWR – Power Jumper (to be kept on left side for powering through USB)
8. RX – Serial Jumper (to be kept on right side for LED-Array communication and on left side for RS232 communication)
9. (Controller) Reset Switch

## Chapter 3: LED-Array Control through DB9 connector

LED-Array is a sequence of 8 LEDs, which are driven by serial data input from B7 to B0, one bit per clock. So, 8 -ve edge (high → low) clock transitions are needed to drive the complete 8-bit data onto the 8 LEDs.

**Configuration:** RX jumper need to be on the right side.

**Connection:** Connect the female connector of the serial cable to your PC's serial port and male connector of the serial cable to the LDDK's DB9 connector. Please note that the PC's serial port should be a direct one, not an indirect one like USB2SERIAL or so.

### Relevant DB9 Pin Connections:

Male DB9 Pin No.	USART Pin Meaning	LED-Array Significance
3	Tx (Transmitter)	Data (0: LED On; 1: LED Off)
4	DTR (Data Terminal Ready)	Clock (High to Low: Shifts Data)

### Examples:

- 1) To glow B0 – Set USART “Tx” line low, and then send a “High” → “Low” signal over USART “DTR” line. Note that pulling “Tx” line low is not same as sending “0” on it, rather it setting the break.
- 2) To switch off B0 – Set USART “Tx” line high, and then send a “High” → “Low” signal over USART “DTR” line. Note that setting “Tx” line high is not same as sending “1” on it, rather it releasing the break (the default state of “Tx” line)
- 3) To glow B1 & switch off B0 – Set USART “Tx” line low, and then send a “High” → “Low” signal over USART “DTR” line. Then, set USART “Tx” line high, and then send a “High” → “Low” signal over USART “DTR” line.

**Driver Code Sample:** led\_board.c

**Explanation:** This sample interfaces the LDDK as a character device interface



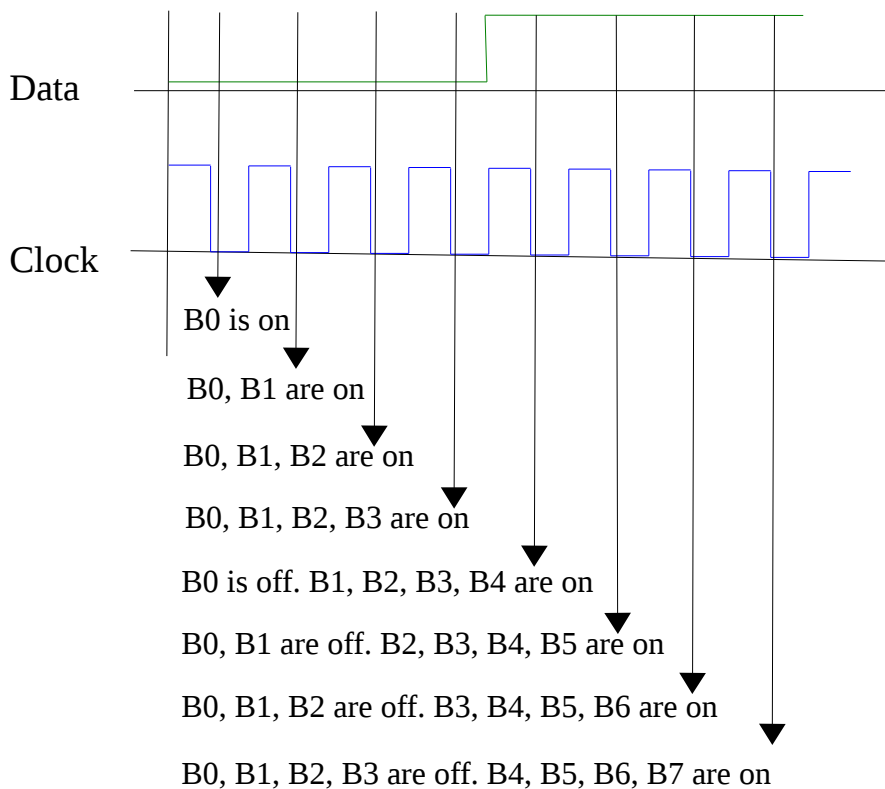
/dev/led0 to display the data sent as the ASCII value on the LED-Array.

**Application Code Sample:** led\_ops.c

**Other possible Applications:** Pattern Display, Blinking Lights, Buzzer Display for 8 Teams.

**Waveforms: (Data & Clock with the LED bit states on every clock)**

For switching on B7, B6, B5, B4, and switching off B3, B2, B1, B0



## Chapter 4: LDD Kit as a USB device

LDDK's firmware version 1.0 and higher provides majorly 3 USB device functionalities. The most basic form of USB communication is through something called an *endpoint*. A USB endpoint can carry data in only one direction, either from the host computer to the device (called an OUT endpoint) or from the device to the host computer (called an IN endpoint). Endpoints can be thought of as unidirectional pipes. LDDK's firmware version 1.0 and higher provides 5 such endpoints for the various functionalities. The universal control endpoint 0, which is both IN & OUT. And 2 interrupt IN and 2 interrupt OUT endpoints.

**Configuration:** RX jumper need to be on the left side (only for the USB to Serial communication).

**Connection:** Connect the type A connector of the USB cable to your PC's USB connector and the type B connector of the USB cable to the LDDK's USB Device Port. Additionally for USB to Serial communication, connect the female connector of the serial cable to your PC's serial port and male connector of the serial cable to the LDDK's DB9 connector.

### Endpoint Details:

- 1. Control endpoint 0** – Commonly used for configuring the device, retrieving information about the device, sending commands to the device, or retrieving status reports about the device. Usually used for small control transactions. Every valid USB device has to have this control endpoint 0 that is used by the USB host controller to understand the device. For our LDDK, it is additionally used to:
  - a) On/off the PGM LED (CUSTOM\_RQ\_SET\_LED\_STATUS: 1)
  - b) Know the current status PGM LED (CUSTOM\_RQ\_GET\_LED\_STATUS: 2)
  - c) Set the memory read offset (CUSTOM\_RQ\_SET\_MEM\_RD\_OFFSET: 3)
  - d) Get the memory read offset (CUSTOM\_RQ\_GET\_MEM\_RD\_OFFSET: 4)
  - e) Set the memory write offset (CUSTOM\_RQ\_SET\_MEM\_WR\_OFFSET: 5)
  - f) Get the memory write offset (CUSTOM\_RQ\_GET\_MEM\_WR\_OFFSET: 6)
  - g) Get the memory size (CUSTOM\_RQ\_GET\_MEM\_SIZE: 7) (Only in fw ver >= 1.1)The defines & numbers in () are the corresponding request numbers for the

vendor specific request type for the recipient device, typically denoted by the flags `USB_TYPE_VENDOR | USB_RECIP_DEVICE`. Additionally, the request numbers 1, 3, 5 are for OUT (`USB_DIR_OUT`), and 2, 4, 6 are for IN directions (`USB_DIR_IN`), respectively. For the OUT requests, the parameter is passed through the value field of the control request. For the IN requests, the data is received through the data field of the control request. The index field of control request is ignored for all our requests.

For request `CUSTOM_RQ_SET_LED_STATUS`, a value of 0 switches off the PGM LED and a value of 1 switches it on.

For request `CUSTOM_RQ_GET_LED_STATUS`, the current PGM LED status is available in the bit 0 of byte 0 of the data received – 0 for off and 1 for on.

For requests `CUSTOM_RQ_SET_MEM_RD_OFFSET` and `CUSTOM_RQ_SET_MEM_WR_OFFSET`, value is the 16-bit memory offset to be set.

For requests `CUSTOM_RQ_GET_MEM_RD_OFFSET` and `CUSTOM_RQ_GET_MEM_WR_OFFSET`, the 16-bit memory offset to be obtained through the byte 0 & byte 1 of the data received – byte 0 being the LSB and byte 1 the MSB.

### **Driver Code Samples:**

- For LED specific control commands: `ddk_led.c`, `ddk_led.h`, `ddk.h`
- For memory specific control commands: `ddk_mem.c`, `ddk_mem.h`, `ddk.h`

**Explanation:** These samples provide the LDDK as auto-detected character device interfaces `/dev/usb/ddk_led0` and `/dev/usb/ddk_mem0`, respectively. These interfaces provide various `ioctl` system calls to provide the above control endpoint request functionalities to the user space.

### **Application Code Samples:**

- For LED specific control commands: `usb_ops.c`
- For memory specific control commands: `usb_mem.c`

**Addendum:** A single collated example driver made of `ddk_usb.c`, `ddk_usb.h`, `ddk.h` is also available, providing character device interface `/dev/usb/ddk0`. The corresponding application for this is `usb_test.c`.

**Interrupt IN endpoints** transfer small amounts of data at a fixed rate every

time the USB host asks the device for data. **Interrupt OUT endpoints** transfer small amounts of data at a fixed rate every time the USB host sends the data to the device. Both these transfers are guaranteed by the USB protocol to always have enough reserved bandwidth to make it through.

- 2. Interrupt IN endpoint (MEM\_EP\_IN: 0x81):** This is the endpoint to receive/read data from the memory (fw v1.0 supports only EEPROM) from the current memory read offset, which is incremented automatically by how many bytes have been read. A single read request has to be exactly of 8 bytes. The memory size supported is 512 bytes (0x200).

**Driver Code Sample:** ddk\_mem.c, ddk\_mem.h, ddk.h

**Explanation:** This sample provides the LDDK as a auto-detected character device interface /dev/usb/ddk\_mem0. This interface provides the read system call to provide the above interrupt endpoint request functionality to the user space.

**Application Code Sample:** usb\_mem.c

- 3. Interrupt OUT endpoint (MEM\_EP\_OUT: 0x01):** This is the endpoint to send/write data to the memory (fw v1.0 supports only EEPROM) starting at the current memory write offset, which is incremented automatically by how many bytes have been written. A single write request can be maximum of 8 bytes. The memory size supported is 512 bytes (0x200).

**Driver Code Sample:** ddk\_mem.c, ddk\_mem.h, ddk.h

**Explanation:** This sample provides the LDDK as a auto-detected character device interface /dev/usb/ddk\_mem0. This interface provides the write system call to provide the above interrupt endpoint request functionality to the user space.

**Application Code Sample:** usb\_mem.c

- 4. Interrupt IN endpoint (SER\_EP\_IN: 0x82):** This is the endpoint to

receive/read data from the serial port (DB9 connector of LDDK) through USB. A single read request has to be exactly of 8 bytes, though less than 8 bytes may be returned, which need to appropriately handled by the driver developer.

**Driver Code Sample:** ddk\_u2s.c, ddk\_u2s.h, ddk.h

**Explanation:** This sample provides the LDDK as a auto-detected character device interface /dev/usb/ddk\_u2s0. This interface provides the read system call to provide the above interrupt endpoint request functionality to the user space.

**Application Code Sample:** usb\_ops.c, serial\_comm.c

5. **Interrupt OUT endpoint (SER\_EP\_OUT: 0x02):** This is the endpoint to send/write data to the serial port (DB9 connector of LDDK) through USB. A single write request can be maximum of 8 bytes.

**Driver Code Sample:** ddk\_u2s.c, ddk\_u2s.h, ddk.h

**Explanation:** This sample provides the LDDK as a auto-detected character device interface /dev/usb/ddk\_u2s0. This interface provides the write system call to provide the above interrupt endpoint request functionality to the user space.

**Application Code Sample:** usb\_ops.c, serial\_comm.c

**Help:** For this functionality to work properly, the RX jumper should be on the left side. In case, if it still gives problems, try resetting the micro-controller using the red “reset” button. Make sure that all the serial communication applications like serial\_comm, minicom, gkterm, hyper-terminal, ... are quit before trying this.

**NB All these USB related code samples must be tried mutually exclusively – meaning unload all others to try the next one. (Important !!!)**

## Chapter 5: LDD Kit as a Block device

LDDK's firmware version 1.0 and higher provides 1 USB device functionality for supporting the Block device interface, namely through the endpoints MEM\_EP\_IN (0x82) and MEM\_EP\_OUT (0x01). These endpoints have been already explained in the previous chapter. See sections 2 & 3 for endpoint details. The same endpoints may be used to provide the LDDK as a block device interface.

**Connection:** Connect the type A connector of the USB cable to your PC's USB connector and the type B connector of the USB cable to the LDDK's USB Device Port.

**Driver Code Sample:** `ddk_storage.c`, `ddk_storage.h`, `ddk_block.c`, `ddk_block.h`

**Explanation:** This sample provides the LDDK as a auto-detected block device interface `/dev/ddk`. This interface provides the block reads & writes to provide the above interrupt endpoints' requests functionality to the user space.

**Driver Code Reference:** `ram_block.c`, `ram_device.c`, `ram_device.h`, `partition.c`, `partition.h`

**Explanation:** This reference code interfaces the RAM as block device interface `/dev/rb*`, with partitioning. It may be used as a reference to provide the LDDK as a similar block device interface with partitioning.

**Recommended Applications:** `dd`, `cat`, `echo`, `od -t x1`