

User Manual

QUEEN PEARL with base cabinet PEARL (integral)

Serves chilled still and carbonated water.



Your retailer

.....

.....

U / EN
Rev 090914

1.	Contents	2
2.	Notes for the user	3
3.	Using the machine	4
4.	Installation Queen Pearl with base cabinet	5-6
4.	Installation Queen Pearl for integrated fitting	7-9
5.	Care and maintenance, replacing a water filter	10
6.	Cleaning the machine	11
7.	Important	12

Thank you for choosing a Queen Pearl water dispenser - we hope you will enjoy the benefits of using it.

Queen Pearl is supplied with a base cabinet.

Pillar with 2 tap outlets and base cabinet with cooler.

Base cabinet made from stainless steel plate with painted side panels. Top board in wood.

Dispenses both chilled still and chilled carbonated water.

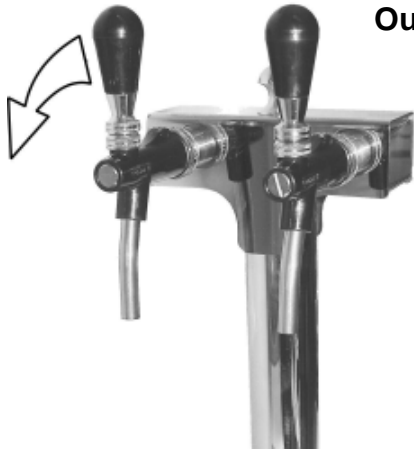
Read the manual carefully before using the machine for the first time.

It contains important instructions for the correct and safe use of

the machine. Always keep the manual in a place that can be easily accessed by the user.

Technical data:	Pearl	Pearl with base cabinet
<p>Height</p> <p>Width</p> <p>Depth</p> <p>Power supply</p> <p>Cold water connection</p> <p>Cooling capacity</p> <p>Refrigerant</p> <p>Power</p> <p>Automatic water replenishment</p> <p>Chilled water</p> <p>Carbonated water</p> <p>Gas dome + nipple</p> <p>Water filter</p> <p>Carbon dioxide cylinder *</p> <p>*Carbon dioxide cylinders may be purchased from your local gas distributor.</p> <p>TECHNICAL SPECIFICATIONS, Chiller System AS45</p> <p>Drink temperature</p> <p>Power supply</p> <p>Coolant</p> <p>Vessel volume</p> <p>Weight</p> <p>External dimensions</p> <p>Width</p> <p>Height</p> <p>Depth</p>	<p>480 (tap pillar)</p> <p>170 (tap pillar)</p> <p>-</p> <p>230V / 10A</p> <p>1/2"</p> <p>40 litres per hour</p> <p>HFC-134A</p> <p>Single phase, 453W</p> <p>Yes</p> <p>Yes</p> <p>Yes</p> <p>supplied</p> <p>supplied</p> <p>No</p> <p>height 580 x width 185</p> <p>5-8 °C</p> <p>230 V, 50 Hz</p> <p>R 134a</p> <p>14 l</p> <p>32 kg</p> <p>435 mm</p> <p>490 mm</p> <p>415 mm</p>	<p>1325</p> <p>400</p> <p>400</p> <p>230V / 10A</p> <p>1/2"</p> <p>40 litres per hour</p> <p>HFC-134A</p> <p>Single phase, 647W</p> <p>Yes</p> <p>Yes</p> <p>Yes</p> <p>supplied</p> <p>integral</p> <p>No</p> <p>height 580 x width 185</p>

Outlet for carbonated water



Outlet for still water

Chilled drink outlet.

Queen Pearl has two chilled drink outlets.

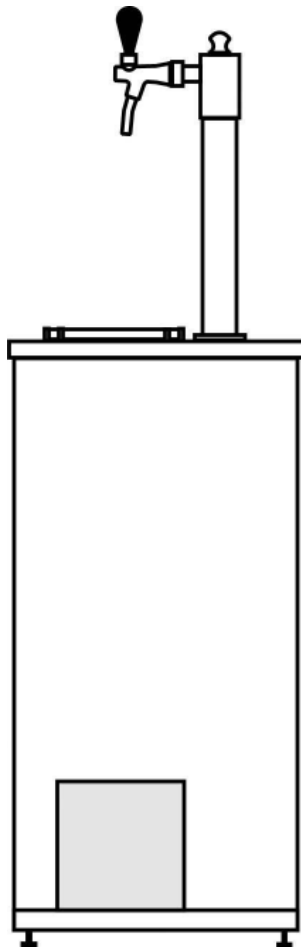


Hold a glass under the outlet for your selected drink. Pull the handle forwards and the water will flow for as long as you keep the handle pulled. See Figure 1.

Figure 1



Installation must be carried out by a qualified fitter.



Installation of Queen Pearl base cabinet.

1. Place the machine on a flat surface that is impermeable to water.
2. (If necessary, use a spirit level and adjust using the machine's adjustable feet).
3. Make sure air is able to circulate freely around the machine. (Min. 10cm).

IMPORTANT!

The machine must be disconnected from the mains before any work is carried out.

Disconnect the power supply cable from the wall socket.

The end customer/ user is responsible for ensuring that the water connection is compliant with the manufacturer's instructions.

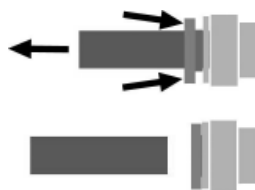
NOTE

WORKING WITH THE CONNECTIONS

Hold the connection and press the hose as far into the connection's body as possible.

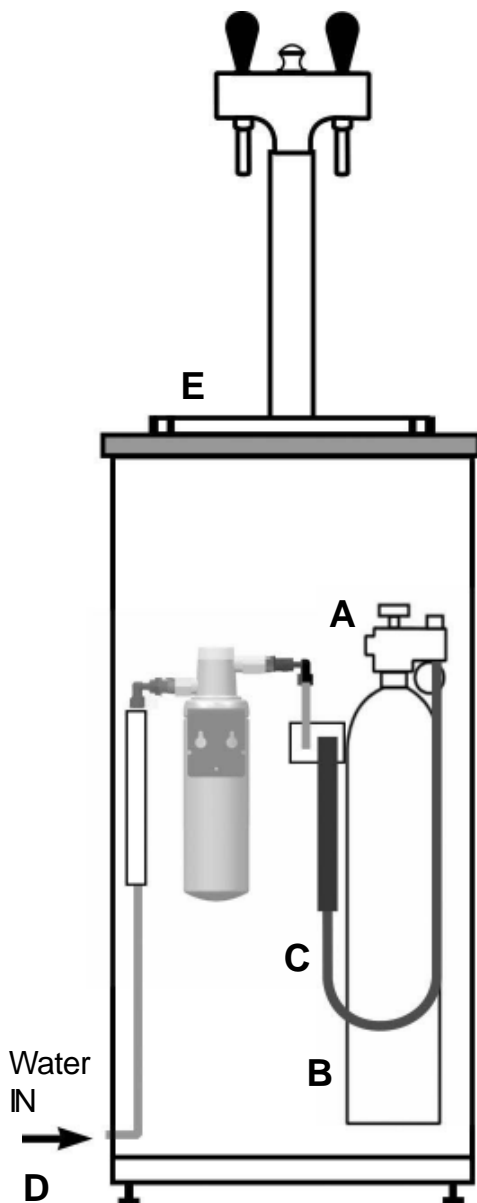
Disconnecting the John Guest connection

Push the grey ring out towards the connection and pull out the hose.



If the water hoses need to be cut, make a straight cut in order to prevent leakage.

Installation must be carried out by a qualified fitter.



Installation of Queen Pearl with base cabinet.

Install the machine using the supplied water hoses and gas dome.

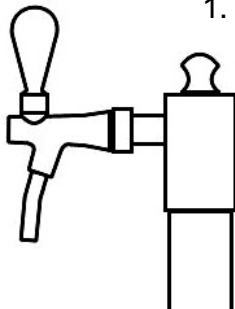
4. Undo the rear section of the machine.
5. Mount the gas dome (A) on the carbon dioxide cylinder (B) and then fit the supplied nipple on the gas dome. Connect the carbon dioxide cylinder to the cooling unit using the water hose (C).
6. Connect the supplied 1/2" hose to the machine (D) and then to the water main. It is recommended that you connect the hose to a shut-off tap. Check that no kinks or sharp bends have formed on the hoses during connection.
7. Fit the tap bosses, see Figure 1.
8. Fit the drip tray (E).
9. Connect the plug to an **earthed 230V 10A wall socket.**



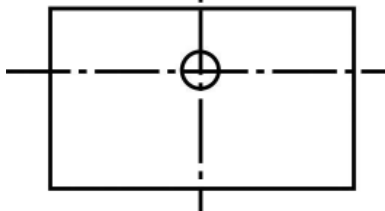
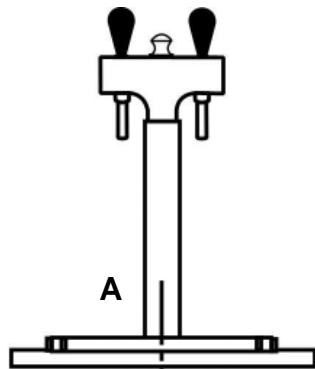
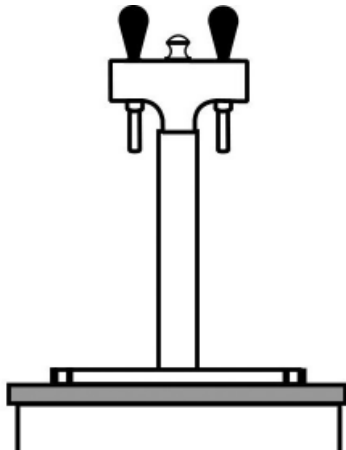
10. Flush out approx. 2.5 litres of chilled still water and then approx. 2.5 litres of carbonated water before putting the machine into use.



Figure 1.



Installation must be carried out by a qualified fitter. **CHILLER SYSTEM INSTALLATION AND SITING:** See page 12.



(Figure 1.)



(Figure 2.)

Installation of Queen Pearl for integrated fitting

1. The machine must be placed on a flat surface that is impermeable to water. The tap pillar shall be fitted on material that has a high stress tolerance and is impermeable to water.
2. Install the machine using the supplied water filter, hose connections, water hoses and gas dome. (If necessary, use a spirit level).

3. **Installation in cabinet. NB** The cooling unit must be installed in a well-ventilated area that is at normal room temperature, (approx. 16°C - 28°C). Make sure air is able to circulate freely around the cooling unit.

IMPORTANT!

The machine must be disconnected from the mains before any work is carried out. **Pull the mains cable from the wall socket.**

The end customer/ user is responsible for ensuring that the water connection is compliant with the manufacturer's instructions.

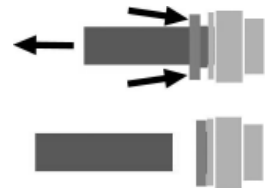
NOTE

WORKING WITH THE CONNECTIONS

Hold the connection and press the hose as far into the connection's body as possible.

Disconnecting the John Guest connection

Push the grey ring out towards the connection and pull out the hose.

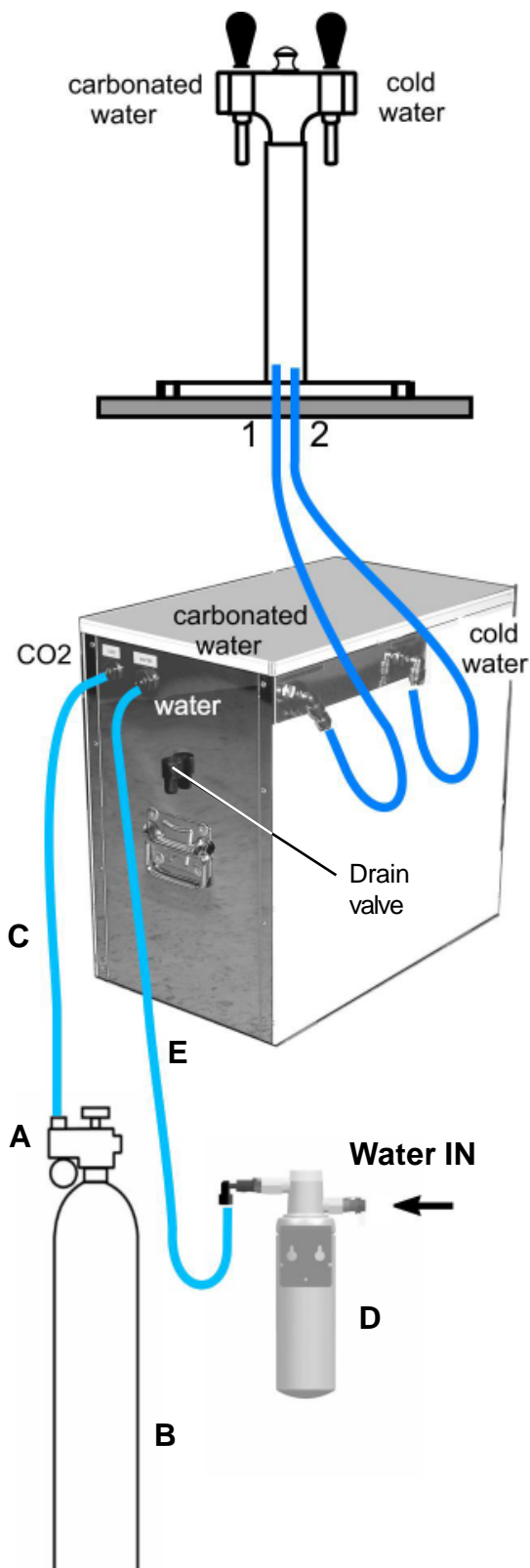


If the water hoses need to be cut, make a straight cut in order to prevent leakage.

Fitting the tap pillar.

4. Fit the tap pillar (A) by drilling a 50mm diameter hole in the bench top. See Figure 1.
5. Screw the tap pillar into position using the supplied fittings. See Figure 2.

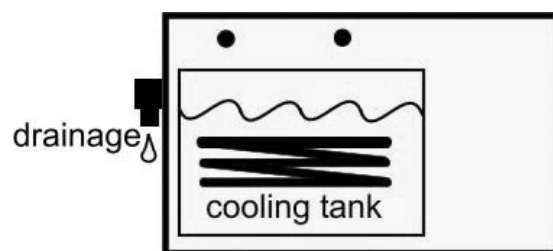
Installation must be carried out by a qualified fitter.



Installation of Queen Pearl for integrated fitting

6. Connect the water hose from **carbonated water** on the cooling unit to **carbonated water** on the tap pillar. Then connect the water hose from **cold water** on the cooling unit to **cold water** on the tap pillar.
7. Mount the gas dome (A) on the carbon dioxide cylinder (B) and then fit the supplied nipple on the gas dome. Connect the carbon dioxide cylinder to cooling unit inlet **CO2** using the hose (C).
8. Fit the water filter (D) and connect the filter to the water cooling unit inlet using the hose (E).
9. Connect the supplied 1/2" hose to the water filter and then to the water main. It is recommended that you connect the hose to a shut-off tap. Check that no kinks or sharp bends have formed on the hoses during connection.
10. Fit the drip tray and the tap bosses. See page 9.

11. **IMPORTANT! Fill with water**
Before starting the cooling unit, it must be filled with water. Lift the cooling unit cover and fill the cooling tank with tap water until water runs out from the drain valve.



12. Connect the plug to an **earthed 230V 10A wall socket**.
13. Flush out approx. 2.5 litres of chilled still water and then approx. 2.5 litres of carbonated water before putting the machine into use.

Installation of drip tray and tap handles.

Installation must be carried out by a qualified fitter.

14.. Place the drip tray under the tap pillar. See Figure 3.



Figure 3.

Drip tray

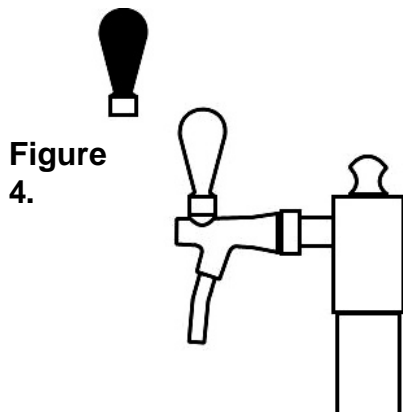


Figure 4.

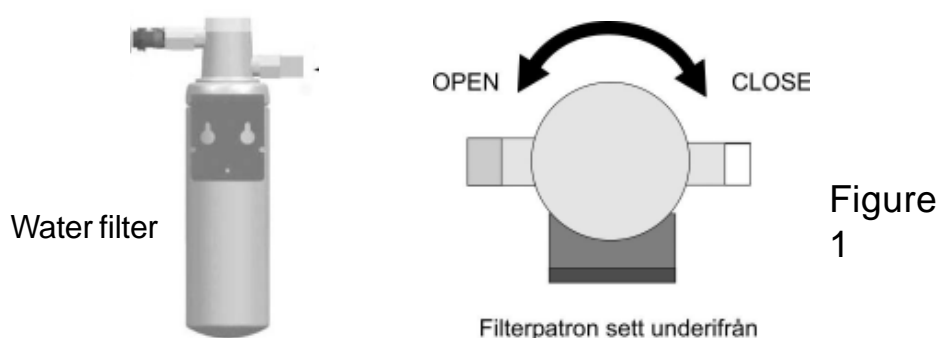
15.. Screw the supplied handles in position. See Figure 4.

Fitting and replacing the water filter. To be replaced every 6 months.

The machine is supplied with a water filter that must be replaced every 6 months in order to retain the quality of the water.

REPLACEMENT OF WATER FILTER The water filter can be replaced under pressure.

1. Remove the filter cartridge by rotating it a quarter turn. See Figure 1.
2. Fit the new filter cartridge by rotating it a quarter turn. See Figure 1.



Only use Coffee Queen water filters: Article no.: **1505344**

3. IMPORTANT!

Before the machine is put back into use:

Hold a glass under the outlet for your selected drink.
Pull the cold water handle forwards until water comes out.
See Figure 2.

Figure 2.



Daily cleaning or as required.



Clean with a moist, non-abrasive cloth.
Empty and clean the drip tray and the drip tray insert every day.

Important

Do not make any alterations to the machine. Doing so may result in personal injury and cause the machine to break down.

The machine should stand on a flat surface so that it will function properly.

The machine must be placed on a surface that is impermeable to water so that any leaks will be visible. Make sure that no kinks are formed in the hose during installation or when machine is moved into position. The machine's hose and HVAC connections must be checked on a regular basis. Make sure that no leakage has occurred in connection with installation.

With a water connection, there is always a danger of leakage, regardless of any safety equipment used.

If the machine is to be put into storage for an extended period of time, it must be completely drained of water.

Shut off the water taps if the machine is not to be used for an extended period of time.

Before carrying out any maintenance, the machine must be disconnected from the mains electricity supply by pulling the plug from the wall socket.

INSTALLATION AND SITING: CHILLER SYSTEM

The system is designed to be used in standard environments in accordance with CSN standard 33 2000-3 and is included in climate class N.

It must not be sited close to a heating source or exposed to direct sunlight.

The system is designed to be used in ambient temperatures of between 6°C (minimum) and 28°C (maximum).

The system must not be used or sited in areas with an ambient temperature below 0°C.

ELECTRICAL CONNECTION

Connect the system to 220–240 V, 50 Hz and 10 A. The electrical installation plug must be compliant with applicable CSN regulations, EN and ISO standards. If the cable is damaged, it must be replaced by qualified personnel. This is to prevent accidents.

TEMPERATURE AND SETTINGS:

The temperature of chilled drinks is controlled by means of a mechanical temperature regulator between 3°C and 10°C. There is a scale from 1 to 7 on the temperature regulator.

(1 = approx. 10°C, 7 = approx. 3°C, 0 = off).

CONNECTION AND SERVICE:

The condenser shall be cleaned every 6 months in conjunction with replacing the water filter.

When cleaning, use compressed air. Do not place anything on the chiller that may hinder air circulation.

Only clean when the chiller is not under power!

All installation work must be carried out by qualified personnel.

WATER LINE



FOR SERVICE

Please contact

Your local retailer

.....

.....

.....

CREM International AB

Box 960, SE-671 29 ARVIKA, Sweden

Tel.: +46 (0)570 477 00, Fax: +46 (0)570-47719

E-mail: info.se@creminternational.com www.creminternational.com

Art. no. 1730010