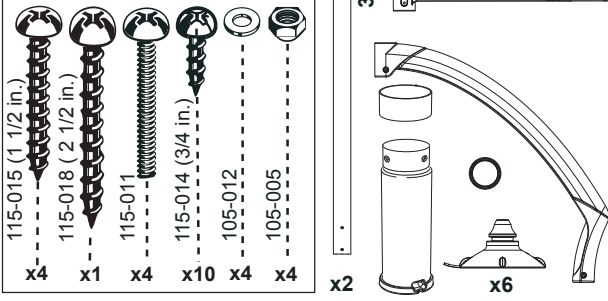


MAJESTIC 8000 WITH CLASSIC 6004

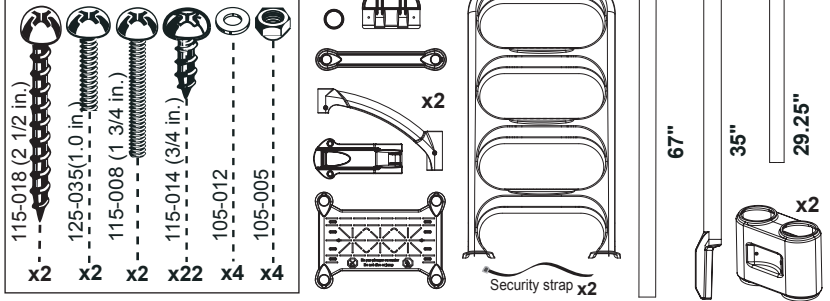
Contents of SKU box # 8000

SCREW KIT 140-019



Contents of the ladder box SKU # 6004

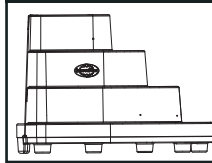
SCREW BAG 558-001



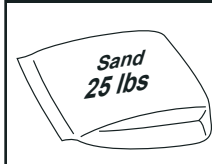
⚠ WARNING

- ◆ Do not dive or jump from step or ladder.
- ◆ Use BATTERY operated tools to avoid electric shocks.
- ◆ Install step on flat surface, following the manufacturers instructions.
- ◆ Remove step from pool during freezing climate season.
- ◆ Manufacturer cannot be held responsible for injuries caused by abusive use of product.
- ◆ Ask your city about specific regulations that apply to your above-ground pool and ladder.

Majestic step



Sand (not incl.)

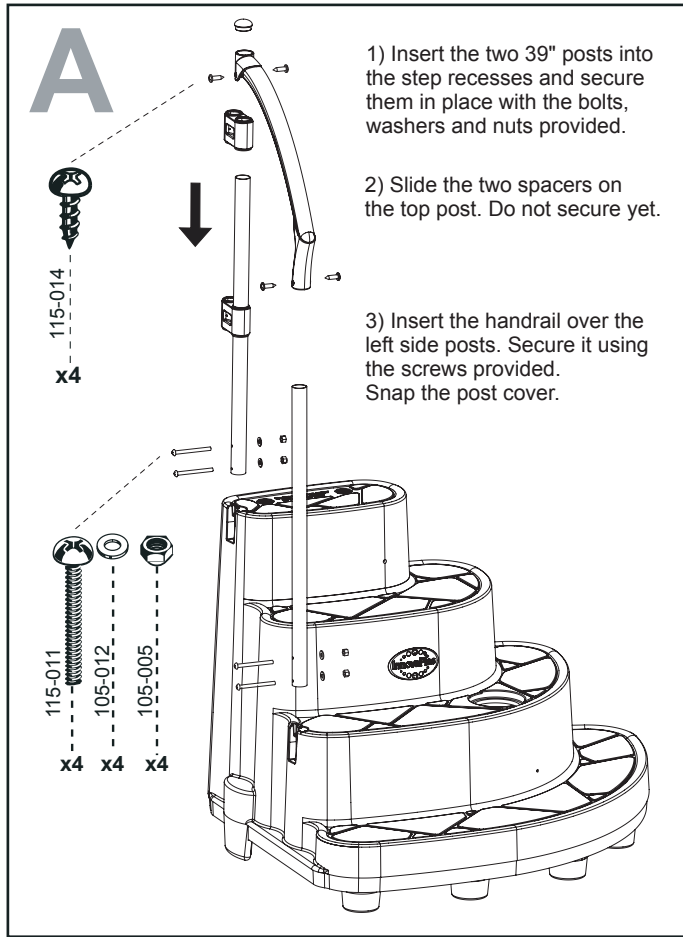
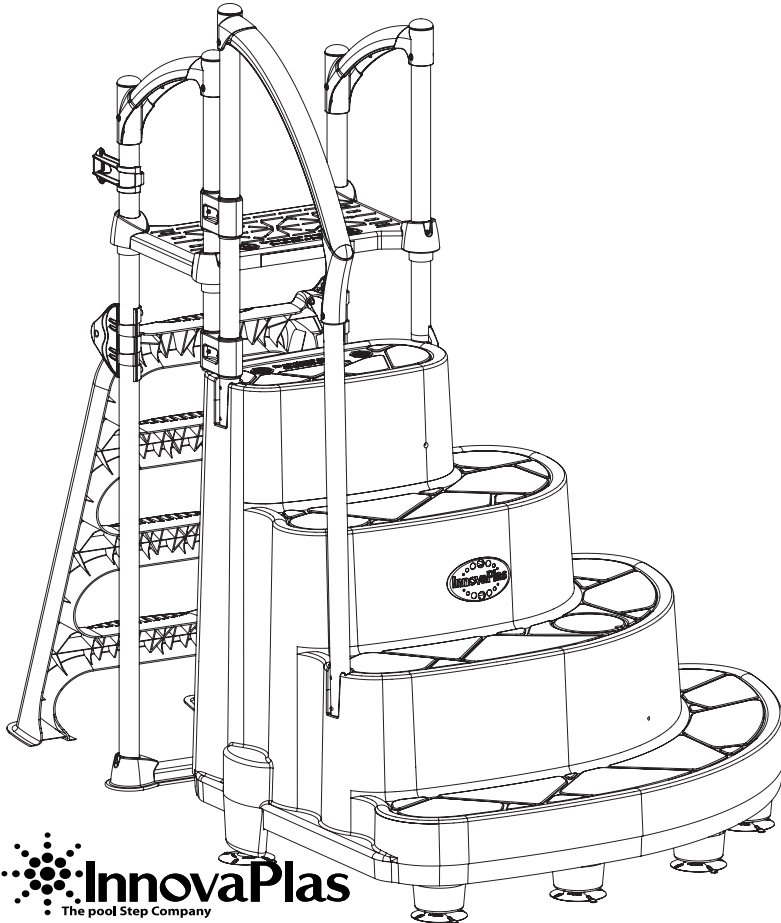
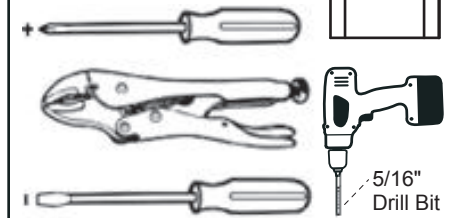


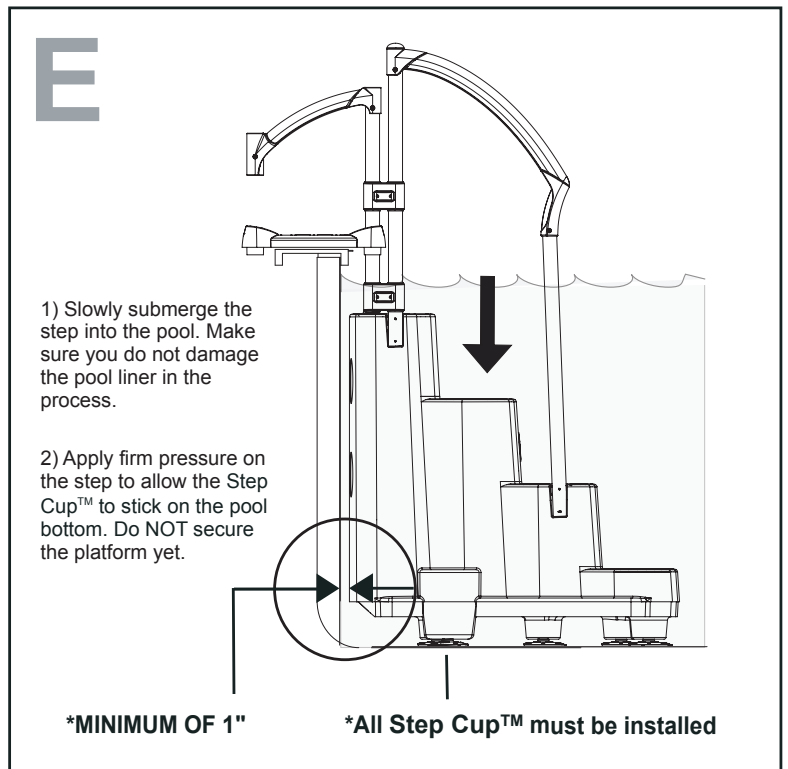
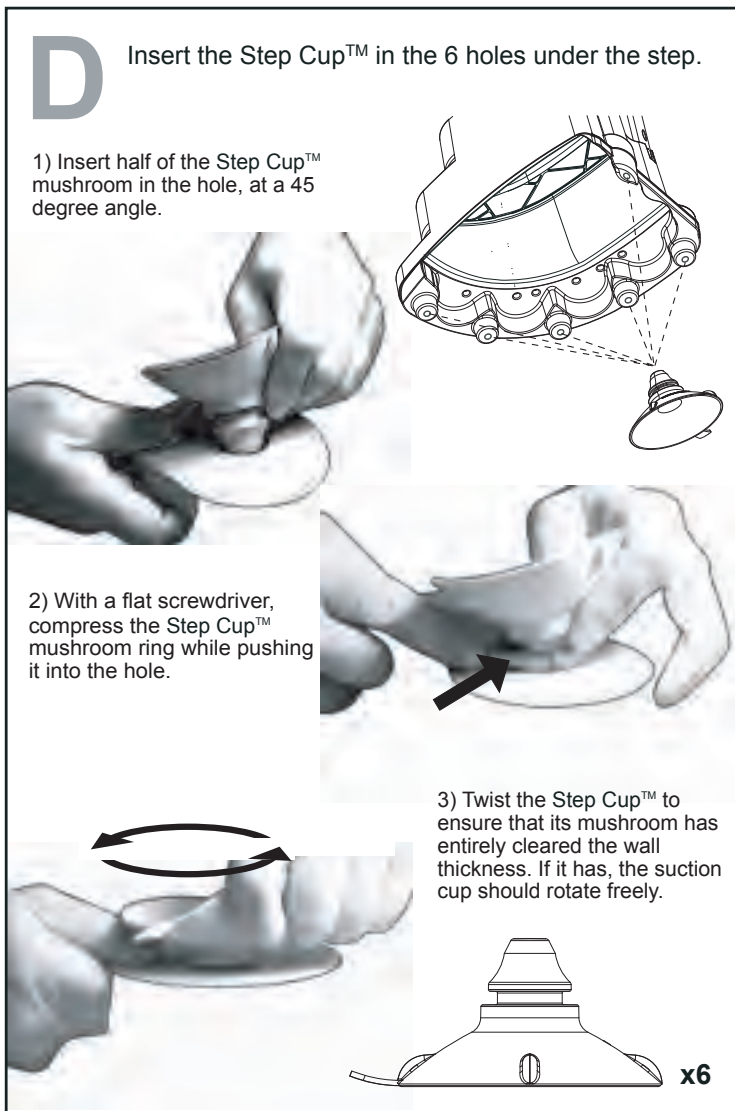
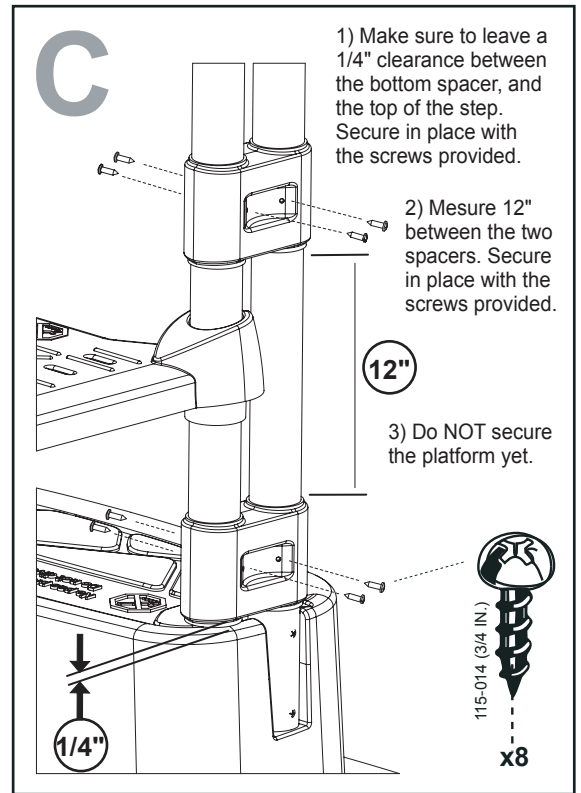
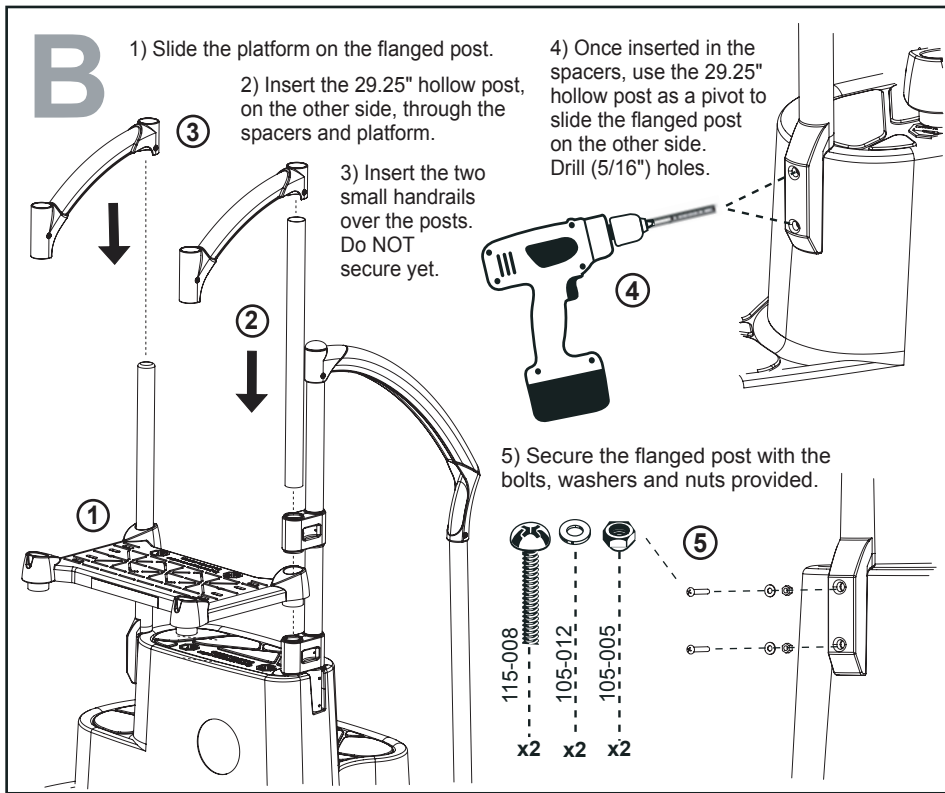
Tools Required

(not included)

A weather resistant padlock is recommended.

Maximum functional width is 1/4 inch.





CAUTION*

To prevent a pool liner puncture, install all Step Cup™ as specified and keep a minimum of 1" inch gap between the pool liner and the rear underside of the step.

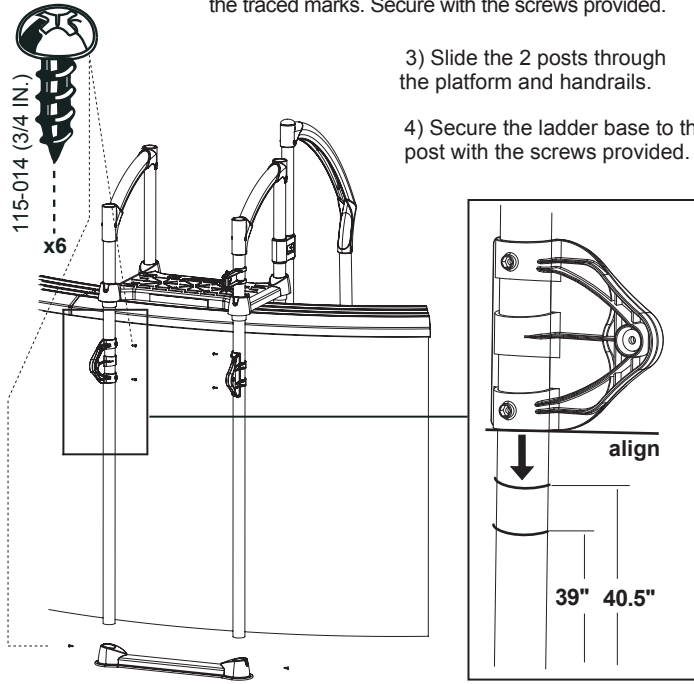
Failing to install the Step cup™ will greatly reduce the steadiness of the step and will void the manufacturer warranty.

F 1) Trace a line on each post at 39 inches from the ground for 48" & 52" pools. If you have a 54" pool, trace a line at 40.5" from the ground.

2) Slide the pivot blocks onto the posts and line up with the traced marks. Secure with the screws provided.

3) Slide the 2 posts through the platform and handrails.

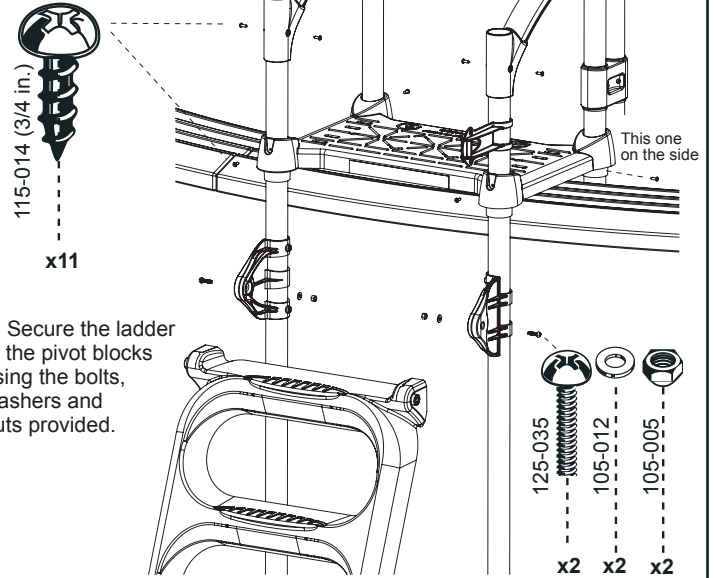
4) Secure the ladder base to the post with the screws provided.



G 1) Slide the platform downwards and let it sit on the top seat of the pool.

2) Secure the handrails and platform to the posts with the screws provided.

3) Secure the ladder to the pivot blocks using the bolts, washers and nuts provided.

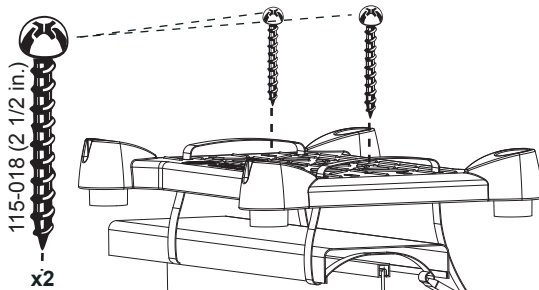


H Security strap x2

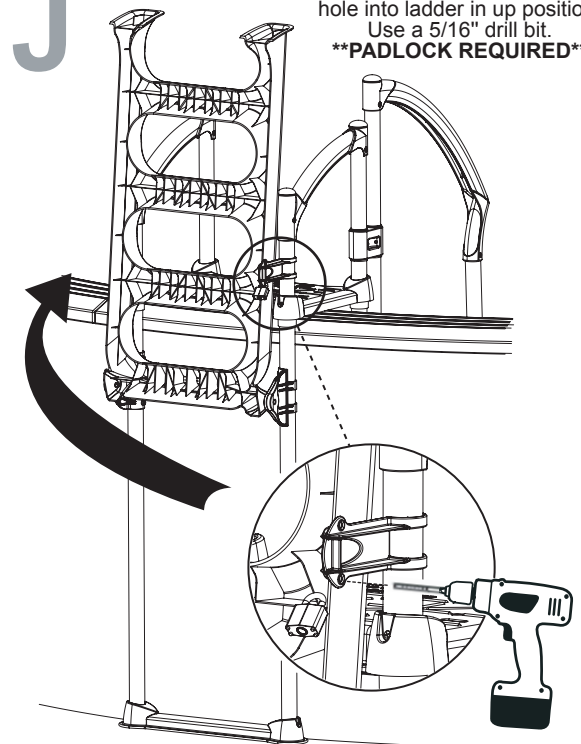
1) Once the step is in the pool secure the platform to the top seat (see illustration) using the two straps provided.

OPTIONAL:

Once the pool step has been completely assembled and secured to the pool, attach the 2 screws supplied through the platform to the top seat of your pool to provide a more rigid assembly.



J Use sliding lock as a guide to drill hole into ladder in up position. Use a 5/16" drill bit. ****PADLOCK REQUIRED****

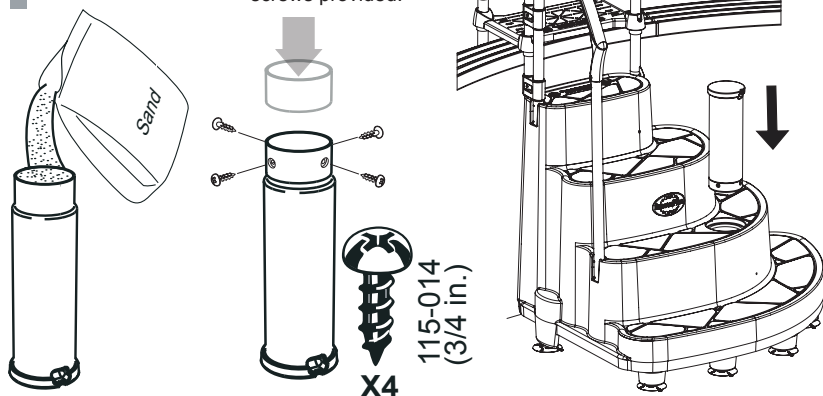


WARNING

SWING THE LADDER UP AND LOCK IN PLACE WHEN THE POOL IS NOT IN USE TO PREVENT DROWNING AND UNAUTHORIZED ENTRY.

1) Fill the counterweight to the brim with sand.

2) Secure the counterweight cover with the screws provided.

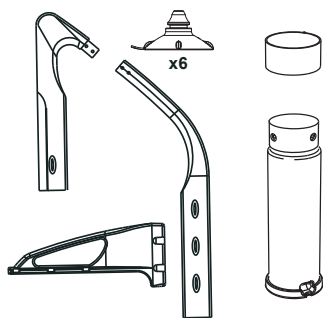
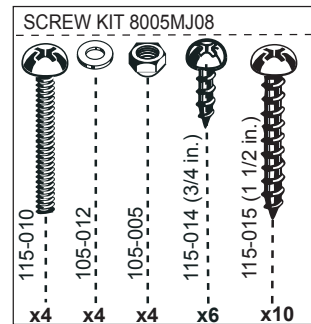


MANUFACTURER WARRANTY

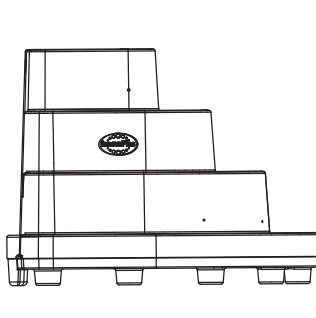
1 year on the ladder and step.
1 year on the hardware.

MAJESTIC 8005

Contents of box # sku 8005



Majestic step



Sand

(not included)

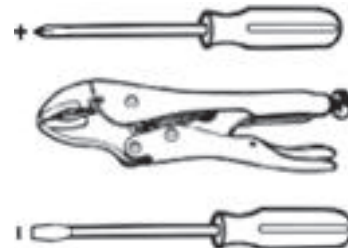


⚠ WARNING

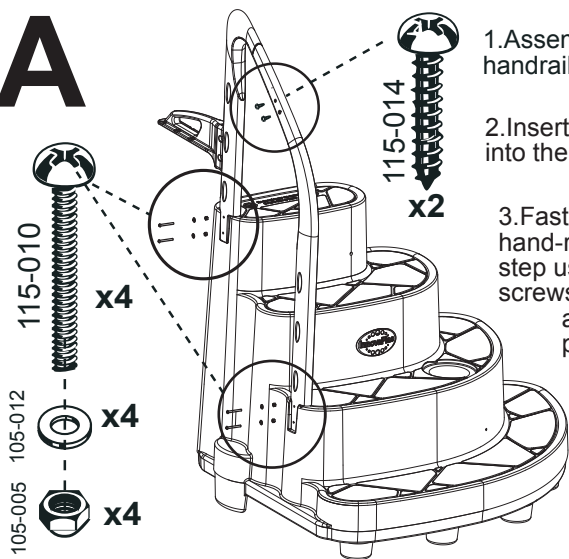
- ▶ Do not dive or jump from step or ladder.
- ▶ Use BATTERY operated tools to avoid electric shocks.
- ▶ Install the pool step on a flat surface
- ▶ Remove step from pool during freezing climate season.
- ▶ Manufacturer cannot be held responsible for injuries caused by abusive use of product.
- ▶ Ask your city about specific regulations that apply to your above ground pool and ladder.

Tools required

(not included)



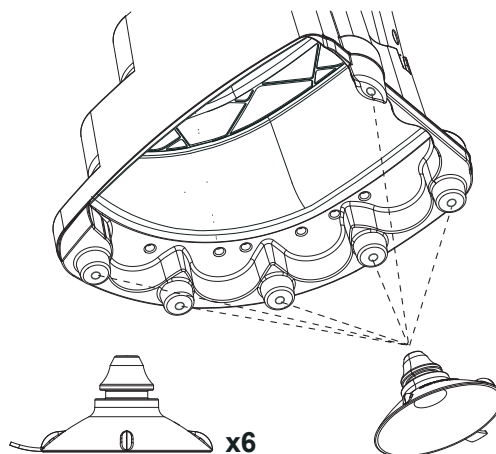
A



1. Assemble the two handrail halves.
2. Insert the handrail into the recesses.
3. Fasten the hand-rail to the step using the screws, washers and nuts provided.

B

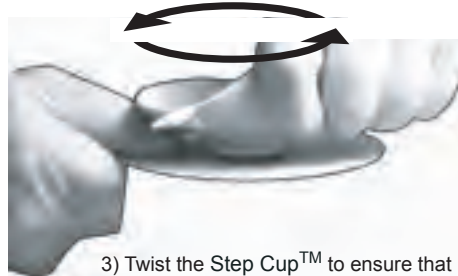
Insert the Step Cup™ in the 6 holes under the step.



1) Insert half of the Step Cup™ mushroom in the hole, at a 45 degree angle.



2) With a flat screwdriver, compress the Step Cup™ mushroom ring while pushing it into the hole.



3) Twist the Step Cup™ to ensure that its mushroom has entirely cleared the wall thickness. If it has, the suction cup should rotate freely.

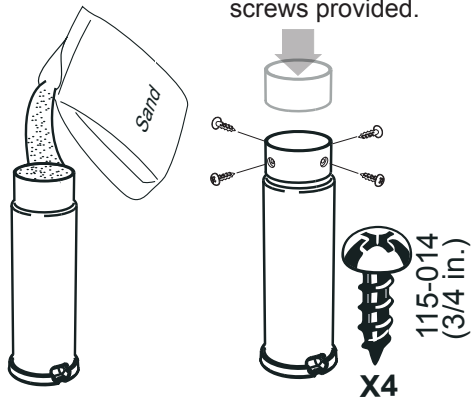
CAUTION

Failing to install the Step Cup™ will greatly reduce the steadiness of the step and will void the manufacturer warranty.

C

1) Fill the counterweight to the brim with sand.

2) Secure the counterweight cover with the screws provided.

**D**

1) Slowly submerge the step into the pool. Make sure you do not damage the pool liner in the process.

*MINIMUM OF 1"

*All Step Cup™ must be installed

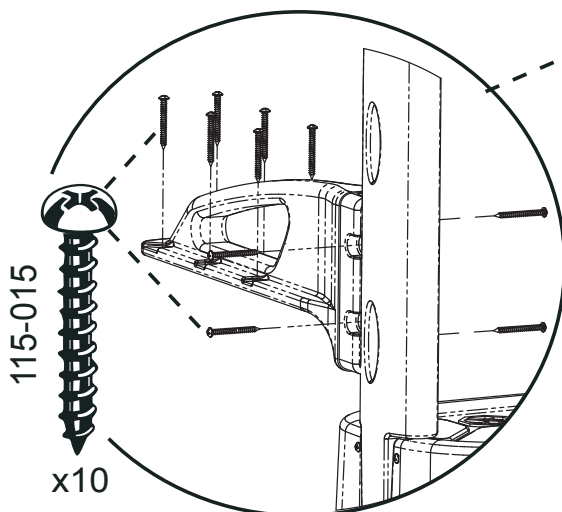
CAUTION*

To prevent a pool liner puncture, install all Step Cup™ as specified and keep a minimum of 1" inch gap between the pool liner and the rear underside of the step.

E

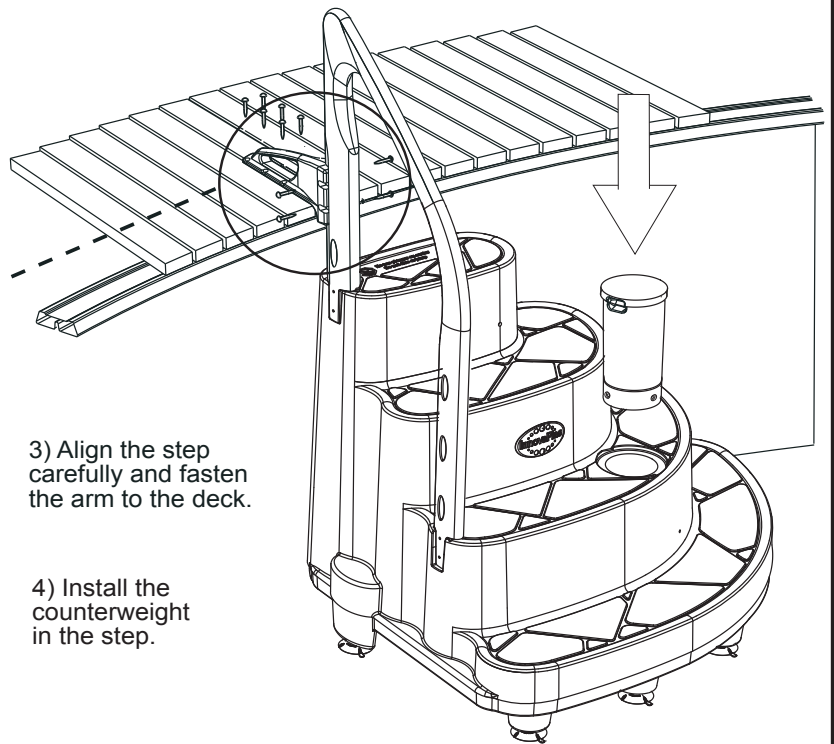
1) Apply firm pressure to step by walking along the steps to engage the Step Cup™.

2) Affix the small arm to the handrail vertical post using the 4 screws.



3) Align the step carefully and fasten the arm to the deck.

4) Install the counterweight in the step.

**MANUFACTURER WARRANTY**

**1 year on the Majestic pool step.
1 year on the hardware.**

InnovaPlas
The pool Step Company

250 Industriel Blv,
St-Germain, (Québec),
Canada J0C1K0

