

DESA

INTERNATIONAL

INSTALLATION INSTRUCTIONS FOR PC-BDV37N (02267) CONVERSION KIT

NATURAL GAS TO PROPANE/LP GAS

For Use When Converting Models BDV37N Series

This conversion kit must be installed by a qualified service agency.

Read these instructions completely before installing this conversion kit.

Before proceeding, make sure the gas control valve is in the "OFF" position, all electrical power to the appliance is OFF, and the fireplace is cool to the touch.

CAUTION: The gas supply shall be shut off prior to disconnecting the electrical power before proceeding with the conversion.

Parts included with this kit:

Part No.	Description	Quantity
	Instruction Sheet	1
106040-02	Pilot Orifice	1
104504-02	Burner, Propane/LP	1
104506-02	Main Burner Orifice (1.32mm)	1
105838-02	Gas Valve Regulator	1
105801-09	Conversion Label, English	1
106038-09	Conversion Label, French	1
106080-01	Conversion Information Label	1

Tools Required

- 10mm Open End Wrench
- 12mm Open End Wrench
- 5/16" Socket or Nut Driver
- 18mm Open End Wrench or Adjustable Wrench
- 3/4" Open End Wrench or Adjustable Wrench
- 7/8" Open End Wrench or Channel Lock Pliers
- Torx T20 or Slotted Screwdriver
- 3/8" Socket or Nut Driver or Slotted Screwdriver
- #2 Phillips Screwdriver
- High Temperature Silicone Sealant (GE RTV 106/Loctite RTV 81585)
- Thread Sealant (Resistant to Propane/LP)

If any of these pieces are missing or damaged, contact the dealer where you purchased this kit or DESA International at 1-800-972-7879 for referral information.

REMOVING GLASS DOOR

1. Remove the upper louver panel by lifting upward and out (see Figure 1).
2. Using a 3/8" socket or slotted screwdriver remove the screws from the three tabs at the top of the glass door (see Figure 2, page 2). Hold glass door securely to keep it from falling forward.
3. Grasp door by both sides and ease it upward off the lower bracket (see Figure 2, page 2).

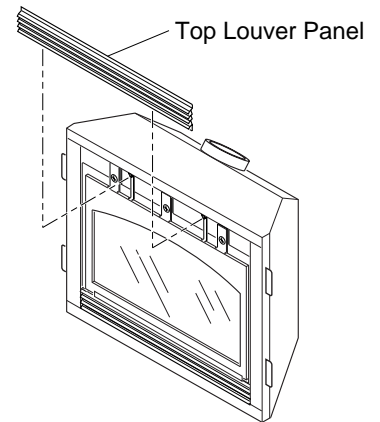


Figure 1 - Removing Top Louver Panel

PC-BDV37N (02267) Conversion Kit

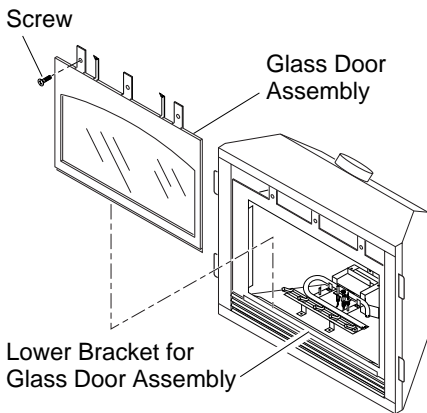


Figure 2 - Removing/Replacing Glass Door

LOG REMOVAL

Carefully remove the log set and ember material from around the burner and place them outside the fireplace.

BURNER, MAIN BURNER ORIFICE, AND PILOT ORIFICE CONVERSION

1. Open lower louver panel. This allows access below firebox to gas line connections and gas control valve.
2. Disconnect flare fitting connected to the brass elbow inside the bottom control compartment area. Use a 3/4" open end wrench on the flare fitting (see Figure 3).

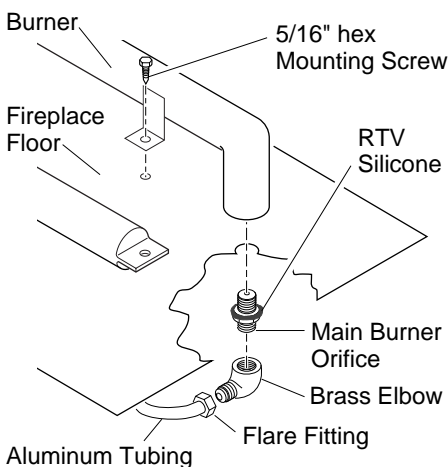


Figure 3 - Removing/Replacing Main Burner Orifice, Brass Elbow, and Aluminum Tubing

3. Turn brass elbow and main burner orifice counterclockwise to remove from burner. The orifice is threaded into the burner inlet. The elbow may have a slight resistance since the orifice has been sealed with RTV silicone. Use a 7/8" open end wrench or channel lock pliers for elbow and orifice removal.
4. Remove existing main burner orifice from brass elbow and replace with main burner orifice supplied with conversion kit. **Note:** The new main burner orifice will have the number 132 stamped on it for identification purposes. Apply a small amount of thread sealant to the orifice before tightening (see Figure 4). Sealant must be resistant to Propane/LP gas.
5. Remove the burner by loosening the two 5/16" hex mounting screws (see Figure 3). Lift burner up and out.
6. Convert the pilot burner by changing out the pilot orifice. Remove the compression nut and compression sleeve from the pilot. Remove the pilot orifice from inside the pilot barrel (see Figure 5). Replace with the pilot orifice supplied with this kit. **Note:** The new pilot orifice has the number 30 stamped on it for identification purposes.
7. Place open end of pilot orifice on top of compression sleeve and carefully slide up inside pilot burner. Tighten compression nut (see Figure 5).

IMPORTANT: Be careful not to bend or kink aluminum tubing during conversion. Make sure the compression sleeve and pilot orifice are properly mated and aligned before retightening the compression nut.

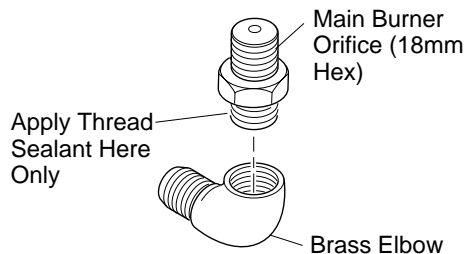


Figure 4 - Removing/Replacing Main Burner Orifice

8. Replace original burner with burner supplied with kit. Attach with the two 5/16" hex mounting screws removed in step 5.
9. Attach main burner orifice and brass elbow assembly to burner. Place main burner orifice into threaded end of burner and turn clockwise to tighten (see Figure 3). Align the brass elbow with the flare fitting on the aluminum tubing.
10. Reconnect the aluminum tube flare fitting onto the brass elbow (see Figure 3).
11. Reapply RTV silicone to seal area where orifice passes through the bottom combustion chamber (see Figure 3).

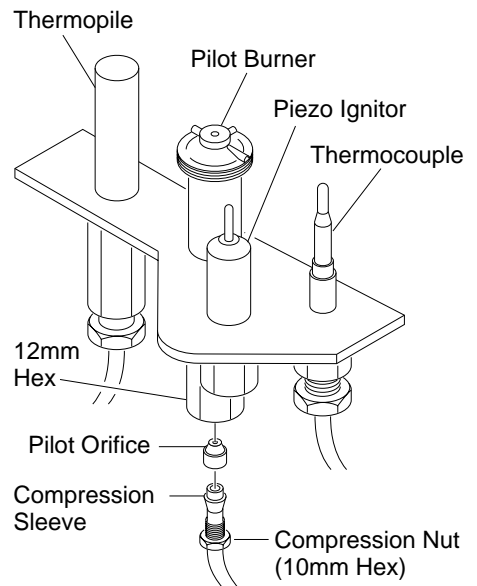


Figure 5 - Removing/Replacing Pilot Orifice

INSTALLATION INSTRUCTIONS

GAS CONTROL VALVE CONVERSION

Convert the gas control valve by swapping out the valve regulator portion of the gas valve.

- Using a TORX T20 or slotted screwdriver, remove and discard the three mounting screws, pressure regulator tower, and diaphragm/spring components (see Figure 6).
- Insure that the rubber gasket is properly positioned on the new pressure regulator assembly. Install the new pressure regulator assembly to the valve using the new mounting screws supplied with the kit. Tighten screws securely (approximately 25in.-lbs.) (see Figure 7).
- Install the identification label enclosed with the gas valve regulator to the valve body where it can easily be seen (see Figure 7).

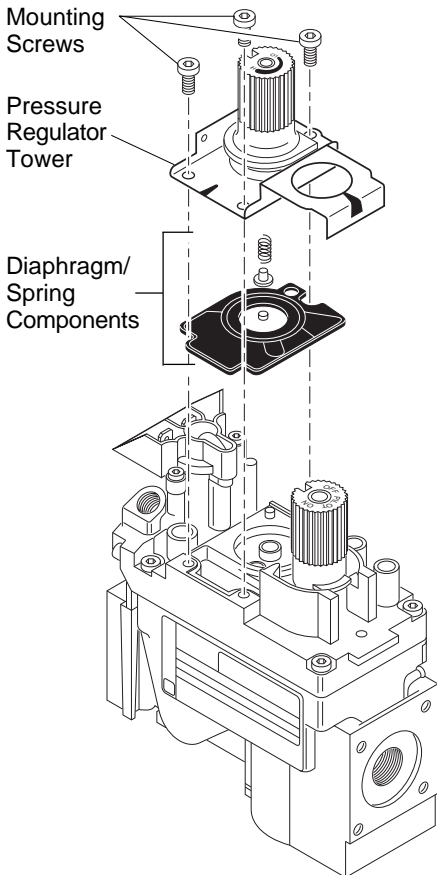


Figure 6 - Removing Mounting Screws, Pressure Regulator Tower, and Diaphragm/Spring Components

CONVERSION LABELING AND PLACEMENT

- Apply the English and French conversion labels over the top of the existing certification labels (see Figure 8). Existing certification labels are located on the lighting instruction plate inside the gas valve compartment area. With permanent ink, print the previous model number on the label in the space provided (see Figure 9).
- After filling in the data required on the conversion information label, affix it to the floor of the appliance where it is easily seen when the bottom louver panel is opened (see Figure 10).

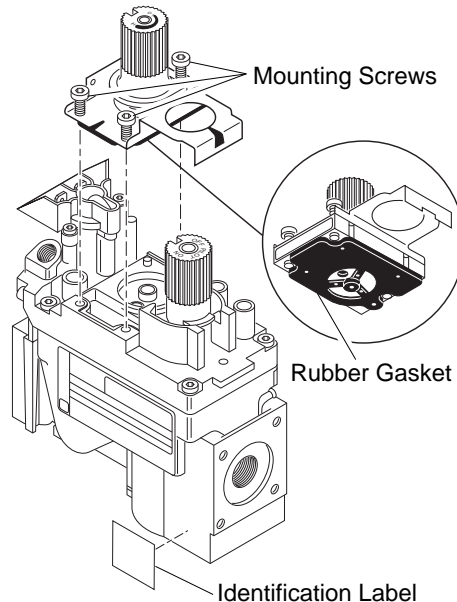


Figure 7 - Installing Pressure Regulator Assembly

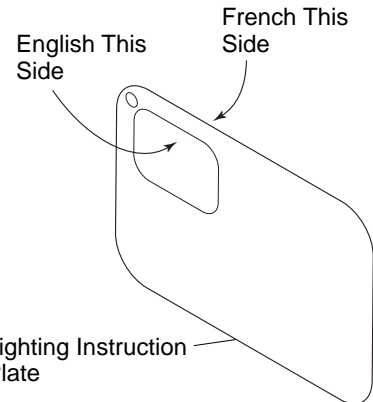


Figure 8 - Applying English and French Conversion Labels over Existing Certification Labels on Lighting Instruction Plate

DIRECT VENT DECORATIVE FIREPLACE

Conversion Kit Model _____
 Type of Gas _____

Previous Model # _____

Figure 9 - Print Previous Model Number on Conversion Labels

CONVERSION INFORMATION LABEL

This appliance was converted on _____
 Day Month Year to _____ gas
 with Kit No. _____
 by _____

(name and address of organization making this conversion), which accepts the responsibility that this conversion has been properly made.

56060 106080-01

Figure 10 - Conversion Information Label

FINAL PREPARATION

1. Replace logs and embers back into the correct positions as instructed in your appliance Owner's Manual.
2. Reinstall glass door and upper louver panel on fireplace. To do so, reverse the instructions under *Removing Glass Door* on page 1.

The conversion is now complete.

Refer to the section on *Checking Gas Connections* and *Operating Fireplace* in your appliance Owner's Manual.

⚠ WARNING: Test all gas piping and connections for leaks after installing or servicing. Correct leaks at once.

⚠ WARNING: Never use an open flame to check for a leak. Apply commercial leak test solution to all gas joints. Bubbles forming show a leak. Correct all leaks at once.

⚠ WARNING: This conversion kit shall be installed by a qualified service agency in accordance with the manufacturer's instructions and all applicable codes and requirements of the authority having jurisdiction. If the information in these instruction is not followed exactly, a fire, explosion, or production of carbon monoxide may result causing property damage, personal injury, or loss of life. The qualified service agency is responsible for the proper installation of this kit. The installation is not proper and complete until the operation of the converted appliance is checked as specified in the manufacturer's instructions supplied with the kit.

DESA
INTERNATIONAL

2701 Industrial Drive
Bowling Green, KY 42101
www.desatech.com



105822 01

NOT A UPC