



# **RADIANT HEATER SAFETY INSTRUCTION**

**(Keep in a safe place)**

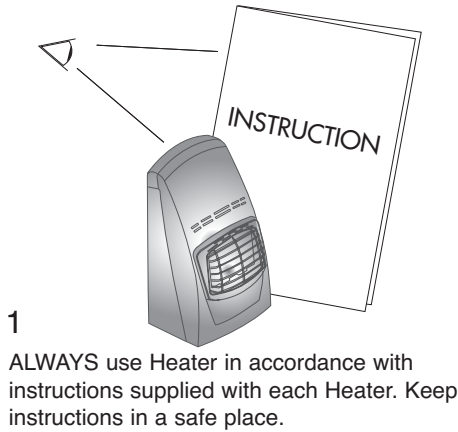
**SPARE COPIES OF THIS LEAFLET CAN BE  
OBTAINED FROM YOUR DEALER**

**CE**

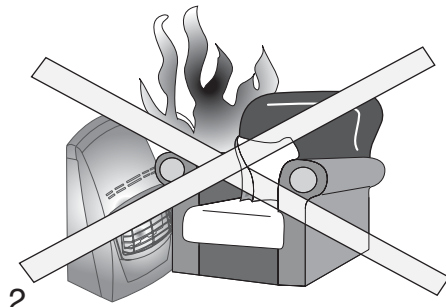
manufactured by DE'LONGHI Via L.Seitz, 47  
TREVISO 31100 ITALY

U.K. AGENT:  
De'Longhi LTD.  
15/16 Bridle Close - Stewarts Road  
Finedon Industrial Estate  
Wellingborough  
Tel. 01933442040

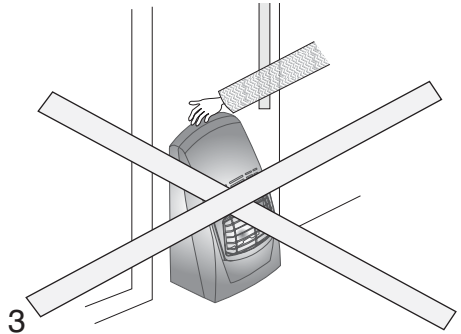
**HEATER SAFETY INSTRUCTIONS. (KEEP IN A SAFE PLACE).  
SPARE COPIES OF THIS LEALET CAN BE OBTAINED FROM YOUR DEALER**



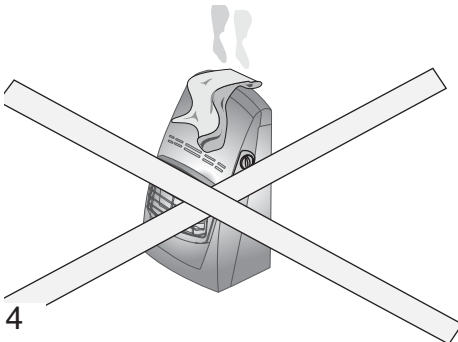
**1**  
ALWAYS use Heater in accordance with instructions supplied with each Heater. Keep instructions in a safe place.



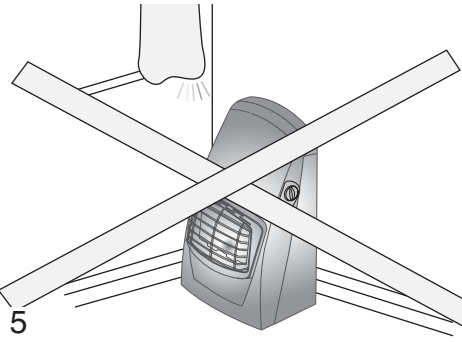
**2**  
DO NOT position Heater close to chairs and fabrics



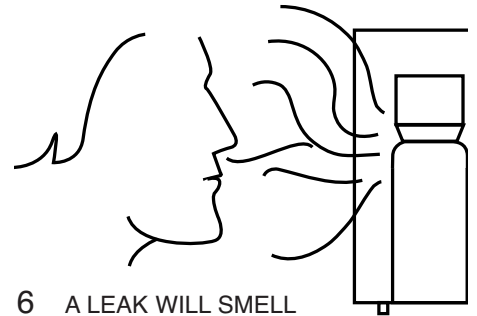
**3**  
DO NOT move Heater from room to room when it is lit.



**4**  
DO NOT place clothes or other materials on the Heater, as apart from the danger of fire their presence could affect the efficient working of the appliance.



**5**  
DO NOT position Heater alongside a wall or near curtains, etc. ALWAYS face Heater towards centre of room. Special care should be taken if the Heater is on a surface where it can move or twist on its wheels or castors if knocked by a child or dog, etc.



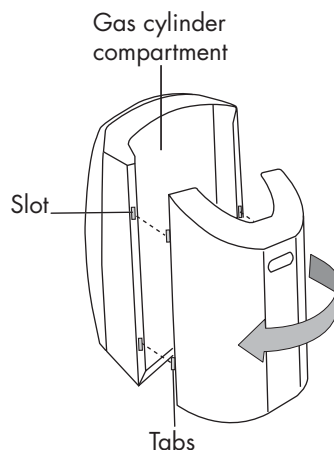
**6 A LEAK WILL SMELL**  
IF a leak is suspected, turn the gas off at the cylinder. DO NOT disconnect the regulator. Extinguish all naked lights. Check all connections. Slowly turn the gas on and brush the connectors with soapy water or liquid detergent - a gas leak will form bubbles. If a leak is found turn the gas off and inform your Dealer. DO NOT use the heater again until it has been inspected by your Dealer. If the cylinder valve appears to be leaking when turned off, refit the Black Branch Cap or Orange valve Cap.

- This appliance MUST NOT be used in a basement, high rise flats, bathrooms or bedrooms and in rooms having volume less than 15 m<sup>3</sup> (30m<sup>3</sup> in living rooms) for three burner models; 18m<sup>3</sup> (36m<sup>3</sup> in living rooms) for two burner models.
- Be sure installation is complying to local standard.
- Do not install the appliance in a room which might contain gas, oil or sulphur, or near sources of heat.
- The heater you have purchased is fitted with safety devices which come on in the event of malfunctioning while the appliance is in use. If the pilot (placed opposite the burner) accidentally goes out, or if the room is not sufficiently ventilated, the safety device will block the gas flow, causing the heater to go off.

**VENTILATION**  
USE ONLY IN WELL VENTILATED ROOM.  
DO NOT CHANGE CYLINDERS IN THE PRESENCE OF NAKED LIGHTS.  
NEVER USE A MATCH OR NAKED FLAME TO SEARCH FOR LEAKS.

**ASSEMBLY**

1) Place the gas cylinder in the gas cylinder compartment and connect the regulator to the cylinder as shown on page 3.



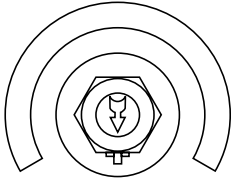
2) To fit the backcover, insert the two tabs located on the left-hand side of the backcover into the corresponding slots in the cabinet. Then insert the tab on the right hand side into its slot.  
**IMPORTANT:** to remove the backcover, lift the backcover and pull clear of the slots.

---

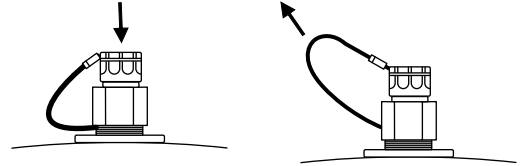
MODEL No. 634R SWITCH ON REGULATOR  
Suitable for Calor Switch-on (21 mm) Gas Bottle

---

### Connecting the cylinder



ROTATE the plastic cap on the CYLINDER VALVE until the arrow points out through the gap in the valve shroud.



PULL the lanyard out, then upwards. The cap will lift off the valve. Do not use tools. Leave the cap hanging down from the valve while the cylinder is in use.

### Assembly on the gas cylinder

Make sure that:

- all taps on the consuming appliance are closed;
- the connecting pipe to the appliance is correctly fitted;
- The Quick-on regulator handle is in the closed position (fig. 3).

With no flame on, remove the seal cap on the cylinder automatic valve, place the Quick-on onto the automatic valve and push down firmly and vertically. You will hear a "click" sound which means the regulator is securely latched (fig. 4).

**Note:** Quick-on is so designed as to prevent it from being fitted to the valve, unless the regulator handle is in the closed position; therefore, never attempt to mount or dismount it, if the handle is not in this position.

### Operation

Once the Quick-on is correctly mounted on the valve, gas supply is possible by turning the regulator handle upwards (counterclockwise).

To shut off the gas supply, reverse above procedure; an arrow engraved on the handle indicates the closing direction (fig.3).

Symbols engraved on the bonnet show how to operate the regulator handle.

**CAUTION:** if you are unable, to open the regulator handle, this means that your Quick-on is not correctly connected to the valve. Do not force the handle to open, instead start again the operations described above in 3.

### Replacement of a cylinder

Make sure that:

- all taps on the consuming appliance are in the closed position.
- the Quick-on regulator handle is in the closed position.

Then, dismount the Quick-on by pressing horizontally on the handle and pulling upwards at the same time (fig.5).

Do not attempt to carry out this operation with the regulator handle in the open position.

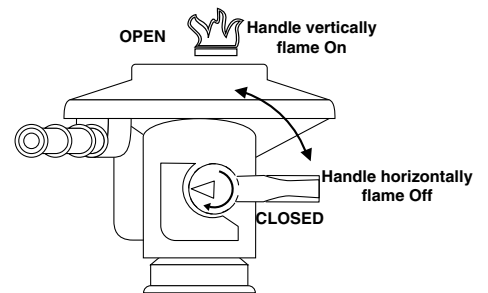


fig.3

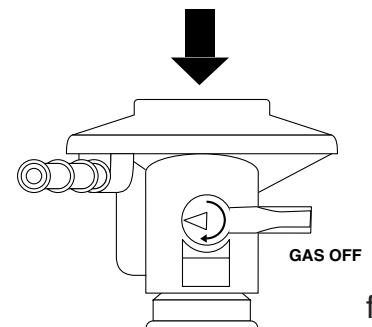


fig.4

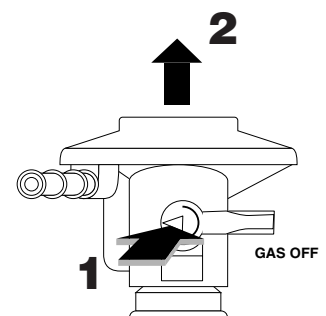


fig.5

# GENERAL SAFETY INSTRUCTIONS

Type	Category	Max.output		Med.output		Low output		Gas Pressure	Gas combustion air quantity
		Kw	g/h	Kw	g/h	Kw	g/h		
	See Rating label	4.2	305	2.85	207	1.50	109	28-30 mbar	8.4 m <sup>3</sup> /h
this appliance is designed to operate with butane, at nominal pressure: 28÷30 mbar									

## CYLINDER VALVE

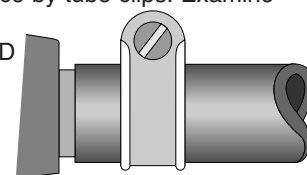
If heater does not completely extinguish, including pilot, when gas is turned off at the regulator, do not remove regulator. Return valve to open position and leave heater alight, which is perfectly safe, until attended to by the gas supplier.

### Regulators, Hoses and clips

Check that tubing is completely over the nozzles at each end of the tubing and that is held firmly in place by tube clips. Examine flexible tubing regularly and get your Dealer to fit new tubing 400 mm long if perished, worn or damaged. L.P.G. ATTACKS NATURAL RUBBER-USE ONLY TUBING TO B.S. 3212 TYPE 2 SUPPLIED BY YOUR DEALER.

Avoid bending or constricting the rubber tube when the pressure regulator is connected to the gas cylinder.

A REGULATOR B.S. 3016 SET AT 28 MBAR (11.2 IN W.G.) for butane must be connected to the appliance with the above tubing, using suitable tube clips.



## VENTILATION

### USE ONLY IN A WELL VENTILATED ROOM

Adequate ventilation must be provided in rooms in which the heater is used. This ensures removal of the products of combustion and allows the entry of replacement air.

Adequate ventilation should considerably reduce the possibility of condensation occurring.

The following table shows the smallest size of room suitable for each heat setting and the ventilation which must be provided.

Heating Setting	Room Size	Room Vent
MIN	15 m <sup>3</sup>	105 cm <sup>2</sup>
MAX	42 m <sup>3</sup>	
MED	28,5 m <sup>3</sup>	

## MAINTENANCE

Ensure that the heater is kept free of dust. When the heater is not in use it should be covered and stored in a dust-free place. Stains on the exterior should be removed with soapy solution when the heater is cold. Dry with a polishing cloth. DO NOT use abrasive cleaners which will damage the paint finishes.

Refer any major maintenance to your Local Authorised Dealer. Major servicing should be carried out annually. If in doubt refer to your authorised dealer.

## SAFETY GUARD

The guard on this appliance conforms to the requirements of B.S. 1945: 1971 and satisfies the heater appliance (fireguards) regulations. The guard is to prevent risk of fire or injury from burns and no part of it should be permanently removed. **It does not give full protection for young children or the infirm.**

### Positioning the heater:

- DO NOT place clothes or other materials on the heater.
- DO NOT position heater close to chairs or fabrics
- DO NOT MOVE the heater across the room when lit.
- DO NOT POSITION the heater alongside a wall or near curtains etc.
- ALWAYS face the heater towards the centre of the room.

## OPERATING INSTRUCTIONS


Before connecting a gas container and operating this appliance, please read the heater safety instructions and the operating instructions given below - spare copies may be obtained from your authorised dealer.

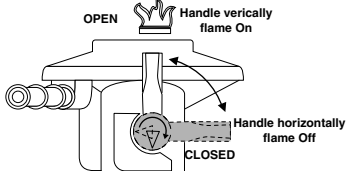
The gas is turned on and off at the cylinder.

The heat input and spark for ignition are controlled by the knob situated at the top right hand side of the heater.

### LIGHTING THE HEATER:

1) Turn on the gas cylinder by either:

Turn the regulator gas switch anti- clockwise to the vertical position  (Model No.634R)



2. FROM ● POSITION, fully depress the control knob, and turn to ◊ position (small flame). If pilot does not ignite return to starting position and repeat). Continue to fully depress the knob for a further 10 seconds to allow the thermocouple probe to heat up, then turn the knob to the required heat setting.

### CONTROL OF THE HEAT OUTPUT:

For low output - leave control knob in position ◊ (small flame)

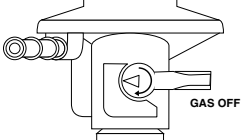
For full output - slightly depress knob and rotate to position ◉ (big flame)

For medium output - slightly depress knob and rotate to position ◈ (medium flame)(only on some models)

### TURNING-OFF THE HEATER

The heater will only be totally "OFF" when the supply of gas from the cylinder has been turned "OFF" at the regulator valve. After each use the appliance must be turned "OFF" at the regulator valve.

Turn the regulator gas switch clockwise to the — position (Model No. 634R)



**DO NOT ATTEMPT to relight until FIVE minutes have elapsed.**

### WARNING FOR SWITCH-ON SYSTEM:

When the heat is alight, NEVER turn the switch on the cylinder to the disconnect position. Wait until heat and pilot go out, then and only then, should the switch be turned to the disconnect position if the cylinder requires changing.

It is dangerous to switch to the disconnect position when the heater is alight.

