

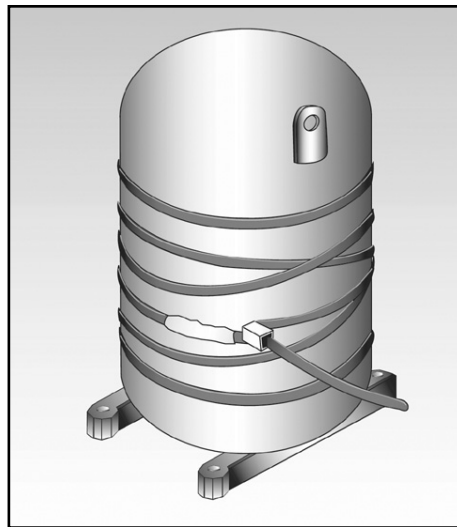
Chromalox®

Installation Instructions

SERVICE REFERENCE

DIVISION 4	SECTION RT
SALES REFERENCE	PJ490
	161-891364-004
DATE	JULY, 2004

SRCCH-1 and SRCCH-2 Self Regulating Crankcase Heaters



GENERAL

SRCCH-1 and SRCCH-2 Self-Regulating Crankcase Heaters are supplied with flexible lock-strap and pre-stripped 28" cold leads for easy connection and hardwiring. These heaters are only to be used on up to 40" diameter compressors located in non-hazardous areas.

⚠ WARNING

ELECTRIC SHOCK/FIRE HAZARD. Do not expose heater to temperatures above 150°F.

INSTALLATION

Before installing the SRCCH-1 or SRCCH-2 heater, a megger test should be performed to check integrity of electrical insulation jacket of the heating cable.

To use the SRCCH-1 and SRCCH-2 heaters, wrap cable around crankcase and tighten the flexible lock-strap. Make certain to have good contact between the heater and the surface of the crankcase. Connect leads to GFCI protected circuit.

⚠ WARNING

ELECTRIC SHOCK HAZARD. Disconnect all power before installing or servicing heating cable and accessories. A qualified person must perform installation and service of heating cable and accessories. Heating cable must be effectively grounded in accordance with the National Electrical Code. Failure to comply can result in personal injury or property damage.

Use SRCCH-1 for 120V operation and SRCCH-2 for 208-277V operation.

MEGGER TESTING:

Megger testing should be performed before first use and periodically thereafter. Unplug assembly. Using a 2500 Vdc megohmmeter (500 Vdc minimum), check the insulation resistance between the power leads (black and white clamped simultaneously) and the green ground lead. Reading should be at least 20 meg-ohms regardless of cable length.

If low reading occurs, cable and insulation should be inspected for signs of damage. DO NOT attempt to repair damaged heating cable. If physical damage is found, the entire unit should be replaced.

Limited Warranty:
Please refer to the Chromalox limited warranty applicable to this product at
<http://www.chromalox.com/customer-service/policies/termsofsale.aspx>.

Chromalox[®]
PRECISION HEAT AND CONTROL

1347 HEIL QUAKER BLVD., LAVERGNE, TN 37086
Phone: (615) 793-3900 www.chromalox.com