



5436 W Crenshaw Street
Tampa, FL 33634
www.digital-watchdog.com
Technical Support : 1-866-446-3595 / 813-888-9555

INSTRUCTION MANUAL

D1362D Series

About manual

Before installing and using the camera, please read this manual carefully.

Be sure to keep it handy for future reference.

PRECAUTIONS

- Do not open or modify
Do not open the case except during maintenance and installation, as it may be dangerous and cause damages.
- Do not put objects inside the unit
Make sure that no metal objects or flammable substances get inside the camera. It could cause fire, short-circuits or damages.
- Be careful when handling the unit
To prevent damage, do not drop the camera or subject it to strong shock or vibration.
- Install away from electric or magnetic fields
- Protect from humidity and dust
- Protect from high temperature
Be careful when installing close to the ceiling , in a kitchen or boiler room, as the temperature may rise to high levels.
- Cleaning
Dirt can be removed from the case only by wiping it with a soft cloth moistened with a soft detergent solution.
- Mounting Surface
The mounting surface material must be strong enough to support the camera.

TROUBLESHOOTING

Before sending the camera out for repair, check the items below.
If the problem persists after checking these items, contact your service center.

■ **If no image appears**

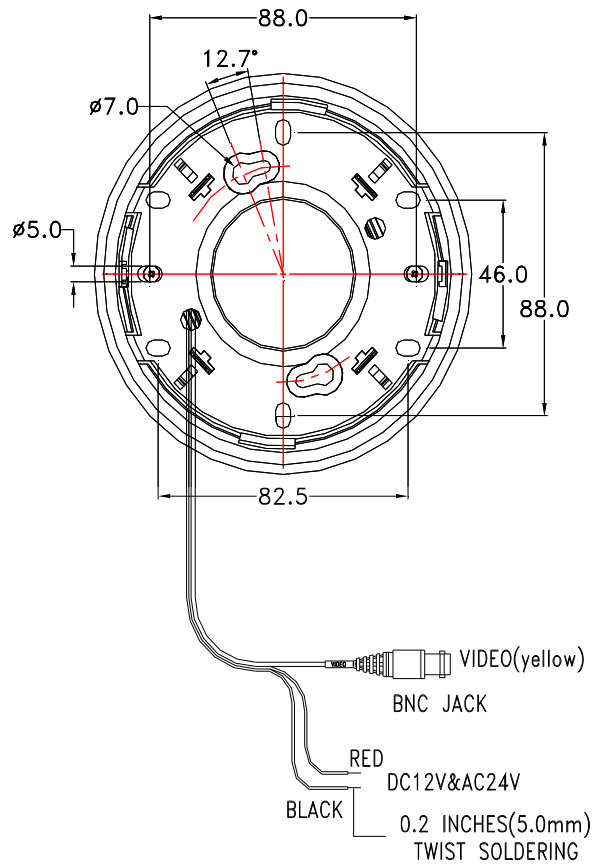
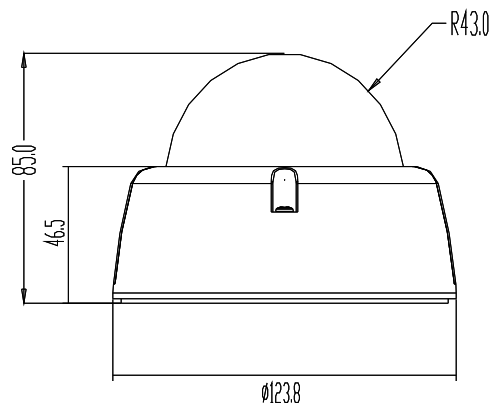
- Is the coaxial cable attached securely?
- Are the power and voltage normal?
- Has the iris of the lens inside the camera been adjusted correctly (with the level volume) ?
- Is there adequate illumination?

■ **If the image is unclear**

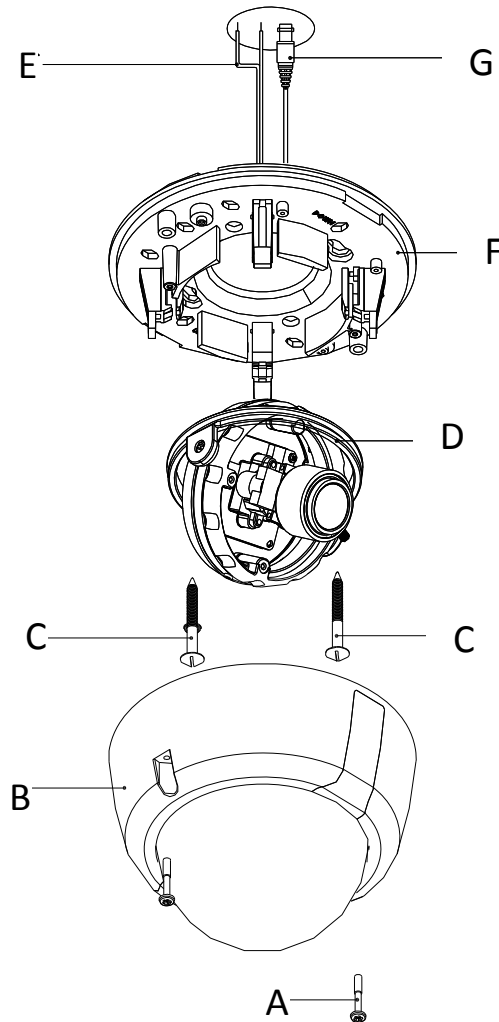
- Is the lens in focus?
- Is the lens dirty?
Dirt or fingerprints on the lens can adversely affect the images. Gently wipe any dirt or fingerprints off the lens with a soft cloth or lens cleaning paper and cleaning fluid (commercially available).
- Is the monitor adjusted correctly?

WARNING:
TO PREVENT THE RISK OF FIRE OR ELECTRIC SHOCK, DO NOT EXPOSE THIS APPLIANCE TO RAIN OR MOISTURE.

DIMENSION (mm)

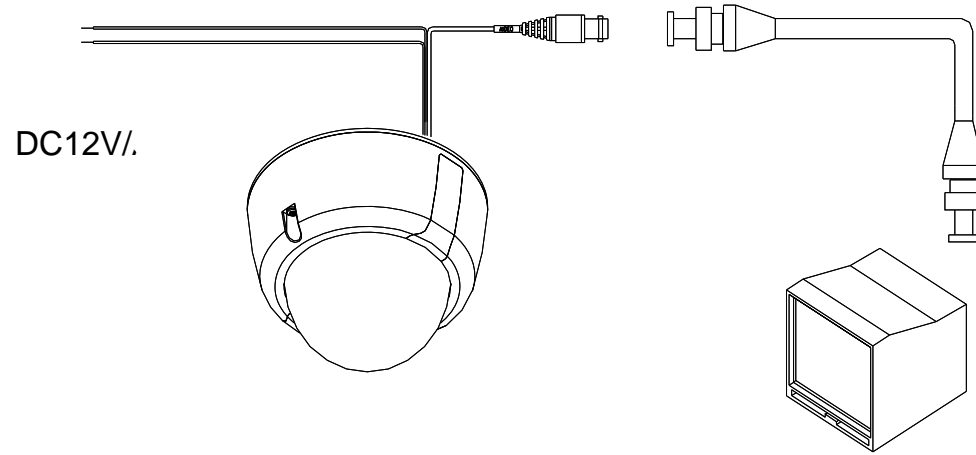


INSTALLATION



- A. Loosen the fixing screw using the L-wrench.
- B. Separate the upper case and the base case.
- C. Loosen the inner screws using a screwdriver.
- D. Detach the gimbal from the base case.
- E. Cut a hole in the ceiling for routing the cables.
- F. Place the camera horizontally on the ceiling, drill the screw holes at the marked two positions.
- G. Pass the power cable and video cable from the camera unit through the cable hole in the ceiling.
- H. Align the screw holes of the camera unit with the holes in the ceiling, secure with the two screws.
- I. Fix gimbal to the base.
- J. Install and adjust the camera unit.
- K. Adjust the dome to show the lens through the camera window, attach to the base.
- L. Put the upper case and the base together.
- M. Tighten the screw for the upper/base cases not to be separated .

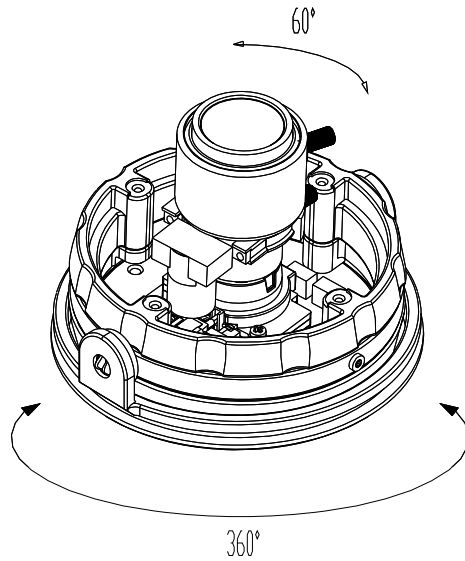
CONNECTION



CAUTION :

Check for polarity when using a 12V DC power supply.

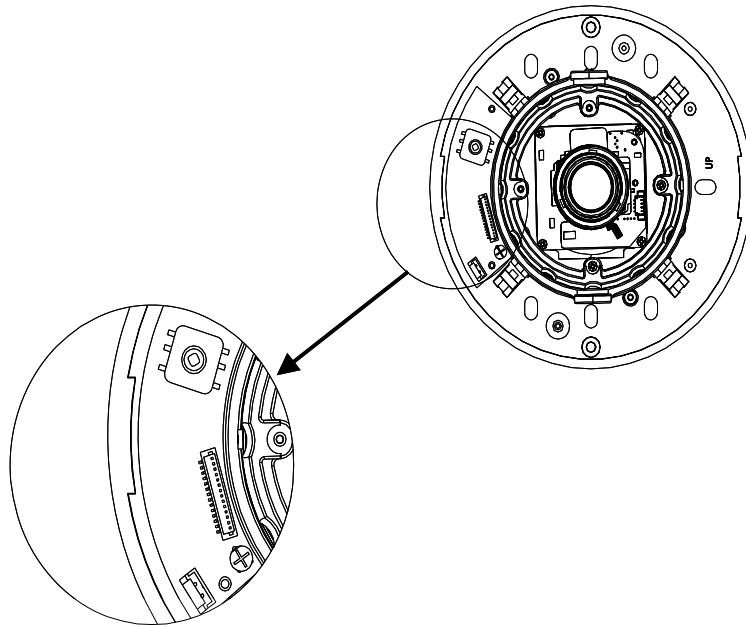
LENS ADJUSTMENT & GIMBAL ADJUSTMENT



1. Adjust the panning(360°) and tilt(60°) position.
2. Setting the zoom position by using Zoom Lever Screw.
3. Setting the focus by using Focus Lever Screw.

CAMERA SETTINGS

D1362D Camera



(1) Adjusting level volume (VR)

If the entire image is too dark or bright, or the backlight compensation is not correct even after LENS is set to "DC", you need to adjust the level volume.

CCW (Low)	Closes the lens iris, making the entire image darker
CW(High)	Opens the lens iris, making the entire image drighter

(2) SECOND VIDEO OUT CONNECTOR (2ND VIDEO)

If installer do setting with protable monitor, this connector should be connected.

OSD SWITCH FUNCTIONS

SETUP	FUNCTION	SUMMARY
LENS	MANUAL,DC	- DC : bright level
SHUTTER	FIXED,MANUAL,FLK	- MANUAL : Manual shutter adjust.
BLC	ON,OFF	- BLC AREA - BLC RATIO
AGC	ON,OFF	- AGC GAIN: Min~ Max
WHITE BAL	ATW,AWB,FIXED,MANUAL	- MANUAL : RED,BLUE - FIXED : MODE 1,2,3,4
ADJUST	CONTRAST,SHARPNESS CB_GAIN,CR_GAIN	- CONTRAST adjust. - SHARPNESS adjust. - CB_GAIN adjust. - CR_GAIN adjust.
FUNCTION 		
CAMERA ID	ON,OFF	- CAMERA ID - POSITION
MIRROR	ON,OFF	- Mirror image on/off
DAY NIGHT	AUTO,B/W,COLOR	- AUTO: DELAY START LEVEL END LEVEL
MOTION	ON,OFF	- AREA - MOTION TH - MOTION TRACE ON/OFF
PRIVACY	ON,OFF	- AREA SEL - AREA STATE
GAMMA	USER, 0.05~1.0	- GAMMA set.
LANGUAGE	ENGLISH,Korean,Chinese1,Chinese 2,日本語	- Language set.
RESET	YES,NO	- Returns to the level
EXIT		- Save out

WARRANTY INFORMATION

Digital Watchdog (referred to as “the Warrantor”) warrants the Camera Series against defects in materials or workmanship as follows:

LABOR: For the initial five (5) years from the date of original purchase, if the camera is determined to be defective, the Warrantor will repair or replace the unit, with new or refurbished product at its option, at no charge.

PARTS: In addition, the Warrantor will supply replacement parts for the initial five (5) years.

To obtain warranty or out of warranty service, please contact a Technical Support Representative at **1-866-446-3595** Monday through Friday from 9:00 AM to 5:00 PM Eastern.

A purchase receipt or other proof of the date of the original purchase is required before warranty service is rendered. This warranty only covers failures due to defects in materials and workmanship which arise during normal use. This warranty does not cover damage which occurs in shipment or failures which are caused by products not supplied by the Warrantor or failures which result from accident, misuse, abuse, neglect, mishandling, misapplication, alteration, modification, faulty installation, set-up adjustments, improper antenna, inadequate signal pickup, maladjustment of consumer controls, improper operation, power line surge, improper voltage supply, lightning damage, rental use of the product or service by anyone other than an authorized repair facility or damage that is attributable to acts of God.

LIMITS AND EXCLUSIONS

There are no express warranties except as listed above. The Warrantor will not be liable for incidental or consequential damages (including, without limitation, damage to recording media) resulting from the use of these products, or arising out of any breach of the warranty. All express and implied warranties, including the warranties of merchantability and fitness for particular purpose, are limited to the applicable warranty period set forth above.

Some states do not allow the exclusion or limitation of incidental or consequential damages, or limitations on how long an implied warranty lasts, so the above exclusions or limitations may not apply to you. This warranty gives you specific legal rights and you may also have other rights that vary from state to state.

If the problem is not handled to your satisfaction, then write to the Address above.

Service calls which do not involve defective materials or workmanship as determined by the Warrantor, in its sole discretion, are not covered. Costs of

Model	D1362D	
Camera TYPE	Color/BW	Plastic, Day/Night Digital Dome Camera
	Mount	Surface
Image	Device	1/3" Super HAD CCD
	Pixels-Total	811(H) x 508(V)
	Pixels-Effective	768(H) x 494(V)
Scanning	System	525 line, 2:1Interlace
	Horizontal Frequency Internal Mode	15,734Hz
	Vertical Frequency Internal Mode	59.94Hz
Min. Scene Illumination	F1.2	0.1 Lux
OSD Functions	Day & Night	AUTO / COLOR / BW
	BLC	ON / OFF (Area / Sensitivity)
	AGC	ON / OFF (Gain Adjust)
	AWB	ATW / AWC / Manual
	Mirror	ON / OFF
	Motion Detection	ON / OFF (Area / Sensitivity)
	Privacy Zone	4 Programmable Zone / Size
Lens	Focal Length	3.3 ~ 12mm
Resolution	Horizontal	540 TVLines
Video Output	VBS 1.0Vp-p	VBS 1.0Vp-p(75 Load)
S/N Ratio	S/N Ratio	48dB
Environmental Conditions	Operating Temperature	-10℃ ~ +55℃(14°F ~ 131°F)
	Humidity	Less than 90%
Power	Power Requirement	12VDC
	Power Consumption	12VDC: 100mA
Physical Specification	Dimensions(W x H)	123.8 x 85mm
	Weight	0.7 lbs
Certifications	CE, FCC, RoHS	Certified