

Variable Leak Valve

Model
951-5106

User Manual

87-400-085-01 (D)
05/2011



Agilent Technologies

Notices

© Agilent Technologies, Inc. 2011

No part of this manual may be reproduced in any form or by any means (including electronic storage and retrieval or translation into a foreign language) without prior agreement and written consent from Agilent Technologies, Inc. as governed by United States and international copyright laws.

Manual Part Number

Publication Number: 87-400-085-01 (D)

Edition

Edition 05/2011

Printed in ITALY

Agilent Technologies Italia S.p.A.

Vacuum Products Division

Via F.lli Varian, 54

10040 Leini (TO)

ITALY

Warranty

The material contained in this document is provided “as is,” and is subject to being changed, without notice, in future editions. Further, to the maximum extent permitted by applicable law, Agilent disclaims all warranties, either express or implied, with regard to this manual and any information contained herein, including but not limited to the implied warranties of merchantability and fitness for a particular purpose. Agilent shall not be liable for errors or for incidental or consequential damages in connection with the furnishing, use, or performance of this document or of any information contained herein. Should Agilent and the user have a separate written agreement with warranty terms covering the material in this document that conflict with these terms, the warranty terms in the separate agreement shall control.

Technology Licenses

The hardware and/or software described in this document are furnished under a license and may be used or copied only in accordance with the terms of such license.

Restricted Rights Legend

If software is for use in the performance of a U.S. Government prime contract or subcontract, Software is delivered and licensed as “Commercial computer software” as defined in DFAR 252.227-7014 (June 1995), or as a “commercial item” as defined in FAR 2.101(a) or as “Restricted computer software” as defined in FAR 52.227-19 (June 1987) or any equivalent agency regulation or

contract clause. Use, duplication or disclosure of Software is subject to Agilent Technologies’ standard commercial license terms, and non-DOD Departments and Agencies of the U.S. Government will receive no greater than Restricted Rights as defined in FAR 52.227-19(c)(1-2) (June 1987). U.S. Government users will receive no greater than Limited Rights as defined in FAR 52.227-14 (June 1987) or DFAR 252.227-7015 (b)(2) (November 1995), as applicable in any technical data.

Trademarks

Windows and MS Windows are U.S. registered trademarks of Microsoft Corporation.

Safety Notices

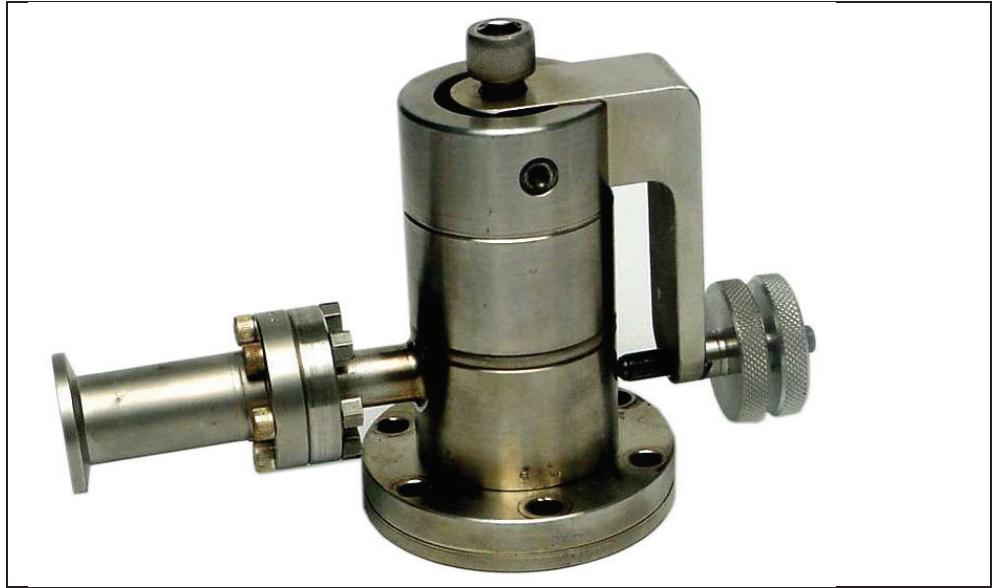
CAUTION

A **CAUTION** notice denotes a hazard. It calls attention to an operating procedure, practice, or the like that, if not correctly performed or adhered to, could result in damage to the product or loss of important data. Do not proceed beyond a **CAUTION** notice until the indicated conditions are fully understood and met.

WARNING

A **WARNING** notice denotes a hazard. It calls attention to an operating procedure, practice, or the like that, if not correctly performed or adhered to, could result in personal injury or death. Do not proceed beyond a **WARNING** notice until the indicated conditions are fully understood and met.

Variable Leak Valve



Variable Leak Valve

Contents

1	Instructions for Use	7
	Safety Information	9
	General	10
	Variable Leak Valve Outline	13
	Flange Connection	14
	Inlet Gas Connection	14
	Use	15
	To Establish a New Stop Position	16
	To Set Stop Position at any Leak Rate	17
	Operating at Low Leak Rates	17
	Changes in Leak Rate with Variation in Room Temperature	18
	Bakeout Procedure	18
	To Use as a Roughing Valve	19
	Adjustment of Handle Position	20
	If Valve Will not Close Leak-Tight	21
	Lubrication Instructions	24
	Loss of Sensitivity at High Leak Rates	26
	Replacement Parts	28
	Accessories	30

Contents



1 Instructions for Use

Safety Information	9
General	10
Variable Leak Valve Description	11
The Valve is Shipped in a Closed, Leak-Tight Condition.	11
Variable Leak Valve Specifications	12
Variable Leak Valve Outline	13
Flange Connection	14
Inlet Gas Connection	14
Use	15
To Establish a New Stop Position	16
To Set Stop Position at any Leak Rate	17
Operating at Low Leak Rates	17
Changes in Leak Rate with Variation in Room Temperature	18
Bakeout Procedure	18
Bakeout in Open Position	18
Bakeout in Closed Position	19
Operation After Bakeout	19
To Use as a Roughing Valve	19
Adjustment of Handle Position	20

Original Instructions



1 Instructions for Use

If Valve Will not Close Leak-Tight	21
Disassemble	21
Inspect and Clean Sapphire	22
Inspect and Clean Valve Body	22
Inspect and Clean Gasket Assembly	23
Re-Install Sapphire Assembly	23
Re-Install Gasket Assembly	24
Leak-Check and Adjust Closure	24
Lubrication Instructions	24
Loss of Sensitivity at High Leak Rates	26
Disposal	27
Replacement Parts	28
Accessories	30

Safety Information

This equipment is destined for use by professionals. The user should read this instruction manual and any other additional information supplied by Agilent before operating the equipment. Agilent will not be held responsible for any events occurring due to non-compliance, even partial, with these instructions, improper use by untrained persons, non-authorized interference with the equipment or any action contrary to that provided for by specific national standards.

This manual uses the following standard protocol:

CAUTION!

The caution messages are displayed before procedures which, if not followed, could cause damage to the equipment.

WARNING!



The warning messages are for attracting the attention of the operator to a particular procedure or practice which, if not followed correctly, could lead to serious injury.

NOTE

The notes contain important information taken from the text.

General

The variable leak valve can be added to any vacuum system to establish an adjustable leak. It offers unprecedented control sensitivity and stability with leak rates as small as 1×10^{-10} Torr-litres per second. Leak rate adjustment is controlled with knurled knobs. The entire valve, including the drive mechanism, is bakeable to 450°C in either the open or closed position. Both components of the seal mechanism (sapphire assembly and gasket assembly) are easily replaceable.

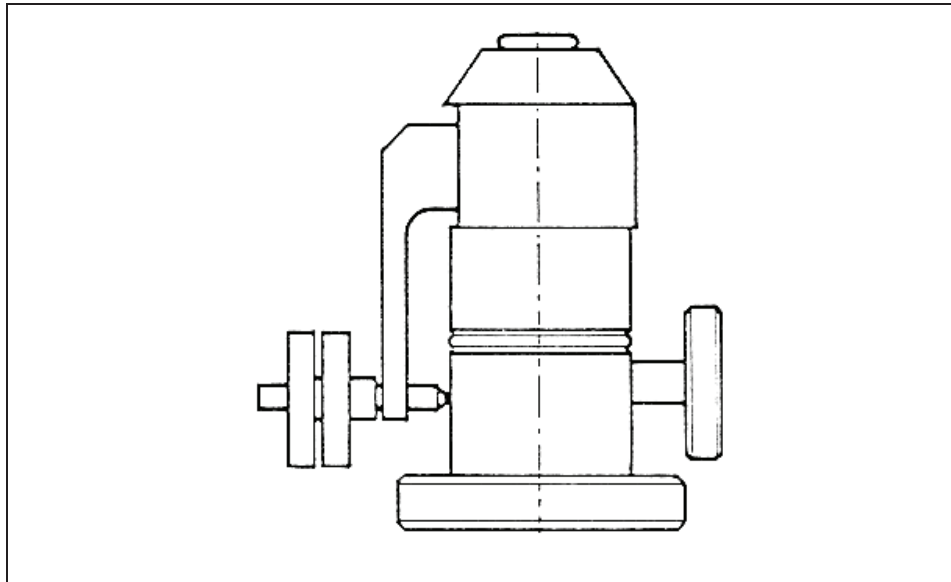


Figure 1 Variable leak valve

Variable Leak Valve Description

The variable leak valve includes a movable piston with an optically-flat sapphire that meets a captured metal gasket (see the following figure). This forms a seal completely free from friction, seizing, and shear. The sapphire's movement is controlled through a threaded shaft-and-lever mechanism having a mechanical advantage of 13,000 to 1. Spring washers keep this drive mechanism constantly loaded and eliminate the backlash usually associated with this type of device. This provides immediate response to small movements in the finger-controlled adjusting knobs. While some permanent compression takes place in the gasket each time a seal is made, the change is very slight. Return of the knob to a previous position will result in approximately the same leak rate.

The Valve is Shipped in a Closed, Leak-Tight Condition.

To open a leak, the knurled knobs must be turned (together) a minimum of two full turns counterclockwise. The valve is closed by turning the knobs (together) clockwise to the stop position against the handle.

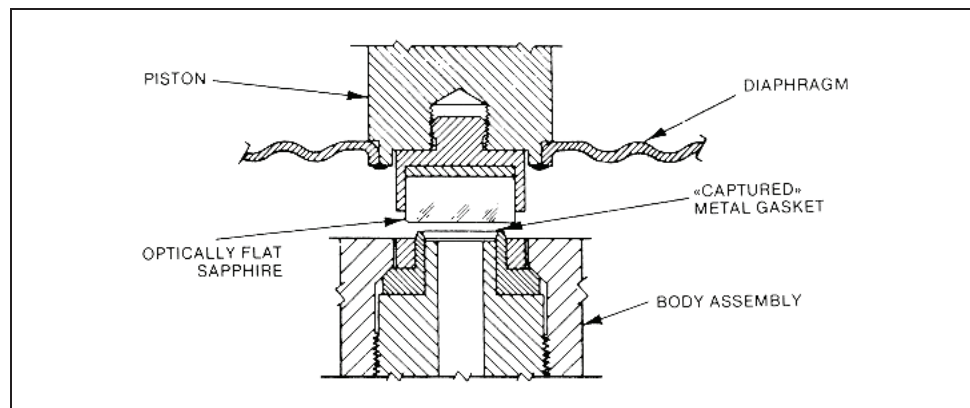


Figure 2 Sealing detail

Variable Leak Valve Specifications

Tab. 1

Minimum leak rate	1 x 10 ⁻⁹ Torr-litres/sec. in normal operation; 1 x 10 ⁻¹⁰ Torr-litres/sec. with condensable vapours eliminated from leak gas
Rate of change of leak	The valve provides an increasing rate of change as the size of the leak increases giving precise control in proportion to the size of the leak
Vacuum range	From atmospheric pressure to below 10 ⁻¹¹ Torr
Temperature range	Up to 450 C in either open or closed position
Inlet gas pressure	500 psi maximum
Gasket life	For unbaked systems, approximately 300 closures; For baked systems, 20 to 30 closures Gasket assemblies are replaceable
Material	300 series stainless steel; sapphire; OFHC copper and copper alloy
Weight	1.8 Kg (4 lbs)

Variable Leak Valve Outline

The outline dimensions for the variable leak valve are shown in the following figure.

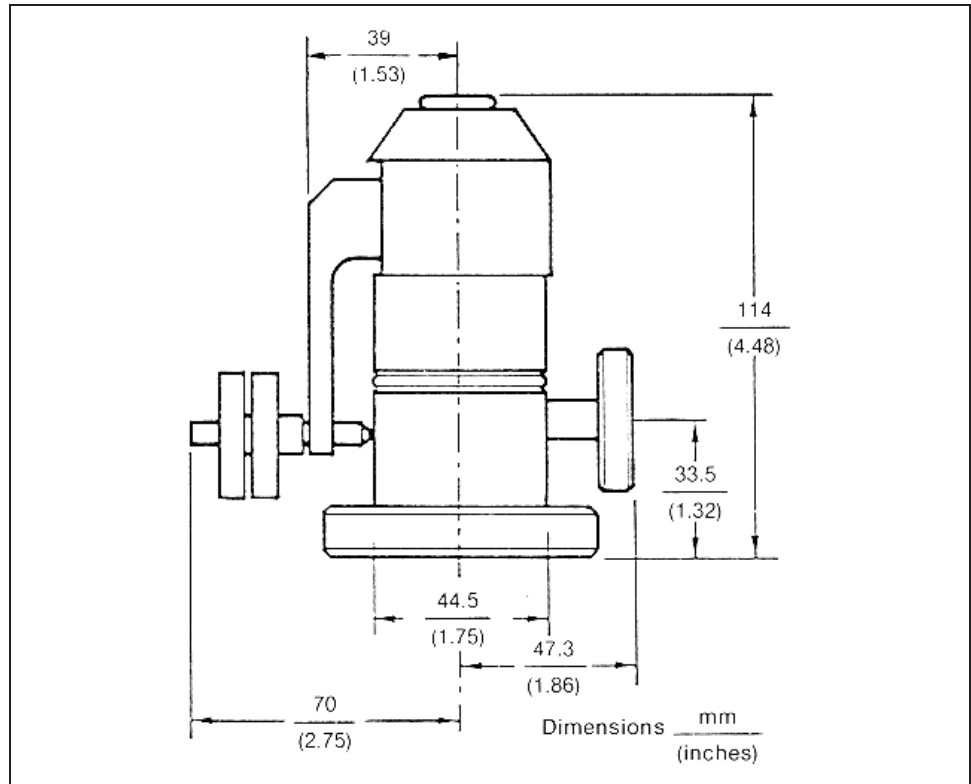


Figure 3 Variable leak valve outline

Flange Connection

The valve is shipped in a closed, leak-tight position, lubricated and ready for installation.

The ConFlat flange on which the variable leak valve is mounted mates with any 2 /4 inch O.D. ConFlat flange.

1. Place a new copper gasket (Agilent part no. 953-5014) between the two ConFlat flanges.
2. Lubricate and install bolts and nuts.
Use Fel-Pro C-100 high temperature lubricant on screw threads and under the nuts.
3. Tighten each nut 180° apart in sequence to 5 to 8 ft-lbs torque. This will partially close the gap between the flange faces. Repeat the sequential tightening two more cycles.
4. The copper gaskets are partially sheared in making the seal and the bolts should be tightened until the flange faces meet.
5. Leak-check the connection.

Inlet Gas Connection

The connection is made through standard Mini-Con- Flat flanges.

A Mini-ConFlat flange-to-flare-fitting adapter kit (Agilent part no. 951-5117) is provided as an option.

1. Place a new copper gasket (Agilent part no. 953-5014) between the two ConFlat flanges.
2. Lubricate and install bolts and nuts.
Use Fel-Pro C-100 high temperature lubricant on screw threads and under the nuts.
3. Tighten each nut 180 ° apart in sequence to 5 to 8 ft-lbs torque. This will partially close the gap between the flange faces. Repeat the sequential tightening two more cycles.
4. The copper gaskets are partially sheared in making the seal and the bolts should be tightened until the flange faces meet.
5. Leak-check the connection.

Use

WARNING!



The main danger of explosion in vacuum equipment occurs during backfilling from pressurized gas cylinders.

Explosions cause flying debris which may cause serious personal injury or death and destroy equipment.

The following precautions must be exercised when admitting gas into a vacuum system:

1. Check that the leak valve is in the closed position before admitting gas into the backfill line.
2. Always use a pressurized relief valve in the backfill line.

CAUTION!

Never operate the valve without knowing the relationship of the stop position to the point of leak tight closure. The point at which the valve closes cannot be felt by the operator and severe overdriving may fracture the sapphire.

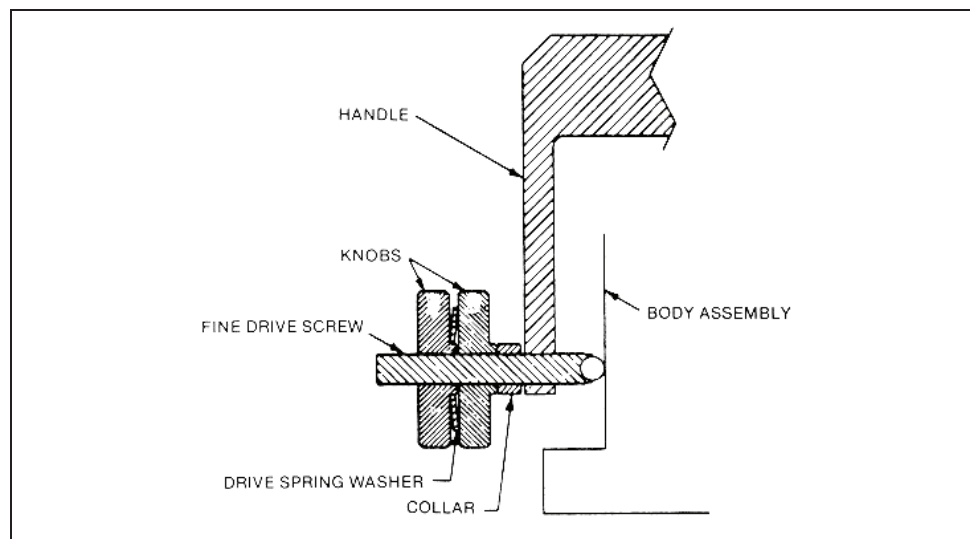


Figure 4 Knob adjustment

1

Instructions for Use

To Establish a New Stop Position

The valve is received in a closed, leak-tight position. The adjusting knurled knobs are tightened against the handle.

During normal operation, the knobs are locked together with respect to the fine-drive screw. To open a leak, turn both knobs together a minimum of two full turns counterclockwise. To close a leak, turn the knobs together until the collar bottoms against the handle (the stop position has been reached).

To Establish a New Stop Position

Each time a seal is made, the valve's captured metal gasket is compressed. High temperature bakeout accelerates the compression of the gasket. If no change is made to the position of the knobs on the fine-drive screw, the point of closure will gradually come closer to the point at which the knobs and collar butt against the handle. Eventually the stop will be engaged before a leak-tight closure is made. When this happens, a new stop position must be established.

1. The valve must be attached to a leak detector or the system must be equipped with gauging adequate to determine when no leak exists.
2. With the knobs tightened against the handle, unlock the knobs from each other by holding the inner knob and turning the outer knob counterclockwise about four turns.
3. Turn the inner knob counterclockwise until it is locked tight against the outer knob.
4. Turn the two locked knobs clockwise until the valve closes as indicated on the leak detector or system gauging.
5. Turn the knobs clockwise two additional turns past the point of closure.
6. Loosen the knobs from each other without allowing the screw to turn. Turn the inner knob clockwise until the collar is against the handle, then turn the outer knob clockwise until it locks against the inner knob. The knobs are now in position to return to and stop at a point two turns past closure.
7. After the stop has been adjusted several times, the handle must be reset as described in para. "Maintenance".

To Set Stop Position at any Leak Rate

The stop position can be adjusted to provide any desired leak rate.

1. Open the valve to the desired leak rate as determined by a leak detector, vacuum gauge, or other experimental means.
2. Loosen the knobs from each other without allowing the fine-drive screw to turn.
3. Turn the inner knob clockwise until the collar stops against the handle. Turn the outer knob clockwise until it locks against the inner knob.
4. The valve can now be opened to larger leak rates and when returned to the stop position will provide a leak of this pre-set rate.

NOTE

The valve cannot be closed leak-tight with the stop set in this manner. To close the valve, follow the procedure outlined in the preceding paragraph.

Operating at Low Leak Rates

When the valve operates with leak rates of 1×10^{-9}

Torr-litres/sec and smaller, condensable vapours and contaminants reduce the leak opening. The valve must be baked to 250° in the open position and under vacuum for 30 minutes to drive off these internally adsorbed vapours. See the paragraph "Bakeout procedure".

For operation at leak rates of 3×10^{-10} Torr-litres/sec and lower, in addition to the bakeout described above, the inlet gas must be free of condensable vapours. Use a dry gas or pass the inlet gas through a drying agent such as a liquid nitrogen cold trap. A molecular sieve trap can be used for drying the gas but a filter must be employed to assure that no particles of sieve enter the valve.

Changes in Leak Rate with Variation in Room Temperature

Changes in room temperature will cause changes in leak rate - as the temperature rises, the leak rate increases. A leak setting should be made in the range of interest and then mild heat applied to raise the temperature of the valve to the maximum expected value. If the resulting change in leak rate is not acceptable to the intended experiment, some means of temperature control should be used.

Bakeout Procedure

Bakeout in Open Position

- a** No special steps are required to bake the leak valve in the open position.
- b** A leak that has been set with the valve at room temperature will increase due to thermal expansion as the valve is heated during bakeout. Monitoring of system pressure and readjustment of the leak is necessary if a constant leak is desired during temperature cycling.

Bakeout in Closed Position

- a The valve must be overdriven three turns past closure (normal setting is two turns) to compensate for differential expansion of materials during bakeout.
- b To prepare the valve for bakeout, follow the procedure described in paragraph "To establish a new stop position" with the following exceptions: in steps 5 and 6, substitute "three turns" for the "two turns" specified.

Operation After Bakeout

- a Bakeout in the closed position to 250 °C and above will increase the size of leak for a given setting of the knobs. A full three turns may not be required to open a leak after bakeout. Length of bakeout and elapsed time at temperature will both affect the amount of change.
- b If the stops are to be readjusted, follow the procedure described in steps "a" and "b" above.

CAUTION!

After each bakeout cycle, before opening or closing the valve, tighten the outer knob against the inner one and lubricate the threads of the fine drive screw with Fel-Pro C-100. After every three bakeouts over 300°C, disassemble and lubricate the drive mechanism as described in the following paragraph. "Lubrication instructions".

To Use as a Roughing Valve

The variable leak valve can be used as a roughing valve when pumping small vacuum systems (some litres volume). The valve must be opened to its maximum conductance for this operation.

Connect a roughing pump to the inlet gas fitting. Where available, install a molecular sieve or liquid nitrogen trap in the line between the pump and valve to reduce contamination from mechanical pump oil vapours.

Adjustment of Handle Position

As described previously, continual reduction in gasket height necessitates resetting of the stop position and eventual readjustment of handle position. When the angle between the handle and body at point of closure has changed from its original parallel (approximate) position to an angle of $\pm 5^\circ$, the valve should be readjusted. This adjustment will maintain a proper relationship between handle travel and the size of the leak.

- 1.** Set handle.
Turn the locked knobs counterclockwise until the valve handle is approximately parallel to the side of the valve body.
- 2.** Close valve using roughing screw as follows.
 - a** Carefully remove the hole cover from the top of the valve.

CAUTION!

Do not exceed 8 ft.-lbs. or torque or the sapphire may be fractured.

- b** With a 5/16" Allen wrench, tighten the roughing screw to 6 ft.-lbs. of torque.
- c** Replace the hole cover.
- d** The valve should now be leak-tight, but this can be determined reliably only with a leak detector. If the valve leaks across the seal, refer to the following paragraph.
- e** Adjust knobs as follows.
- f** Turn the knobs together counterclockwise until a leak is generated.
- g** Turn the knobs clockwise until the valve is closed leak-tight.
- h** Turn the knobs two additional turns clockwise to provide the proper amount of overdrive.
- i** Loosen the knobs without allowing the fine-drive screw to turn then turn the inner knob clockwise until the collar is against the handle. Lock the outer knob against the inner one.
- j** Two counterclockwise turns of both knobs together should open a leak.

If Valve Will not Close Leak-Tight

If the valve is not leak-tight across the sapphire-gasket seal after the knobs have been turned to the stop position, one of several problems may be the cause.

1. The gasket has been compressed and the stops must be reset.
2. The valve, sapphire, and/or gasket are contaminated and need cleaning.
3. The gasket is scratched, nicked, or compressed beyond further use and must be replaced.
4. The sapphire is fractured and must be replaced.

The following procedures should be followed in the order listed.

- a Follow the steps outlined in para. "To establish a new stop position".
If the valve is still not leak tight, proceed to step "b" below.
- b Disassemble, clean, and inspect the sealing components. Particles, oxide on the gasket, or other contaminants may prevent the valve from closing leak-tight. Disconnect the valve from other components and disassemble. Inspect and clean the valve, sapphire, and gasket as described in the following steps.

Disassemble

Refer to the figure "Variable leak valve assembly drawing".

- a Turn both knobs counterclockwise four turns.
- b Carefully remove the pressed-in hole cover (11) and with a 5/16" Allen wrench loosen the roughing screw two turns.
- c Use a clean 1/4" Allen wrench to remove the gasket assembly (1). The thread is normal right hand and 20-25 ft.-lbs. of torque will be required to loosen it.
- d Clean the sapphire removal tool with acetone, insert it into the hole that held the gasket assembly, and engage the fingers of the tool with the slots on the periphery of the sapphire assembly.

1

Instructions for Use

If Valve Will not Close Leak-Tight

- e** Turn the valve and tool upside down and turn the tool counterclockwise to remove the sapphire assembly. Four full turns will disengage the threads.
- f** Maintain the upside down position of valve and tool, and lower the tool and sapphire assembly from the valve.

Inspect and Clean Sapphire

- a** Check the sapphire to be sure that it has no cracks or chips. Any fractures will require replacement of the sapphire assembly.
- b** Check the cleanliness of the polished face by viewing light reflected from its surface. Flush the face with acetone (CP grade recommended) and wipe off any film or grease. Be sure that no particles remain on the sapphire when ready for re-assembly.

Inspect and Clean Valve Body

- a** Check the valve body for any loose particles of other contaminants.
- b** Remove any contaminants by flushing acetone through the inlet gas fitting while holding the valve upright.
- c** Blow out the valve with a clean, dry gas through the inlet gas fitting.

CAUTION!

Do not use compressed air to blow out the valve. The possible high content of particles, water vapour, and oil will contaminate the valve. Re-cleaning and possible gasket replacement may then be required.

Inspect and Clean Gasket Assembly

- a Inspect the copper alloy gasket to be sure that it is clean, smooth, free of oxide, and protrudes above the surface of the gasket collar by at least 0.002 inch. A hand lens or microscope will facilitate inspection of the surface.
- b If the top surface of the gasket is scored, scratched, or nicked, the gasket assembly must be replaced.
- c If the copper portion of the assembly does not protrude at least 0.002 inch above the collar, the gasket assembly must be replaced.
- d Oily films or other residue should be removed using acetone.
- e Oxide or other slight surface imperfections can generally be removed by polishing with a very fine rouge paper. When polishing, rotate the gasket assembly about its centre axis to avoid leaving scratches that cross the sealing surface. Clean the gasket with acetone after polishing.
- f Keep the gasket free of contamination while awaiting reassembly.

Re-Install Sapphire Assembly

- a Hold the sapphire removal tool upright and attach the sapphire assembly to the tool engaging the four slots. Be certain that the tool is clean.
- b With the valve in the upside down position, carefully insert the tool and sapphire into the valve. Turn the tool clockwise to engage the threads. Only light finger pressure is required to tighten the assembly into the valve properly.

1 Instructions for Use

Lubrication Instructions

CAUTION!

Do not overtighten the sapphire assembly with the removal tool. Heavy tightening can cause the tool to raise a burr in the slots of the sapphire assembly. These burrs can prevent subsequent removal of the sapphire assembly from the valve.

Re-Install Gasket Assembly

- a To avoid contamination, hold the valve in the upright position. Install the gasket assembly and tighten finger-tight.
- b Tighten the gasket assembly to 22 to 24 ft.-lbs. of torque. Check that the Allen wrench is clean before use.

NOTE

Install the valve on the vacuum system as soon as possible after re-assembly to avoid particle contamination. If storage is necessary, place valve in a clean polyethylene bag and close the bag securely. Avoid setting the valve on dusty surfaces.

Leak-Check and Adjust Closure

Reset the handle position, roughing screw and knobs, and leak-check the valve as described in para. “Adjustment of handle position”.

Lubrication Instructions

Fel-Pro C-100 is recommended for lubrication. After each bakeout cycle, lubricate the threads of the fine-drive screw. After every three bakeouts at temperatures over 300°C, disassemble the drive mechanism and lubricate it. Use the SST brush to remove flaky or caked-on lubricant before re-lubrication.

Refer to the figure “Variable leak valve assembly drawing”.

1. Open the valve by turning both knobs four counterclockwise turns.
2. Withdraw the two Phillips head screws on the upper part of the valve body and remove the cover.
3. Remove the roughing screw (10). Lubricate its threads and the spherical socket.
4. Insert the two Phillips head screws that held the cover into the two pivot rods and, using the screws as handles, pull out the rods.
5. Lift out the handle. Its sides have been sprayed with a semipermanent coat of molybdenum-disulphide. The lubricant in most cases will not require replenishing. If the user judges that re-lubrication is necessary, a small amount of Fel-Pro C-100 should be applied to each side of the handle where it guides in the body.
6. Remove the rod assembly and lubricate both ends. Replace it.
7. Lubricate the pivot rod holes in the handle. Do not lubricate the pivot rod holes in the body.
8. Reassemble the handle and pivot rods.
9. Replace the roughing screw, valve cover, and two small screws.
10. Follow the procedure specified in para. "Adjustment of handle position" to close the valve and adjust the drive mechanism for proper operation.

Loss of Sensitivity at High Leak Rates

Repeated bakeouts at 450°C will result in partial annealing and a loss of tension in the spring washers that provide the force to open the valve. This will be evidenced by decreasing sensitivity of control at high leak rates. This is not a common situation, but may occur after months of use under high-temperature conditions. Replacement of the spring washers and adjustment are required.

- 1.** Disassemble drive mechanism.
 - a** Open the valve four counterclockwise turns of the knobs.
 - b** Withdraw the two Phillips head screws on the upper part of the valve body and remove the cover.
 - c** Remove the roughing screw.
 - d** Remove the two pivot rods by grasping each with a screw. Lift out the handle.
- 2.** Replace spring washers.
 - e** With a 3/4" hex-socket wrench, remove the nut above the spring washers.
 - f** Remove and replace the spring washers.
 - g** Replace the 3/4" hex nut.
- 3.** Adjust tension.
 - h** With a 1/4" hex-socket-wrench, tighten the nut above the spring washers just enough so that there is no clearance between the washers and the nut.
- 4.** Reassemble.
 - i** Replace the handle, pivot rods, roughing screw, and cover.
 - j** Repeat the closure adjustment to reposition the handle and knobs.

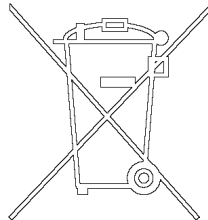
Disposal

Meaning of the "WEEE" logo found in labels

The following symbol is applied in accordance with the EC WEEE (Waste Electrical and Electronic Equipment) Directive.

This symbol (**valid only in countries of the European Community**) indicates that the product it applies to must NOT be disposed of together with ordinary domestic or industrial waste but must be sent to a differentiated waste collection system.

The end user is therefore invited to contact the supplier of the device, whether the Parent Company or a retailer, to initiate the collection and disposal process after checking the contractual terms and conditions of sale.



Replacement Parts

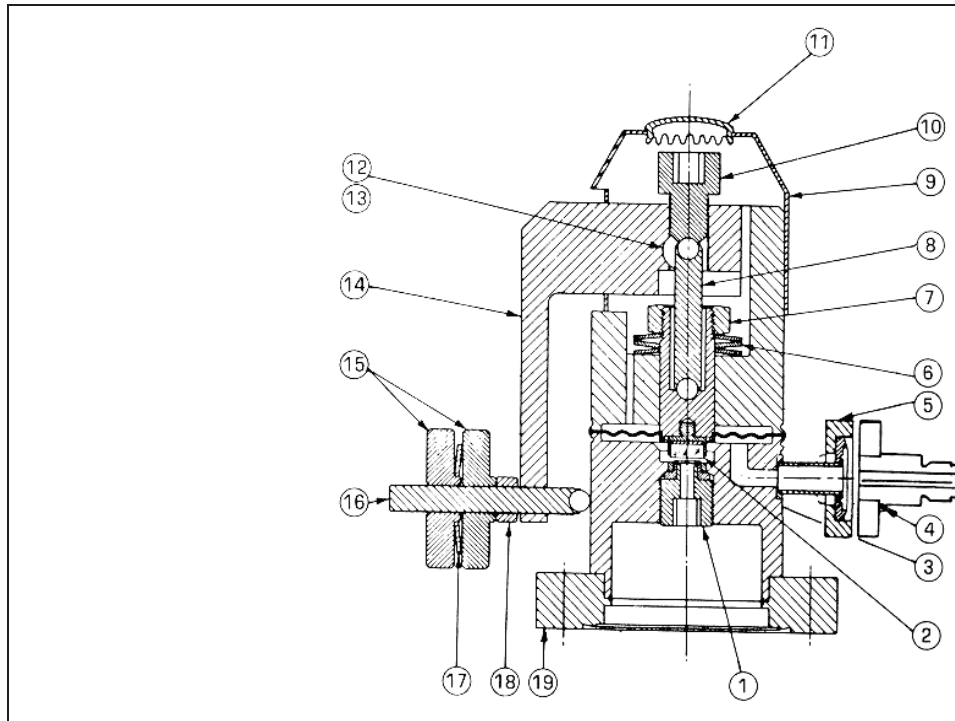


Figure 5 Variable leak valve assembly drawing

Please refer to the preceding figure

Tab. 2

Ref. item	Description	Q.ty req.d	Part Number
1*	Gasket assembly	1	953-5050
2*	Sapphire assembly	1	953-0072
6*	Spring washer	3	
7	Nut	1	
8	Rod assembly	1	
9	Cover	1	
10	Roughing screw	1	
11	Hole cover	1	

Ref. item	Description	Q.ty req.d	Part Number
12	Pivot rod	2	
13	Pan head screw, 8-32 x 1/4 lg	2	
14*	Handle	1	
15*	Knob	2	
16*	Fine drive screw assembly	1	
17*	Fine drive spring washer	1	
18*	Collar	1	
---	Sapphire removal tool	1	SR0061417400
---	5/16" Allen wrench	1	
---	1/4" Allen wrench	1	
---	SST brush	1	
---	High temperature lubricant Fel-Pro C-100	1	
	Repair Kit		962-0014

* This item is part of Repair Kit 962-0014.

Accessories

Tab. 3

Description	Part Number
Mating ConFlat flange 2 ¾" -rotatable	F0275-0150-RCE
Mating ConFlat flange 2 ¾" –non-rotatable	F0275-0150-NCE
Copper gasket for 2 ¾" CFF – Pkg./10	FG-0275-CI
Screw and nuts for 2 ¾" CFF – Pkg./25	FB-0275-CI
Mating Mini-ConFlat flange 1 1/3" - rotatable	F0133-0075-RCEW
Mating Mini-ConFlat flange 1 1/3" – non-rotatable	F0133-0075-NCE
Copper gasket for 1 1/3" – pkg./10	FG-0133-CI
Screw and nuts for 1 1/3" – pkg./25	FB-0133-C
Flare fitting adapter kit	951-5117
Consists of:	Q.ty
• Adapter flare – Mini-ConFlat	1
• Mini flange screws 8-32"	6
• Nut for mini flange 8-32"	6
• Gasket for mini flange	10
• Fitting nut (28629886-00)	1
• Fitting sleeve (28629887-00)	1



Agilent Technologies

Vacuum Products Division

Dear Customer,

Thank you for purchasing an Agilent vacuum product. At Agilent Vacuum Products Division we make every effort to ensure that you will be satisfied with the product and/or service you have purchased.

As part of our Continuous Improvement effort, we ask that you report to us any problem you may have had with the purchase or operation of our products. On the back side you find a Corrective Action request form that you may fill out in the first part and return to us.

This form is intended to supplement normal lines of communications and to resolve problems that existing systems are not addressing in an adequate or timely manner.

Upon receipt of your Corrective Action Request we will determine the Root Cause of the problem and take the necessary actions to eliminate it. You will be contacted by one of our employees who will review the problem with you and update you, with the second part of the same form, on our actions.

Your business is very important to us. Please, take the time and let us know how we can improve.

Sincerely,

Giampaolo LEVI

***Vice President and General Manager
Agilent Vacuum Products Division***

Note: Fax or mail the Customer Request for Action (see backside page) to Agilent Vacuum Products Division (Torino) – Quality Assurance or to your nearest Agilent representative for onward transmission to the same address.

CUSTOMER REQUEST FOR CORRECTIVE / PREVENTIVE / IMPROVEMENT ACTION

TO: AGILENT VACUUM PRODUCTS DIVISION TORINO – QUALITY ASSURANCE

FAX N°: XXXX-011-9979350

ADDRESS: AGILENT TECHNOLOGIES ITALIA S.p.A. – Vacuum Products Division –

Via F.lli Varian, 54 – 10040 Leinì (TO) – Italy

E-MAIL: vpd-qualityassurance_pdl-ext@agilent.com

NAME	COMPANY	FUNCTION
_____	_____	_____
ADDRESS: _____		
TEL. N° : _____ FAX N° : _____		
E-MAIL: _____		
PROBLEM / SUGGESTION :		

REFERENCE INFORMATION (model n°, serial n°, ordering information, time to failure after installation, etc.):		

		DATE _____
CORRECTIVE ACTION PLAN / ACTUATION (by AGILENT VPD)		LOG N° _____

XXX = Code for dialing Italy from your country (es. 01139 from USA; 00139 from Japan, etc.)

Vacuum Products Division Instructions for returning products

Dear Customer:

Please follow these instructions whenever one of our products needs to be returned.

- 1) Complete the attached Request for Return form and send it to Agilent Technologies (see below), taking particular care to identify all products that have pumped or been exposed to any toxic or hazardous materials.
- 2) After evaluating the information, Agilent Technologies will provide you with a Return Authorization (RA) number via email or fax, as requested.
Note: Depending on the type of return, a Purchase Order may be required at the time the Request for Return is submitted. We will quote any necessary services (evaluation, repair, special cleaning, eg).
- 3) **Important steps for the shipment of returning product:**
 - Remove all accessories from the core product (e.g. inlet screens, vent valves).
 - Prior to shipment, drain any oils or other liquids, purge or flush all gasses, and wipe off any excess residue.
 - If ordering an Advance Exchange product, **please use the packaging from the Advance Exchange to return the defective product**.
 - Seal the product in a plastic bag, and package product carefully to avoid damage in transit. You are responsible for loss or damage in transit.
 - Agilent Technologies is not responsible for returning customer provided packaging or containers.
 - **Clearly label package with RA number.** Using the shipping label provided will ensure the proper address and RA number are on the package. Packages shipped to Agilent without a RA clearly written on the outside cannot be accepted and will be returned.
- 4) Return only products for which the RA was issued.
- 5) **Product being returned under a RA must be received within 15 business days.**
- 6) **Ship to the location specified on the printable label, which will be sent, along with the RA number, as soon as we have received all of the required information.** Customer is responsible for freight charges on returning product.
- 7) Return shipments must comply with all applicable **Shipping Regulations** (IATA, DOT, etc.) and carrier requirements.

RETURN THE COMPLETED REQUEST FOR RETURN FORM TO YOUR NEAREST LOCATION:

EUROPE:
Fax: 00 39 011 9979 330
Fax Free: 00 800 345 345 00
Toll Free: 00 800 234 234 00
vpt-customer@agilent.com

NORTH AMERICA:
Fax: 1 781 860 9252
Toll Free: 800 882 7426, Option 3
vpl-ra@agilent.com

PACIFIC RIM:
please visit our website for individual
office information
<http://www.agilent.com>



Please read important policy information on Page 3 that applies to all returns.

1) CUSTOMER INFORMATION

Form with fields: Company Name, Contact Name, Tel, Email, Fax, Customer Ship To, Customer Bill To, Europe only: VAT reg. Number, USA/Canada only: Taxable, Non-taxable

2) PRODUCT IDENTIFICATION

Table with 4 columns: Product Description, Agilent P/N, Agilent S/N, Original Purchasing Reference

3) TYPE OF RETURN (Choose one from each row and supply Purchase Order if requesting a billable service)

- 3A. Non-Billable, Billable, New PO # (hard copy must be submitted with this form);
3B. Exchange, Repair, Upgrade, Consignment/Demo, Calibration, Evaluation, Return for Credit

4) HEALTH and SAFETY CERTIFICATION

AGILENT TECHNOLOGIES CANNOT ACCEPT ANY PRODUCTS CONTAMINATED WITH BIOLOGICAL OR EXPLOSIVE HAZARDS, RADIOACTIVE MATERIAL, OR MERCURY AT ITS FACILITY. Call Agilent Technologies to discuss alternatives if this requirement presents a problem. The equipment listed above (check one): HAS NOT pumped or been exposed to any toxic or hazardous materials. OR HAS pumped or been exposed to the following toxic or hazardous materials. List all toxic/hazardous materials. Include product name, chemical name, and chemical symbol or formula: NOTE: If a product is received at Agilent which is contaminated with a toxic or hazardous material that was not disclosed, the customer will be held responsible for all costs incurred to ensure the safe handling of the product, and is liable for any harm or injury to Agilent employees as well as to any third party occurring as a result of exposure to toxic or hazardous materials present in the product. Print Name: Authorized Signature: Date:

5) FAILURE INFORMATION:

Failure Mode (REQUIRED FIELD. See next page for suggestions of failure terms):
Detailed Description of Malfunction: (Please provide the error message)
Application (system and model):

I understand and agree to the terms of Section 6, Page 3/3.
Print Name: Authorized Signature: Date:



**Vacuum Products Division
Request for Return Form
(Health and Safety Certification)**

Please use these Failure Mode to describe the concern about the product on Page 2.

TURBO PUMPS and TURBO CONTROLLERS

APPARENT DEFECT/MALFUNCTION	POSITION	PARAMETERS
- Does not start - Does not spin freely - Does not reach full speed - Mechanical Contact - Cooling defective	- Noise - Vibrations - Leak - Overtemperature - Clogging	- Vertical -Horizontal -Upside-down -Other: Power: Rotational Speed: Current: Inlet Pressure: Temp 1: Foreline Pressure: Temp 2: Purge flow: OPERATING TIME:

ION PUMPS/CONTROLLERS

- Bad feedthrough	- Poor vacuum
- Vacuum leak	- High voltage problem
- Error code on display	- Other

VALVES/COMPONENTS

- Main seal leak	- Bellows leak
- Solenoid failure	- Damaged flange
- Damaged sealing area	-Other

LEAK DETECTORS

- Cannot calibrate	-No zero/high background
- Vacuum system unstable	- Cannot reach test mode
- Failed to start	- Other

INSTRUMENTS

- Gauge tube not working	- Display problem
- Communication failure	- Degas not working
- Error code on display	- Other

SCROLL AND ROTARY VANE PUMPS

- Pump doesn't start	- Noisy pump (describe)
- Doesn't reach vacuum	- Over temperature
- Pump seized	- Other

DIFFUSION PUMPS

- Heater failure	- Electrical problem
- Doesn't reach vacuum	- Cooling coil damage
- Vacuum leak	- Other

Section 6) **ADDITIONAL TERMS**

Please read the terms and conditions below as they apply to all returns and are in addition to the Agilent Technologies Vacuum Product Division – Products and Services Terms of Sale.

- Customer is responsible for the freight charges for the returning product. Return shipments must comply with all applicable **Shipping Regulations** (IATA, DOT, etc.) and carrier requirements.
- Customers receiving an Advance Exchange product agree to return the defective, rebuildable part to Agilent Technologies **within 15 business days**. Failure to do so, or returning a non-rebuildable part (crashed), will result in an invoice for the non-returned/non-rebuildable part.
- Returns for credit toward the purchase of new or refurbished Products are subject to prior Agilent approval and may incur a restocking fee. Please reference the original purchase order number.
- Units returned for evaluation will be evaluated, and a quote for repair will be issued. If you choose to have the unit repaired, the cost of the evaluation will be deducted from the final repair pricing. A Purchase Order for the final repair price should be issued within 3 weeks of quotation date. Units without a Purchase Order for repair will be returned to the customer, and the evaluation fee will be invoiced.
- A Special Cleaning fee will apply to all exposed products per Section 4 of this document.
- If requesting a calibration service, units must be functionally capable of being calibrated.

Sales and Service Offices

United States

**Agilent Technologies
Vacuum Products Division**
121 Hartwell Avenue
Lexington, MA 02421 - USA
Tel.: +1 781 861 7200
Fax: +1 781 860 5437
Toll-Free: +1 800 882 7426

Benelux

**Agilent Technologies Netherlands B.V.
Vacuum Products Division**
Herculesweg 8
4338 PL Middelburg
The Netherlands
Tel.: +31 118 671570
Fax: +31 118 671569
Toll-Free: 00 800 234 234 00

Canada

**Central coordination through: Agilent Technologies
Vacuum Products Division**
121 Hartwell Avenue
Lexington, MA 02421 - USA
Tel.: +1 781 861 7200
Fax: +1 781 860 5437
Toll-Free: +1 800 882 7426

China

**Agilent Technologies (China) Co. Ltd
Vacuum Products Division**
No.3, Wang Jing Bei Lu,
Chao Yang District,
Beijing, 100102
China
Tel.: +86 (10) 6439 7718
Toll-Free: 800 820 6556

France

**Agilent Technologies France
Vacuum Products Division**
7 Avenue des Tropiques
Z.A. de Courtaboeuf - B.P. 12
91941 Les Ulis cedex - France
Tel.: +33 (0) 1 69 86 38 84
Fax: +33 (0) 1 69 86 29 88
Toll free: 00 800 234 234 00

Germany and Austria

**Agilent Technologies
Vacuum Products Division**
Alsfelder Strasse 6 Postfach 11
14 35
64289 Darmstadt – Germany
Tel.: +49 (0) 6151 703 353
Fax: +49 (0) 6151 703 302
Toll free: 00 800 234 234 00

India

**Agilent Technologies India Pvt. Ltd.
Vacuum Product Division**
G01, Prime corporate Park,
230/231, Sahar Road, Opp. Blue Dart Centre,
Andheri (East), Mumbai – 400 099, India
Tel: +91 22 30648287/8200
Fax: +91 22 30648250
Toll Free: 1800 113037

Italy

**Agilent Technologies Italia S.p.A.
Vacuum Products Division**
Via F.lli Varian 54
10040 Leini, (Torino) - Italy
Tel.: +39 011 997 9111 Fax: +39 011 997 9350
Toll-Free: 00 800 234 234 00

Japan

**Agilent Technologies Japan, Ltd.
Vacuum Products Division**
8th Floor Sumitomo Shibaura Building
4-16-36 Shibaura Minato-ku Tokyo 108-0023 - Japan
Tel.: +81 3 5232 1253
Fax: +81 3 5232 1710
Toll-Free: 0120 655 040

Korea

**Agilent Technologies Korea, Ltd.
Vacuum Products Division**
Shinsa 2nd Bldg, 2F 966-5 Daechi-dong
Kangnam-gu, Seoul
Korea 135-280
Tel.: +82 2 3452 2452
Fax: +82 2 3452 2451
Toll-Free: 080 222 2452

Mexico

**Agilent Technologies
Vacuum Products Division**
Concepcion Beistegui No 109 Col Del Valle
C.P. 03100 – Mexico, D.F.
Tel.: +52 5 523 9465
Fax: +52 5 523 9472

Singapore

**Agilent Technologies Singapore Pte. Ltd.
Vacuum Products Division**
Agilent Technologies Building,
1 Yishun Avenue 7,
Singapore 768923
Tel : (65) 6215 8045
Fax : (65) 6754 0574

Southeast Asia

**Agilent Technologies Sales Sdn Bhd
Vacuum Products Division**
Unit 201, Level 2 uptown 2,
2 Jalan SS21/37, Damansara Uptown
47400 Petaling Jaya,
Selangor, Malaysia
Tel : +603 7712 6106
Fax: +603 6733 8121

Taiwan

**Agilent Technologies Taiwan Limited
Vacuum Products Division (3F)**
20 Kao-Shuang Rd.,
Pin-Chen City, 324
Taoyuan Hsien , Taiwan, R.O.C.
Tel. +886 34959281
Toll Free: 0800 051 342

UK and Ireland

**Agilent Technologies UK, Ltd.
Vacuum Products Division**
6 Mead Road Oxford Industrial Park
Yarnton, Oxford OX5 1QU – UK
Tel.: +44 (0) 1865 291570
Fax: +44 (0) 1865 291571
Toll free: 00 800 234 234 00

Other Countries

**Agilent Technologies Italia S.p.A.
Vacuum Products Division**
Via F.lli Varian 54 10040 Leini, (Torino) -
Italy
Tel.: +39 011 997 9111
Fax: +39 011 997 9350
Toll-Free: 00 800 234 234 00

Customer Support & Service

NORTH AMERICA:

Toll Free: 800 882 7426, Option 3
vpl-ra@agilent.com

EUROPE:

Toll Free: 00 800 234 234 00
vpt-customer@agilent.com

PACIFIC RIM:

please visit our website for individual office
information <http://www.agilent.com>

Worldwide Web Site, Catalog and Order

On-line:

www.agilent.com
Representative in most countries
12/10

© Agilent Technologies, Inc. 2011

Printed in ITALY
05/2011

Publication Number: 87-400-085-01 (D)



Agilent Technologies