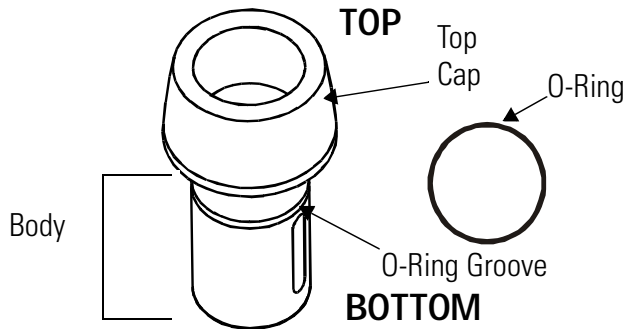


# 71980/71990 WELL ADAPTER FOR 719 SERIES LITHIUM ION HANDLE

## Parts List



## INSTALLATION INSTRUCTIONS

See Well Adapter/Well Configuration Chart for well adapter model/charger manufacturer compatibility.

CAUTION: Placing the incorrect model well adapter in a handle receptacle may cause damage to the adapter.

### Well Adapter/Well Configuration Chart

	Manufacturer Model/Type	Well Adapter Part Number	
		71980	71990
	<b>COW</b> <sup>1</sup> Refraction Desk II/CBWC 16-002,3-Well Charger/CHC 01-000, Exam Support Cntrlr II/ESC 15-000	X	
	<b>MARCO</b> <sup>1</sup> Deluxe, Encore Debut	X	X + o-ring
	<b>RELIANCE</b> <sup>1</sup> 905, 7720, 7800, 7700, 7750, 500/ENT Cabinet, HV, Eclipse	X	
	<b>R.H. Burton</b> <sup>1</sup> 2001 <sup>2</sup> , 2201 <sup>2</sup> , 3001 <sup>2</sup> , 3200, 3201, 3202, 3203, 4303		X
	<b>TOPCON</b> <sup>1</sup> IS-2000 CS-4, ORL-2000/3000/4000, Omni	X + o-ring	X + o-ring
	<b>WELCH ALLYN</b> 7111X Desk Charger	X	
<sup>1</sup> - Compatible with 120V version stands with 3.5v handle charging receptacles <sup>2</sup> - Remove well insulator cup on charging stand prior to inserting well adapter into handle receptacle.			

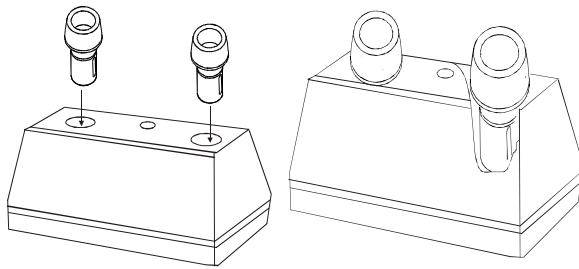
## Installing the Well Adapter into the Welch Allyn 7111x Desk Charger

NOTE: The well adapter is **NOT** required for Welch Allyn Universal Charger, model no. 7114x (black color).

1. Insert the Well Adapter(s) into the handle receptacle(s) of the desk charger. Insert the adapter until it is fully seated (figure 1).

- The 7111x desk charger is now ready to accept the 719 series lithium ion handle.

**Figure 1**



## **Installing Well Adapter into Ophthalmic Stand/Charging Well**

### **Installing O-ring onto Well Adapter**

- If required, place o-ring provided around the bottom of the Well Adapter.
- Slide o-ring up the Well Adapter body into the pre-cut groove in the middle of the adapter. The Well Adapter should now fit snugly into the handle charging receptacle.

### **Installing Well Adapter into Handle Receptacle**

- Remove Top Cap
- Insert the Well Adapter(s) into the handle receptacle(s) of the charger device. Be sure to insert the adapter until it is fully seated.
- Replace top cap on top of the well adapter, if desired.
- The charging well is now ready to accept the 719 series Lithium Ion handle.

NOTE: The black top cap portion of the Well Adapter is designed to slide to fit the depth of the handle receptacle.

NOTE: If it appears that the handle is not taking a charge, remove well adapter, turn approximately 90° (quarter turn) and re-insert into the charging device receptacle.

IMPORTANT: Remove handle prior to removing adapter from charging receptacle as damage to the adapter may occur.

Do not sterilize the 719 Series Power Handle or Well Adapter.

## **SPECIFICATIONS**

(Specifications and design may change without notice)

### **Well Adapter**

**Model Number:** 71980, 71990

**Approvals:** Complies with: IEC 60601-1, CAN/CSA C22.2 No 125, and UL 544  
When used with 71920 Well Adapter and 711 series Desk Charger

### **Environment (All System Components)**

**Transport/Storage:** -20°C ~ 49°C, 95% R.H. Max, 500hPa - 1060hPa, Altitude

**Operating:** 10°C ~ 40°C, 95% R.H. Max, 500hPa - 1060hPa, Altitude

**CE** The CE mark on this product indicates it has been tested to and conforms with the provisions noted in the 93/42/EEC Medical Device Directive.

Authorized European Representative:  
European Regulatory Manager  
Welch Allyn, Ltd.  
Navan, County Meath  
Republic of Ireland  
Telephone: 353 67700  
Fax: 353 46 27128

# SERVICE AND WARRANTY

## Service Information

Other than battery replacement, this equipment contains no user serviceable parts. Return to a Welch Allyn authorized service center for service.

For Technical Support or to obtain return instructions, please contact your nearest Welch Allyn service center listed.

Welch Allyn, Inc.  
4341 State Street Road  
Skaneateles Falls, NY 13153-0220  
Telephone: 800-535-6663  
Fax: 315-685-4653

Welch Allyn, Ltd - Canada  
160 Matheson Blvd. E., Unit #2  
Mississauga, Canada L4Z 1V4  
Telephone: 905-890-0004  
Fax: 905-890-0008

Product Service Centre  
Welch Allyn Protocol  
St. Georges House  
Vernon Gates  
Derby, UK DE1 1UQ  
Tel: 011-01332-206208  
Fax: 011-01332-206209

Welch Allyn, GmbH PSC  
Zollerstrasse 2-4  
D72417 Juningen, Germany  
Telephone: 011-49-7477-927173  
Fax: 011-49-7477-927193

Welch Allyn, LTD - Singapore  
6001 Beach Road #21-09  
Golden Mile Tower  
Singapore 199589  
Telephone: 011-65-291-0882  
Fax: 011-65-291-5780

Welch Allyn China Service Center  
247 Beijing Road West  
Shanghai 20003, China  
Telephone: 011-86-21-5403-6214  
FAX: 011-86-21-5403-0072

Welch Allyn, Ltd. - Australia  
Metro Centre Unit 5  
38 South Street  
Rydalmere NSW 2116, Australia  
Telephone: 011-(612) 9638-3000  
Fax: 011-(612) 9638-3500

## Warranty

The 71980/71990 Well Adapter is guaranteed by Welch Allyn against all manufacturing defects. Welch Allyn will repair or replace, free of charge, any parts of its own manufacture proven to be defective through causes other than misuse, neglect, damage in shipment, or normal wear.