



Recessed Mounting Kit SR11-S-VB Installation Guide

This camera is for indoor use only. This "Installation Guide" explains the installation method using the Recessed Mounting Kit SR11-S-VB. Be sure to read the "Safety Precautions" section for correct use. After reading this Installation Guide, keep it in a readily accessible location for future reference.

In addition to this "Installation Guide", please also read the "Installation Guide" included with the camera.

Caution Request a professional installer for all installation work. Never try to install the camera yourself. Doing so may result in unforeseen accidents such as dropping the camera or electric shock.

Check Included Items

This product comes with the following items. If any item is missing, contact the dealer where you purchased the product.

- Recessed Mounting Unit Template
- Recessed Mounting Cover Screws (M4) x 4
- Installation Guide (This document)

Symbols Indicating Safety Precautions

This Installation Guide uses the following symbols to indicate important information the user should know in order to use the product safely. Explanations are provided for each symbol so that users will understand the level of importance for each. Be sure to observe these items.

Warning	Failure to follow the instructions accompanied by this symbol may result in death or serious injury.
Caution	Failure to follow the instructions accompanied by this symbol may result in injury.
Caution	Failure to follow the instructions accompanied by this symbol may result in property damage.
Important	This symbol indicates important or restricted items.
Note	Contains reference information for operation or additional explanations.

Safety Precautions

Installation Precautions

Warning

Do not install in the following places:

- Places in direct sunlight, near heat-generating objects, or subject to high temperatures
- Places near fire sources or flammable solvents (alcohol, thinner, fuel, etc.)
- Humid or dusty places
- Places subject to oily smoke or steam
- Places subject to sea air
- Confined or enclosed places

Failure to do so may result in fire or electric shock.

Notes on Power Supply

- Only use the dedicated AC Adapter (sold separately) for AC power.
- Do not set any heavy objects on the power cable (or the LAN cable for a PoE power supply).
- Do not pull, forcibly bend, scratch, or modify the power cable (or the LAN cable for a PoE power supply).
- Do not cover or wrap the AC adapter (sold separately) with cloth or blankets.

Failure to do so may result in fire or electric shock. Be sure to read the user manual for the dedicated AC adapter (sold separately) before use.

Caution

For installation or inspection of this camera, consult the dealer where you purchased the product.

- This installation should be made by a qualified service person and should conform to all local codes.
- When installing, make sure the surface is capable of withstanding the total weight of the camera and accessories, and that it is sufficiently reinforced.
- Periodically check the parts and screws for rust and loosening, in order to prevent injuries and equipment damage due to falling items.

- Do not install in unstable places, places subject to significant vibration or impact, or places subject to salt damage or corrosive gas.
- Be sure to attach the safety wire when installing the camera.
- Use only with compatible cameras.
- If a ceiling plate thickness is not between 5.0 and 40.0 mm, do not use it.

Failure to do so may result in the camera falling or other accidents.

- Do not touch the edges of the metal parts with bare hands.
 - Take care not to catch your fingers when installing.
- Failure to do so may result in injuries.

Caution

- Do not turn the camera rotator by hand.
- Do not install on an unstable surface. Also, make sure the camera is less than ±5° off horizontal.
- After turning off the power, do not turn the power on again for at least five seconds.
- Take measures to remove static electricity before performing any procedures.
- If there is condensation, please wait to power on, until the condensation dissipates.

Failure to do so may result in malfunctions.

- Take care not to damage wiring or piping.
- Failure to do so may result in damage to peripheral items.

Precautions for Use

Warning

- If you discover defective conditions such as smoke, strange sounds, heat or strange odors, immediately stop using the camera and contact your nearest dealer.
- Fire or electric shock may result from continued use of the product.

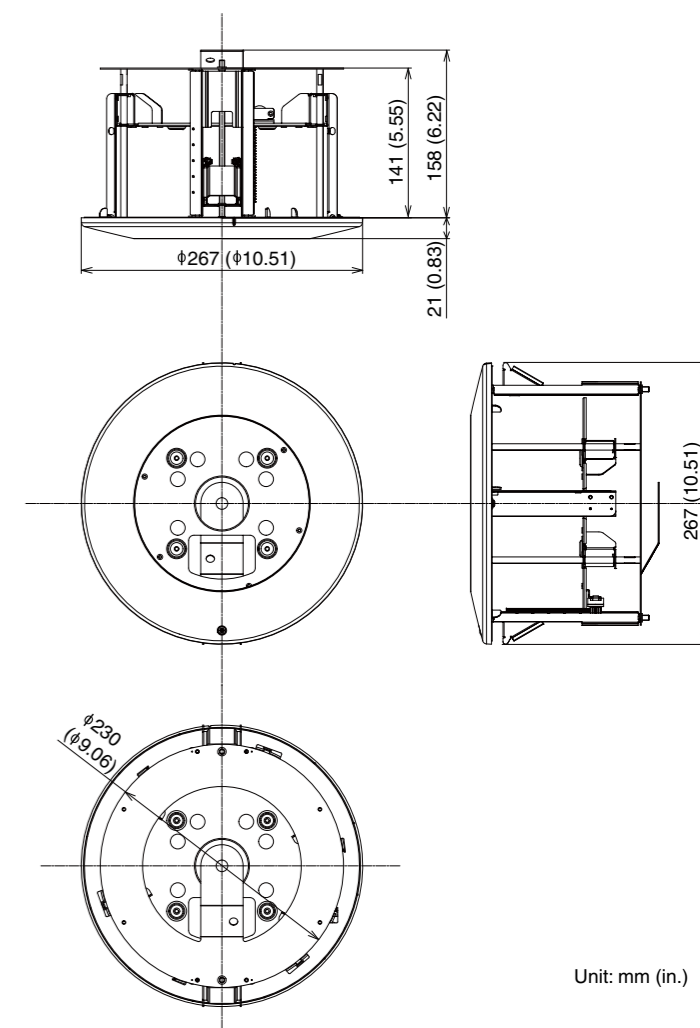
- If thunder starts, stop installation or inspection etc. and do not touch the camera or continue connecting the cable.
 - Do not disassemble or modify the camera.
 - Do not damage the connecting cable.
 - Do not spray the camera with water, or otherwise make it wet.
 - Do not insert foreign objects such as water or metal into the camera.
 - Do not use flammable sprays near the camera.
 - Do not leave LAN cables, external power supply, or the power connector for the AC adaptor (sold separately) connected when the camera is not in use for long periods.
 - Do not use flammable solvents such as alcohol, paint thinner or benzene when cleaning the camera.
- Failure to do so may result in fire or electric shock.

Main Specifications

Model	SR11-S-VB
Weight	Approx. 1320 g (2.92 lb.) (Recessed Mounting Unit, Recessed Mounting Cover)

The contents of this guide are subject to change without any prior notice.

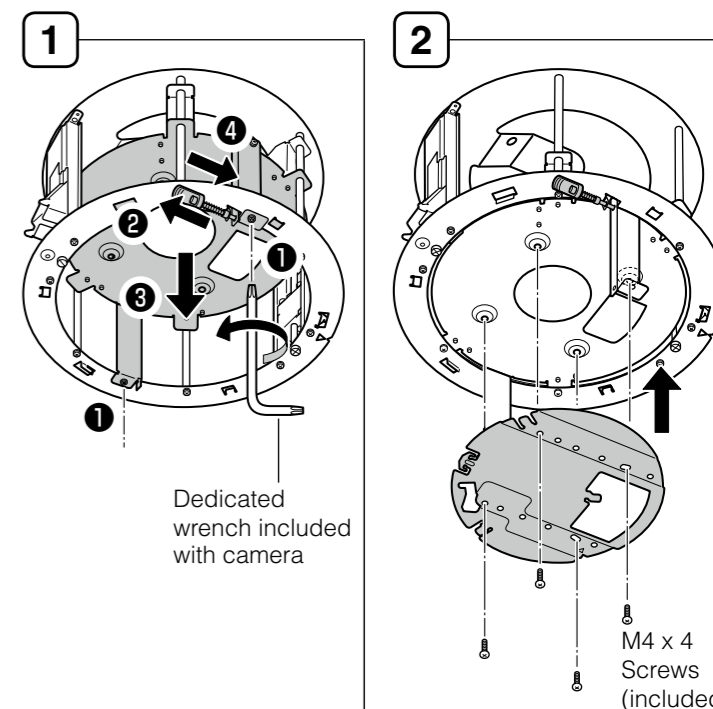
External Dimensions



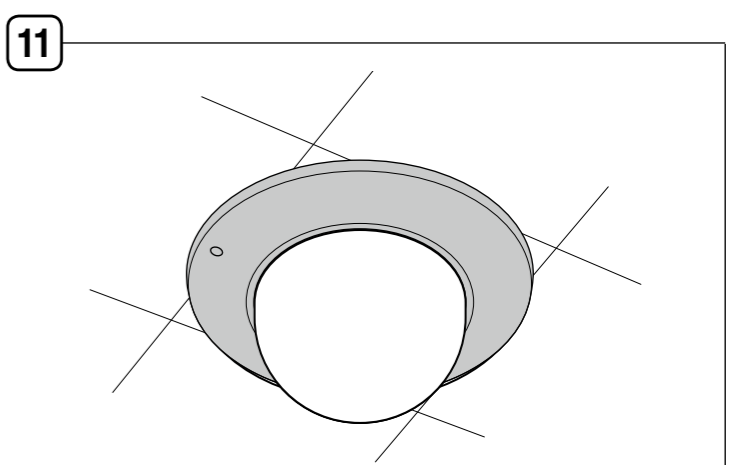
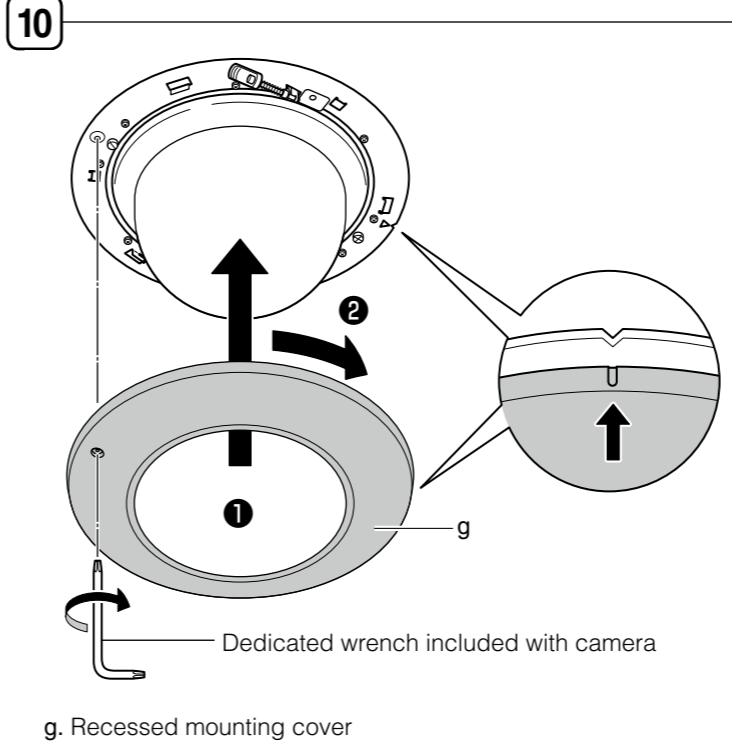
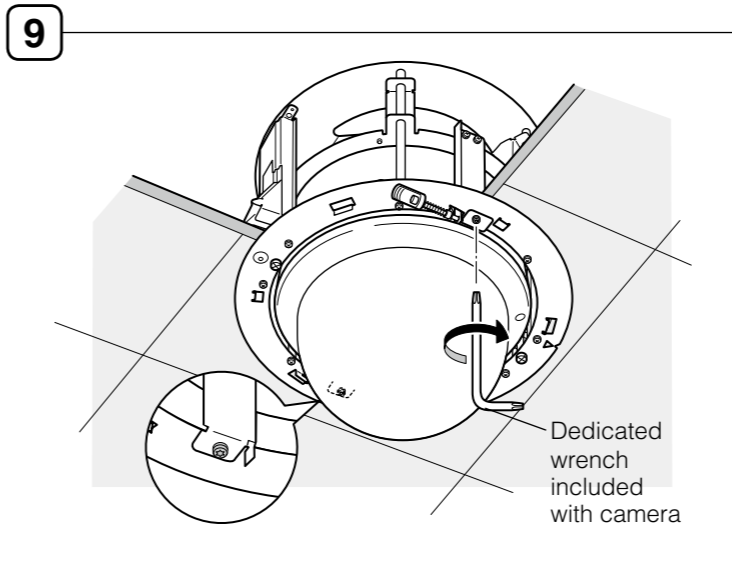
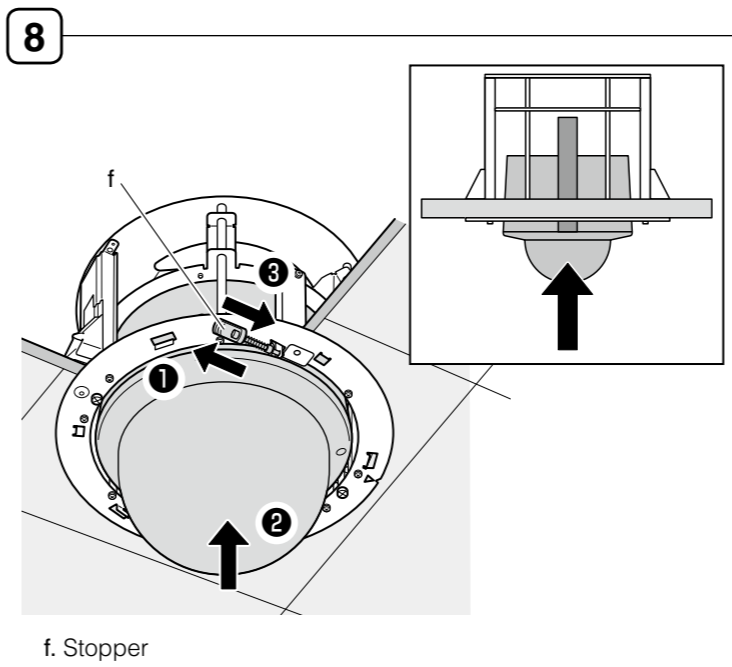
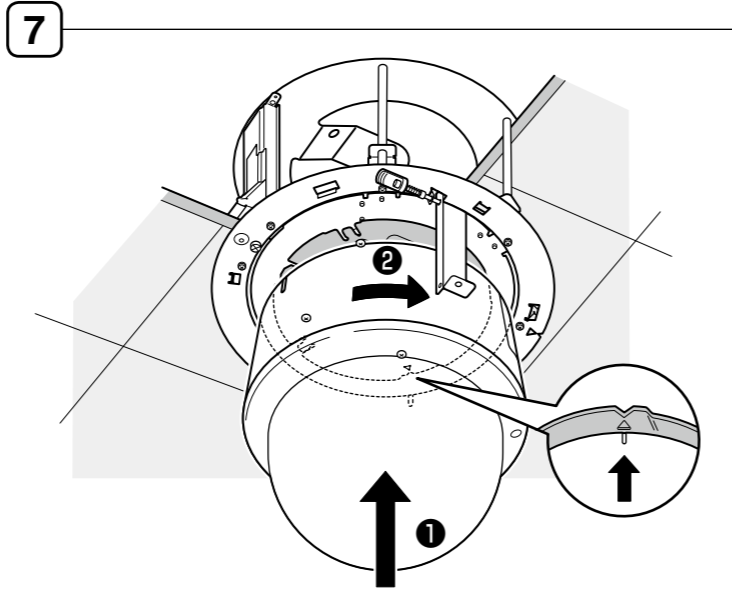
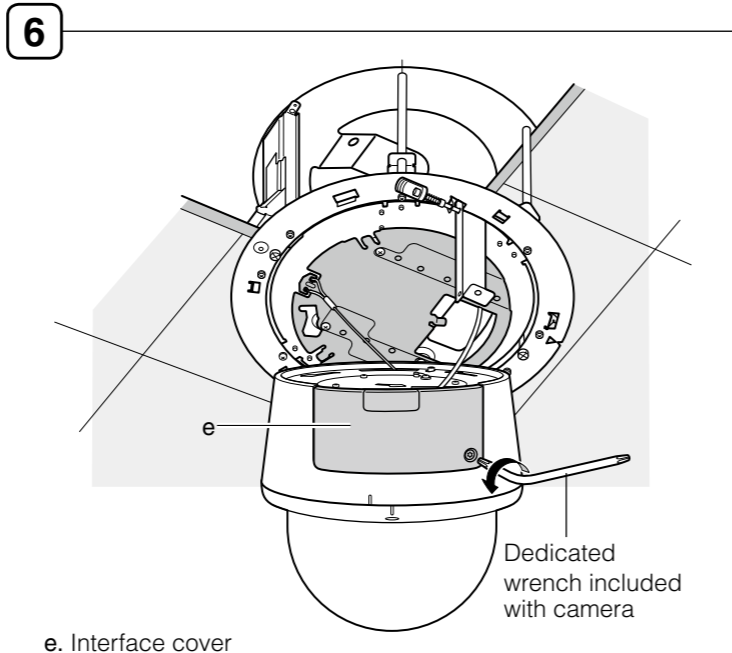
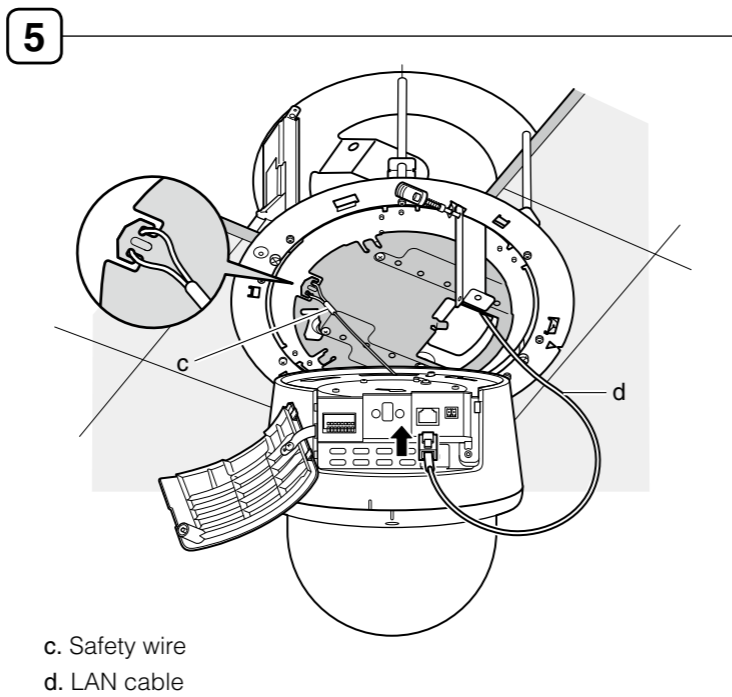
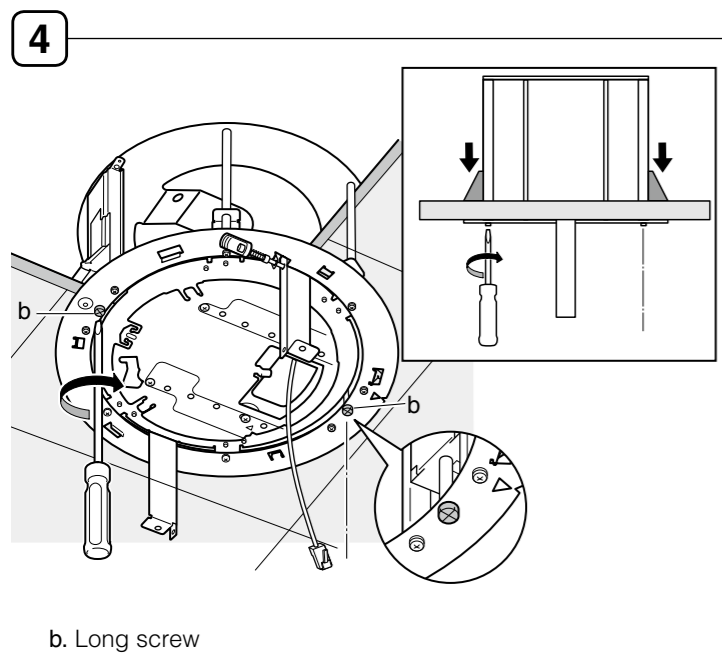
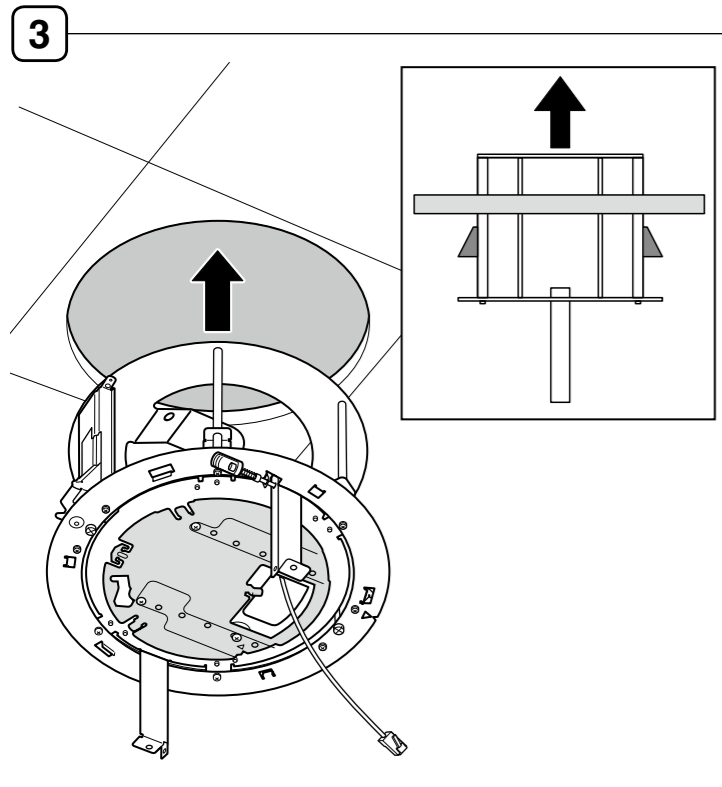
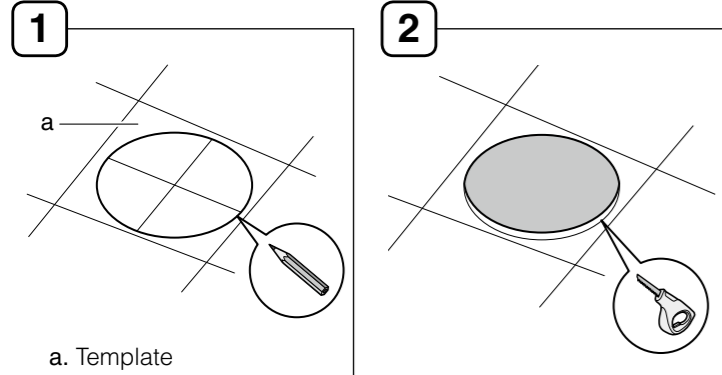
Unit: mm (in.)

Before installing the camera

Perform camera settings by using the software on the Setup CD-ROM (please refer to the "Operation Guide"). Attach the Ceiling Plate that is included with the camera to the Recessed Mounting Unit.



Installing the Camera



Removing

