

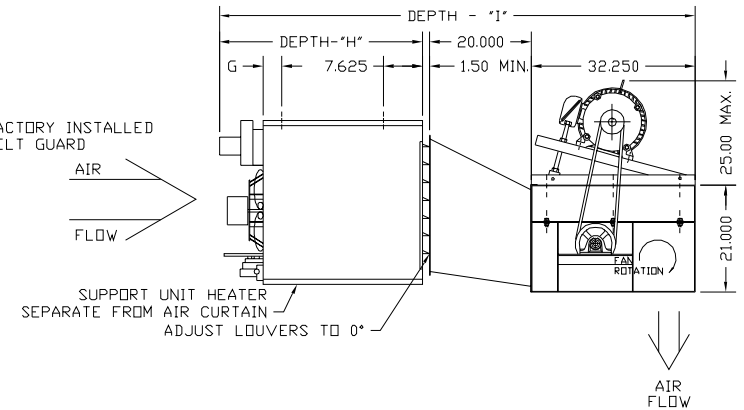
# CFY

## POSITIVE INDIRECT GAS TWO HEATER SYSTEM

### NOTES:

- ⚠ AIR CURTAIN MUST BE INSTALLED SO AIR STREAM IS NOT OBSTRUCTED WHEN DEFLECTED 20° TO EITHER SIDE OF C.
- ⚠ ELECTRICAL CONNECTIONS TO BE FLEXIBLE.
- ⚠ FIELD VERIFY DIMENSIONS.
- ⚠ ANCHORS TO SUPPORTING STRUCTURE BY OTHERS.
- ⚠ ADEQUACY OF SUPPORTING STRUCTURE IS TO BE VERIFIED BY A PROFESSIONAL STRUCTURAL ENGINEER.
- ⚠ SUPPLY PRESSURES HIGHER THAN 0.50 POUND REQUIRE INSTALLATION OF AN ADDITIONAL SERVICE REGULATOR EXTERNAL TO THE UNIT.
- ⚠ OPTIONAL CONTROL PANEL AVAILABLE: LEFT HAND MOUNT, RIGHT HAND MOUNT, & REMOTE. PLEASE SPECIFY.
- ⚠ DIMENSIONS IN INCHES.

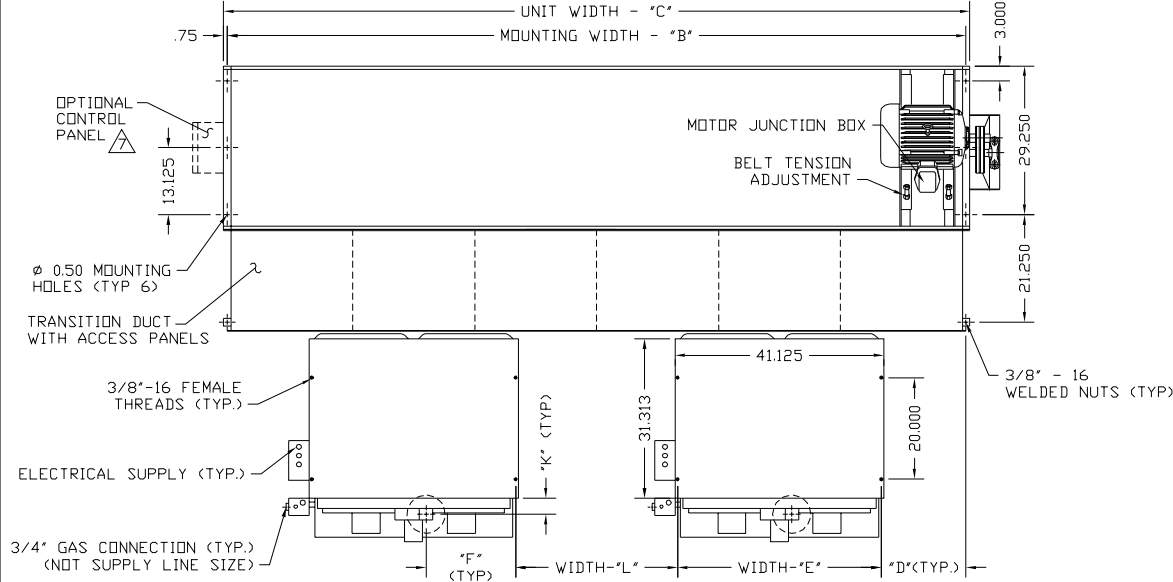
### END VIEW (BELT GUARD REMOVED)



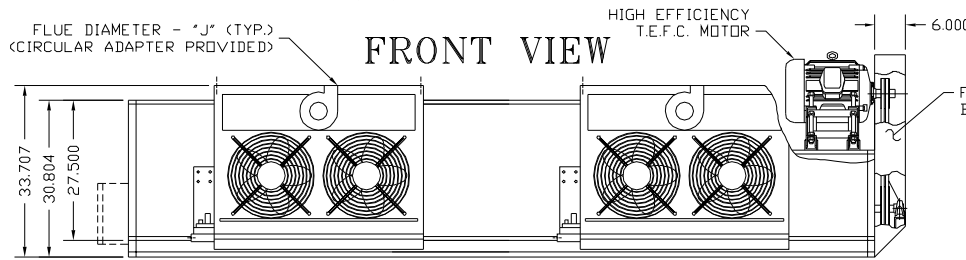
### CAUTION:

HEATER IS EQUIPPED FOR A MAXIMUM GAS SUPPLY PRESSURE OF 1/2 POUND, 8 OUNCES, OR 14 INCHES WATER COLUMN.

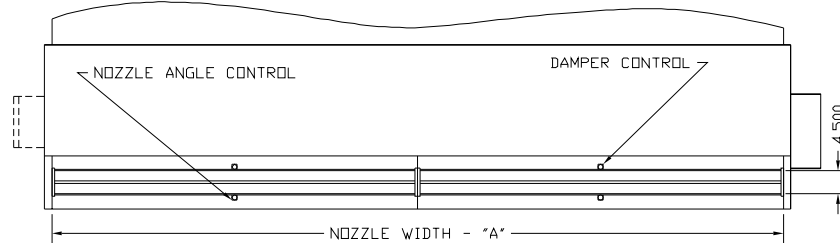
### TOP VIEW



### FRONT VIEW



### BOTTOM VIEW



MODEL	NOZZLE WIDTH "A"	MOUNTING WIDTH "B"	UNIT WIDTH "C"	MBTU INPUT	WIDTH "D"	WIDTH "E"	WIDTH "F"	DEPTH "G"	DEPTH "H"	DEPTH "I"	FLUE "J"	WIDTH "K"	WIDTH "L"
CFY1096G	96.00	97.50	99.00	2 @ 230	4.688	40.125	17.00	3.688	40.00	93.750	5.00	3.50	7.874
CFY1108G	108.00	109.50	111.00	2 @ 230	7.688	40.125	17.00	3.688	40.00	93.750	5.00	3.50	13.874
CFY1120G	117.00	118.50	120.00	2 @ 345	9.938	40.125	17.00	3.688	41.125	94.875	6.00	3.50	18.375
CFY1132G	132.00	133.50	135.00	2 @ 345	13.688	40.125	21.625	3.688	41.125	94.875	6.00	3.50	25.874
CFY1144G	144.00	145.50	147.00	2 @ 400	16.688	40.125	21.625	3.688	41.125	94.875	6.00	3.50	31.874
CFY1156G	156.00	157.50	159.00	2 @ 400	19.688	40.125	21.625	3.688	41.125	94.875	6.00	3.50	37.874

PROJECT		
LOCATION		
ARCHITECT		
ENGINEER		REV. A
DWG. NO.	CFCR3217	TITLE: <b>BERNER</b>
DATE	29JUN06	MODEL CFY AIR CURTAIN
BY	A. Johnston	INDIRECT GAS FIRED - TWO HEATER SYSTEM
REPLACES	06MAY03	
BY	B. Peffer	BERNER INTERNATIONAL CORP. NEW CASTLE, PA.