

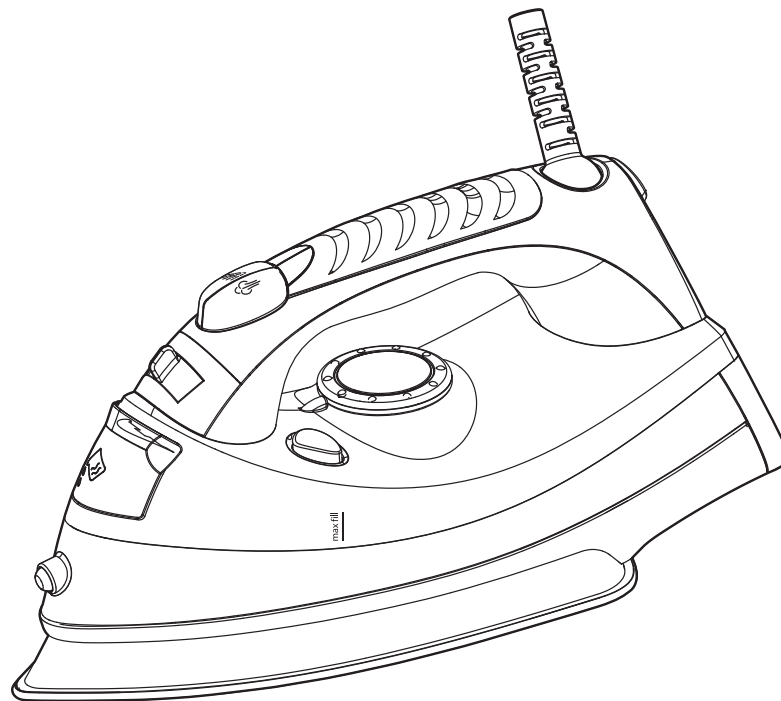
Sunbeam®

Instruction Manual **Classic Iron**

Notice d'emploi **Fer à repasser classique**

**MODEL/
MODÈLE**

GCSBBV212



IMPORTANT SAFEGUARDS

When using electrical appliances, basic safety precautions should always be followed including the following:

READ ALL INSTRUCTIONS BEFORE USE

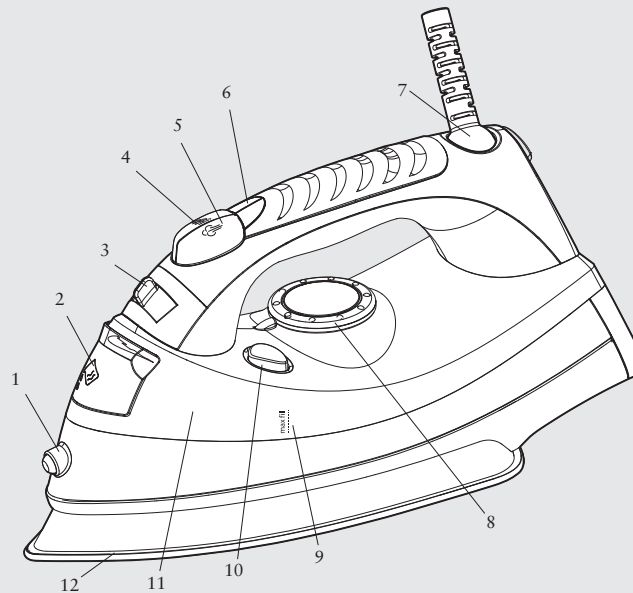
- Only use an iron for its intended use.
- To avoid the risk of electric shock, do not immerse the iron in water or other liquids.
- Always turn the iron to “Off” before plugging or unplugging the iron from the electrical outlet. Never pull on the cord to disconnect the iron from the electrical outlet; instead, grasp the plug and pull on the plug to disconnect the iron.
- Do not let the cord touch hot surfaces. Let the iron cool completely before putting the iron away. Coil the cord loosely around the iron when storing.
- Always disconnect the iron from the electrical outlet before filling the iron with water, emptying the water from the iron, and when the iron is not in use.
- Do not operate the iron with a damaged cord or in the event the iron has been dropped or damaged. To avoid the risk of electric shock, do not disassemble or attempt to repair the iron. Take it to a qualified service center for examination and repair. Incorrect assembly or repair might result in a risk of electric shock, a risk of fire or injury to person when the iron is used after reassembly or repair.
- Close supervision is required for any appliance used by or near children. Do not leave the iron unattended while the iron is connected or on an ironing board.
- Burns can occur from touching hot metal parts, hot water, or steam. Use caution when you turn a STEAM IRON upside down – there might be hot water in the reservoir.
- In the event the iron is not operating properly, disconnect the iron from the electrical outlet and have the iron serviced by qualified service personnel.
- This iron must not be left unattended while it is connected to the supply mains
- The iron must be used and rested on a stable surface.
- The iron is not to be used if it has been dropped, if there are visible signs of damage or if it is leaking.
- To reduce the risk of contact with hot water emitting from steam vents, check appliance before each use by holding it away from body and operating steam button.
- To avoid a circuit overload, do not operate another high wattage appliance on the same circuit.
- If an extension cord is absolutely necessary, a 15-ampere cord should be used. Cords rated for less amperage may overheat. Care should be taken to arrange the extension cord so that it cannot be pulled or tripped over.

To reduce the risk of electrical shock, this appliance has a polarized plug (one blade is wider than the other). This plug fits a polarized outlet only one way; if the plug does not fit fully into the outlet, reverse the plug. If it still does not fit, contact a qualified electrician. Do not attempt to defeat this safety feature.

SAVE THESE INSTRUCTIONS

FEATURES OF YOUR CLASSIC IRON

1. Spray Mist Release
2. Covered Water Fill Hole
3. Steam Dial
4. Spray Mist Button
5. Shot of Steam® Button
6. Power Indicator Light
7. 360° Tangle-Free Swivel Cord
8. Fabric Select Dial
9. Maximum Fill Line
10. Self Clean Button
11. See-Through Water Reservoir
12. Soleplate



CARACTÉRISTIQUES DU FER CLASSIQUE

1. Orifice d'atomisation
2. Orifice de remplissage à volet
3. Variateur de vapeur
4. Bouton d'atomisation
5. Bouton de survapeur Shot of Steam^{MD}
6. Voyant d'alimentation
7. Cordon articulé 360°, non emmêlant
8. Cadran de sélection des textiles
9. Repère de remplissage maximal
10. Bouton d'autonettoyage
11. Réservoir translucide
12. Semelle

Visit www.sunbeam.ca for an Ironing Guide and Ironing Tips
Voyez le guide et les conseils de repassage au www.sunbeam.ca

TO FILL THE WATER RESERVOIR *(use tap water)*

1. Make sure the iron is unplugged. Set the Steam Dial to ☼ (Dry) and the Fabric Select Dial to MIN.
2. Lift the Water Fill Hole Cover.
3. Fill an easy-pour measuring cup with tap water and pour water into iron water reservoir. Do not fill water reservoir beyond maximum fill level.

WARNING: To prevent the risk of burns, be careful when filling a hot iron with water. Hot metal parts, hot water and steam can cause injuries.

DRY IRONING

1. Make sure the Steam Dial is turned to the ☼ (Dry) setting.
2. Plug the cord into a 120-Volt AC outlet.
3. Turn the large Fabric Select Dial to the fabric setting you desire. Allow the iron to heat for 2 minutes. While the iron is heating, make sure it is sitting on its heel rest on a stable, protected surface.

NOTE: While the Steam Dial is turned to the ☼ (Dry) setting, you may still use the Shot of Steam® or Spray Mist feature, as long as the Fabric Select Dial is set to wool, cotton, or linen. Please make sure the water reservoir is approximately ¼ full of water.

STEAM IRONING

1. Follow the instructions for “Filling the Water Reservoir.”
2. Plug the cord into a 120-Volt AC outlet.
3. Turn the Fabric Select Dial to the fabric setting you desire. Allow the iron to heat for 2 minutes. While the iron is heating, make sure it is sitting on its heel rest on a stable, protected surface.

IMPORTANT: When not ironing, always set the Steam Lever to ☼ (Dry) and the Fabric Select Dial to MIN.

USING THE IRON’S SPECIAL FEATURES

SPRAY MIST FEATURE is a powerful water spray mist that dampens the fabric to aid in removing wrinkles from heavy fabrics and for setting creases.

TO USE THE SPRAY MIST FEATURE: Press the Spray Mist button firmly.

SHOT OF STEAM® FEATURE provides an extra burst of steam for deep penetration of stubborn wrinkles. You can use this feature while Dry or Steam ironing, as long as the Fabric Select Dial is set to wool, cotton, or linen. The water reservoir must be approximately ¼ full of water.

TO USE THE SHOT OF STEAM® FEATURE: Place the iron on top of the wrinkle and press the Shot of Steam® button each time you would like an extra burst of steam. The Shot of Steam® feature may be used continuously in approximately 3-second intervals.

VERTICAL STEAM allows your iron to function as a garment steamer.

TIP: When using vertical steam on clothing, hang the clothing on a clothes hanger for best results. Hanging curtains and drapes may also be steamed.

TO USE VERTICAL STEAM:

1. Make sure that the iron has heated up (2 minutes).
2. Hold the iron in a vertical position, with the iron close to but not touching the fabric you want to steam.
3. With your other hand, pull the fabric tight.
4. Press the Shot of Steam® button in approximately 3-second intervals as you move the iron across the wrinkled area.

WARNING: To prevent the risk of burns, keep your hand away from the area being steamed.

WARNING: DO NOT steam garments while wearing them; this may result in injuries.

MOTION SMART AUTO-OFF FEATURE

When the iron is plugged in, the Power Indicator will light steadily, indicating that there is power to the iron.

IF YOU LEAVE THE IRON:

- in a horizontal position without moving it, or accidentally tip the iron over, it will automatically stop heating after 30 seconds. The Power Indicator will blink to let you know that the iron has stopped heating.
- in a vertical position (on its heel rest) without moving it, the iron will automatically turn off after 15 minutes. The Power Indicator will blink to let you know that the iron has stopped heating.

IMPORTANT: The Power Indicator will continue to blink until the iron is unplugged or reset.

TO RESET THE IRON: Move the iron back and forth and allow it to reheat for 2 minutes. The indicator will stop blinking and the iron will start heating again.

WARNING: Motion Smart Auto-Off is a safety feature, not a recommended means for turning your iron off. See “Caring for Your Iron After Use” for information on turning off your iron and storing it safely between use.

CARING FOR YOUR IRON AFTER USE

TURNING OFF YOUR IRON: Turn the Steam Dial to ☼ (Dry) and Fabric Select Dial to MIN and unplug the iron from the power source.

WARNING: NEVER yank the power cord when unplugging the iron. This can

damage the cord.

STORING YOUR IRON

1. Turn off iron following instructions above. Allow the iron to cool.
2. If you do not use your iron on a daily basis, empty the water reservoir after each use for a longer iron life. To do so, unplug the iron, turn the iron upside down, open the fill hole cover, and allow water to flow from the fill hole. Shake the iron gently to remove trapped water drops.
3. Loosely loop the power cord around the heel rest and store the iron on its heel rest.

IMPORTANT: Wrapping the cord around the iron too tightly can damage the cord.

MAINTAINING YOUR CLASSIC IRON

CLEANING THE SOLEPLATE: turn off iron following instructions above. Clean the soleplate if starch or other residue accumulate.

TO CLEAN THE SOLEPLATE: allow the iron to cool and then wipe it with a soft, damp cloth.

WARNING: DO NOT use abrasive cleansers, scouring pads or vinegar to clean the soleplate. This will damage the finish. Run the iron over an all-cotton cloth to remove any residue.

USING THE SELF-CLEANING FEATURE: You should use the Self-Cleaning feature once a month to maintain the optimal performance of your iron.

TO USE THE SELF-CLEANING FEATURE:

Turn off iron following instructions above.

1. Fill the water reservoir with tap water to the MAX line.
2. Plug in the iron, set the Fabric Select Dial to Linen and allow the iron to heat for 2 minutes.
3. Unplug the iron.
4. Hold the iron over a sink in a horizontal position.

WARNING: Be careful not to touch the iron's hot surfaces.

5. Press the Self-clean Button and hold. Water will begin dripping from the steam vents. Slowly rock the iron side to side and front to back for 30 seconds. When rocking the iron, dip the nose of the iron slightly below the rear of the iron to make certain the water circulates completely. Release the Self-clean Button after one minute.
6. Open the fill cap, turn the iron upside down, and allow the remaining water to flow out of the fill hole.
7. Dry the soleplate with a towel.
8. Plug in the iron and set the Fabric Select Dial to Linen. Let the iron heat for 2 minutes to dry out the iron completely.
9. Set the Fabric Select Dial to MIN, unplug the iron, and allow it to cool.

1 Year Limited Warranty

Sunbeam Products, Inc. doing business as Jarden Consumer Solutions or if in Canada, Sunbeam Corporation (Canada) Limited doing business as Jarden Consumer Solutions (collectively "JCS") warrants that for a period of one year from the date of purchase, this product will be free from defects in material and workmanship. JCS, at its option, will repair or replace this product or any component of the product found to be defective during the warranty period. Replacement will be made with a new or remanufactured product or component. If the product is no longer available, replacement may be made with a similar product of equal or greater value. This is your exclusive warranty. Do NOT attempt to repair or adjust any electrical or mechanical functions on this product. Doing so will void this warranty.

This warranty is valid for the original retail purchaser from the date of initial retail purchase and is not transferable. Keep the original sales receipt. Proof of purchase is required to obtain warranty performance. JCS dealers, service centers, or retail stores selling JCS products do not have the right to alter, modify or any way change the terms and conditions of this warranty.

This warranty does not cover normal wear of parts or damage resulting from any of the following: negligent use or misuse of the product, use on improper voltage or current, use contrary to the operating instructions, disassembly, repair or alteration by anyone other than JCS or an authorized JCS service center. Further, the warranty does not cover: Acts of God, such as fire, flood, hurricanes and tornadoes.

What are the limits on JCS's Liability?

JCS shall not be liable for any incidental or consequential damages caused by the breach of any express, implied or statutory warranty or condition.

Except to the extent prohibited by applicable law, any implied warranty or condition of merchantability or fitness for a particular purpose is limited in duration to the duration of the above warranty.

JCS disclaims all other warranties, conditions or representations, express, implied, statutory or otherwise.

JCS shall not be liable for any damages of any kind resulting from the purchase, use or misuse of, or inability to use the product including incidental, special, consequential or similar damages or loss of profits, or for any breach of contract, fundamental or otherwise, or for any claim brought against purchaser by any other party.

Some provinces, states or jurisdictions do not allow the exclusion or limitation of incidental or consequential damages or limitations on how long an implied warranty lasts, so the above limitations or exclusion may not apply to you.

This warranty gives you specific legal rights, and you may also have other rights that vary from province to province, state to state or jurisdiction to jurisdiction.

How to Obtain Warranty Service

In the U.S.A. –

If you have any question regarding this warranty or would like to obtain warranty service, please call 1.800.458.8407 and a convenient service center address will be provided to you.

In Canada –

If you have any question regarding this warranty or would like to obtain warranty service, please call 1.800.667.8623 and a convenient service center address will be provided to you.

In the U.S.A., this warranty is offered by Sunbeam Products, Inc. doing business as Jarden Consumer Solutions located in Boca Raton, Florida 33431. In Canada, this warranty is offered by Sunbeam Corporation (Canada) Limited doing business as Jarden Consumer Solutions, located at 20 B Hereford Street, Brampton, Ontario L6Y 0M1. If you have any other problem or claim in connection with this product, please write our Consumer Service Department.

PLEASE DO NOT RETURN THIS PRODUCT TO ANY OF THESE ADDRESSES OR TO THE PLACE OF PURCHASE.



For product questions:
Sunbeam Consumer Service
USA: 1.800.458.8407
Canada: 1.800.667.8623
www.sunbeam.ca

©2012 Sunbeam Products, Inc. doing business as Jarden Consumer Solutions. All rights reserved.
Imported and distributed by Sunbeam Corporation (Canada) Limited, doing business as Jarden
Consumer Solutions, 20 B Hereford Street, Brampton, Ontario L6Y 0M1.

Pour les questions de produit:
Sunbeam Consumer Service
Canada : 1 800 667-8623
États-Unis : 1-800-458-8407
www.sunbeam.ca

©2012 Sunbeam Products, Inc. faisant affaire sous le nom de Jarden Consumer Solutions.
Tous droits réservés. Importé et distribué par Sunbeam Corporation (Canada)
Limited faisant affaire sous le nom de Jarden Consumer Solutions, 20 B Hereford Street,
Brampton (Ontario) L6Y 0M1.