

---

## 6000 SERIES FINGERPRINT LOCK USER MANUAL



### TECHNICAL SPECIFICATION

Working voltage: 6V DC

Low voltage warning: 5.1V

Dynamic consumption: <200 mA

Static consumption: <10 uA

Working temperature: -15C°~55C°

Working humidity: 0%~99%

User capacity: 50 users ( can 120 users customizable )

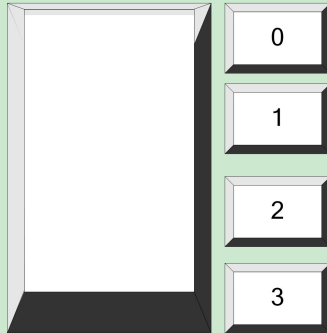
Access mode: 3

Password digital: 10 digital

---

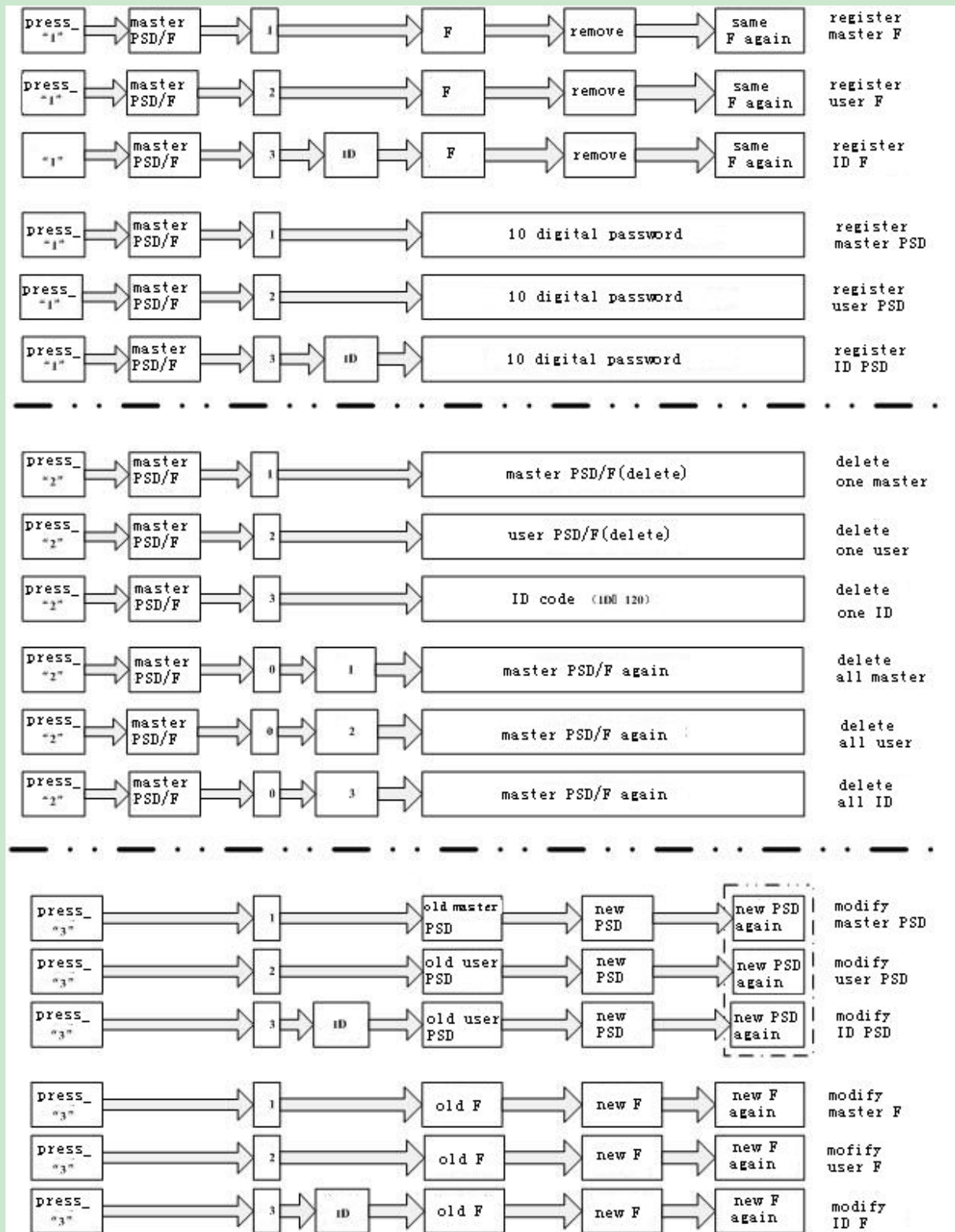
# OPERATION INDEX

## 1. Keypad function



- a) "0" — run to work
- b) "1" — register
- c) "2" — delete
- d) "3" — modify

## 2. Operation diagram



(Remarks: press\_ : press last for several seconds; PSD: password; F: fingerprint)

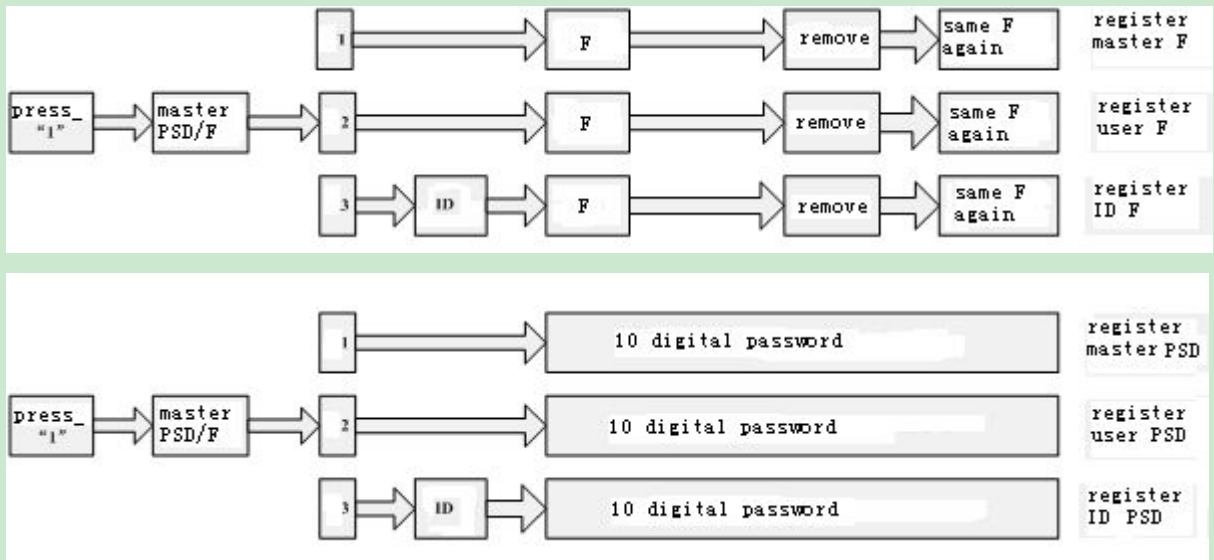
# OPERATION INSTRUCTION

## 1. Initialization



- 1) Press **【0】**, **【3】** at same time last for 3seconds.
- 2) When hear beeps with blue light flash, press deadbolt button last for 3seconds.
- 3) Hear one beep and release deadbolt button. Then hear one short and long beep means initialization successfully.

## 2. Register fingerprint/password



### 2.1 Register master fingerprint

- 1) Press **【1】** last for 3seconds.
- 2) Hear long and short beep press the master password(the original password is **111111111(10pcs of 1)**) or place the master fingerprint.
- 3) Verify master password/fingerprint succeed with one beep along with green light flash.
- 4) When blue light flash press **【1】**, hear one beep, place the fingerprint. Later one long beep means first time register fingerprint successfully then remove fingerprint.
- 5) One beep, place the same fingerprint again. Hear one short and long beep means register master fingerprint successfully.
- 6) In steps, if 4 short beeps means fail, please try again.

When you have been registered the master fingerprint, the original password (111111111) is will lose efficacy at the same time.

---

## 2.2 Register user fingerprint

- 1) Press **【1】** last for 3seconds.
- 2) Hear long and short beep press the master password or place the master fingerprint.
- 3) Verify master password/fingerprint succeed with one beep along with blue light flash.
- 4) When blue light flash press**【2】**, hear one beep, place the fingerprint. Later one long beep means first time register fingerprint successfully then remove fingerprint
- 5) One beep, place the same fingerprint again. Hear one short and long beep means register master fingerprint successfully.
- 6) In steps, if 4 short beeps means fail, please try again.

**Tips:**

Must register master fingerprint first then register user fingerprint. If register user fingerprint in advance the operation will fail.

## 2.3 Register ID fingerprint

- 1) Press **【1】** last for 3seconds.
- 2) After one long and short beep release keypad and press master password or place the master fingerprint.
- 3) Verify master password/fingerprint succeed with one beep along with blue light flash.
- 4) When blue light flash press**【3】**, press 4 digital ID code. When long beep along with blue light flash, place fingerprint, after twos beeps then remove.
- 5) One beep along with green light flash, place the same fingerprint again. Hear one long beep means register ID fingerprint successfully.
- 6) In steps, if 3 short beeps means fail, please repeat steps 4 and 5 again.

**Tips:**

1. ID code please refer ID code attachment.
2. If the ID has registered, the operation will fail, please change another ID or delete this ID first then register again.

## 2.4 Register master password

- 1) Press **【1】** last for 3seconds
- 2) Hear one long and short beep press the master password or place the master fingerprint.
- 3) Verify master password/fingerprint succeed with one beep along with blue light flash.
- 4) When blue light flash press **【1】** , hear one long beep and press 10 digital password.

## 2.5 Register user password

- 1) Press **【2】** last for 3seconds.
- 2) Hear one long and short beep press the master password or place the master fingerprint.
- 3) Verify master password/fingerprint succeed with one beep along with blue light flash.
- 4) When blue light flash press **【2】** , hear one long beep and press 10 digital password.

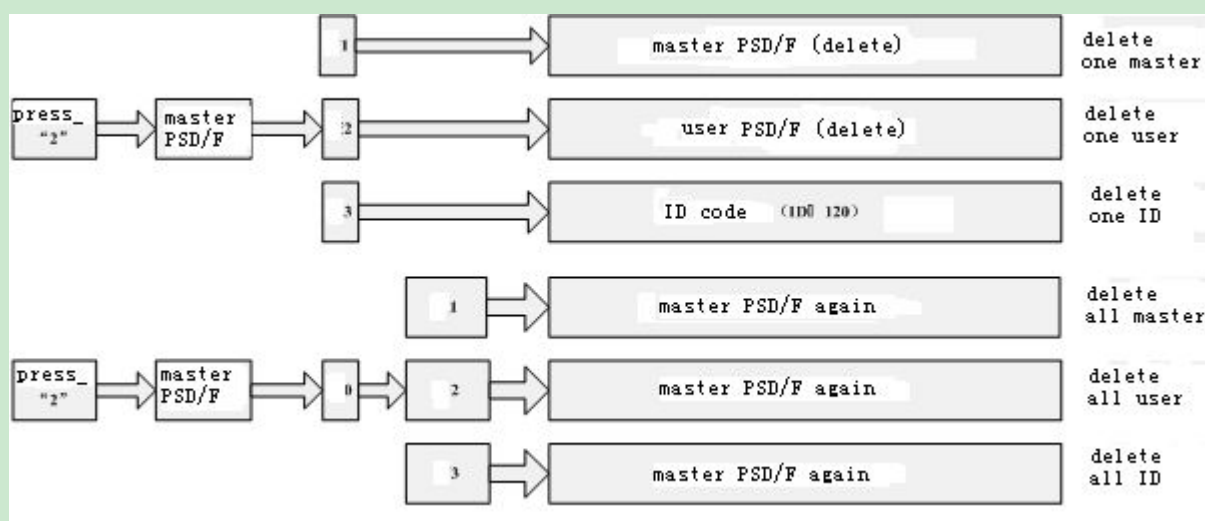
## 2.6 Register ID password

- 1) Press **【2】** and **【1】** last for 3seconds.
- 2) After one long beep release keypad and press master password/fingerprint.
- 3) Verify master password/fingerprint succeed with one beep along with blue light flash. When blue light flash press **【3】** and 4 digital ID code.
- 4) One long beep, press 10 digital password.
- 5) One long beep means register ID password successfully.
- 6) In steps, if 3 short beeps means fail, please try again.

### Tips:

1. ID code please refer ID code attachment.
2. If the ID has registered, the operation will fail, please change another ID or delete this ID first then register again.

## 3. Delete information



### 3.1 Delete one master

- 1) Press **【2】** last for 3seconds.

- 
- 2) Hear one long and three short beeps release keypad and press the master password or place master fingerprint.
  - 3) Verify master password/fingerprint succeed with one beep along with green light flash.
  - 4) When the green light flash press **【1】**, then press the master password/fingerprint you want to delete.
  - 5) Hear one short and long beep means delete this master successfully.

Tips:

After delete the master, when green light flash, can delete other master without step1 and step2 but start from step 4 directly.

### 3.2 Delete one user

- 1) Press **【2】** last for 3seconds.
- 2) Hear one long and 3 short beeps release keypad and press the master password or place master fingerprint.
- 3) Verify master password/fingerprint succeed with one beep along with green light flash.
- 4) When the green light flash press **【2】**, then press the user password/fingerprint you want to delete.
- 5) Hear one short and long beep means delete this user successfully.

Tips:

After delete the master, when green light flash, can delete other user without step1 and step2 but start from step 4 directly.

### 3.3 Delete one ID

- 1) Press **【2】** last for 3seconds.
- 2) Hear one long beep and 3 short beeps, press the master password or place master fingerprint.
- 3) Verify master password/fingerprint succeed with one beep along with green light flash.
- 4) When the green light flash press **【3】**, then press ID code.
- 5) Hear one short and long beep means delete this ID successfully.

Tips:

After delete the master, when green light flash, can delete other ID without step1 and step2 but start from step 4 directly.

### 3.4 Delete all master

- 1) Press **【2】** last for 3seconds.
- 2) Hear one long beep and 3 short beeps, release keypad and press the master password or place master fingerprint.

- 3) Verify master password/fingerprint succeed with one beep along with blue light flash.
- 4) When the blue light flash press **【0】** , then **【1】** .
- 5) Hear up and down alternative short beep, press master password or place fingerprint again.
- 6) Hear one short and long beep means delete all master successfully.

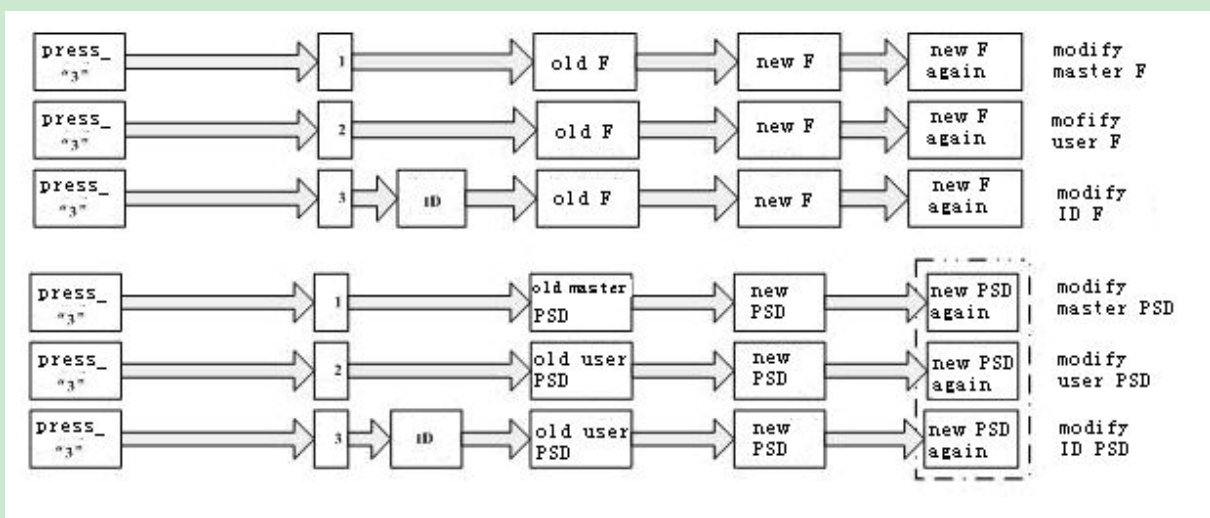
### 3.5 Delete all user

- 1) Press **【2】** last for 3seconds.
- 2) Hear one long beep and 3 short beeps, release keypad and press the master password or place master fingerprint.
- 3) Verify master password/fingerprint succeed with one beep along with green light flash.
- 4) When the green light flash press **【0】** , then **【2】** .
- 5) Hear up and down alternative short beep, press master password or place fingerprint again.
- 6) Hear one short and long beep means delete all user successfully.

### 3.6 Delete all ID

- 1) Press **【2】** last for 3seconds.
- 2) Hear one long beep and 3 short beeps, release keypad and press the master password or place master fingerprint.
- 3) Verify master password/fingerprint succeed with one beep along with green light flash.
- 4) When the green light flash press **【0】** , then **【3】** .
- 5) Hear up and down alternative short beep, press master password or place fingerprint again.
- 6) Hear one short and long beep means delete all ID successfully.

## 4. Modify information



### 4.1 Modify master fingerprint

- 1) Press **【3】** last for 3seconds. Hear one beep and green light flash, press **【1】** , then place master



---

fingerprint.

- 2) Verify master fingerprint succeed with one beep. Place new fingerprint, hear one long beep then remove.
- 3) Hear one beep and green light flash then place same new fingerprint again, verify it and show modify master fingerprint successfully.

#### 4.2 Modify user fingerprint

- 1) Press **【3】** last for 3seconds. Hear one beep and green light flash, press **【2】** , then place user fingerprint.
- 2) Verify user fingerprint succeed with one beep. Place new fingerprint, hear one long beep then remove.
- 3) Hear one beep and green light flash then place same new fingerprint again, verify it and show modify user fingerprint successfully.

#### 4.3 Modify ID fingerprint

- 1) Press **【3】** last for 3seconds. Hear one beep and green light flash, press **【3】** , then press ID code.
- 2) Place the fingerprint you want to modify.
- 3) Verify user fingerprint succeed with one beep. Place new fingerprint, hear one long beep then remove.
- 4) Hear one beep and green light flash then place same new fingerprint again, verify it and show modify ID fingerprint successfully.

#### 4.4 Modify master password

- 1) Press **【3】** last for 3seconds. Hear one beep and green light flash, press **【1】** , then press old master password.
- 2) Verify old password succeed with one beep. Then press 10digital new password.
- 3) Hear one beep, press same 10digital new password again.
- 4) One long beep to verify modify password successfully.

Tips:

1. If insert wrong number when press password , can press **【1】** last for 3seconds to delete the password what you have pressed.
2. If two times new password different can not modify the old password.

#### 4.5 Modify user password

- 1) Press **【3】** last for 3seconds. Hear one beep and green light flash, press **【2】** , then press old password.
- 2) Verify old password succeed with one beep. Then press 10digital new password.
- 3) Hear one beep, press same 10digital new password again.

- 
- 4) One long beep to verify modify password successfully.

Tips:

1. Search default password automatically, find the same password and modify it. Each time can modify one group.
2. Press wrong password should wait seconds, when LED light stop then continues. Also can press **【3】** last for 3seconds then can modify password again.
3. Two times new password must be same.

#### 4.6 Modify ID password

- 1) Press **【3】** last for 3seconds. Hear one beep and green light flash, press **【3】**, then press 3digital ID code and old password.
- 2) Verify old password succeed with one beep. Then press 10digital new password.
- 3) Hear one beep, press same 10digital new password again.
- 4) One long beep to verify modify password successfully.

Tips:

1. Search default password automatically, find the same password and modify it. Each time can modify one group.
2. Press wrong password should wait seconds, when LED light stop then continues. Also can press **【3】** last for 3seconds then can modify password again.
3. Two times new password must be same.

## 5. Access mode

### 5.1 Unlock by fingerprint access mode

- 1) Place registered fingerprint on the screen.
- 2) Green light flash, verify fingerprint to gain permission, succeed with one beep.
- 3) Turn handle then push door.

Tips:

If without LED flash after place fingerprint please press **【0】**. After green light flash then place fingerprint and continues.

### 5.2 Unlock by password access mode

- 1) Press 10digital registered password

- 
- 2) After one beep, turn handle then push door.

Tips:

1. Password must 10 digital.
2. Press wrong password should wait seconds, when LED light stop then continues. Also can press **【1】** last for 3seconds then press password again.
3. If press wrong password 6times continuously, the lock refuse to work for 3 minutes.

### 5.3 Always unlocked access mode

- 1) Unlock by fingerprint or password.
- 2) After one beep, press **【0】** last more then 3seconds, hear two beeps and green light flash then release keypad.

### 5.4 Release always unlocked access mode

Unlock the door normally, without press **【0】** , 3seconds later will lock automatically.

### 5.5 Deadbolt

Press the deadbolt button on back panel, red light flash more than 10times means the lock be deadbolt.

### 5.6 Release deadbolt

- 1) When it deadbolt, press the deadbolt button, blue light flash 6times means release deadbolt.
- 2) Turn down handle, blue light flash 6times means release deadbolt.
- 3) Press **【0】** last for 3seconds.

### 5.7 Lock the door

Press **【0】** and **【1】** last for 3seconds.

## ID CODE

This model use 4digital ID code. If 120 users for customizable, we assume as 1~120, so the ID code as below.

| User No | ID Code | User No | ID Code | User No | ID Code | User No | ID Code |
|---------|---------|---------|---------|---------|---------|---------|---------|
| 1       | 0000    | 31      | 0132    | 61      | 0330    | 91      | 1122    |
| 2       | 0001    | 32      | 0133    | 62      | 0331    | 92      | 1123    |
| 3       | 0002    | 33      | 0200    | 63      | 0332    | 93      | 1130    |
| 4       | 0003    | 34      | 0201    | 64      | 0333    | 94      | 1131    |
| 5       | 0010    | 35      | 0202    | 65      | 1000    | 95      | 1132    |
| 6       | 0011    | 36      | 0203    | 66      | 1001    | 96      | 1133    |
| 7       | 0012    | 37      | 0210    | 67      | 1002    | 97      | 1200    |
| 8       | 0013    | 38      | 0211    | 68      | 1003    | 98      | 1201    |
| 9       | 0020    | 39      | 0212    | 69      | 1010    | 99      | 1202    |
| 10      | 0021    | 40      | 0213    | 70      | 1011    | 100     | 1203    |
| 11      | 0022    | 41      | 0220    | 71      | 1012    | 101     | 1210    |
| 12      | 0023    | 42      | 0221    | 72      | 1013    | 102     | 1211    |
| 13      | 0030    | 43      | 0222    | 73      | 1020    | 103     | 1212    |
| 14      | 0031    | 44      | 0223    | 74      | 1021    | 104     | 1213    |
| 15      | 0032    | 45      | 0230    | 75      | 1022    | 105     | 1220    |
| 16      | 0033    | 46      | 0231    | 76      | 1023    | 106     | 1221    |
| 17      | 0100    | 47      | 0232    | 77      | 1030    | 107     | 1222    |
| 18      | 0101    | 48      | 0233    | 78      | 1031    | 108     | 1223    |
| 19      | 0102    | 49      | 0300    | 79      | 1032    | 109     | 1230    |
| 20      | 0103    | 50      | 0301    | 80      | 1033    | 110     | 1231    |
| 21      | 0110    | 51      | 0302    | 81      | 1100    | 111     | 1232    |
| 22      | 0111    | 52      | 0303    | 82      | 1101    | 112     | 1233    |
| 23      | 0112    | 53      | 0310    | 83      | 1102    | 113     | 1300    |
| 24      | 0113    | 54      | 0311    | 84      | 1103    | 114     | 1301    |
| 25      | 0120    | 55      | 0312    | 85      | 1110    | 115     | 1302    |
| 26      | 0121    | 56      | 0313    | 86      | 1111    | 116     | 1303    |
| 27      | 0122    | 57      | 0320    | 87      | 1112    | 117     | 1310    |
| 28      | 0123    | 58      | 0321    | 88      | 1113    | 118     | 1311    |
| 29      | 0130    | 59      | 0322    | 89      | 1120    | 119     | 1312    |
| 30      | 0131    | 60      | 0323    | 90      | 1121    | 120     | 1313    |