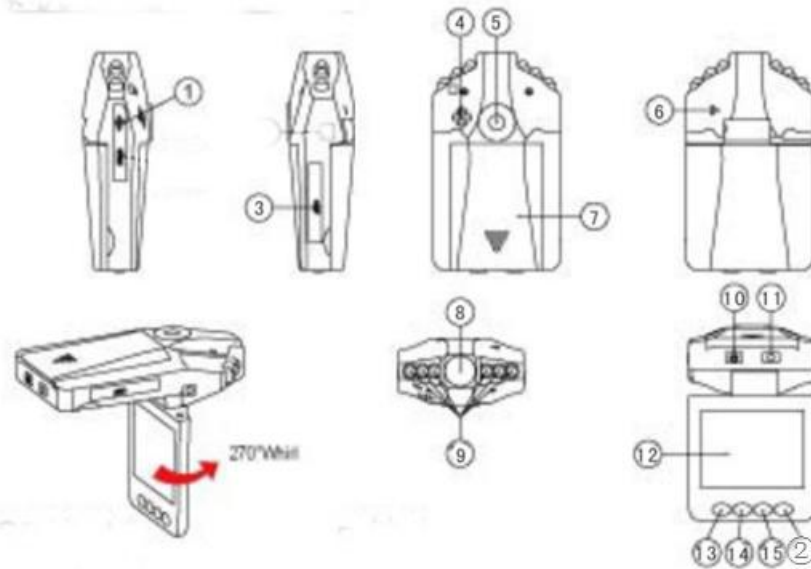


# High Definition Car DVR User Manual

## Product Structure Sketch Map



- |                |                     |                      |                   |
|----------------|---------------------|----------------------|-------------------|
| 1.USB          | 2.Mode Key          | 3.SD card slot       | 4.loudspeaker     |
| 5.Bracket hole | 6.MIC               | 7.Battery cover      | 8.lens            |
| 9.IR LED       | 10.Power Switch Key | 11.Record/Camera Key | 12.Display Screen |
| 13.Menu Key    | 14. Down Key        | 15. Up Key           |                   |

## Menu Function setting

### 1.USB

USB data port ①connecting to PC transmit data; ② charging

### 2. Mode Key

Function switch key: can switch to following mode in standby status

① Video mode ② Camera mode ③ Record mode .④ Video display

mode.

3.SD card slot

4. Loudspeaker

Play voiced video or audio file

5.Bracket Hole

Connecting vehicle racking mounting fixed screws hole;

6.MIC

Video or audio file reception port;

7. Power Key

ON/OFF key:①device turn on /off; ②charging indicator light; ③ IR

LED on/off;

11. Record/Camera Key

①Camera mod: short press to record, short press again to stop; ②

photograph Mode: short press key; ③ default “OK” key under

menu mode;

12.Display screen

2.4 inch colorful LCD

13. Menu Key

Short press key to call out setup menu; continuously short press key

to switch between different setup;

14. Down key


Choose down key under menu;


15. Up key

Choose up key under menu;

## **Video/Photographing operation**

### 1. ON/OFF

Long press  power key to turn on, red indicator will light on once power on;

Again long press  power key to turn off, red light light off ;

Note: DVR will remind low battery, will turn off automatically.

### 2. Video recording mode

Short press “Menu” key switch to video recording mode, screen left upper corner show video icon;

Short press “video/camera” key to start recording, video icon and video light will blinking means video working;

### 3. Photographing

Short press “Menu” key switch to photograph mode, screen left upper corner show photograph icon;

Short press “video/camera” key to take picture, screen flick one time means finish photograph.

### 4. Replay video/pictures

Short press “Menu” key switch back to replay mode, screen left upper corner show replay icon;

Short press “Up” key to choose upward file;

Short press “Down” key to choose downward file;

Short press “Record/Camera” key to choose video file;

### 5. Menu setup

Short press “Menu” key to call out setup menu;

Can choose settings by short press “Up” and “Down” key.

short press “record/camera” to confirm;

### 6. Exist setup menu

Short press “menu” to exist setup status

### 7. Time setting

Continuously short press “menu” enter setup option, short press “Down”

key to choose date, short press “record/camera” key to enter, short press

“record/camera” to switch between

year/month/date/hour/minutes/second, short press “Up” and “Down” to

change value, press “record/camera” to confirm.

### **USB Mode**

Connecting USB cable to PC, DVR can save and copy file under this mode.

### **Battery using instructions**

Three method for charging, red indicator will light on when charging, around 180 minutes will finish charging lights off.

- ①: Using wall charger
- ②: Using USB cable
- ③: Using car charger

Note: Due to improper operation caused device problem, can take battery or press reset key and power on again to recover back.

### **Specification**

Image sensor	0.3M pixels CMOS
Display	2.4 inch TFT LCD
Angle	100 degree lens
Camera	IR camera
Storage	Mini SD card, 32GB Max
Picture format	JPG
Language	English/Russian/German/Spanish/Japanese
Video format	JPEG 30FPS
Video resolution	720P:1280x720    VGA: 640x480
USB interface	USB 2.0
Charging time	180 minutes
Battery capacity	640mAh
Charging Voltage	DC-5V
System supported	Windows me/2000/2003/XP/vista/Win7;Mac os;linux
Time	Year/month/date