



XLED 2007 BEAM

PR-8123

This product manual contains important information about the safe installation and use of this product. Please read and follow these instructions carefully before installing and using the product and keep this manual in a safe place for future reference.

PR LIGHTING LTD.
<http://www.pr-lighting.com>

INDEX

SAFETY INFORMATION AND WARNINGS	3
PRODUCT INSTALLATION	4
POWER SUPPLY CONNECTION	5
DMX CONTROL CONNECTION	5
DMX TERMINATOR	6
PRODUCT FUNCTION SETUP	6
DMX START ADDRESS SETUP	6
STAND-ALONE MODE	7
MASTER/SLAVE MODE	7
SOUND OPERATION.....	7
OPERATION MENU	8
DMX PROTOCOL	10
DISPLAY INFORMATION	11
MAINTENANCE	11
PRODUCT CLEANING	12
TROUBLESHOOTING	12
TECHNICAL DATA	12
COMPONENT ORDER CODES	14
CIRCUIT DIAGRAM	15

Every ex-company fixture is tested completely and packed properly by the manufacturer. The use explanations and warnings in this manual must be strictly followed .Any damage caused by improper use will not be covered by the manufacturer and / or dealer.

If any technical data changes, further notice won't be offered .

ACCESSORIES

These items are packed together with the product, please check them:

Name	Quantity	Unit	Remark
XLR signal connector	1	SET	Without cable
Safety cord	1	PCS	
This manual	1	PCS	
G clamp	1	SET	Standard
Ω clamp	1	SET	Optional
Wireless receiver	1	SET	Optional
Frost Panel	1	PCS	Optional

SAFETY INFORMATION AND WARNINGS

After receiving product, please unpack and check if there are any damages caused by transportation. Do not use the fixture if transportation damages occur and contact the manufacturer or the dealer as soon as possible.

The product is only for indoor use, IP20. Use only in dry locations. Keep this device away from rain and moisture, excessive heat, humidity and dust. Do not allow its contact with water or any other liquids .

The unit is only intended for installation, operation and maintenance by qualified personnel.

The product must be installed in a location with good ventilation, at least 50cm from adjacent wall surfaces. Be sure that no fans and ventilation slots are blocked.

Do not project the beam onto inflammable surfaces, minimum distance is 1.3m. ⚠ 1.3m ⚠

Avoid looking into the light from the fixture directly (especially to **Epileptic Patients**). The light is harmful to the eye.

Do not attempt to dismantle and/or modify the product in any way.

Electrical connection must only be carried out by qualified personnel.

Before installation, ensure that the voltage and frequency of power supply match the power requirements of the fixture .

It is essential that each fixture is correctly earthed and that electrical installation conforms to all relevant standards.

Do not connect this device to any other types of dimmer apparatus.

Make sure that the power-cord is never crimped or damaged by sharp edges. Never let the power-cord come into contact with other cables. If the fixture is not in use or before it being cleaned, please hold the plug and unplug the power cord . Never pull out the plug by tugging the power-cord.

The fixture should always be installed with a secondary safety fixing. A safety cord is supplied for this; it should be attached as shown in “installing the unit” section. At the back cover of the base, there is a safety hole for the safety cord, for safety installation, please run the safety cord supplied with the fixture through the safety hole to support the safe installation.

Shields and lens shall be changed if they have become visibly damaged to such an extent than their effectiveness is impaired, for example by cracks or deep scratches.



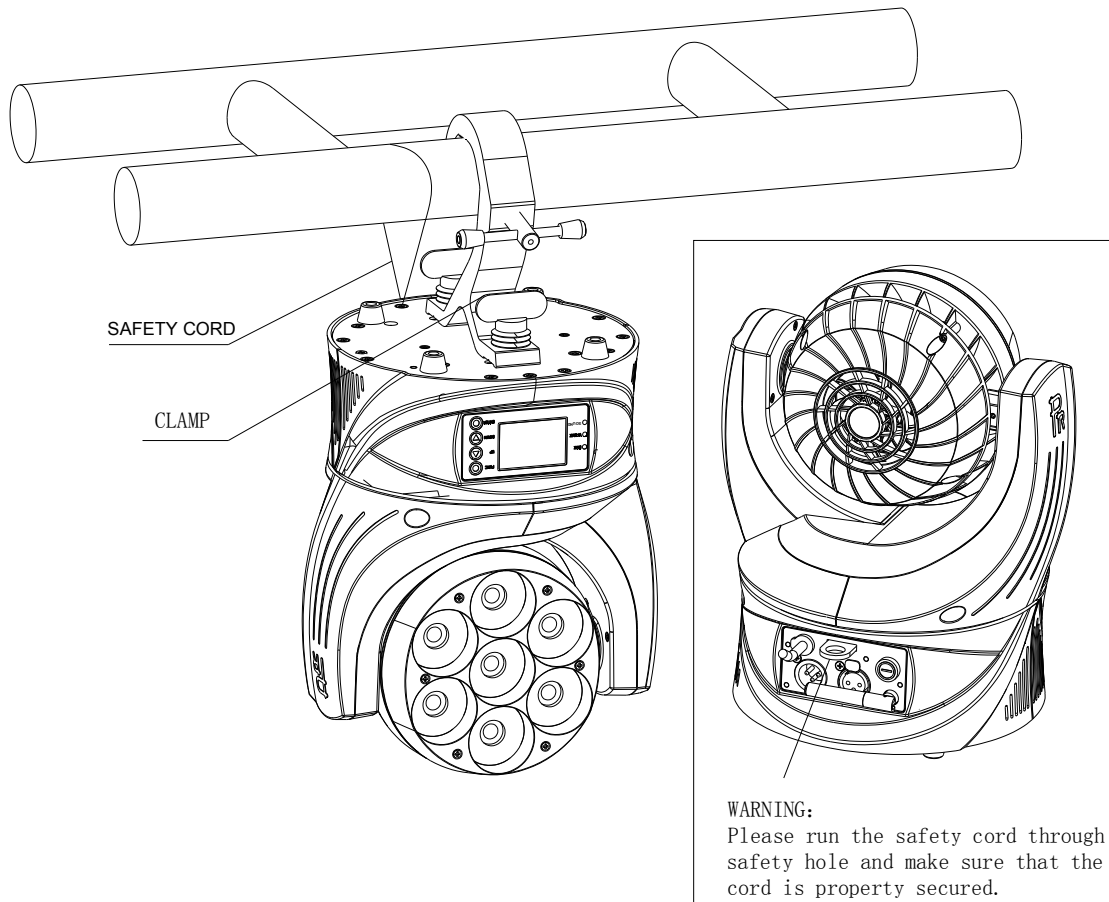
Exterior surface temperatures of the luminaire after 5 minutes operation is 45°C, when steady, it achieves 50°C,

There is no user repairable parts inside the fixture, do not open the housing and never operate the unit with the covers removed. Before the use of the fixture, please check if the covers are fixed well and all screws are fastened.

If any questions, don't hesitate to consult your dealer or the manufacturer.

Important: Always disconnect from Power Supply, when the device is not in use or before cleaning or any maintenance work!

PRODUCT INSTALLATION



Take 1 clamp and 1 the safety cord out from the package and mount 1 clamp on the **BOTTOM** of fixture with 2 retainers attached to the clamp. Hang the fixture on the steel truss and fasten the retainers attached to the clamp. Always ensure that the location that you are going to mount the unit is secure and is strong enough to support the weight of the unit (See the **WARNING** as shown above) **To pass SAFETY CORD through the SAFETY HOLE on the back cover of the base of the fixture for safety!** Always ensure that the unit is firmly anchored to avoid vibration and slipping whilst functioning.

WARNING:

1. The unit **MUST** be lifted or carried by the **HANDLES** instead of clamps.
2. For safety the safety cord should bear **10 times** of the unit's weight.

POWER SUPPLY CONNECTIONS

Connect the power cord as follows:

- L (live) =brown
- E (earth) =yellow/green
- N (neutral) =blue

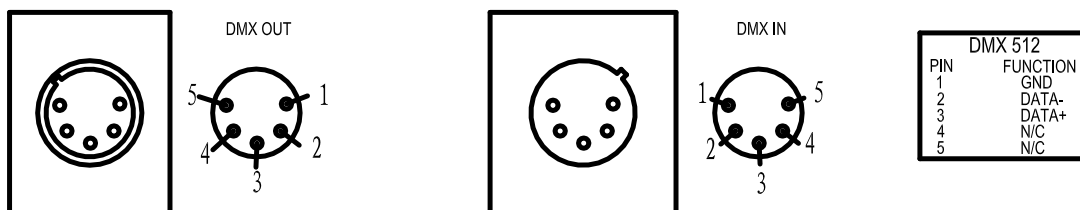
Please be advised to notice power supply's voltage and frequency meet what are described on the nameplate of the product. It is recommended that each unit be power connected separately so that they may be individually switched on and off.

IMPORTANT

It is essential that each unit(yellow/green twin wire) is correctly earthed and the electrical installation conforms to all relevant standards.

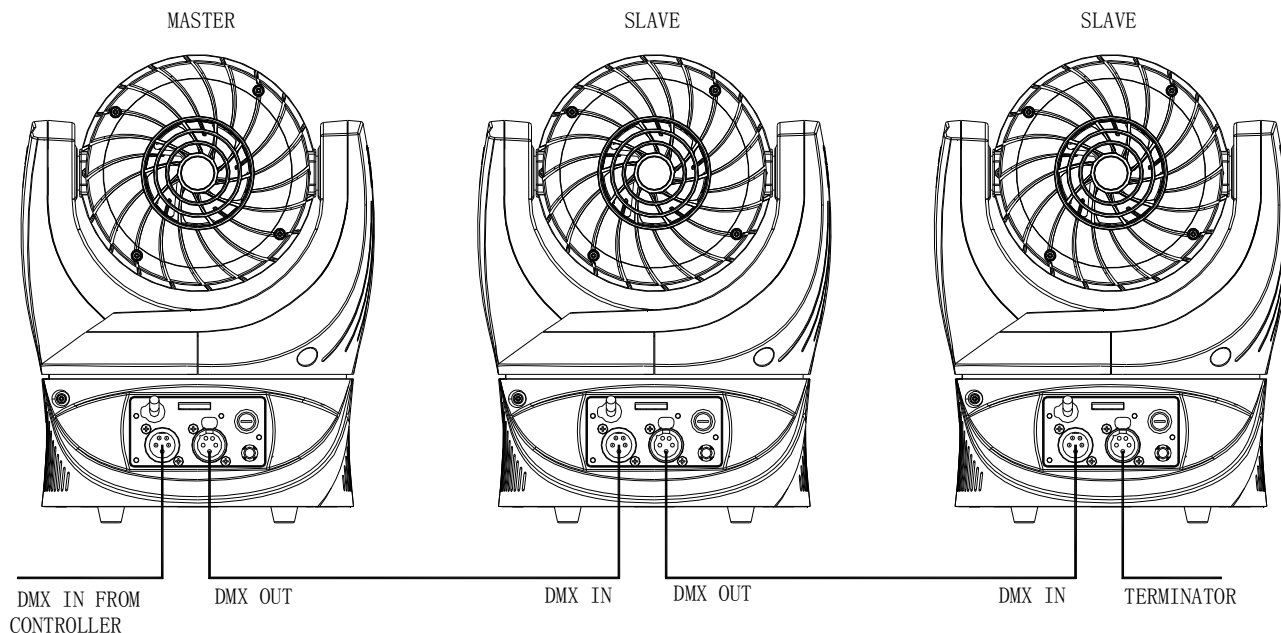
DMX CONTROL CONNECTION

5-PIN



Connection between controller and unit and between one unit and another must be made with a 2 core-screened cable, with each core having at least a 0.5mm diameter. Connection to the DMX512 input and output ports of the unit is via 5 pin XLR plugs and sockets(which are included with the unit). The XLR's plugs and sockets are connected with wires as shown in the figure above. Note: care should be taken to ensure that none of the pins touch the metallic body of the plug or each other. XLR's plug and socket must not be connected with XLR control wire in any way other than shown as above. The fixture accepts digital control signals in protocol DMX512 (1990).

Connect the controller's output to the first fixture's input, and connect the first fixture's output to the second fixture's input and connect the rest fixtures in the same way. Eventually connect the last fixture's output to a DMX terminator as shown in the figure below.



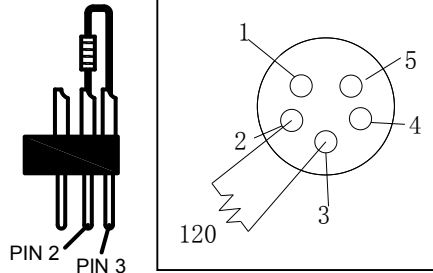
DMX TERMINATOR

In the Controller mode, at the last fixture in the chain, the DMX output has to be connected with a DMX terminator. This prevents electrical noise from disturbing and corrupting the DMX512 control signals.

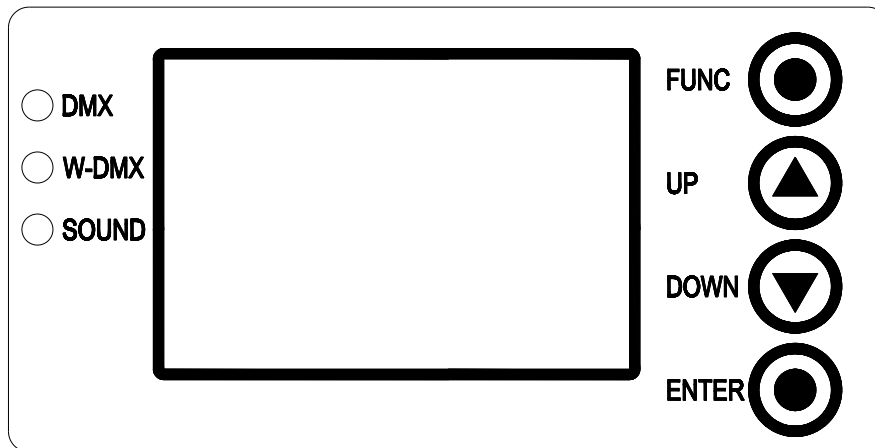
The DMX terminator is simply a Canon connector with a 120Ω (ohm) resistor connected across pins 2 and 3, which is then plugged into the output socket on the last fixture in the chain. The connections are illustrated below.

DMX TERMINATOR CONNECTION

Connect a 120Ω(OHM) resistor across pins 2 and 3 in an XLR plug and insert into the DMX out socket on the last unit in the chain.



PRODUCT FUNCTION SETUP



Fixture's address and function code configuration can be set conveniently via Touch Key and LCD display. Press button **ENTER** more than 3 seconds to unlock panel. LED display shows the fixture's function menu. Each Option of the main menu has its own sub-menu. Each menu stands for specified function of the fixture, please see the details in the following:

Press button **UP** or **DOWN** if you want to set or browse through the various Setup Options.

Press button **ENTER** to save your settings or enter the sub-menus.

Press button **UP** or **DOWN** to change the parameters (increase or decrease the numbers)

Press button **FUNC**, it will return to the upper menu one by one. If the button not pressed, the system will go back to display status automatically.

TO SET THE DMX START ADDRESS

If many fixtures are controlled by the controller, each fixture should be set with a start address to receive signals sent by the controller and respond to it. The fixture have 2 DMX modes. There are standard mode and extended mode, For example standard mode has 17 channels, so set the No. 1 Fixture's address 001, No. 2 Fixture's address 018, No. 3 Fixture's address 035 and so on.

Switch on the Fixture. Press button **ENTER** more than 3 seconds to unlock panel.

Press button **FUNC** to display **DMX address**;

Press button **UP** and **DOWN**, you can set the address;

Press button **ENTER** to confirm; when powered on next time, it will show the latest number you saved.

Press button **FUNC**, it will return to the upper menu one by one.

STAND-ALONE MODE

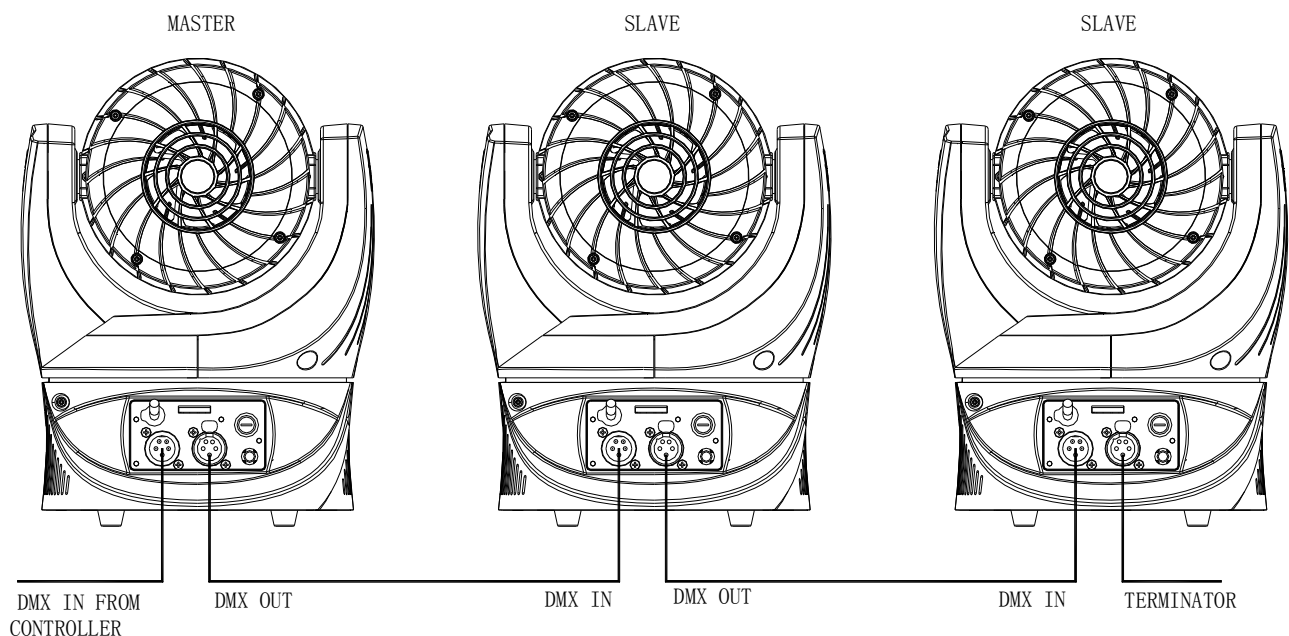
Operate the fixture without connecting a controller, enable the master mode in the operation panel, the fixture will run in Stand-Alone mode automatically.

MASTER/SLAVE MODE

If many fixtures are connected under Master/Slave mode, use XLR-XLR control cable to connect the first fixture's DMX output port with the second fixture's DMX input port, then to connect the second fixture's output port with the third fixture's input port and so on until all the fixtures are connected, the last thing is to plug the terminator at the last fixture's output port. In this case, the first fixture is the master, others are slaves

Set the master's address at 001, Master can be set at any mode(STD mode or extended mode) and slave should be set at same mode as the master's.

After powered on, the group will run under Master/Slave mode.



SOUND OPERATION

To select different level(0-100) of sound sensitivity based on different operating environment under sound operation under Operation Mode. There are several different (0-6) sound effects for different operating environment under Sound Operation.

Note: If several fixtures in series under Master/Slave mode, Only Master respond to external sound.

OPTIONS MENU

Level 1	Level 2	Level 3	Level 4
DMX Address	1~498		
Reset	Are You Sure		
Config Settings 参数设置	DMX Channel Mode (Default is: STd)	Standard 17	
		Extended 30	
	Pan Tilt Swap (Default is OFF)	OFF	
		ON	
	Pan & Tilt Invert (Default is OFF)	OFF	
		ON	
	Pan angle Range (Default is 360)	360	
		720	
	DMX Mode (Default: XLR First)	XLR First	
		XLR Only	
		Wireless Only	
		Wireless First	
		Wireless To XLR	
	Unlink Wireless	YES	
	Master Slave Selec (Default: Slave)	Slave	
		Master	
	Sound Sensitivit	0~100	
	Factory Settings	YES	
	Parameter Transm	YES	
	Display Options	Language	Chinese
English			
Display Mode		Off After Delay	
		On Always	
Display Reverse		OFF	
	ON		
Display Contrast (Default:9)		0~18	
Information	Power On Hours	XXXX Display time	
	Software Version	X.X.X	

Test Mode	Self Test	YES			
	Manual Test	Lamp		OFF	
				Red	
				Green	
				Blue	
				White	
				Red + Green	
				Green + Blue	
				Red + Blue	
				Red + Green + Blue	
				ON	
Pan Location	0-255				
Pan	0-255				
Tilt Location	0-255				
Tilt	0-255				
Pan & Tilt Speed	0-255				
Operation Mode	DMX Operation	YES			
	Sound Operation	0~6			
	Sound Operation	0: All Audio effect 1~6: Single Audio effect			
	Preset Memory	YES			
	User Process	YES			
	Memory Edit	Static Scene 1~16	CH1 Strobe	000 (NO Strobe)	
				001-129(Plus Strobe)	
				130-255(Strobe)	
			CH2 Red	0-255	
			CH3 Green	0-255	
			CH4 Blue	0-255	
			CH5 White	0-255	
			CH6 Pan Location	0-255	
CH7 Pan	0-255				
CH8 Tilt Location	0-255				

			CH9 Tilt	0-255
			CH10 P&T Speed	0-255
			CH11 Holding Time	0.1s~25s

Note:

1. There is only one projector to be set as a Master in a signal cable if Master's functions used, please disable DMX control signal.
2. When multiple projectors' work together in synchronous control state, Parameters can be transmitted from the master projector to the slave projector such as DMX channel mode, Display setting status (Contrast setting exclude) and operation mode (User memory data is include) . Before parameters transmitted, the projector which will send parameters should be set as a Master and others as Slaves.

DMX PROTOCOL

Standard	Extended	Functions	DMX	Descriptions
1	1	Strobe	000	No Strobe
			001-129	Pulse from slow to fast
			130-255	Strobe from slow to fast
2	2	Dimmer	000-255	Linear Dimming from dark to bright
	3	Dimming in 16 bit	000-255	Dimming in 16 bit precision
3	4	Color Temp	000	No
			001-255	Linear color Temp adjustment from low to high
4	5	Animation	000	No
			001-255	Animation effect
5	6	Color Macro	000	No
			001-031	Red
			032-063	Green
			064-095	Blue
			096-127	Red + Green
			128-159	Green + Blue
			160-191	Red + Blue
			192-223	Red + Green + Blue
	224-255	Rainbow effects (Speed from slow to fast between 224 and 255 in DMX value)		
6	7	Area 1 Red	000-255	Linear adjustment in Red from light to dark of Area 1
	8	Area 2 Red	000-255	Linear adjustment in Red from light to dark of Area 2
	9	Area 3 Red	000-255	Linear adjustment in Red from light to dark of Area 3
	10	Area 4 Red	000-255	Linear adjustment in Red from light to dark of Area 4
7	11	Area 1 Green	000-255	Linear adjustment in Green from light to dark of Area 1
	12	Area 2 Green	000-255	Linear adjustment in Green from light to dark of Area 2
	13	Area 3 Green	000-255	Linear adjustment in Green from light to dark of Area 3
	14	Area 4 Green	000-255	Linear adjustment in Green from light to dark of Area 4
8	15	Area 1 Blue	000-255	Linear adjustment in Blue from light to dark of Area 1
	16	Area 2 Blue	000-255	Linear adjustment in Blue from light to dark of Area 2
	17	Area 3 Blue	000-255	Linear adjustment in Blue from light to dark of Area 3
	18	Area 4 Blue	000-255	Linear adjustment in Blue from light to dark of Area 4

9	19	Area 1 White	000-255	Linear adjustment in White from light to dark of Area 1
	20	Area 2 White	000-255	Linear adjustment in White from light to dark of Area 2
	21	Area 3 White	000-255	Linear adjustment in White from light to dark of Area 3
	22	Area 4 White	000-255	Linear adjustment in White from light to dark of Area 4
10	23	Pan	000-255	Pan (0~360°)
11	24	Pan in 16 bit	000-255	Pan in 16 bit precision
12	25	Pan	000-127	Pan Stop
			128-191	Pan Speeds in CCW from slow to fast
			192-255	Pan Speeds in CW from slow to fast
13	26	Tilt	000-255	Tilt(0~270°)
14	27	Tilt in 16 bit	000-255	Tilt in 16 bit precision
15	28	Tilt	000-127	Tilt Stop
			128-191	Tilt Speeds in CCW from slow to fast
			192-255	Tilt Speeds in CW from slow to fast
16	29	Pan & Tilt Speeds	000-255	Pan & Tilt Speeds from fast to slow
17	30	Control function	000-049	Reserved
			050-255	Reset

Remarks: DMX Priority sequence from high to low: Macro, Animation, CT, single color dimming of RGBW, Pan Continuous rotation, Tilt continuous rotation

INDICATION OF LED DIGITAL TUBE

LED Indications:

DMX Indication	ON	DMX Signal OK
	OFF	NO DMX Signal
W-DMX Indication	ON	Wireless DMX Signal available
	OFF	Not linked to any transmitter
	Flash	Lose link with a transmitter or being linked with one
SOUND Indication	ON	Sound Operation on
	OFF	Sound Operation off

Explanations for logo on top-right of the LCD display:

S	Slave
M	Master
D	DMX512 Mode
I	Preset Memory
U	User's Memory
T	Test Memory
Lock Logo	Buttons are Locked, buttons are unlocked and lock logo disappears after "Enter" button pressed more than 3 seconds

MAINTENANCE

If the Fixture does not function, check if the fuses on the power socket of the unit is broken or not, if broken, they should only be replaced by fuses of the same specification. Should there be damaged call a qualified technician before replacement. The fixture has thermal protection device that will switch off the unit in case of overheating. Should any case like this happen, check if the fans work well or fans and fan screens are blocked, restart the fixture before the problems have been found and resolved.

Any maintenance work should only be carried out by qualified technicians.

PRODUCT CLEANING

To ensure the reliability of the fixture it should be kept clean. It is recommended that the fans should be cleaned every 15 days. The lens should also be regularly cleaned to maintain an optimum light output. **Do NOT use any type of solvent containing chemical elements.**

Cleaning intervals depends on the environment in which the fixture operates and use frequency. A soft cloth and typical glass cleaning products should be used in cleaning the fixtures. It is recommended to clean the external optical system at least once every 20 days.

Do not use any organic solvent, e.g. alcohol, to clean the housing of the apparatus to avoid damages

TROUBLE SHOOTING

PROBLEM	ACTION
The fixture can not start	<ul style="list-style-type: none">➤ Check if the fuse on the power socket is broken or not .➤ Check the status of the fuse
The lamp works normal but the fixture doesn't respond to the controller	<ul style="list-style-type: none">➤ Check if the fixture's start address is set properly➤ Check if XLR signal cable is broken or not
The fixture only functions intermittently	<ul style="list-style-type: none">➤ Make sure the fans work normally and if dirt blocks fans and fan screens.
The beam appears dim and brightness decreases apparently	<ul style="list-style-type: none">➤ Check if the lamps reach the end of their lives➤ Check if external and internal optical systems are clean or not.

TECHNICAL DATA

VOLTAGES:

100V~240V AC,50/60Hz

LIGHT SOURCE:

MODEL: OSRAM OSTAR LED: LE RTDUW S2W

POWER: 15W (RGBW ,Four in One)

QUANTITY: 7 Pcs LIFE: 50,000 Hrs

POWER CONSUMPTION:

170W@220V

HEAD MOVEMENT:

Pan: 720°or Endless, Tilt : 270°or Endless

Pan Tilt Swap and Invert Function ; Auto-position correction and magnet positioning function

COLOR SYSTEM:

RGBW linear color mixing with macro

COLOR TEMPERATURE CORRECTION

Linear color temperature correction from 2700K to 10000K.

STROBE:

Electronic strobe, 0-25 F.P.S

LENS ANGLE:

Beam Angle(1/2 Maximum) : 6°

Light Spot Angle(1/10 Maximum): 12°

CONTROL:

DMX512, 5 pin interfaces

17channels in standard mode, and 28 channels in extended mode.

Master/slave mode

Stand-alone mode, Preset mode, Self test mode, Single Scene mode

OTHER FUNCTIONS:

Pan: 720° or 360° and Endless, Tilt : 270° and Endless

Pixel Control in the form of 2-2-2-1

Touch Key

LCD display, brightness and contrast adjustable

Sound operation

Wireless control (optional)

Pan & Tilt speeds adjustable

Firmware upgradable via DMX Port

Over temperature protection

Fixture time and DMX512 values display

Software Version display, Display Invert

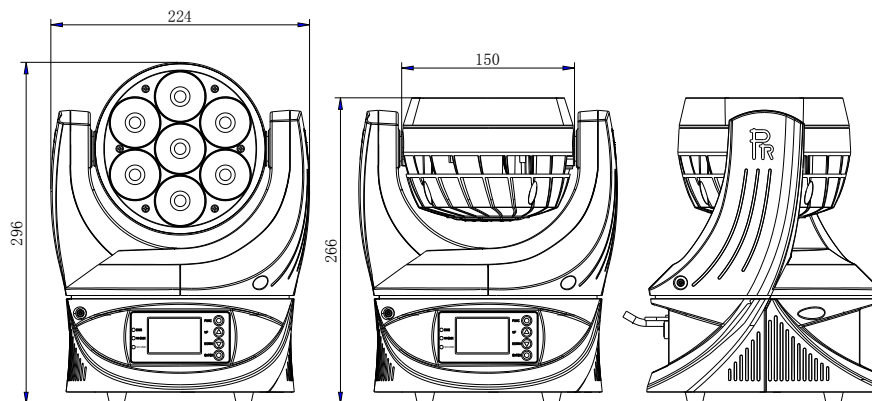
HOUSING:

High temperature engineering-plastic, IP20

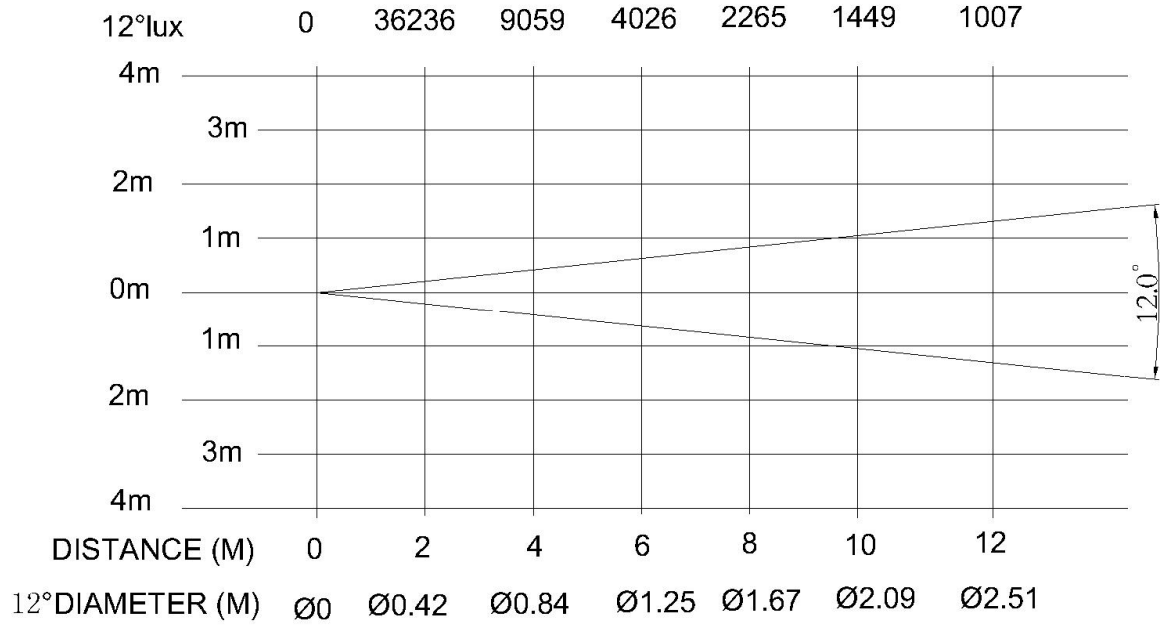
WEIGHT:

4.36 Kg

SIZES:



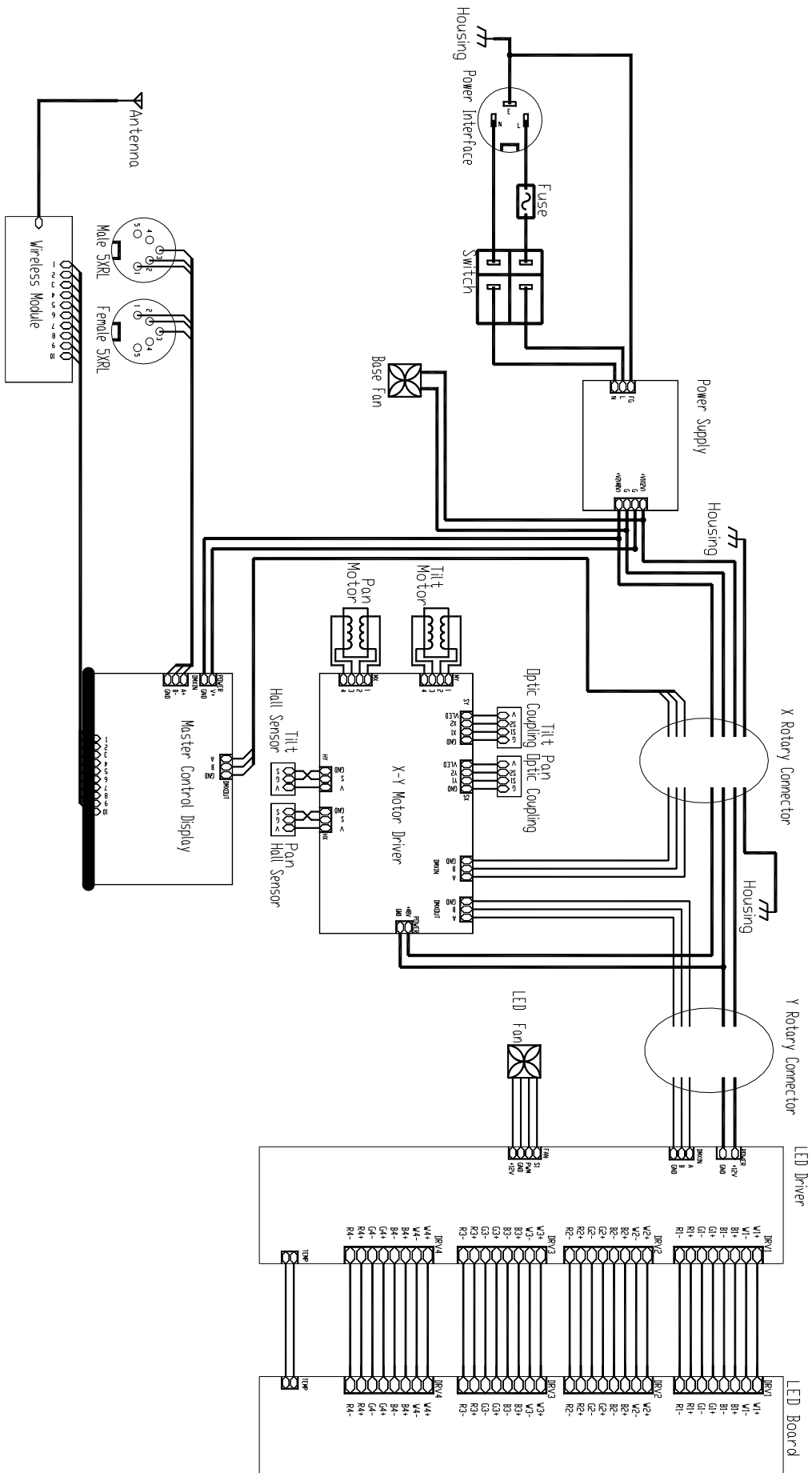
LIGHT OUTPUT :



COMPONENT ORDER CODES

NO.	NAME	PART NO.	QUANTITY	REMARK
1	POWER SUPPLY	192010180	1 PCS	HQ255-2W02
2	15W LED ASSAMBLY	230060278	1 PCS	
3	FIXED FOCUS LENS	071100053	7 PCS	
4	FUSE	270041037	1 PCS	5x20 3.15A
5	TILT/ PAN BELT	290151337	2 PCS	HTD-297-3M
6	7015 FAN	030060087	1 PCS	MGT7012HB-W20
7	4010 FAN	030060093	1 PCS	HA4010V4-000C-999
8	PAN/TILT MOTOR	030040175	2 PCS	
9	PAN/TILT MOTOR DRIVE BOARD	230060264	1 PCS	
10	LED DRIVER PCB	230060277	1 PCS	
11	DISPLAY PCB	230060279	1 PCS	
12	WIRELESS ANTENNA	W006512	1 PCS	
13	WIRELEES RECEIVER	W006511	1 PCS	

CIRCUIT DIAGRAM



PR LIGHTING LTD.

1582 Xingye Avenue, Nancun Panyu
Guangzhou, 511442 China
TEL: +86-20-3995 2888
FAX: +86-20-3995 2330

Version: 20140409 (preliminary)