

security labs

User's Manual

Specifications:

Imager Type	1/3" Sony ExView II CCD w/ Effio-E DSP
Resolution	700 Lines
IR	(24) IR LEDs with Halo Diffuser
Light Sensitivity	.02 LUX
Video Format	NTSC Comp 1V p-p
Shutter	Auto Electronics
White Balance	Auto
Gain Control	Auto
Lens	3.6mm
Case	IP67
Mount	Swivel
Power	12VDC, 210 mA
Operating Temp	14°-122° F
Size	2.75"H x 3.75"D



SLC-159 Bullet Camera Installation:

Select a mounting location where the camera can be mounted securely. If an outdoor location is selected, make sure that the camera is mounted under an eave or awning and has a clear view of the area to be monitored. After confirming that the mounting location is free from electrical wires or other hazards, mount the camera securely using the hardware supplied. Connect the audio/video/power cable to the camera as shown in the connection diagram.

Route the 50' video/power cable from the camera (supplied) to the recording device (DVR), monitor, or TV. Connect the BNC yellow video plug to the video in jack on the monitoring or recording device. Connect the 2.1mm red power plug to the power adapter included with the camera. Observe that one end of the 50' video power cable has a power connection for the camera; the other end connects to the power supply (different connectors). Refer to the connection diagram on the back of this page for cable connections to your system.

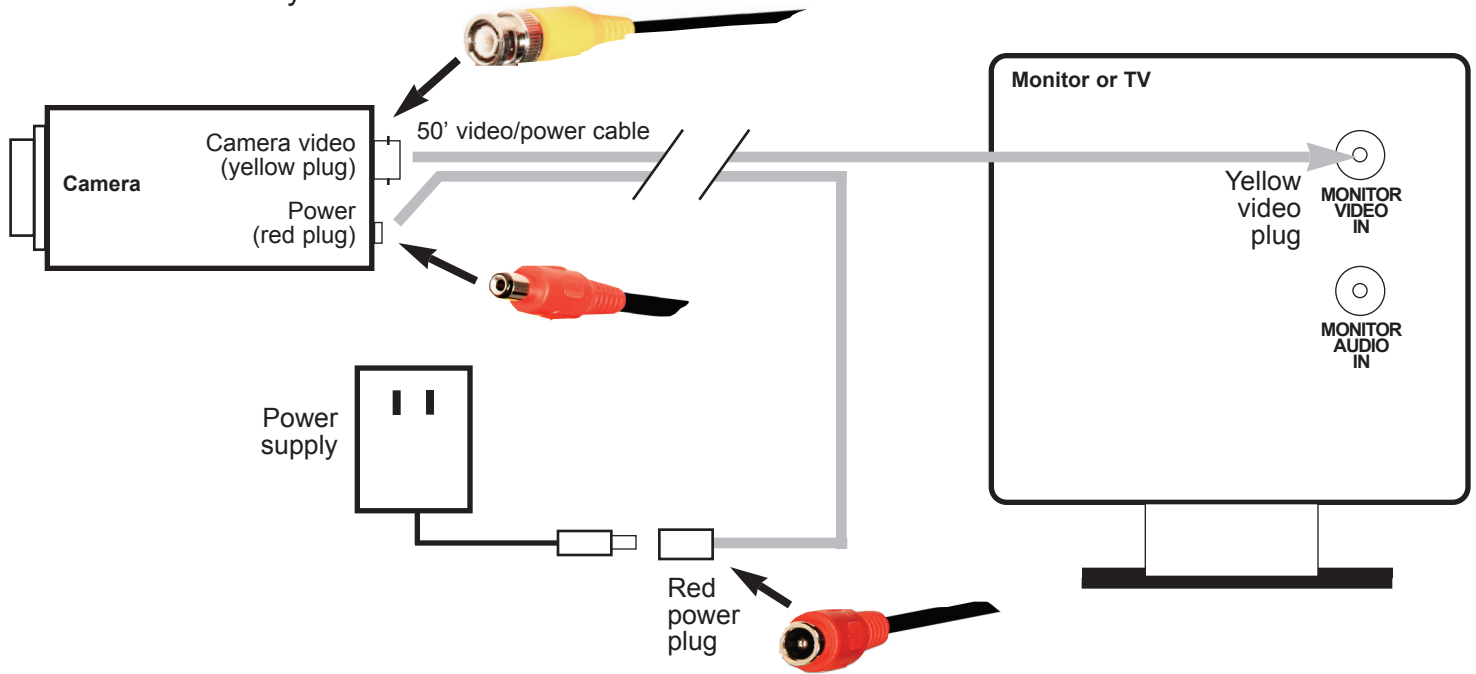
SAFETY

The power adapter supplied with your camera is intended for indoor installation only. Use only the power supply provided for camera power. To avoid possible shock hazards or product damage, do not alter the connections or wiring. Use caution when connecting the adapter to AC voltage. Avoid exposure to electrical wires or other hazards when routing AV or power cables through walls, ceilings, etc. Securely mount the product to avoid possible damage or physical injury. Use the camera in a well ventilated area. Do NOT allow camera to become submerged in any liquid.

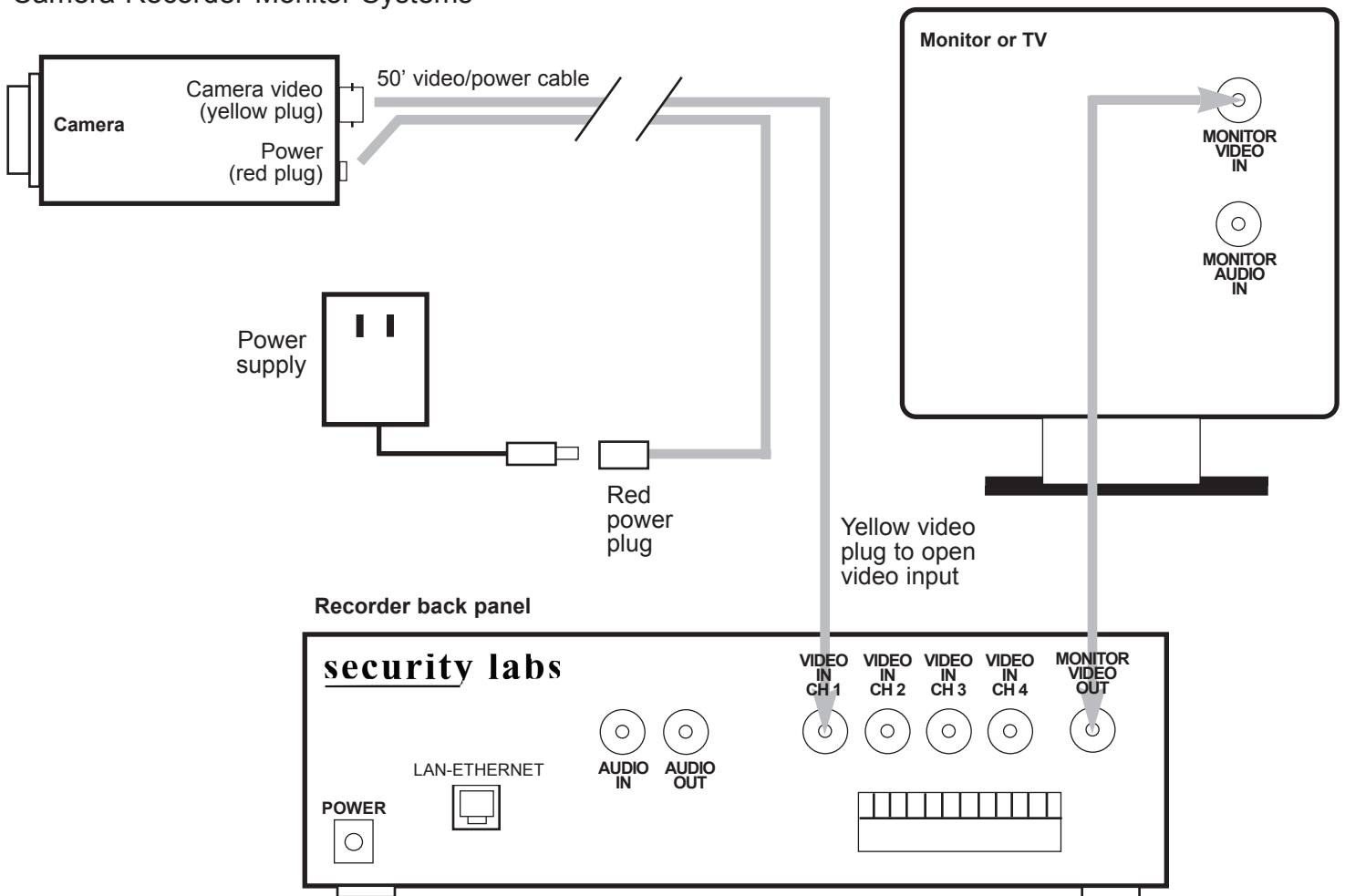
SURVEILLANCE

Certain laws prohibit the recording or monitoring of individuals without their consent. The user of this product assumes full responsibility for any and all violations of an individual's rights regarding privacy laws. Check with your local, and state authorities regarding video and audio surveillance.

Camera-Monitor Systems



Camera-Recorder-Monitor Systems



Questions? Call Security Labs Toll Free Customer Support at 800-774-0284