

# Inspired<sup>✦</sup>

Barbecue Brochure



*Our Electrolux Inspiration  
Outdoor Cooking Range*

The perfect fit for outdoor entertaining



# Barbecues

## *The perfect fit*

Outdoor entertaining never looked so good. With a sleek linear design and uncompromising power, the Electrolux range of ProLine™, integrated barbecues offers an array of premium features like the multipurpose cast iron MaxiPlate™, powerful QuadBurner™, and a superior oil management system. It's everything you want in a barbecue and more.



● **Sleek linear design**

● **Even heat distribution**

● **Intuitive controls**

● **Effortless entertaining**



.....  
**Even heat distribution**

The state-of-the-art cooking surface features six powerful burners to ensure precise heat distribution and amazing results every time. Plus you'll enjoy peace of mind knowing that your food will always be cooked evenly and just the way you like it.



.....  
**Effortless entertaining**

Turn everyday outdoor entertaining into a gourmet experience. The optional integrated QuadBurner™ is designed to sit alongside the integrated barbecue. With uncompromised power and lashings of style, you can easily cater to any number of guests and their tastes.

.....  
**Sleek linear design**

With its distinctive linear design, the Electrolux barbecue range is sure to impress. Sleek lines, cutting-edge style and a top-class range of innovative features have created the perfect addition to your outdoor entertaining area.



.....  
**Intuitive controls**

Designed for form and function, the ergonomic controls complement any suitable bench or workspace. Each control features power level indicators to eliminate guesswork and ensure perfect results every time.



**Fully Integrated Barbecue with Hood**

**EQBH156AS**

**ProLine™ fully integrated 6 burner barbecue with hood**



**Technical info**



**Cut-out dimensions (mm)**  
1025 (W) x 502 (D)

**Product dimensions**  
212 (H) x 1053 (W) x 540 (D)

**Features**

- Commercial grade 304 stainless steel on all external surfaces, trim surrounds and control knob caps
- 6 stainless steel burners - with total rating of 71 MJ/h
- MaxiPlate™ cast iron hotplate
- Intuitive side mounted controls, with laser etched power level indicators
- Dual-layered roasting hood with temperature gauge
- Superior oil management system
- Electronic ignition through control knobs
- Warming rack
- Cast iron grill and hotplate furnishings
- Set up for LPG connection with gas conversion kits sold separately

**Fully Integrated Barbecue with Lid**

**EQBL156AS**

**ProLine™ fully integrated 6 burner barbecue with lid**



**Technical info**



**Cut-out dimensions (mm)**  
1025 (W) x 502 (D)

**Product dimensions**  
42 (H) x 1053 (W) x 540 (D)

**Features**

- Commercial grade 304 stainless steel on all external surfaces, trim surrounds and control knob caps
- 6 stainless steel burners - with total rating of 71 MJ/h
- MaxiPlate™ cast iron hotplate
- Intuitive side mounted controls, with laser etched power level indicators
- Removable slimline lid
- Superior oil management system
- Electronic ignition through control knobs
- Cast iron grill and hotplate furnishings
- Set up for LPG connection with gas conversion kits sold separately

**Integrated Wok Burner**

**EQBW316AS**

**30cm ProLine™ fully integrated QuadBurner™ with lid**



**Technical info**



**Cut-out dimensions (mm)**  
325 (W) x 480 (D)

**Product dimensions**  
42 (H) x 350 (W) x 540 (D)

**Features**

- Designed to sit alongside Electrolux Integrated Barbecue (EQBH156AS and EQBL156AS)
- Powerful triple ring 23MJ/h QuadBurner
- Cast iron trivet for both wok and flat pan cooking
- Reversible cast iron hotplate with both flat and griddle surface
- Piezo ignition with flame thrower
- Commercial grade 304 stainless steel on all external surfaces, trim surrounds and control knob caps
- Intuitive front mounted control, with laser etched power level indicators
- Removable slimline lid
- Set up for LPG connection with gas conversion kits sold separately

### ProLine Canopy Rangehood

**ERHC1238S**

**120cm indoor/outdoor canopy rangehood**

### Technical info



**Duct diameter (mm)**  
200

**Product dimensions (mm)**  
415 (H) x 1195 (W) x 580 (D)

### Features

- 316 Marine grade stainless steel construction for use indoors and outdoors
- Elegant electronic touch controls
- Dishwasher safe filters
- Professional levels of extraction with 2000m<sup>3</sup>/hr
- Halogen lighting for effective illumination of the cooking or barbecuing area
- 2 x motors/fans
- 3 speeds plus boost to cater to your needs
- 65 dB(A) maximum



### ProLine Canopy Rangehood

**ERHC938S**

**90cm indoor/outdoor canopy rangehood**

### Technical info



**Duct diameter (mm)**  
200

**Product dimensions (mm)**  
415 (H) x 895 (W) x 580 (D)

### Features

- 316 Marine grade stainless steel construction for use indoors and outdoors
- Elegant electronic touch controls
- Dishwasher safe filters
- Professional levels of extraction with 1200m<sup>3</sup>/hr
- Halogen lighting for effective illumination of the cooking or barbecuing area
- 1 x motor/fan
- 3 speeds plus boost to cater to your needs
- 62 dB(A) maximum



## Barbecues



**EQBH156AS**  
ProLine™ Integrated  
barbecue with Hood

**EQBL156AS**  
ProLine™ Integrated  
barbecue with Lid

**EQBW316AS**  
ProLine™ Integrated  
QuadBurner™ with Lid

model			
finish	stainless steel	stainless steel	stainless steel
number of burners	6	6	1
burner type	stainless steel	stainless steel	open triple ring wok
total burner output (LPG)	71	71	23
controls	4 x side mounted	4 x side mounted	1 x front mounted
ignition type	electronic through knob	electronic through knob	piezo with flame thrower
removable stainless steel dual layer roasting hood	■		
removable stainless steel slimline lid		■	■
<b>304 grade stainless steel on:</b>			
all external surfaces	■	■	■
trim surround	■	■	■
control knob area	■	■	■
removable hood	■		
removable lid		■	■
grease collector trays (oil management system)	■	■	
<b>Commercial grade 443 stainless steel on:</b>			
all internal stainless steel components	■	■	■
flame tamers	■	■	
warming rack	■		
burner box	■	■	
<b>features</b>			
laser etched power level indicators on control panel	■	■	■
MaxiPlate™ hotplate	■	■	
superior oil management system	■	■	
warming rack	■		
temperature gauge	■		
QuadBurner™ with cast trivet and reversible grill plate			■
<b>standard inclusions+</b>			
cast iron MaxiPlate hotplate (standard, as supplied) - 1 piece	ACC171	ACC171	
cast iron grill (standard, as supplied) - 2 pieces	ACC172	ACC172	
cast iron reversible grill plate (as supplied)			ACC178
<b>optional extras*</b>			
gas conversion kit - NG	ACC164	ACC164	ACC164
gas conversion kit - reticulated hard plumbed LP	ACC165	ACC165	ACC165
gas conversion kit - ULPG	ACC173	ACC173	
weatherproof cover	EQACBH	EQACBL	EQB40ACBL
cast iron hotplate (medium) - 1 piece	ACC176	ACC176	
cast iron grill (medium) - 2 pieces	ACC177	ACC177	
gourmet pizza pack	ACC122	ACC122	ACC122
<b>dimensions</b>			
product dimensions (mm)	212 (H) x 1053 (W) x 540 (D)	42 (H) x 1053 (W) x 540 (D)	42 (H) x 350 (W) x 540 (D)
cut-out dimensions (mm)	1025 (W) x 502 (D)	1025 (W) x 502 (D)	325 (W) x 480 (D)

† Refer to the product information on the back page of this brochure.

+ Standard inclusion with the product but can also be purchased separately via the Electrolux Customer Service Centre.

\* Sold separately via the Electrolux Customer Service Centre. For the full range of accessories please visit [electrolux.com.au](http://electrolux.com.au) or [electrolux.co.nz](http://electrolux.co.nz)

## Rangehoods



**ERHC1238S**  
120cm Indoor/Outdoor



**ERHC938S**  
90cm Indoor/Outdoor

features		
installation/rangehood style	indoor/outdoor rangehood	indoor/outdoor rangehood
colour/finish	stainless steel	stainless steel
max. air flow	2000m <sup>3</sup> /hr	1200m <sup>3</sup> /hr
filters	4	3
fan speeds	4	4
lights	halogen (x4)	halogen (x3)
controls	electronic - touch on stainless	electronic - touch on stainless
centrifugal fan	2	1
recirculating option		
optional carbon filters		
noise level dB(A) (maximum)	65	62
electrical supply required	240V/50Hz	240V/50Hz
dishwasher safe filters	■	■
dimensions		
duct diameter (mm)	200	200
product dimensions (mm)	415 (H) x 1195 (W) x 580 (D)	415 (H) x 895 (W) x 580 (D)

† Refer to the product information on the back page of this brochure.

\* Standard inclusion with the product but can also be purchased separately via the Electrolux Customer Service Centre.

## Barbecues



**OIL  
MANAGEMENT  
SYSTEM**



**MAXIPLATE™**



**PIEZO  
IGNITION**



**ELECTRONIC  
IGNITION**



**WOK  
BURNER**



**NUMBER OF  
BURNERS**



**4 WAY  
COOKING**

## Rangehoods



**62  
dB(A)  
MAXIMUM**



**TOUCH  
CONTROLS**



**DISHWASHER  
SAFE FILTERS**



**HALOGEN  
LIGHTS**



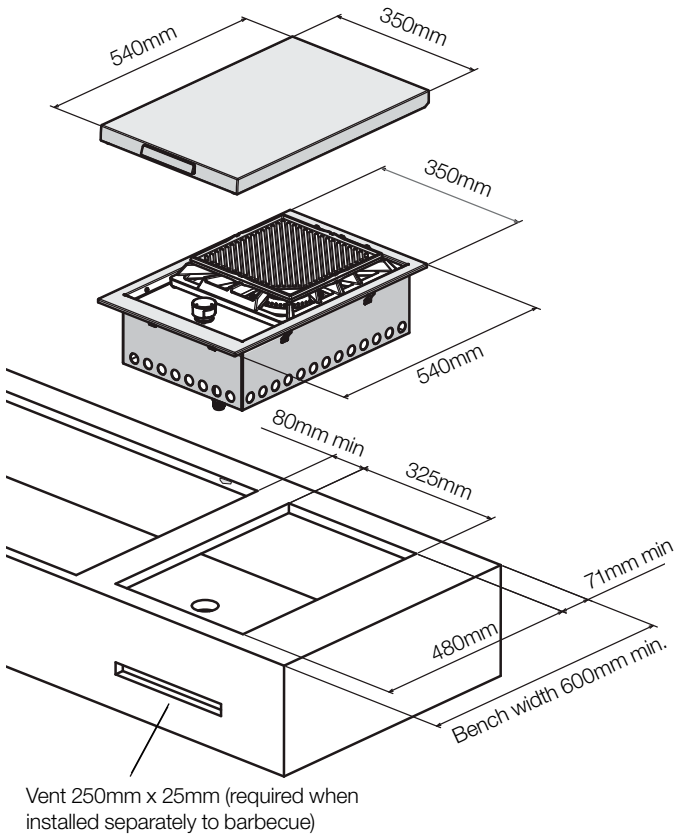
**NO. OF FAN  
SPEEDS**



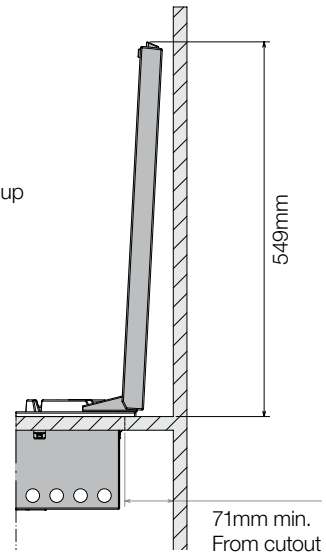
**INDOOR/  
OUTDOOR**

## Barbecues

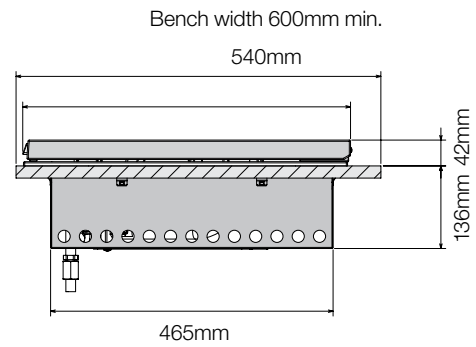
### EQBW316AS



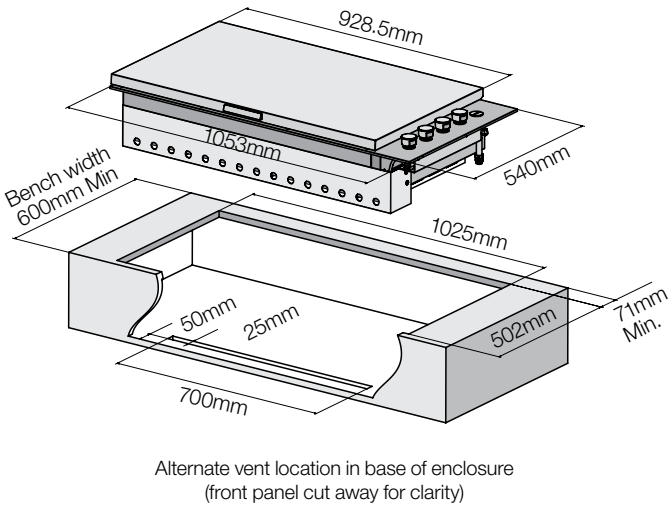
Dimensions  
Side view - lid up



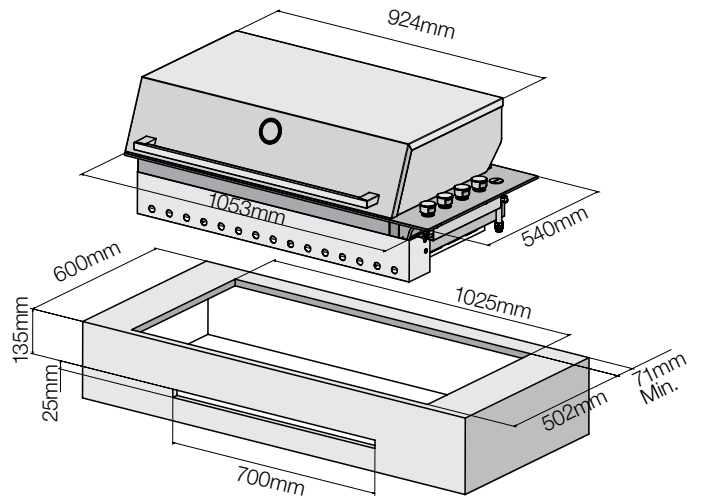
Side view - lid down



### EQBL156AS



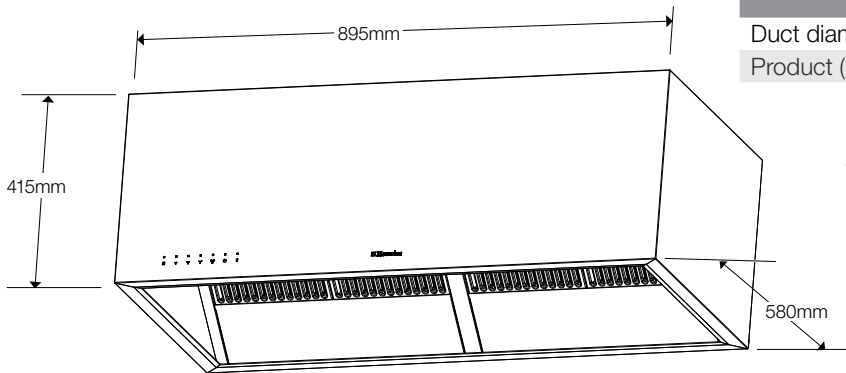
### EQBH156AS



**Please note!** Dimensions to be used as a guide only. All customers MUST refer to the user manual supplied with the product for detailed installation instructions.



# Rangehoods

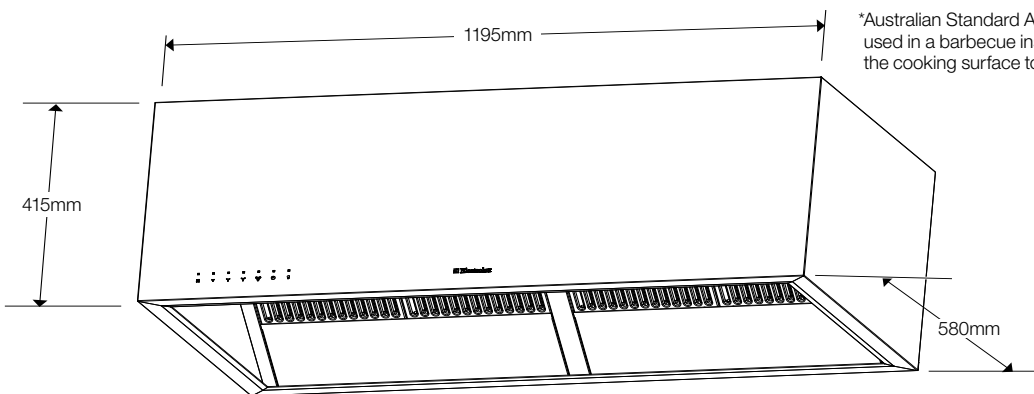


## Dimensions

	width	height	depth
Duct diameter	200		
Product (mm)	895	415	580

\*Australian Standard AS/NZS 5601.1:2013 requires all rangehoods used in a barbecue installation to have 1,200 mm clearance from the cooking surface to the grease filters.

## ERHC1238S



## Dimensions

	width	height	depth
Duct diameter	200		
Product (mm)	1195	415	580

\*Australian Standard AS/NZS 5601.1:2013 requires all rangehoods used in a barbecue installation to have 1,200 mm clearance from the cooking surface to the grease filters.

## Barbecue Accessories

*The Electrolux range of optional BBQ accessories give you the tools to make tantalising outdoor meals.*



### Cast Iron Grills & Plates

Enjoy fast heat-up, superior heat retention and consistent cooking results with the cast grills and hotplates. The cast furnishings are also simple to clean, so you can keep your BBQ looking its best for many years to come.



### Gourmet Pizza Pack

Consisting of two square pizza stones and a wooden pizza paddle, you will be soon making authentic gourmet pizzas cooked on your BBQ.



### Weatherproof Covers

Keep your Electrolux BBQ looking new with the custom designed Weatherproof Covers. The weighted edges keep the covers in place day and night, whilst the heavy duty material ensures constant protection.

### Gas Conversion Kits

Your BBQ is set up for LP gas connection, however, we offer a range of gas conversion kits to suit your needs.





## Electrolux Home Products

### Australia

telephone: 1300 363 640  
fax: 1800 350 067  
email: [customercare@electrolux.com.au](mailto:customercare@electrolux.com.au)  
web: [electrolux.com.au](http://electrolux.com.au)

### New Zealand

telephone: 0800 436 245  
fax: 0800 225 088  
email: [customercare@electrolux.co.nz](mailto:customercare@electrolux.co.nz)  
web: [electrolux.co.nz](http://electrolux.co.nz)

We invite you to follow Electrolux and get involved in the conversation:

[thinkingofyou.com.au](http://thinkingofyou.com.au)



[facebook.com/electroluxaustralia](https://facebook.com/electroluxaustralia)



### TOP SERVICE

Electrolux Top Service encompasses the after sales service including Delivery, Home Service and Spare Parts.

#### delivery

The purchase of a new appliance is an exciting experience. Electrolux customers can, for an additional charge, choose to have their new appliance delivered by our experienced staff. This service, at the customer's option, includes the removal and recycling of packaging materials and even the old appliance if necessary. Delivery is available in Adelaide, Brisbane, Melbourne, Perth and Sydney. It may not be available in some rural locations and is not available in New Zealand.

#### home service

Home Service is provided for repairs to appliances by trained technicians. For repairs to appliances that are outside the manufacturer's warranty period and not required as a result of a manufacturing defect, a service fee is payable. Home Service is available throughout Australia and New Zealand.

#### spare parts and accessories

Electrolux offers an extensive range of genuine spare parts and accessories to purchase across our entire range of products. With purchasing options to suit your shopping style – you can be sure we are always thinking of you. To view and purchase genuine spare parts and accessories online visit [electrolux.com.au/shop](http://electrolux.com.au/shop). To discuss and purchase genuine spare parts and accessories with one of our friendly staff call 1300 363 640. To find your nearest Electrolux spare parts retailer call 13 13 50.

### Australia

Service 13 13 49  
Spare Parts 13 13 50  
[electrolux.com.au](http://electrolux.com.au)

### New Zealand

Service 0800 10 66 10  
Spare Parts 0800 10 66 20  
[electrolux.co.nz](http://electrolux.co.nz)

#### warranty

Electrolux Home Products warrants that for domestic or equivalent applications the Electrolux products featured in this brochure are free from defects in materials and workmanship for 5 years in Australia and 2 years in New Zealand. All warranties are subject to the conditions set out in the warranty card accompanying the product when purchased.

#### product information

The descriptors and illustrations in this publication apply to the specific products and models described as at the date of issue. Under our policy of continuous product development, product specifications may change without notice. Prospective purchasers should therefore check with their retailer to ensure this publication correctly describes the products that are being offered for sale. All information supplied is to be used for general reference purposes only and is on the understanding that Electrolux Home Products Pty Ltd will not be liable for any loss, liability or damage of whatever kind arising as a result of reliance on such information. Colours of products illustrated are as close as printing limitations allow. Electrolux will at all times comply with its obligations pursuant to law including Competition and Consumer Act 2010.

