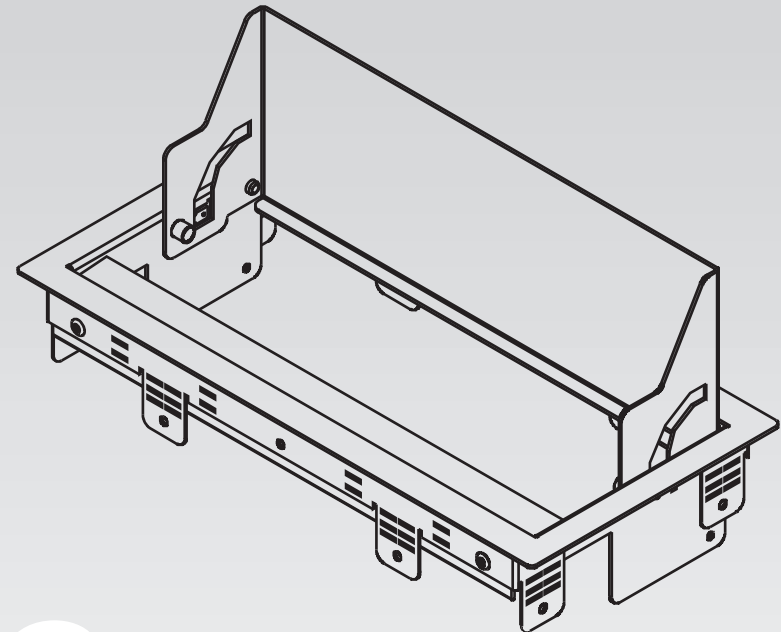


installation Guide
User manual



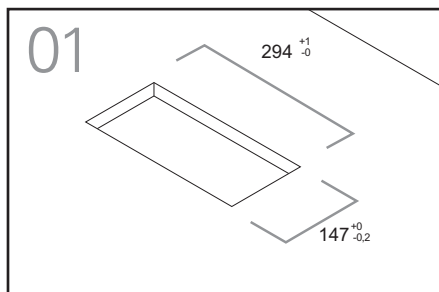
Cap
ocultar con estilo
hide with style

 **IBCONNECT**

P El Escopar 5 31350 Peralta Navarra Spain T+34 948 753 282 F+34 948 751 462 comercial@ib-connect.com

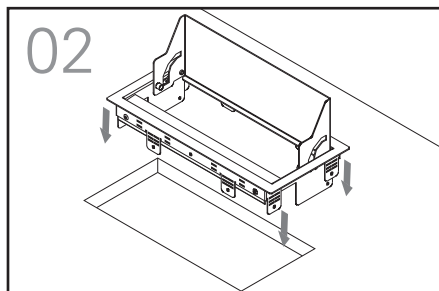
www.ib-connect.com

 **IBCONNECT**

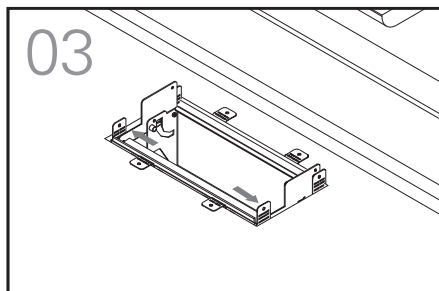


Cut an opening in the desk to recess the box with the measurements specified in figure 1.

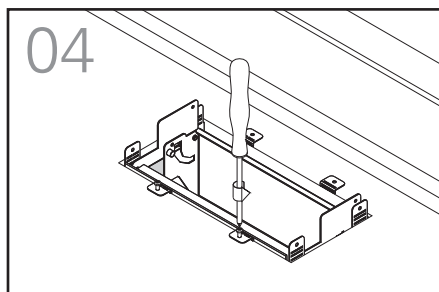
IMPORTANT: do not exceed the tolerance dimensions or the product will not be installed properly.



After you have cut the opening, insert the box through the top of the desk.

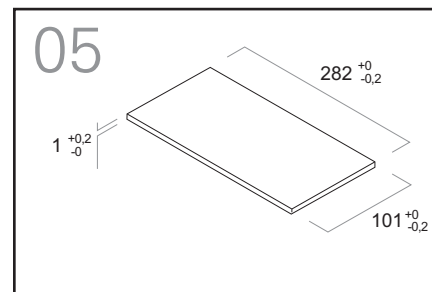


Bend the four tabs that are best suited for holding the box to the desk.

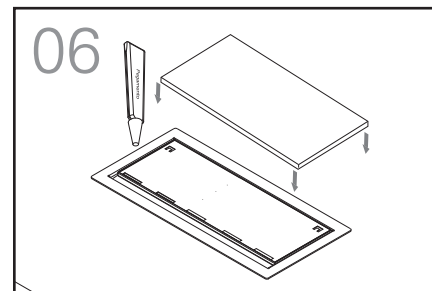


Use a Phillips head screwdriver to screw the tabs that you bent using the screws provided.

The box is completely installed.

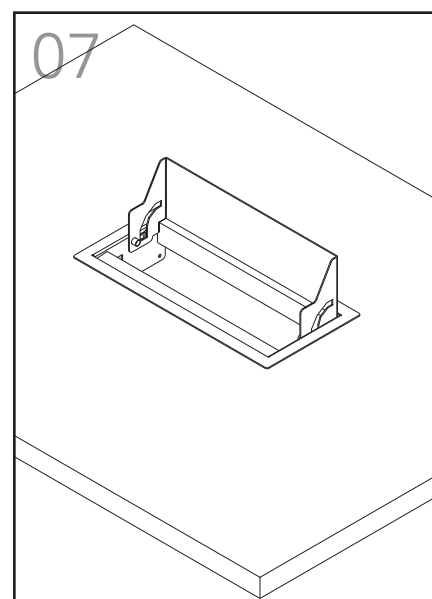


CAP PLUS COVER LAYER: To cover the Cap Plus cover with a finish that matches the desk (wood or another material), cut a layer with the same dimensions shown in figure 5.



IMPORTANT: If necessary, respect the position and direction of the wood grain.

Contact adhesive is recommended for securing the material to the cover (in the case of wood or another porous material). For materials such as leather or synthetic leather, do not use adhesives containing cyanoacrylate. **Adhesive not supplied with the product.**



Check that the box cover opens perfectly to 90°.

The product is completely installed.

For any questions on the profile frame, contact us at:

oficinategnica@ib-connect.com