

Car DVR User Manual



Overview	1
Feature	2
Structure	3
Key Functions	3
Operation	4-5
Specification	6

Overview

This is a digital HD (high definition) video camera recorder with the most advanced technology; this device is a common HD video camera as well as a professional driving recorder. It can record the high resolution image with the pixel as high as 1920X1080P FULL HD ,the advanced Wide Dynamic technology, and take the picture of 3 mega pixels. Using TF card as the storage device, compact size, low power consumption, HD camcorder can record more detailed perfect video image. Video also can be transferred by HDMI transmission wire directly to the high quality LED TV (HDMI) for high resolution displaying.

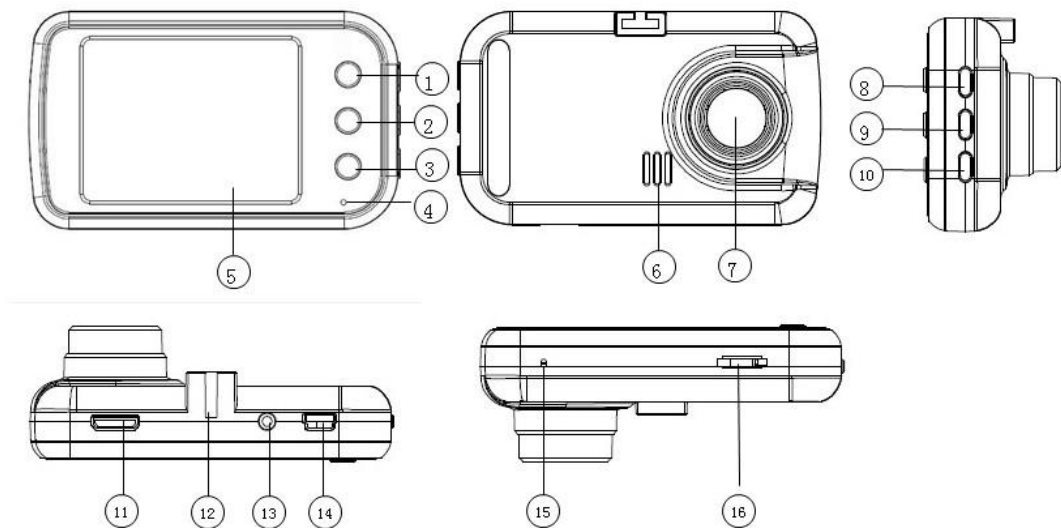
Enjoy true high-definition life by using this product.

Feature

Product features:

- ◎ 120 degree ultra wide angle lens.
- ◎ Advanced Wide Dynamic technology
- ◎ 1920×1080P FULL HD high quality resolution.
- ◎ Advanced H.264 video compression technology.
- ◎ 3 mega pixels
- ◎ 4X digital zoom, ranges from 12cm to limitless distance.
- ◎ 2.4 inch high resolution LCD, can watching while shooting.
- ◎ Support HDMI high quality video transmission.
- ◎ 4 resolution forms can be changed for video recording.
- ◎ 30/60 frames per second for smooth video flow.
- ◎ Equipped with special auto suction cup holder. Conveniently fix and use.
- ◎ Built-in GPS, record traffic speed, driving track. (Optional)
- ◎ G-sensor to keep records of sensor data and real-time display on the player.
- ◎ Powerful document protection, even in the recording process, the occurrence of sudden power outages, machine damage, etc., video files will be intact.
- ◎ Seamless continuous recording, will not miss any data.
- ◎ Adopt auto cigarette lighter power supply, to make the video recording while driving.
- ◎ To start the auto automatic off; to start the video recording function,
- ◎ Automatic circulating video recording, being able to set the record time for each file.
- ◎ Watch video while make video recording in driving. Support on-spot play back.
- ◎ Improve time & date display, no need reset when re-start.
- ◎ Set the video recording time, stop recording when the setting time is up.
- ◎ To charge through USB.
- ◎ Maximum 32GB

Structure



- | | | | |
|-------------------------|-------------------------|-----------------|-----------------|
| 1) MODE button | 2) REC button/OK button | 3) Power button | 4) MIC |
| 5) Screen | 6) Speaker | 7) lens | 8) UP key |
| 9) MENU button | 10) DOWN key | 11) HDMI port | 12) Holder slot |
| 13) GPS port (Optional) | 14) USB port | 15)Reset button | 16) TF slot |


Key Functions


Power button	ON/OFF
MENU button	Optional menu
MODE button	Switch operation mode and corresponding menu
REC button	Start/pause
UP key	UP/zoom
DOWN key	DOWN/zoom

Operation

Starting to use the car camcorder

▲ Turning ON/OFF

Press  power button once to power on ,blue light indicator is on;

Press  again to power off, blue light indicator is off.

Attention: Low battery is displayed before shutting down.

▲ Changing Batteries

There 3 ways of changing the battery, Red light indicator is on while charging; full charge time is 180 minutes.

Red light indicator will turn off when fully charged

1.Using the AC adaptor to charge battery

2.Using USB to charge battery

3.In-car battery charging

▲ Placing the Micro SD card

Place the micro SD card into the memory card slot according to the image below; press it until you hear a click sound.

Removing Micro SD card: Press it once and remove it after it pops up

▲ G-Sensor Function

Select Off/High/Middle/Low, When the impact dynamics reached the value your setup, this video will de locked.

▲ Basic operation:

▲ How to switch between video, photos, playback modes

Press MODE to switch modes

▲ How to enter setting mode

Press MENU once, press MENU key again, enter “System Setting” option, a blue background will be displayed.

Format: Format Micro SD card (this action will delete have not locking data stored in the Micro SD card)

Language setting: 1) English 2) Traditional Chinese 3) Simplified Chinese 4) Japanese 5) Russian 6) German,7) French,8) Spanish,9) Italian,10) Portuguese, 11) Czech

Reset System settings:Cancel /Proceed

Frequency:50 Hz/60Hz

Date setup:Set Date/Time

▲ How to record video and enter setup

▲ Shooting video

Press OK to start recording ,press it again to stop.

In recording mode, press MODE key to activate Day/Night mode

▲ Video option settings

Press MENU key ,enter video option setting

Image size: 1080HFD 1920*1080 720P 1280*720 WVGA 848*480 VGA 640*480

Time display:ON/OFF

Motion detect:ON/OFF

Recording:ON/OFF

Cycle recording: Off/3min/5min/10min

Auto power-off: Off/1min/3min/5min/10min

Press button voice: Off/On

▲ How to enter photo setting option

▲ Taking photo

Press OK key to take photo

Photo shooting setup option

Press MENU key, Enter photo shooting setup option

Shooting way: Single /2sec clocking /5sec clocking/10sec clocking

Image resolution: VGA 640*480 1.3M 1280*960 12M 4032*3024 10M 3648*2736 8M 3264*2448

5M 2592*1944 3M 2048*1536 2MHD 1920*1080

▲ Manage Files

Press MODE key to enter File Management mode

There are 2 types of files-Video playback, Image playback

Most recent file will be displayed on LCD.

For example: If your last action was photo shooting,

The photo will be displayed on LCD.

▲ Video and Photo playback

▲ Video Playback

Press UP/DOWN key to select the desired file for playback

Press OK key to start/stop the video playback, adjust volume by UP or DOWN button when play the video

Press DOWN key while playback to rewind

Press OK to stop video playback

▲ Image Playback

Press UP/DOWN key to select desired file for playback

Playback option setting

While playback press MENU key to Playback option setting:

1. Delete: Press OK key to select action Single/All/Select delete File
2. Protect file: select locking or deblocking the file
3. Slide play: Select 2sec/5sec/8sec to play the video

▲ Connect to PC

Downloading Videos and Images

After USB cable is connected to computer, LCD display appear start picture, blue indicator will turn on, then will the display screen will be blue

Computer will automatically detect the Micro SD card drive

Attention: System requirements: Windows 2000/XP/Vista/Windows 7, MAC OS *10.3.6 or above

Browse or manage files through computer

Unplug the USB cable turn the device off

Remarks: If device crashes during usage, press the RESET button and restart

Specification

LCD Display	2.4LTIPS (4: 3)
Lens	120° A+High Resolution Wde Angle Lens
Language selection	English、Traditional、Chinese、Japanese、Russian、German、French、Spanish、Italian/Czech
Video resolution	1080HFD 1920*1080 720P 1280*720 WVGA 848*480 VGA 640*480
Video format	MOV H.264 compress format
Image resolution	VGA 640*480 1.3M 1280*960 12M 4032*3024 10M 3648*2736 8M 3264*2448 5M 2592*1944 3M 2048*1536 2MHD 1920*1080
Image format	JPG
Memory card	Micro SD
Microphone/Speaker	Yes
Shooting way	Single/2sec clocking/5sec clocking/10sec clocking
TV mode	PAL/NTSC
Frequency	50HZ/60HZ
USB Port	USB2.0
Power input	5V 500MA
Battery	Rechargeable Li-ion

▲ Accessories:

- 1) In-car charging cable
- 2) In-car holder
- 3) USB cable
- 4) User Manual