



Ctra. Viver- Pto. Burriana, Km. 58'4  
(tramo Vila-real - Onda) - P. O. Box 27  
12200 ONDA (Castellón) España  
Tels.: 964 62 63 00 - 964 62 69 40  
Fax: 964 62 60 09

<http://www.banos10.com>  
e-mail: [banos10@banos10.com](mailto:banos10@banos10.com)

SERVICIO DE  
ASISTENCIA TÉCNICA

**902 360 708**  
[sat@banos10.com](mailto:sat@banos10.com)

PUMP-MAN-111 Esgb 1111-7L



BAÑOS 10 S.L.  
CTRA VILA-REAL - ONDA KM 12,6  
12200 ONDA  
11  
UNE-EN 14527:2006  
Platos de ducha de uso doméstico

GB Installer's Guide

# Solidstone Shower Tray Installation

Compact / Natural / Iron  
Forest / Complex

NºGarantia / Guarantee Number :

- 1- GENERAL CONDITIONS
- 2- GUARANTEE
- 3- PRODUCT FEATURES
- 4- SUPPLIED ELEMENTS
- 5- REQUIRED ELEMENTS FOR INSTALLATION
- 6- SHOWER-TRAY PRE-INSTALLATION
- 7- THINGS TO TAKE CONSIDERED BEFORE INSTALLATION
- 8- OPTIONS OF INSTALLATION
- 9- SHOWER-TRAY INSTALLATION
- 10- HOW TO CUT THE SHOWER-TRAY
- 11- CLEANING, MAINTENANCE AND DURABILITY

1

## GENERAL CONDITIONS



Baños10 thanks you for acquiring a Solidstone shower-tray.

The Solidstone shower-trays are manufactured with a high resistance material (impact resistance similar to any stone) and a minimum absorption (0,01%). The shower-trays are nonsliding and are treated to avoid the proliferation of bacterians.

All our products have been manufactured with a strictly quality control.

Baños 10 guarantees their products and components against any lack of conformity when the use of them and installation have been made correctly. The company won't be responsible of the inconveniences caused by an incorrect or inadequate use of the products, so guarantee will never cover the expenses of substitution of shower screens, tile or whatever element that should be replaced by a wrong use or bad installation.

For a correct installation, use and good maintenance read carefully this guide.

2

## GUARANTEE



Dear Customer,

From Baños 10 we thank you for the confidence placed in us by purchasing one of our products and hope to provide an excellent service for many years.

As manufacturers and makers of the product you purchased, we are convinced of the excellent quality of it, and hope it does not need any technical intervention for a long time. However, if you require a visit or advice from our service center, both inside and outside the warranty period, we are available on the phone 902 360 708. Also, for any product-related query, please contact us by phone or email at [sat@banos10.com](mailto:sat@banos10.com).



## GENERAL SCOPE

Baños 10, S.L. guarantees, as manufacturer to the buyer and/or user all rights under the law 23/2003 of July 10, in consumer goods sales.

It also guarantees to the buyer and/or user of the device whose data is contained in the Warranty Document, repair the equipment if it has sustained damage due to a defect in material or workmanship, provided it is intended for private use and that has been handled properly and in accordance with instructions for assembly, connection, commissioning and management. These repairs will be free including the cost of spare parts, works and displacement of technical staff to the user address presenting purchase documents and guarantee.

This warranty applies to the minimum guarantee that we offer as a producer.

### IMPORTANT

To qualify for this guarantee, is essential to demonstrate to Baños 10 Official Service the date of product receipt. For this, it is only necessary to show the INVOICE, receipt or the delivery note whichever is later of invoice or receipt date.

So, keep your invoice or sales receipt attached with this document.

## TERMS AND CONDITIONS

The deadline for claiming the conformity by the consumer is 24 months from the delivery time. In case of non-conformity, the consumer may choose between repair or replacement unless it is impossible or disproportionate. The deadline to inform Baños 10, SL any non-compliance is two months since the buyer or user had knowledge about it.

This warranty extends to the purchaser or user, provided it is duly supported by original invoice or sales receipt and delivery note. Read the user manual before using the product. Consult your doctor or specialist whether or not to use. Do not let children use it without adult supervision

## EXCLUSION OF WARRANTIES

Warranty excludes damage caused by malfunctions caused as a result of:

- Damage during transportation and / or handling the installation.
- Force majeure for all atmospheric or geological.
- Deficiency of electrical supply either by excess or defect.
- Chemical or electrochemical reactions, in combination with the material and / or water, such as those caused by spilled liquids or materials on the product, water hardness and / or excess of lime, excess humidity.
- Improper installation, not in accordance with local regulations and the manual supplied with the right editor.
- intervention or manipulation by unauthorized staff or not covered by the Official Service Baños 10, S.L., even such intervention is or has been only partial.
- Damage caused by electrical work, plumbing, masonry, carpentry, etc., Made to install the device in user's home.
- Handling of information contained in an invoice, purchase receipt or other document of the warranty.
- Usa not in accordance with the instructions from manufacturer or unrelated to the purpose of the product.
- Abnormal use of the product in general.

The Warranty does not cover regular maintenance of the product such as general cleaning and all those cracks resulting from improper use or forced use of the product components.

The warranty DOES NOT cover labor costs resulting from the withdrawal of the product for repairing and / or maintenance.

Baños 10, S.L. recommends the installation of their products once tiled and paved the places of location of the goods supplied, to facilitate maintenance thereof, except for those where it is necessary for the subsequent installation of equipment or products.

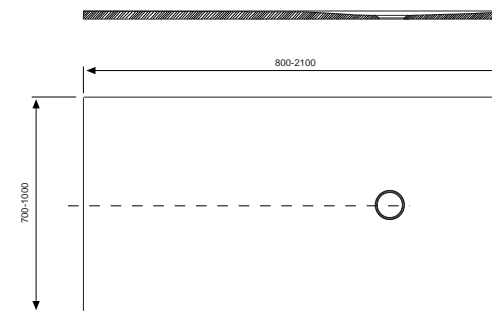
These conditions apply to products purchased in Spain. These guarantee conditions also apply to products taken out of Spain, if they have the technical requirements (such as voltage, frequency, etc.) of country concerned and where Baños 10, S.L. has an authorized service center in the country. For products purchased outside of Spain will apply the warranty issued by our distributor in the country concerned.

TECHNICAL SUPPORT ( SAT.) BAÑOS 10 TEL. 902 360 708 FAX 964 626 415  
E-mail [sat@banos10.com](mailto:sat@banos10.com)

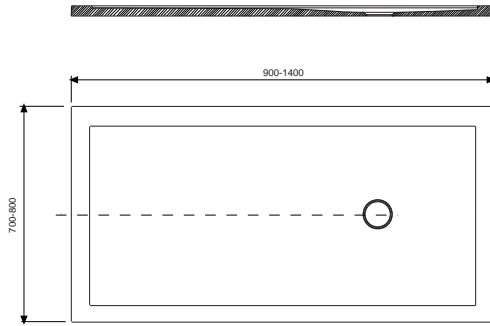
## 3

## PRODUCT FEATURES

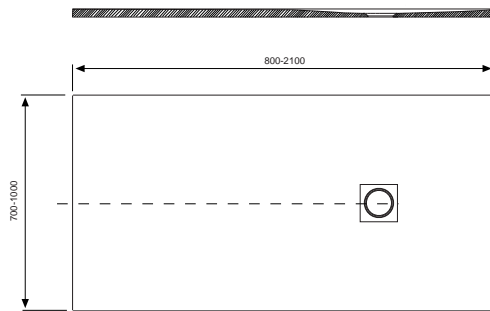
### COMPACT



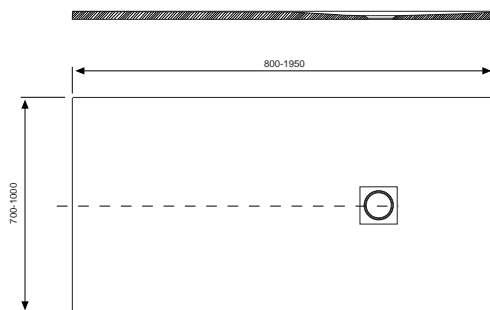
### COMPLEX



### FOREST



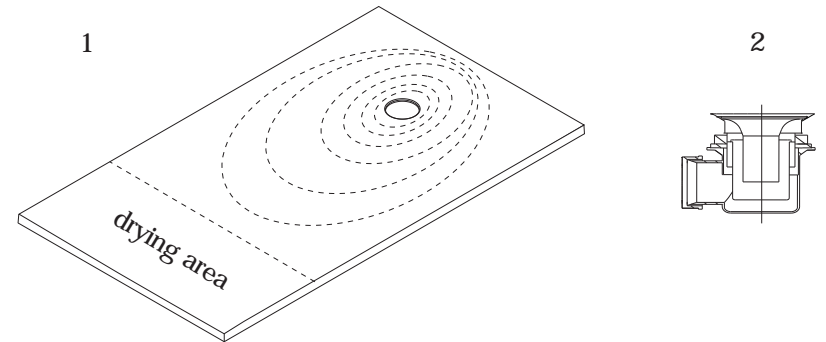
### NATURAL / IRON



NOTE: Solidstone range has a tolerance between+ - 2,5mm.

## 4

### SUPPLIED ELEMENTS



(3 Only in IRON, FOREST and NATURAL) (4 Only in IRON and FOREST)

3

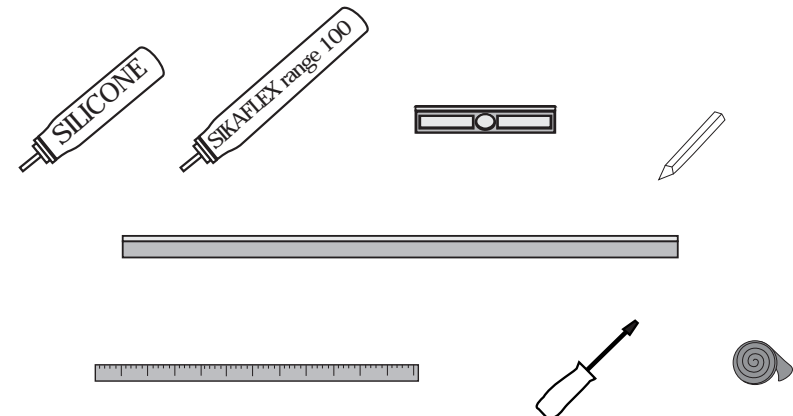


4



## 5

### REQUIRED ELEMENTS FOR INSTALLATION

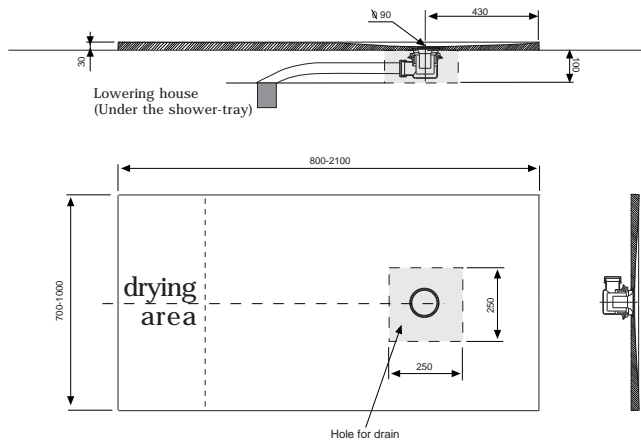


6

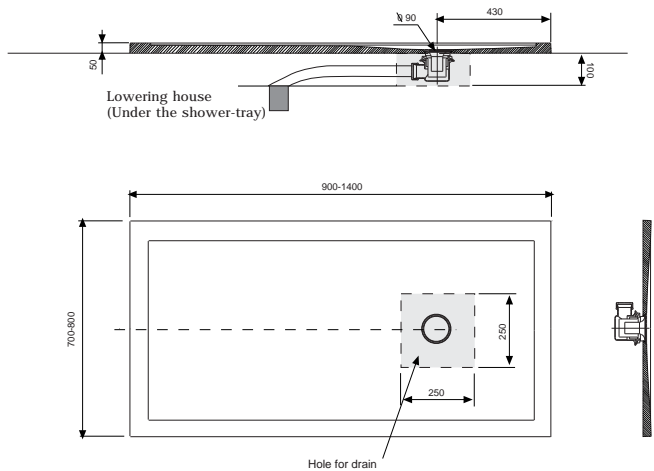
## SHOWER-TRAY PRE-INSTALLATION



## COMPACT / NATURAL / IRON / FOREST



## COMPLEX



NOTE: All our Solidstone shower-trays are designed with a light inclination (not normalized) from 1400 where starts the drying area.

7

## THINGS TO TAKE IN MIND BEFORE INSTALLATION

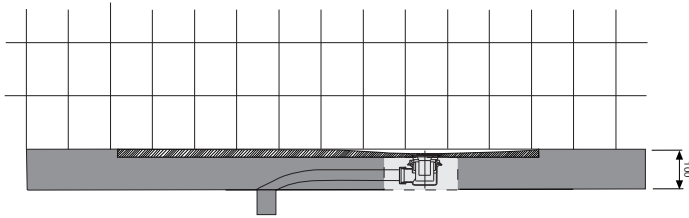


Aspects to be considered before installing the shower-tray:

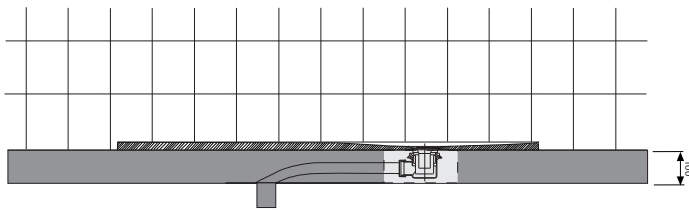
- The shower-tray has to drain correctly.
- Keep the shower-tray in horizontal position and over plain surface to prevent malformations until it is installed.
- The shower-tray has to be without any imperfections or damages to be installed.

**WARNING:** In case of detection of abnormalities or deficiencies **DON'T INSTALL** and contact the distributor to inform about the situation.

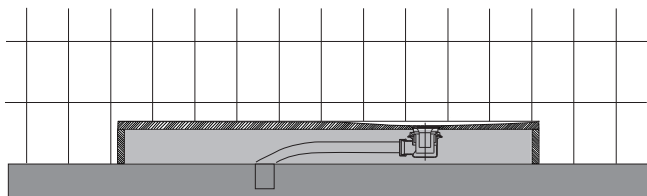
## BUILT IN



## ON THE FLOOR



## ON HIGH



NOTE: On high installation the shower-tray has to be installed on a leveled and smooth surface too. This surface has to cover all surface of the shower-tray.

## 9.0: Shower-tray preparation.

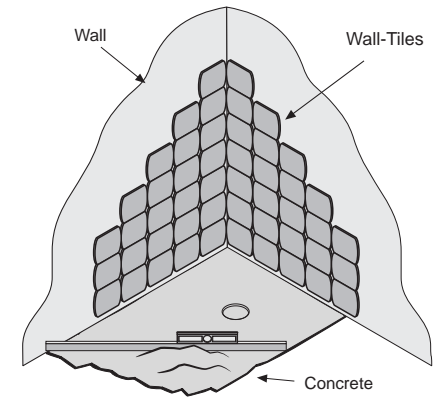
For a perfect installation of the Solidstone shower-tray sand the inferior surface for acquiring porosity so then it can be hold easier.

## 9.1: Base preparation.

For a perfect installation of the shower-tray the floor must be **PERFECTLY LEVELED** and dry. The concrete has to be completely dry because it could bend the shower-tray if wet. If it happens, the shower-tray could be useless.

The base must be ready with concrete and never with sand.

A hole must be made on the floor in order to set the drain pipe (see the installation). You have to do also a hole or channel on the floor to pass the pipes from lowering house till the drain pipe of the shower-tray.



## 9.2: Assembly of the drain pipe.

Put the drain pipe on the floor in its definitive position. Connect it with the lowering house. Read the instructions of the drain pipe.

Check that drain-pipe doesn't leak and all elements don't stand out of the holes because the shower-tray wouldn't seat correctly.

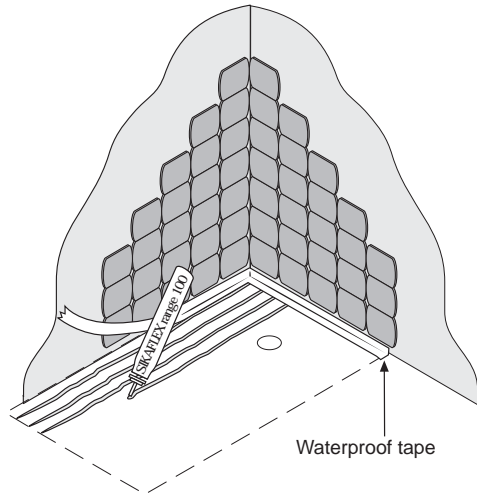
NOTE: It's very important to get a slope from the drain pipe to the lowering house to guarantee the drainage.

## 9.3: Setting of shower-tray.

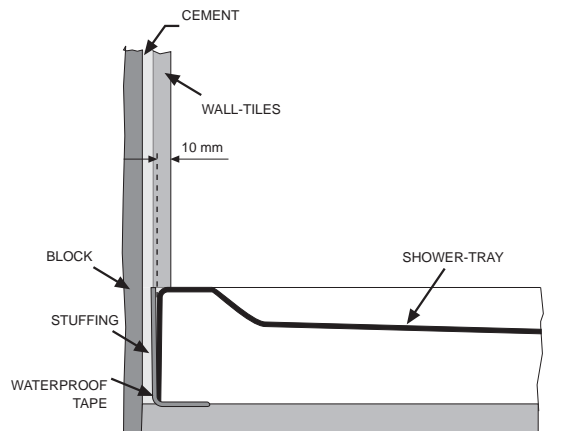
Take out the shower-tray from the packaging, use the cardboard to protect the shower-tray during the installation.

Put around the shower-tray a waterproof tape between the wall and the shower-tray. It will prevent that the water takes out from the shower-tray.

Put on the concrete's base some fragments of poliuretano mastic (SICAFLEX / CEYS) to fix the shower-tray.



Put the shower-tray in the definitive place. Coinciding the shower-tray's hole with the drains previously placed.



NOTE: Don't put the shower-tray more than 10mm. inside the wall between both sides. In this case, we will avoid problems with the shower-screen.

Adjust the shower-tray, check that it is leveled (in the lurching and tilting directions) and that it works correctly.

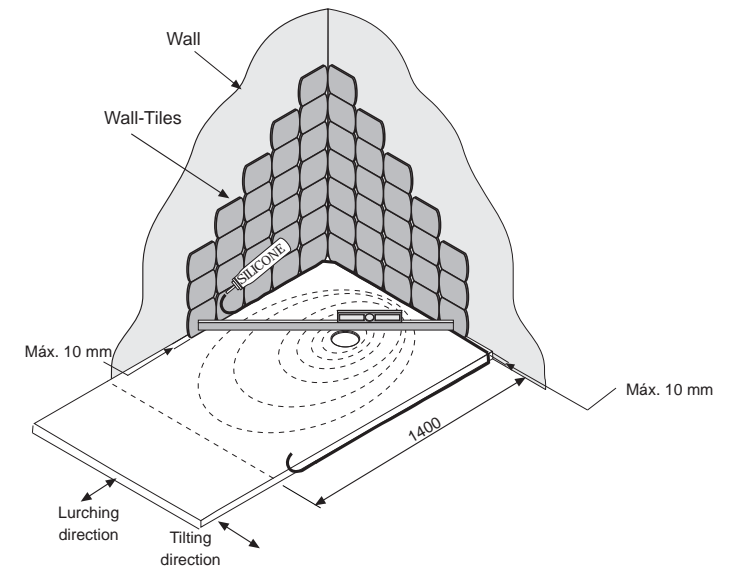
Take out the cardboard protector, silicone around the shower-tray with neutral silicon (non acetic) and clean the silicon rests.

Once the shower-tray is in the right position, put the grill (only in Natural, Iron y Forest ranges) and the screw (only in Iron and Forest shower-trays).

The shower-tray has to be fixed and leveled, otherwise the screen's doors won't slide properly.

You can use the shower-tray one day after installation, when silicone gets totally dried.

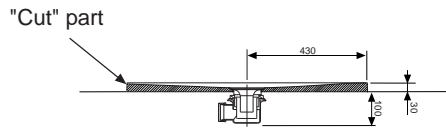
Check that the shower-tray is installed and works correctly before tiling the rest of the bathroom.



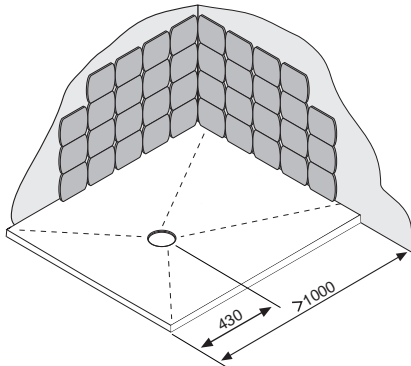


\* Shower-trays, but complex, whose measure are shorter than 1000:

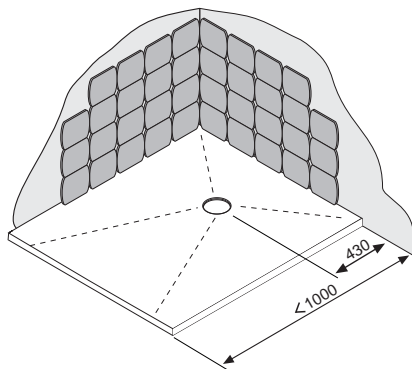
The shower-trays whose measure are shorter than 1000 mm. have to be installed with their "cut" part built-in the wall. Otherwise the shower screen couldn't be installed (see the drawing).



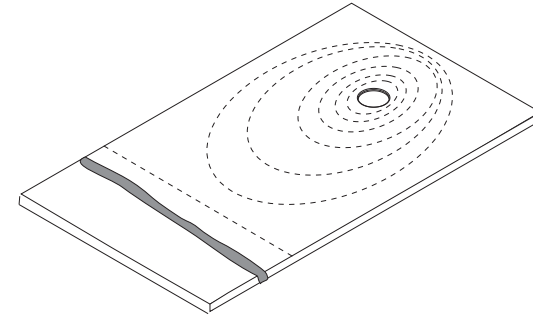
Measure shorter than 1000:



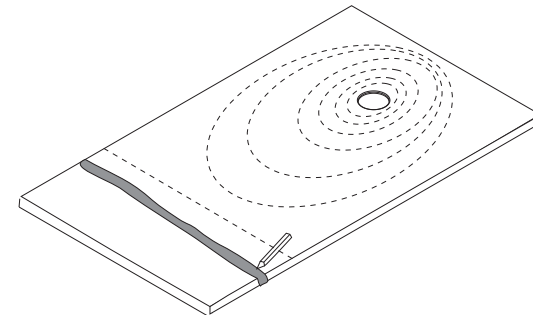
Measure longer than 1000:



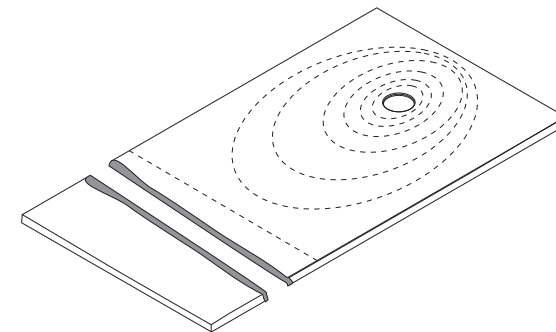
10.1: Protect the zone to cut.



10.2: Mark with a pencil the cut line.



10.3: Cut the shower-tray with a diamond's cut tool .



NOTE: The cutt parts have to be inserted into the wall.

If concrete or some other materials are in contact with the shower-tray, use appropriated products to clean the joints. Avoid to rub directly.

For usual cleaning is enough to wash out with water and dry off.

For an exhaustive cleaning use a soft cloth with neutral liquid not abrasive. In case of dirtiness or calcareous silt, clean with soap water or anti-lime product. Rinse with tepid water and dry off.

The Solidstone shower-trays don't need any specific maintenance.

In this following chart we specify the results of durability caused by the frequent chemical agents used in the bathroom.

DOMESTIC AGENTS	DEGRADATION
Bleach	24h (5)
"Salfumán"	4h (1)
"Don Limpio"	24h (3)
"Viakal"	24h (4+ )
Vinegar	24h (2)
Ammonia	24h (4)
"KH-7"	24h (5)
"Cilit Bang"	24h (5)
Acetone	1min. (1)
Isopropanol	5min. (5)
Tint of dark hair	5min. (2)
Tint of normal hair	5min. (2)
Lacquer of dark nails	5min. (3)
Lacquer of clear nails	1h (5)
Oxygenated water	24h (3)
"Betadine"	1min. (3)

### EVALUATION

- 0- Attacked film.
- 1- Superficial degradation and/or formation of blisters
- 2- Important change of brightness and/or color
- 3- Moderated change of brightness and/or color
- 4- Slight change of brightness and/or color, only visible from certain inspection.
- 5- Without evident changes