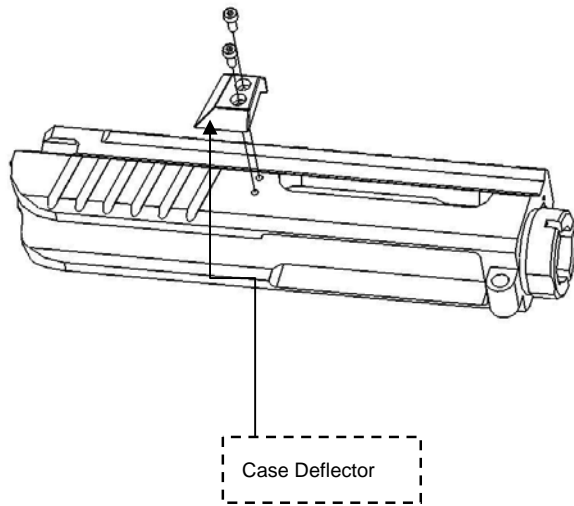




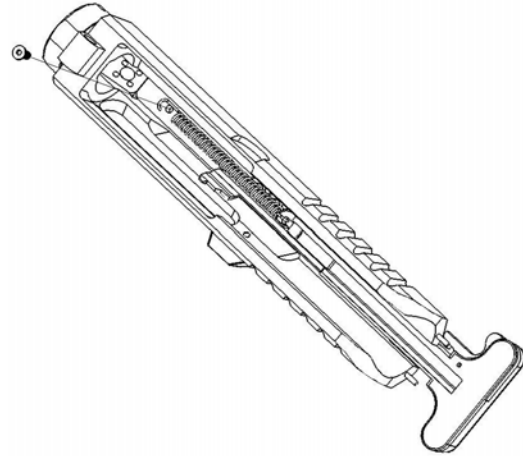
JP Airsoft TOY Receiver Installation Guide

NOTE: WEAR GOGGLE AT ALL TIMES

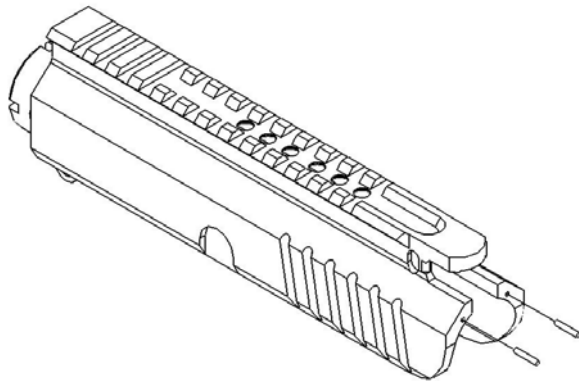
Step 01 : Lock the "Case Deflector" on the upper receiver



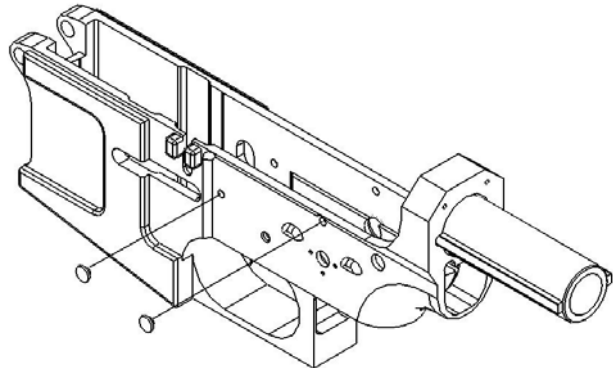
Step 04 : Lock the spring onto upper receiver by a screw which is included in the package.



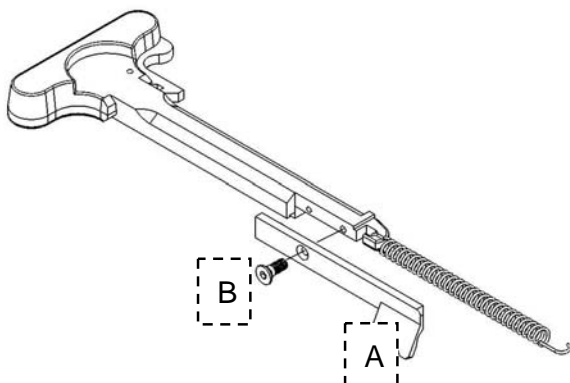
Step 02 : Insert 2 pins into upper receiver and leave about 6mm outside. Remember, don't punch these pins too hard or you may bend these pins.



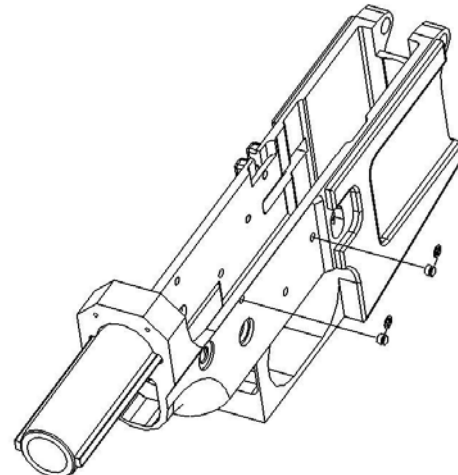
Step 05: Please insert the decoration pins cover onto the receiver. You may apply some crazy glue at the same time.



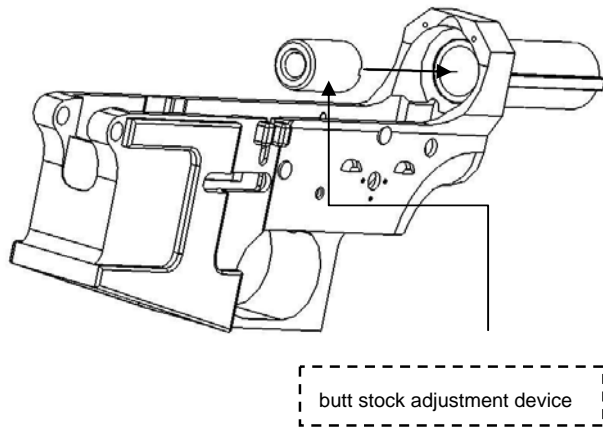
Step 03 : This charging handle and spring are not included in the "Lower Receiver" package. They are free gift with the "completed set" of Upper and Lower receiver kits. The following shows how to assemble the charging handle. Part A and B are not included in the package. Please use the original ones.



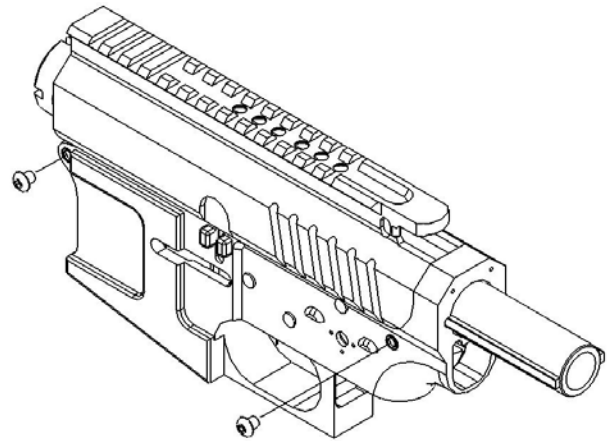
Step 06 : Please insert the decoration pins cover and E-ring onto the receiver. You may apply some crazy glue at the same time.



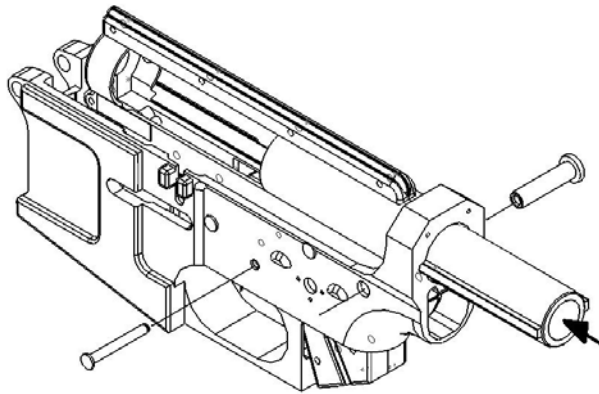
Step 07 : Insert the "butt stock adjustment device" into the lower receiver.



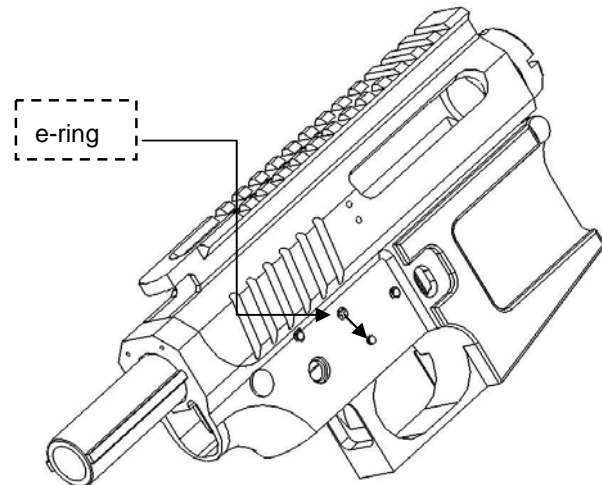
Step 09 : Please install other components by consulting Airsoft retail shop. It is not our responsibility to teach you how to complete the installation. Remember to lock front and back pins by using 2 screws.



Step 08 : Insert the gearbox and use 2 pins to lock the gearbox with lower receiver. Adjust the "Butt stock adjustment device" to lock the gearbox. Remember, if you turn the "Butt stock adjustment device" too much inside the gearbox, you may have problem to install pins.



Step 10 : Lock the pin by using e-ring.



NOTE: We will not guarantee that you can install your gearbox 100% correctly. Small modification may be needed. You have to consult your local retail shop or Airsoft expert for advanced knowledge.

Product Advisory for ALL Airsoft/ Paintball related products

WEAR GOOGLE AT ALL TIMES!

WARNING:

Don't change, obscure, alter, remove, or obliterate any coloration or markings on this gun. The coloration and/or marking on this product, including the blaze orange barrel tip are designed to comply with applicable state and federal law and regulations.

WARNING:

This product may be mistaken for a firearm by law enforcement officers or others. Any person who changes, alters, removes, or obliterate any coloration or markings that are required by state or federal law or regulation, in any way that makes this product look more like a firearm is guilty of a misdemeanor.

WARNING:

The open display, brandishing and/or exposing of this product in any "public place" may cause confusion and may be a crime. The term "public place" means any area opened to public, including but not limited to, streets, sidewalks, bridges, alleys, plazas, parks, driveways, front yards, parking lots, automobiles, whether moving or not, and buildings opened to the general public including those that serve food or during, or provide entertainment, and the doorways and entrances to buildings or dwellings.

WARNING:

Every person who, except in self-defense, draws or exhibits this product in a threatening manner against another in such a way as to cause a reasonable person apprehension or fear of bodily harm is guilty of a misdemeanor punishable by imprisonment in the county jail for a term of not less than 30 days.