

Quicklub[®]

***Progressive Centralized Lubrication Systems
for Commercial Mineral Oils with Minimum 40 mm²/s (cST)
and Greases up to NLGI Grade 2***



Subject to modification

1111a95

All rights reserved.
Any duplication of this User Manual, in its entirety or in part,
by whatever means is prohibited without the prior consent in
writing of Lincoln GmbH.
Subject to modifications without prior notification.



© 2008 by
LINCOLN GmbH
Postfach 1263
D-69183 Walldorf

Phone: +49 (6227) 33-0
Fax: +49 (6227) 33-259

Table of Contents

	Page		Page
Electric centralized lubrication		Lines and accessories	63
Pump 203	4	Accessories for centralized lubrication pumps model 203	71
Conversion sets	18	Pressure reducing valves	
Identification code	19	Identification code	73
Assemblies	23	Manometer	75
Pump 233/223	27	Brackets	75
Identification code	29	Electric Accessories	
Hand-operated centralized lubrication pumps		- for centralized lubrication pump model 103 CS and 203	
Model HP, HPG, HPGO	31	without control unit	76
Pneumatically operated centralized lubrication pumps		- for SSV metering devices	77
Model PP, PPG, PPO, PPGO	33	Accessories for SSV metering devices	81
SSV progressive metering devices and connecting elements		Accessories for manually operated systems	82
Identification code	34	Tools	84
SSV Inlet fittings		Filler pumps	
- Screw type	42	- for cartridge filling (400 cm ³ cartridge)	86
- Push-in type	44	Pump, hand-operated for grease up to NGLI grade 2	89
Outlet fittings		Drilling templates	89
- Screw type	45	Operating instructions	89
- Quicklinc outlet fittings, push-in type	46	Dimensions	
Closure plugs	48	Pump 203	90
Other fittings	49	Pump 223/233	95
Connecting elements for lube points and feed lines		Fixing boreholes	100
Identification code for fittings	50	SSVM Metering device	101
Connecting elements, screw type	50	Block Metering Devices	
Quick couplings (Quicklinc)		SSV	101
Identification code for quick couplings	56	SSV D	102
Quicklinc connecting elements, push-in type	56	Fittings	103
Quickclub accessories	62	Brackets	107
		Weights	
		Pumps 203	109
		Metering Devices	109

Technical description Quickclub Pump 203
Technical description for "Electronic control units" of pump 203:

Control p.c.b. 236-13891-1 - model V10-V13
Control p.c.b. 236-13857-1 - model H
Control p.c.b. 236-13870-1 - model M 08 - M 15
Control p.c.b. 236-13870-1 - model M 16 - M 23
Installation instructions

Subject to modification

Electric Central Lubrication Pump Model 203: 2L, 4L, 8L and 15L



Fig. 1 Assortment of electric central lubrication pumps 203

The following parts belong to the scope of delivery of the pumps 203:

- **Pump bottom**, with motor 12 or 24 VDC
- **Reservoir** with/without lid (2, 4, 8, 15 liter), with grease filling 0.75 kg (for 2L reservoir), 1.5 kg (for 4 L, 8 L and 15 L reservoir)
- **Pump element(s)**: 1 - 3 pump elements can be used
The following models are available:
 - For grease or oil supply with fixed lubricant output
 - K5 piston Ø 5 mm; 2 cm³/min
 - K6 piston Ø 6 mm; 2.8 cm³/min
 - K7 piston Ø 7 mm; 4 cm³/min
 - B7 piston Ø 7 mm; 2 cm³/min
 - For grease or oil supply with adjustable output (KR)
piston Ø 7 mm; 0.7 cm³ - 3 cm³/min
 - For supply of chisel paste (C7; S7 for synthetic grease)
piston Ø 7 mm; 4 cm³/min
- **Accessories**
 - *Pressure relief valve* - must be ordered separately (versions, see under 'Pressure relief valves'), fixing screws with *accessories*, drilling template and operating instructions
 - *Low-level control*, if any. The parts are integrated in the pump bottom and in the reservoir.
 - *Power supply for the connection to 230 VAC*, if any, is integrated in the pump bottom, possible with/ without control p.c.b. V10-V13 or p.c.b. M08-M23
- **ontrol p.c.b.** for 12/24 VDC in the versions:
Pump without control p.c.b. V10-V13 (V20-V23 for USA), H, M08-M23

Electric Central Lubrication Pump Model 203: 2L, 4L and 8L, continuation

- **Electrical connections** (see identification code)

Control p.c.b.	Low-level control	Square type plug DIN 43650 Design A	Bayonet plug DIN 72585-1	AMP plug	10 m cable	Socket for 1 piston detector	Socket for 2 piston detectors	Type of connection
without		1x			1x (4-core)			1A1.10
without			1x		1x (4-core)			1A5.14
without		1x						1A1.01
without	1x	1x			1x (4-core)			1A1.10
without	1x	2x			1x (4-core)			2A1.10
without	1x	2x						2A1.01
V 10 to V 13, H		1x			1x (4-core)			1A1.10
V 10 to V 13, H	1x	2x			1x (4-core)			2A1.10
V 10 to V 13, H			1x		1x (4-core)			1A5.14
V 10 to V 13, H	1x		1x		1x 4-core)			1A5.14
V 10 to V 13, H		2x			1x (4-core)			2A1.10
V 10 to V 13, H		1x	1x		1x (6-core)			2A7.16
V 10 to V 13, H			1x		1x (6-core)			1A7.16
V 10 to V 13, H		1x						1A1.01
V 10 to V 13, H	1x	2x						2A1.01
V 10 to V 13, H		2x						1A1.01
M 08 to M 23	1x		1x		1x (5-core)	1x		2 A6.15
M 08 to M 23	1x		1x		1x (5-core)		1x	2 A6.15
M 08 to M 23	1x	1x	1x		1x (5-core)	1x		3A6.15
M 08 to M 23	1x	1x	1x		1x (5-core)		1x	3A6.15



6001a02

IMPORTANT

The pump part numbers listed here are only an extract of the standard pump program. Special pumps or customized pumps are not listed, however, may be included by chance.

Pump P 203 DC without control p.c.b.

Reservoir for grease without low-level control; 10 m connecting cable

2 Litre

Model 12 VDC	Part no.	Model 24 VDC	Part no.
P203-2XN-1K6-12-1A1.10	644-37456-1	P203-2XN-1K5-24-1A1.10	644-37422-1
		P203-2XN-1K6-24-1A1.10	644-37444-1
		P203-2XN-3K6-24-1A1.10	644-37441-1
		P203-2XN-1K7-24-1A1.10	644-37519-1
		P203-2XN-2K7-24-1A1.10	644-40640-1

2 Litre, flat-type reservoir

Model 12 VDC	Part no.	Model 24 VDC	Part no.
P203-2XNFL-1K6-12-1A1.10	644-37502-1		

2 Litre, with reservoir lid

Model 24 VDC	Part no.
P203-2XNBO-1K6-24-1A1.10	644-40608-2
P203-2XNBO-2K6-24-1A1.10	644-40608-1
P203-2XNBO-1K7-24-1A1.10	644-40608-9

4 Litre, with reservoir lid

Model 24 VDC	Part no.
P203-4XNBO-1K6-24-1A1.10	644-37486-1
P203-4XNBO-1K7-24-1A1.10	644-37494-1

4 Litre, with reservoir lid, chisel paste

Model 24 VDC	Part no.
P203-4XNBO-1C7-24-1A1.10	644-37597-8

8 Litre, with reservoir lid

Model 24 VDC	Part no.
P203-8XNBO-1K6-24-1A1.10	644-37483-1
P203-8XNBO-3K6-24-1A1.10	644-40645-5
P203-8XNBO-1K7-24-1A1.10	644-40645-6
P203-8XNBO-3K7-24-1A1.10	644-40645-8

8 Litre, with reservoir lid, chisel paste

Model 24 VDC	Part no.
P203-8XNBO-2C7-24-1A1.10	644-40645-9

Reservoir for grease without low-level control; with connecting plug

2 Litre

Model 12 VDC	Part no.	Model 24 VDC	Part no.
P203-2XN-2K6-12-1A1.01	644-40732-8	P203-2XN-2K5-24-1A1.01	644-40613-4
		P203-2XN-1K6-24-1A1.01	644-40613-5
		P203-2XN-2K6-24-1A1.01	644-40613-1
		P203-2XN-3K6-24-1A1.01	644-40520-4
		P203-2XN-1K7-24-1A1.01	644-40520-2
		P203-2XN-3K7-24-1A1.01	644-40613-3

2 Litre, with reservoir lid

Model 12 VDC	Part no.	Model 24 VDC	Part no.
P203-2XNBO-1K5-12-1A1.01	644-40583-1	P203-2XNBO-1K5-24-1A1.01	644-40540-2
		P203-2XNBO-1K6-24-1A1.01	644-40540-1
		P203-2XNBO-2K6-24-1A1.01	644-40540-8
		P203-2XNBO-3K6-24-1A1.01	644-40540-7
		P203-2XNBO-1K7-24-1A1.01	644-40540-6
		P203-2XNBO-2K7-24-1A1.01	644-40583-9
		P203-2XNBO-3K7-24-1A1.01	644-40583-4

Pump P 203 DC without control p.c.b., continuation

Reservoir for grease without low-level control; with connecting plug, continuation

4 Litre, with reservoir lid

Model 24 VDC	Part no.
P203-4XNBO-1K5-24-1A1.01	644-40581-4
P203-4XNBO-1K6-24-1A1.01	644-40581-8
P203-4XNBO-2K6-24-1A1.01	644-40597-7
P203-4XNBO-1K7-24-1A1.01	644-40581-2
P203-4XNBO-3K7-24-1A1.01	644-40600-1
P203-4XNBO-2K7-24-1A1.01	644-40581-3
P203-4XNBO-3K6-24-1A1.01	644-40600-4
P203-4XNBO-2K5-24-1A1.01	644-40549-7
P203-4XNBA-3K6-24-1A1.01	644-40703-9

8 Litre, with reservoir lid

Model 12 VDC	Part no.	Model 24 VDC	Part no.
P203-8XNBO-1K6-12-1A1.01	644-40770-9	P203-8XNBO-3K5-24-1A1.01	644-40615-7
		P203-8XNBO-1K6-24-1A1.01	644-40550-1
		P203-8XNBO-3K6-24-1A1.01	644-40666-7
		P203-8XNBO-1K7-24-1A1.01	644-40615-1
		P203-8XNBO-2K7-24-1A1.01	644-40615-8
		P203-8XNBO-3K7-24-1A1.01	644-40615-5

Reservoir for grease with low-level control; 10 m connecting cable

2 Litre

Model 24 VDC	Part no.
P203-2XL-1K6-24-2A1.10	644-37478-1
P203-2XL-1K7-24-2A1.10	644-37487-1
P203-2XL-3K6-24-2A1.10	644-40640-3

2 Litre, filling from the tip

Model 24 VDC	Part no.
P203-2XLBO-1K6-24-2A1.10	644-40608-7
P203-2XLBO-1K7-24-2A1.10	644-40608-6

4 Litre, with reservoir lid

Model 24 VDC	Part no.
P203-4XLBO-1K6-24-2A1.10	644-37515-1
P203-4XLBO-2K7-24-2A1.10	644-37597-9
P203-4XLBO-3K5-24-1A1.01	644-40581-7
P203-4XLBO-3K7-24-2A1.01	644-40600-5
P203-4XLBO-3K5-24-2A1.01	644-40549-4
P203-4XLBO-2K7-24-2A1.01	644-40549-8
P203-4XLBO-2K6-24-2A1.01	644-40549-9

8 Litre

Model 24 VDC	Part no.
P203-8XLBO-1K6-24-2A1.10	644-37491-1
P203-8XLBO-1K7-24-2A1.10	644-40645-3

Pump P 203 DC without control p.c.b., continuation

Reservoir for grease with low-level control; connecting plug

2 Litre

Model 24 VDC	Part no.
P203-2XL-3K5-24-2A1.01	644-40613-7
P203-2XL-1K6-24-2A1.01	644-40613-2
P203-2XL-1K7-24-2A1.01	644-40520-5

2 Litre, with reservoir lid

Model 24 VDC	Part no.
P203-2XLBO-1K5-24-2A1.01	644-40664-6
P203-2XLBO-1K6-24-2A1.01	644-40540-3
P203-2XLBO-1K7-24-2A1.01	644-40540-9
P203-4XLBO-3K6-24-2A1.01	644-40581-5
P203-4XLBO-2K5-24-2A1.01	644-40581-6
P203-2XLBO-3K6-24-2A1.01	644-40851-8
P203-2XLBO-1KR-24-2A1.01	644-40851-4
P203-2XLBO-2KR-24-2A1.01	644-40851-5

4 Litre, with reservoir lid

Model 24 VDC	Part no.
P203-4XLBO-1K6-24-2A1.01	644-40549-2
P203-4XLBO-1K7-24-2A1.01	644-40549-5
P203-4XLBO-3K6-24-2A1.01	644-40581-5

8 Litre, with reservoir lid

Model 24 VDC	Part no.
P203-8XLBO-2K5-24-2A1.01	644-40615-2
P203-8XLBO-3K6-24-2A1.01	644-40666-4
P203-8XLBO-1K7-24-2A1.01	644-40550-4
P203-8XLBO-2K7-24-2A1.01	644-40666-1
P203-8XLBO-3K7-24-2A1.01	644-40666-6
P203-8XLBO-3K5-24-2A1.01	644-40550-5
P203-8XLBO-2K6-24-2A1.01	644-40550-6
P203-8XLBO-1K6-24-2A1.01	644-40550-7
P203-8XLBA-1K6-24-2A1.01	644-40861-1

Reservoir for oil without low-level control; 10 m connecting cable

2 Litre, with reservoir lid

Model 24 VDC	Part no.
P203-2YNBO-1K7-24-1A1.10	644-40608-8
P203-2YNBO-1K6-24-1A1.10	644-40608-4
P203-2YNBO-3K6-24-1A1.10	644-40776-2

4 Litre, with reservoir lid

Model 12 VDC	Part no.	Model 24 VDC	Part no.
P203-4YNBO-1K6-12-1A1.10	644-40597-3	P203-4YNBO-1K5-24-1A1.10	644-40597-4
P203-4YNBO-1K7-12-1A1.10	644-40597-2	P203-4YNBO-2K5-24-1A1.10	644-40597-6
		P203-4YNBO-1K6-24-1A1.10	644-40597-5

Model 24 VDC	Part no.
P203-8YNBO-2KR-24-1A1.10	644-40645-7

Pump P 203 DC without control p.c.b., continuation

Reservoir for oil without low-level control; connecting plug

4 Litre, with reservoir lid

Model 24 VDC	Part no.
P203-4YNBO-1K5-24-1A1.01	644-40581-9
P203-4YNBO-1K6-24-1A1.01	644-40633-7
P203-4YNBO-2K6-24-1A1.01	644-40633-8
P203-4YNBO-1K7-24-1A1.01	644-40633-3

8 Litre, with reservoir lid

Model 24 VDC	Part no.
P203-8YNBO-1K5-24-1A1.01	644-40615-9
P203-8YNBO-1K6-24-1A1.01	644-40550-9
P203-8YNBO-1K7-24-1A1.01	644-40615-4
P203-8YNBO-1K7-24-1A1.01	644-40615-4
P203-8YNBO-1KR-24-1A1.01	644-40861-7

Reservoir for oil with low-level control; 10 m connecting cable

2 Litre, with reservoir lid

Model 24 VDC	Part no.
P203-2YLBO-1K6-24-2A1.10	644-40608-4

4 Litre, with reservoir lid

Model 24 VDC	Part no.
P203-4YLBO-1K6-24-1A1.10	644-40597-1

8 Litre, with reservoir lid

Model 24 VDC	Part no.
P203-8YLBO-1K6-24-1A1.10	644-40645-2
P203-8YLBO-1K7-24-1A1.10	644-40645-1

Reservoir for oil with low-level control; connecting plug

2 Litre, with reservoir lid

Model 24 VDC	Part no.
P203-2YLBO-1K6-24-2A1.01	644-40583-3

4 Litre, with reservoir lid

Model 24 VDC	Part no.
P203-4YLBO-1K7-24-1A1.01	644-40600-9
P203-4YLBO-2K7-24-1A1.01	644-40600-6
P203-4YLBO-3K5-24-1A1.01	644-40600-7

8 Litre, with reservoir lid

Model 24 VDC	Part no.
P203-8YLBO-1K6-24-1A1.01	644-40550-8
P203-8YLBO-1K7-24-1A1.01	644-40666-5
P203-8YLBO-2K7-24-1A1.01	644-40666-3

Pump P 203 AC without control p.c.b.

Reservoir for grease without low-level control; AC; connecting plug

2 Litre, with reservoir lid

Model 230 AC	Part no.
P203-2XNBO-3K6-AC-1A1.01	644-40782-1

4 Litre, with reservoir lid

Model 230 AC	Part no.
P203-4XNBO-1K6-AC-1A1.01	644-40718-7

8 Litre, with reservoir lid

Model 230 AC	Part no.
P203-8XNBO-1K6-AC-1A1.01	644-40721-9
P203-8XNBO-3K7-AC-1A1.01	644-40808-8

Reservoir for grease with low-level control; AC; connecting plug

2 Litre

Model 230 AC	Part no.
P203-2XL-1K6-AC-1A1.01	644-40717-1
P203-2XL-1K6-AC-2A1.01	644-40849-3

4 Litre, with reservoir lid

Model 230 AC	Part no.
P203-4XLBO-1K6-AC-2A1.01	644-40718-1

8 Litre, with reservoir lid

Model 230 AC	Part no.
P203-8XLBO-1K6-AC-2A1.01	644-40721-5

Reservoir for oil without low-level control; AC; connecting plug

2 Litre, with reservoir lid

Model 230 AC	Part no.
P203-2YNBO-1KR-AC-1A1.01	644-40849-7

8 Litre

Model 230 AC	Part no.
P203-8YNBO-1K5-AC-1A1.01	644-40808-4

Reservoir for oil with low-level control; AC; connecting plug

8 Litre

Model 230 AC	Part no.
P203-8YLB0-2K7-AC-1A1.01	644-40666-9

Pump P 203 DC with control p.c.b. V10-V13

Reservoir for grease without low-level control;V10-V13 p.c.b.; 10 m connecting cable

2 Litre

Model 12 VDC

Model	Part no.
P203-2XN-1K6-12-1A1.10-V10	644-37423-1
P203-2XN-1K6-12-2A1.10-V10	644-37425-1

Model 24 VDC

Model	Part no.
P203-2XN-1K6-24-1A1.10-V10	644-37424-1
P203-2XN-1K6-24-2A1.10-V10	644-37426-1
P203-2XN-1K7-24-2A1.10-V10	644-40657-6
P203-2XN-2K7-24-2A1.10-V10	644-40601-2
P203-2XN-1K6-24-1A1.10-V11	644-40601-3
P203-2XN-2K6-24-1A1.10-V10	644-40601-4
P203-2XN-1K6-24-2A1.10-V12	644-40601-6
P203-2XN-1K6-24-1A1.10-V12	644-40601-9
P203-2XN-1K6-24-1A1.10-V11	644-40874-1
P203-2XN-1K6-24-1A7.16-V10	644-40874-5

2 Litre, with reservoir lid

Model 12 VDC

Model	Part no.
P203-2XNBO-1K5-12-1A1.10-V10	644-40636-5

Model 24 VDC

Model	Part no.
P203-2XNBO-1K5-24-1A1.10-V10	644-40636-3
P203-2XNBO-1K6-24-1A1.10-V10	644-37510-1
P203-2XNBO-1K6-24-2A1.10-V10	644-37514-1
P203-2XNBO-1K6-24-2A1.10-V13	644-40636-7
P203-2XNBO-1K6-24-1A1.10-V13	644-40636-8
P203-2XNBO-1K7-24-1A1.10-V10	644-40636-6
P203-2XNBO-1K7-24-2A1.10-V10	644-40636-2
P203-2XNBO-3K6-24-1A1.10-V10	644-40772-6

2 Litre, flat-type reservoir

Model 24 VDC

Model	Part no.
P203-2XNFL-1K6-24-1A1.10-V10	644-37470-1
P203-2XNFL-1K6-24-2A1.10-V10	644-37471-1

4 Litre, with reservoir lid

Model 12 VDC

Model	Part no.
P203-4XNBO-1K6-12-1A1.10-V10	644-40599-1
P203-4XNBO-1K6-12-2A1.10-V10	644-37501-1
P203-4XNBO-1K7-12-2A1.10-V10	644-40599-7

Model 24 VDC

Model	Part no.
P203-4XNBO-1K6-24-1A1.10-V10	644-37481-1
P203-4XNBO-1K6-24-2A1.10-V10	644-37480-1
P203-4XNBO-2K6-24-2A1.10-V10	644-37499-6
P203-4XNBO-1K7-24-1A1.10-V10	644-40662-3
P203-4XNBO-3K7-24-1A1.10-V10	644-40599-8
P203-4XNBO-1K7-24-2A1.10-V10	644-40662-1
P203-4XNBO-3K6-24-1A1.10-V10	644-40753-4
P203-4XNBO-1K5-24-1A1.10-V11	644-40860-3

8 Litre, with reservoir lid

Model 12 VDC

Model	Part no.
P203-8XNBO-1K6-12-1A1.10-V10	644-40683-2
P203-8XNBO-1K6-12-2A1.10-V10	644-40683-1
P203-8XNBO-2K7-12-1A1.10-V10	644-40683-7

Model 24 VDC

Model	Part no.
P203-8XNBO-1K5-24-2A1.10-V10	644-40683-5
P203-8XNBO-1K6-24-1A1.10-V10	644-37475-1
P203-8XNBO-1K6-24-2A1.10-V10	644-37474-1
P203-8XNBO-2K6-24-1A1.10-V10	644-40610-3
P203-8XNBO-1K7-24-1A1.10-V10	644-37534-1
P203-8XNBO-2K7-24-1A1.10-V10	644-40683-3
P203-8XNBO-3KR-24-1A1.10-V10	644-40683-6

8 Litre

Model 24 VDC

Model	Part no.
P203-8XN-1K6-24-1A1.10-V10	644-40969-1
P203-8XN-1K6-24-2A1.10-V10	644-40969-2

Pump P 203 DC with control p.c.b. V10-V13, continuation

Reservoir for grease without low-level control;V10-V13 p.c.b.; connecting plug

2 Litre

Model 12 VDC

P203-2XN-1K6-12-2A1.01-V10

Part no.

644-40563-9

Model 24 VDC

P203-2XN-1K5-24-1A1.01-V10

P203-2XN-1K6-24-1A1.01-V10

P203-2XN-1K6-24-2A1.01-V10

P203-2XN-1K6-24-1A1.01-V12

P203-2XN-1K7-24-1A1.01-V10

P203-2XN-1K7-24-2A1.01-V10

P203-2XN-2K5-24-1A1.01-V11

Part no.

644-40563-5

644-40563-2

644-40670-3

644-40670-1

644-40670-9

644-40670-4

644-40563-6

2 Litre, with reservoir lid

Model 24 VDC

P203-2XNBO-1K6-24-1A1.01-V10

P203-2XNBO-3K6-24-1A1.01-V10

P203-2XNBO-1K7-24-1A1.01-V10

P203-2XNBO-1K7-24-2A1.01-V10

P203-2XNBO-2K7-24-1A1.01-V10

P203-2XNBO-1K7-24-2A1.01-V12

P203-2XNBO-2K6-24-1A1.01-V10

Part no.

644-40565-1

644-40641-3

644-37565-4

644-37565-5

644-40641-1

644-40565-3

644-40817-9

4 Litre, with reservoir lid

Model 24 VDC

P203-4XNBO-1K5-24-1A1.01-V10

P203-4XNBO-1K6-24-1A1.01-V10

P203-4XNBO-2K6-24-1A1.01-V10

P203-4XNBO-1K6-24-1A1.01-V13

P203-4XNBO-1K7-24-1A1.01-V10

P203-4XNBO-1K7-24-1A1.01-V12

P203-4XNBO-1K7-24-2A1.01-V10

Part no.

644-40586-6

644-40650-8

644-40586-9

644-40650-3

644-40586-4

644-40586-2

644-40650-5

4 Litre

Model 24 VDC

P203-4XN-1K6-24-1A1.10-V10

Part no.

644-40860-5

8 Litre

Model 24 VDC

P203-8XNBO-1K6-24-2A1.01-V10

P203-8XNBO-1K7-24-1A1.01-V10

P203-8XNBO-1K7-24-1A1.01-V12

P203-8XNBO-1K7-24-2A1.01-V10

P203-8XNBO-2K7-24-1A1.01-V10

P203-8XNBO-3K7-24-1A1.01-V10

P203-8XNBO-2K6-24-2A1.10-V10

P203-8XNBO-3K6-24-1A1.10-V10

P203-8XNBA-1K6-24-2A1.10-V10

P203-8XNBA-1C7-24-2A1.10-V10

Part no.

644-40594-9

644-40594-8

644-40594-7

644-40594-4

644-40691-1

644-40594-1

644-40833-8

644-40833-5

644-46102-7

644-46208-5

Pump P 203 DC with control p.c.b. V10-V13, continuation

Reservoir for grease with low-level control; V10-V13 p.c.b.; 10 m connecting cable

2 Litre

Model 12 VDC

P203-2XL-1K6-12-2A1.10-V10

Part no.

644-40601-5

Model 24 VDC

P203-2XL-1K6-24-2A1.10-V10

P203-2XL-3K6-24-2A1.10-V10

Part no.

644-37460-1

644-40874-2

2 Litre, with reservoir lid

Model 24 VDC

P203-2XLBO-1K6-24-2A1.10-V10

P203-2XLBO-1K7-24-2A1.10-V10

Part no.

644-40636-1

644-40636-4

4 Litre, with reservoir lid

Model 24 VDC

P203-4XLBO-1K5-24-2A1.10-V10

P203-4XLBO-1K6-24-2A1.10-V10

P203-4XLBO-1K7-24-2A1.10-V10

Part no.

644-37599-2

644-37516-1

644-37599-5

8 Litre, with reservoir lid

Model 12 VDC

P203-8XLBO-1K6-24-2A1.10-V10

P203-8XLBO-3K6-24-2A1.10-V10

Part no.

644-37455-1

644-40683-8

Model 24 VDC

P203-8XLBO-2K7-24-2A1.10-V11

P203-8XLBO-3K6-24-2A1.10-V11

P203-8XLBO-3K7-24-2A1.10-V10

P203-8XLBO-1K6-24-2A1.10-V10

Part no.

644-40610-5

644-40610-6

644-40610-1

644-40610-2

Reservoir for grease with low-level control; V10-V13 p.c.b.; connecting plug

2 Litre

Model 12 VDC

P203-2XL-1K6-12-2A1.10-V10

Part no.

644-37460-5

Model 24 VDC

P203-2XL-1K6-24-2A1.01-V10

P203-2XL-2K7-24-2A1.01-V10

P203-2XL-1K6-24-2A1.01-V13

Part no.

644-40563-4

644-40563-1

644-40109-8

2 Litre, with reservoir lid

Model 24 VDC

P203-2XLBO-1K6-24-2A1.01-V10

P203-2XLBO-2K6-24-2A1.01-V10

P203-2XLBO-1K7-24-2A1.01-V10

Part no.

644-40641-4

644-40641-6

644-40670-6

4 Litre, with reservoir lid

Model 24 VDC

P203-4XLBO-1K6-24-2A1.01-V10

P203-4XLBO-1K7-24-2A1.01-V10

P203-4XLBO-1K7-24-2A1.01-V12

P203-4XLBO-1K7-24-2A1.01-V13

Part no.

644-40586-5

644-40586-3

644-40586-1

644-40586-7

8 Litre, with reservoir lid

Model 24 VDC

P203-8XLBO-1K6-24-2A1.01-V10

P203-8XLBO-1K7-24-2A1.01-V10

P203-8XLBO-2K7-24-2A1.01-V10

P203-8XLBO-3K7-24-2A1.01-V10

Part no.

644-40691-3

644-40594-6

644-40594-3

644-40594-5

Pump P 203 DC with control p.c.b. V10-V13, continuation

Reservoir for grease without low-level control; V10-V13 p.c.b.; 10 m connecting cable, ADR

2 Litre

Model 12 VDC

P203-2XN-1K6-12-1A1.11-V10-ADR

Part no.

644-37446-1

Model 24 VDCP203-2XN-1K6-24-1A1.11-V10-ADR 644-37447-1
P203-2XN-1K6-24-2A1.11-V10-ADR 644-37454-1**Part no.**

2 Litre, with reservoir lid

Model 12 VDC

P203-2XNBO-1K6-12-1A1.11-V10-ADR

Part no.

644-37454-1

Reservoir for oil without low-level control; V10-V13 p.c.b.; 10 m connecting cable

2 Litre, with reservoir lid

Model 24 VDCP203-2YNBO-1K6-24-1A1.10-V10 644-37468-1
P203-2YNBO-1K6-24-2A1.10-V10 644-37499-1
P203-2YNBO-1K7-24-2A1.10-V10 644-37497-1**Part no.**

4 Litre, with reservoir lid

Model 24 VDC

P203-4YNBO-1K6-24-1A1.10-V10 644-40662-2

Part no.

Reservoir for oil without low-level control; V10-V13 p.c.b.; connecting plug

2 Litre, with reservoir lid

Model 24 VDCP203-2YNBO-1K6-24-1A1.01-V10 644-40641-2
P203-2YNBO-1K6-24-2A1.01-V10 644-40641-9
P203-2YNBO-1K7-24-1A1.01-V10 644-40641-5
P203-2YNBO-2K6-24-1A1.01-V10 644-40565-7
P203-2YNBO-3K6-24-1A1.01-V10 644-40717-4**Part no.**

4 Litre

Model 24 VDC

P203-4XLBO-3K6-24-2A1.01-V10 644-40662-8

Part no.

8 Litre, with reservoir lid

Model 24 VDC

P203-8YNBO-1K7-24-1A1.01-V10 644-40594-2

Part no.

Pump P 203 DC with control p.c.b. V10-V13, continuation

Reservoir for oil with low-level control; V10-V13 p.c.b.; 10 m connecting cable

2 Litre, with reservoir lid

Model 24 VDC	Part no.
P203-2YLBO-1K6-24-2A1.01-V10	644-40641-5
P203-2YLBO-1K6-24-2A1.01-V11	644-40641-7

4 Litre, with reservoir lid

Model 24 VDC	Part no.
P203-4YLBO-1K6-24-2A1.10-V10	644-40599-4
P203-4YLBO-1K7-24-2A1.10-V10	644-40599-3

Reservoir for oil with low-level control; V10-V13 p.c.b.; connecting plug

2 Litre, with reservoir lid

Model 24 VDC	Part no.
P203-2YLBO-3K6-24-1A1.01-V10	644-40817-3

4 Litre, with reservoir lid

Model 24 VDC	Part no.
P203-4YLBO-2K6-24-2A1.01-V10	644-40650-4

8 Litre, with reservoir lid

Model 24 VDC	Part no.
P203-8YLBO-2K6-24-2A1.01-V10	644-40691-2
P203-8YLBO-1K7-24-2A1.01-V10	644-40691-4
P203-8YLBO-3K6-24-1A1.01-V10	644-40727-2

Pump P 203 AC with control p.c.b. V10-V13

Reservoir for grease without low-level control; V10-V13 p.c.b.; AC; connecting plug

2 Litre

Model 230 AC	Part no.
P203-2XN-1K6-AC-1A1.01-V10	644-40716-1

2 Litre, with reservoir lid

Model 230 AC	Part no.
P203-2XNBO-1K6-AC-1A1.01-V10	644-40716-2

4 Litre, with reservoir lid

Model 230 AC	Part no.
P203-4XNBO-1K6-AC-1A1.01-V10	644-40719-5

8 Litre, with reservoir lid

Model 230 AC	Part no.
P203-8XNBO-1K6-AC-1A1.01-V10	644-40720-1

Pump P 203 AC with control p.c.b. V10-V13, continuation

Reservoir for grease without low-level control; V10-V13 p.c.b.; AC; connecting plug

2 Litre

Model 230 AC	Part no.
P203-2XN-1K6-AC-1A1.01-V10	644-40716-1

2 Litre, with reservoir lid

Model 230 AC	Part no.
P203-2XNBO-1K6-AC-1A1.01-V10	644-40716-2

4 Litre, with reservoir lid

Model 230 AC	Part no.
P203-4XNBO-1K6-AC-1A1.01-V10	644-40719-5

8 Litre, with reservoir lid

Model 230 AC	Part no.
P203-8XNBO-1K6-AC-1A1.01-V10	644-40720-1

Reservoir for grease with low-level control; V10-V13 p.c.b.; AC; connecting plug

2 Litre

Model 230 AC	Part no.
P203-2XLBO-1K7-AC-2A1.01-V10	644-40845-6

4 Litre, with reservoir lid

Model 230 AC	Part no.
P203-4XLBO-1K6-AC-2A1.01-V10	644-40799-1
P203-4XLBO-3K6-AC-2A1.01-V10	644-40719-8

8 Litre, with reservoir lid

Model 230 AC	Part no.
P203-8XLBO-1K6-AC-2A1.01-V10	644-40762-2

Reservoir for oil without low-level control; V10-V13 p.c.b.; AC; connecting plug

2 Litre, with reservoir lid

Model 230 AC	Part no.
P203-2YNBO-3K6-AC-1A1.01-V10	644-40834-4

Reservoir for oil with low-level control; V10-V13 p.c.b.; AC; connecting plug

2 Litre, with reservoir lid

Model 230 AC	Part no.
P203-2YLBO-3K6-AC-1A1.01-V10	644-40834-3

Pump P 203 DC with control p.c.b. M08-M23

Reservoir for grease without low-level control; M08-M23 p.c.b.; 10 m connecting cable

2 Litre

Model 12 VDC	Part no.	Model 24 VDC	Part no.
		P203-2XN-1K6-24-2A6.15-M09	644-40709-9

2 Litre, with reservoir lid

Model 12 VDC	Part no.	Model 24 VDC	Part no.
P203-2XNBO-1K6-12-2A6.15-M08	644-40821-3	P203-2XNBO-1K6-24-2A6.15-M13	644-40821-5

4 Litre, with reservoir lid

Model 12 VDC	Part no.	Model 24 VDC	Part no.
P203-4XNBO-1K6-12-2A6.15-M08	644-40919-1		

8 Litre, with reservoir lid

Model 24 VDC	Part no.
P203-8XNBO-1K7-24-2A6.15-M08	644-40822-9

Reservoir for grease with low-level control; M08-M23 p.c.b.; 10 m connecting cable

4 Litre, with reservoir lid

Model 12 VDC	Part no.	Model 24 VDC	Part no.
P203-4XLBO-1K6-12-2A6.15-M16	644-40843-9	P203-4XLBO-1K7-24-2A6.15-M08	644-40919-2
P203-4XLBO-1K6-12-2A6.15-M08	644-40843-8		

8 Litre, with reservoir lid

Model 12 VDC	Part no.	Model 24 VDC	Part no.
P203-8XLBO-1K6-12-2A6.15-M16	644-40822-8		

Pump P 203 AC with control p.c.b. M08-M23

Reservoir for oil with low-level control; M08-M23 p.c.b.; AC; 10 m connecting cable

2 Litre

Model 230AC	Part no.
P203-2XL-1K6-AC-3A6.15-M08	644-40885-1

2 Litre, with reservoir lid

Model 230AC	Part no.
P203-2XLBO-1K6-AC-3A6.15-M08	644-46098-5
P203-2XLBO-2K6-AC-3A6.15-M17	644-40885-2

4 Litre

Model 230AC	Part no.
P203-4XLBO-1K7-AC-3A6.15-M08	644-40951-1

8 Litre

Model 230AC	Part no.
P203-8XLBO-1K6-AC-3A6.15-M08	644-40873-1

Subject to modification

Pump P 203 DC with control p.c.b. H

Reservoir for grease without low-level control; H p.c.b.; 10 m connecting cable

2 Litre

Model 12 VDC

P203-2XN-1K6-12-1A1.10-H

2 Litre, flat-type reservoir

Part no.

644-37406-1

Model 24 VDC

P203-2XN-1K5-24-1A1.10-H

P203-2XN-1K6-24-1A1.10-H

Part no.

644-37505-1

644-37407-1

Model 24 VDC

P203-2XNFL-1K6-24-1A1.10-H

Part no.

644-40601-1

Reservoir for grease without low-level control; H p.c.b.; 10 m connecting cable, ADR

2 Litre

Model 12 VDC

P203-2XN-1K6-12-1A1.11-H-ADR

4 Litre, with reservoir lid

Part no.

644-37408-1

Model 24 VDC

P203-2XN-1K6-24-1A1.11-H-ADR

Part no.

644-37409-1

Model 24 VDC

P203-4XNBO-1K6-24-1A1.11-H-ADR

Part no.

644-37504-1

Pump P 203 Reservoir Conversion sets

for 2 Litre reservoir

to 2 Litre flat-type reservoir

2XN to 2XNFL

to 4 Litre reservoir

2XN to 4XN

2XN to 4XNBO

2XN/XNBO to 4XBF

to 8 Litre reservoir

2XN to 8XN

2XL to 8XL

2XN to 8XNBO

2XN/XNBO to 8XBF

to 15 Litre reservoir

2XN to 15XN

Part. no.

544-32047-1

Part. no.

544-32787-1

544-32022-1

544-32588-1

Part. no.

544-32788-1

544-32885-1

544-32023-1

544-32587-1

Part. no.

544-32956-1

for 4 Litre reservoir

to 4 Litre reservoir with follower plate

4XNBO to 4XBF

to 15 Litre reservoir

4XN to 15XN

4XN to 15XL

4XN to 15XBF

Part. no.

544-32589-1

Part. no.

544-32956-1

544-32957-1

544-32958-1

for 8 Litre reservoir

to 8 Litre reservoir with follower plate

8XNBO to 8XBF

to 15 Litre reservoir

8XN to 15XN

8XN to 15XL

8XN to 15XBF

Part. no.

544-32590-1

Part. no.

544-32956-1

544-32957-1

544-32958-1



6001a02

NOTE

For XN-, XL-, XNBO-, XNFL- & XBF -
decoding see Identification Codes
page 19 ff.

Identification Code – DC Pump Models P 203, General without Control p.c.b. and with control p.c.b. V10-V13, H

Examples of model designations



6001a02

NOTE

Any pumps combinations other than the above standard pumps can be composed or ordered in accordance with the valid identification code.

P203	-	2	X	N	-	1	K6	-	24	-	1A	1.	10	-	V10	
P203	-	4	X	L	BO	-	1	KR	-	24	-	2A	1.	01	-	V12
P203	-	2	X	N	-	2	K5	-	12	-	1A	5.	14	-	H	
P203	-	8	X	N	BO	-	1	K6	-	24	-	1A	1.	10	-	
P203	-	4	Y	L	BO	-	1	K7	-	24	-	2A	1.	10	-	V20
P203	-	2	X	L	-	1	K6	-	24	-	1A	7.	16	-	V10	

Basic pump for grease or oil

With 1-3 outlets and DC motor

Reservoir design

2 = 2 l transparent plastic reservoir

4 = 4 l transparent plastic reservoir

8 = 8 l transparent plastic reservoir

15 = 15 l transparent plastic reservoir

X = reservoir for grease

Y = reservoir for oil

BF = follower plate ⁵⁾

N = standard design

L = low-level control ⁴⁾

Without designation = standard reservoir (2 liters)

BO = filling from top

FL = flat reservoir (only with 2 liter reservoir ant without low level control)

Pump elements

1-3 = number of used elements

K 5 = piston diameter = 5 mm

K 6 = piston diameter = 6 mm

K 7 = piston diameter = 7 mm

KR = adjustable pump element, piston diameter = 7 mm

C 7 = piston diameter = 7 mm ³⁾

B 7 = piston diameter = 7 mm (output of K5)

S 7 = piston diameter = 7 mm (suitable with grease based on silicon oil)

Supply voltage

12 V DC or 24 VDC (direct current motor)

Number of possible connections

1A = 1 connection (left), supply voltage ^{A) B)}

1A = 1 connection (left), supply voltage + illuminated pushbutton for additional lubrication, low-level control ^{D) 4)}

2A = 2 connections (left), supply voltage + illuminated pushbutton for additional lubrication (right), low-level control ^{A) 4)}

Type of connection

^{A)} 1 = square type plug (DIN 43650, type of construction A)

^{B)} 5 = bayonet plug (4- /3-pole) DIN 72585-1 (V10-V13, V20-V23)

^{D)} 7 = bayonet plug (7- /6-pole) DIN 72585-1 (V10-V13, V20-V23)

Connection outside of the pump

01 = with socket outlet, without cable ^{A)}

10 = with cable, length 10 m ^{A)}

14 = bayonet socket with 10 m cable, 4- / 3-core ^{B)}, V10-V13, H

16 = bayonet socket with 10 m cable, 7- / 6-core ^{D)},

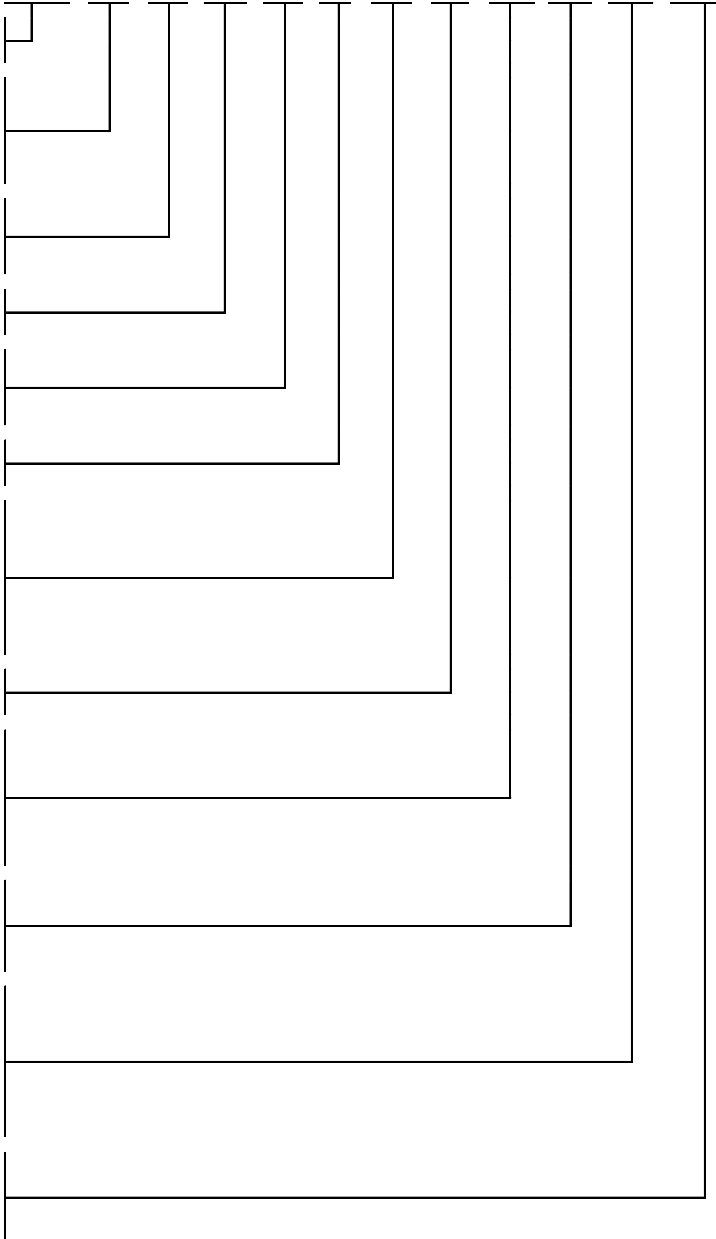
V10-V13, V20-V23, with low-level control and/or with illuminated pushbutton ⁴⁾

Control p.c.b. 12V / 24 V

V10-V13 = with variable pause time and lubricating time ^{A) B) D)}

H = for trailers or semitrailers ^{A) B)}

No designation = pump without control p.c.b. ^{A) B)}



^{A) B) D)} see "Type of connection"

²⁾ For transport of hazardous material

³⁾ C7 = Designation of pump elements (Chisel = Meißel) for supplying of chisel pastes

⁴⁾ Low-level control for oil; connection of low-level control for oil is not considered.

⁵⁾ Follower plate only possible with 4, 8 or 15 L reservoir

Subject to modification

Identification Code – AC Pump Models P 203, without Control p.c.b. and with control p.c.b. V10-V13, V20-V23

Examples of model designations



6001a02

NOTE

Any pumps combinations other than the above standard pumps can be composed or ordered in accordance with the valid identification code.

P203, P 203 UL ²⁾

Basic pump for grease or oil with 1-3 outlets and DC motor

Reservoir design

- 2 = 2 l transparent plastic reservoir
- 4 = 4 l transparent plastic reservoir
- 8 = 8 l transparent plastic reservoir
- 15 = 15 l transparent plastic reservoir

- X = reservoir for grease
- Y = reservoir for oil
- BF = Follower plate ⁵⁾

- N = standard design
- L = low-level control ⁴⁾

Without designation = standard reservoir (2 liters)

- BO = filling from top
- FL = flat reservoir (only with 2 liter reservoir ant without low level control, not available for oil)

Pump elements

1-3 = number of used elements

- K 5 = piston diameter = 5 mm
- K 6 = piston diameter = 6 mm
- K 7 = piston diameter = 7 mm
- KR = adjustable pump element, piston diameter = 7 mm
- B 7 = piston diameter = 7 mm (output of K5)
- S 7 = piston diameter = 7 mm (suitable with grease based on silicon oil)

Supply voltage

AC = 110-240 VAC ±10%
(50-60 Hz ±5% with 24 VDC direct current motor)

Number of possible connections

- 1A = 1 connection, supply voltage (only square type plug) left, bottom ¹⁾
- 2A = 2 connections, supply voltage (square type plug) left, bottom ¹⁾, low-level control (square type plug) ¹⁾ right, bottom
- 2A = 2 connections, supply voltage (square type plug) left, bottom ¹⁾, illuminated pushbutton + low-level control (bayonet plug) left, top ³⁾

Type of connection

- 1 = square type plug ¹⁾
- 7 = bayonet plug, 7-/ 6-pole ³⁾ (V10-V13, V20-V23)

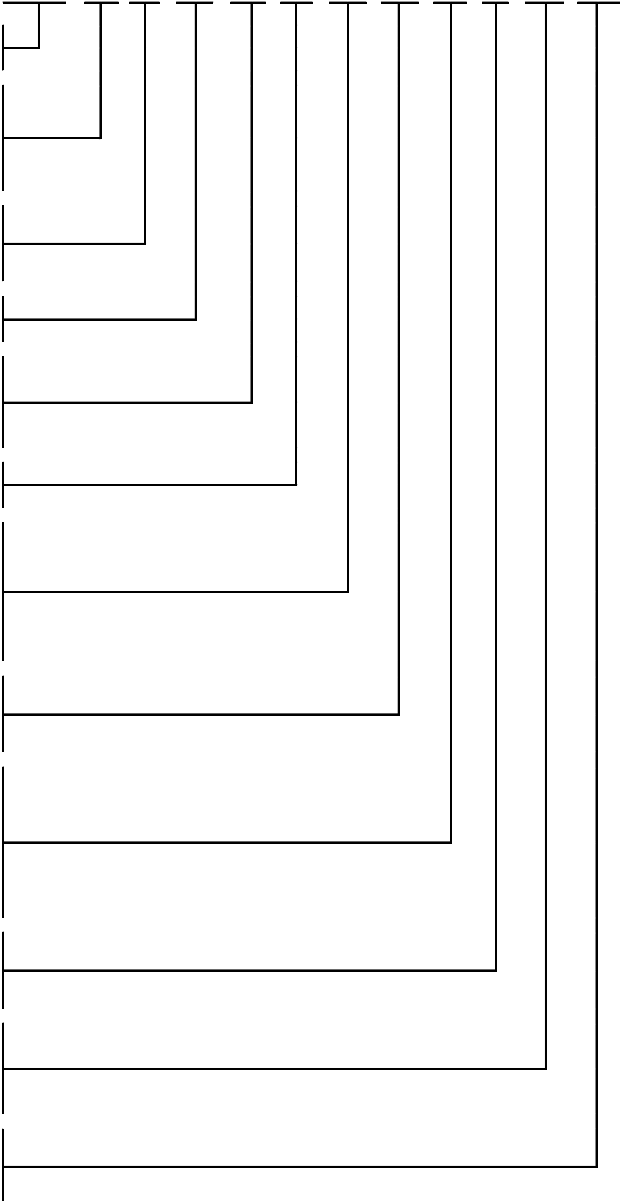
Connection outside of the pump

- 01 = with socket outlet, without cable ¹⁾, without control p.c.b.
- 16 = bayonet socket with 10 m cable, 7-/ 6-core ³⁾, V10-V13, V20-V23, connection for low-level control and illuminated pushbutton

Control p.c.b. 12V / 24 V

- V10-V13 = with variable pause time and lubricating time
- V20-V23 = with variable pause time and lubricating time ⁵⁾

P203	-	2	X	N	-	1	K6	-	AC	-	1A	1.	01	-	V10	
P203	-	4	X	L	BO	-	1	KR	-	AC	-	2A	1.	01	-	V12
P203	-	2	X	N	-	2	K5	-	AC	-	1A	1.	01			
P203	-	8	X	L	BO	-	1	K6	-	AC	-	2A	6.	16		
P203	-	4	Y	L	BO	-	1	K7	-	AC	-	1A	1.	01	-	V20
P203	-	2	X	L	-	1	K6	-	AC	-	2A	6.	16	-	V10	



¹⁾ Square type plug (DIN 43650), type of construction A
²⁾ UL-proved pumps 203 can only be ordered for the North American market
³⁾ Bayonet plug (DIN 72585-1)
⁵⁾ Follower plate only possible with 4, 8 or 15 L reservoir

Identification Code – DC Pump Models P203 with Control p.c.b. M08-M23

Examples of model designations



6001a02

NOTE

Any pumps combinations other the noted standard pumps can be composed and ordered in accordance with the valid model identification code.

P203 - 2 - X - L -	1 - K6 - 24 - 2A - 6. - 15 -	M10
P203 - 4 - X - L - BO	1 - KR - 24 - 2A - 6. - 15 -	M12
P203 - 2 - X - L -	2 - K5 - 12 - 2A - 6. - 15 -	M12
P203 - 8 - X - L - BO	1 - K6 - 24 - 2A - 6. - 15 -	M08
P203 - 4 - Y - L - BO - 1	- K7 - 12 - 2A - 6. - 15 -	M16
P203 - 2 - X - L -	- 1 - K6 - 24 - 2A - 6. - 15 -	M23

P203

Basic pump model for grease or oil
with 1-3 outlets and direct current motor

Reservoir design

- 2 = 2 l transparent plastic reservoir
- 4 = 4 l transparent plastic reservoir
- 8 = 8 l transparent plastic reservoir
- 15 = 15 l transparent plastic reservoir

- X = Reservoir for grease
- Y = Reservoir for oil
- BF = Follower plate ⁵⁾

⁵⁾ Follower plate only possible with 4, 8 or 15 L reservoir

- N = Standard design
- L = Low-level control

without designation = standard reservoir (2 liters)

- BO = filling from the top
- FL = flat reservoir (2 liters)

Pump elements

1-3 = Number of the used elements

- K 5 = Piston diameter = 5 mm
- K 6 = Piston diameter = 6 mm
- K 7 = Piston diameter = 7 mm
- KR = Pump element, adjustable, Piston diameter = 7 mm
- B7 = Piston diameter = 7 mm (output of K5)
- S7 = Piston diameter = 7 mm (suitable with grease based on silicon oil)

Supply voltage

- 12 = 12 VDC (direct current motor)
- 24 = 24 VDC (direct current motor)

Number of electric connecting possibilities (on pump housing only)

- 2A = 2 connections:
 - Supply voltage, illuminated pushbutton + low-level control ³⁾, left
 - Piston detector, right (if any)

²⁾ Piston detector, 4-pole

³⁾ Low-level control for oil: Connection of the low-level control not possible with the control p.c.b.

Type of connection

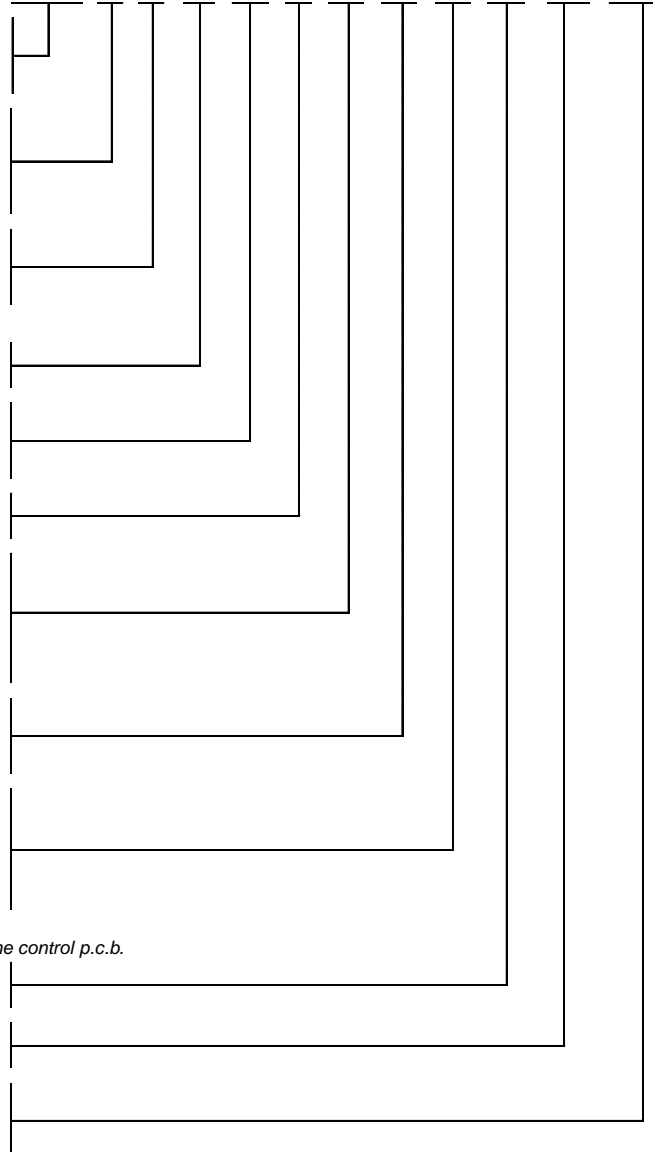
- 6 = Bayonet plug, 7- /5-pole, DIN 72585-1

Conneciton outside of the pump

- 15 = Bayonet socket with 10 m cable, 7/5-core

Control p.c.b. 12V / 24 V

- M08-M23 = with microprocessor control (various adjustments, see combination of the jumper-positions)



Identification Code – AC Pump Models P203 with Control p.c.b. M08-M23

Examples of model designations



6001a02

NOTE

Any pumps combinations other the noted standard pumps can be composed and ordered in accordance with the valid model identification code.

P203	-	2	-	X	-	L	-	1	-	K6	-	AC	-	3A	-	6	-	15	-	M08		
P203	-	4	-	X	-	L	-	BO	1	-	KR	-	AC	-	3A	-	6	-	15	-	M12	
P203	-	2	-	X	-	L	-		2	-	K5	-	AC	-	3A	-	6	-	15	-	M23	
P203	-	8	-	X	-	L	-	BO	1	-	K6	-	AC	-	3A	-	6	-	15	-	M09	
P203	-	4	-	Y	-	L	-	BO	1	-	K7	-	AC	-	3A	-	6	-	15	-	M20	
P203	-	2	-	X	-	L	-		-	1	-	K6	-	AC	-	3A	-	6	-	15	-	M10

P203

Basic pump model for grease or oil
with 1-3 outlets and direct current motor

Reservoir design

- 2 = 2 l transparent plastic reservoir
- 4 = 4 l transparent plastic reservoir
- 8 = 8 l transparent plastic reservoir
- 15 = 15 l transparent plastic reservoir

- X = Reservoir for grease
- Y = Reservoir for oil
- BF = Follower plate ⁵⁾

⁵⁾ Follower plate only possible with 4, 8 or 15 L reservoir.

L = Low-level control

without designation = standard reservoir (2 liters)

BO = filling from the top

FL = flat reservoir (2 liters, available only without low-level control)

Pump elements

1-3 = Number of the used elements

- K 5 = Piston diameter = 5 mm
- K 6 = Piston diameter = 6 mm
- K 7 = Piston diameter = 7 mm
- KR = Pump element, adjustable, Piston diameter = 7 mm
- B7 = Piston diameter = 7 mm (output of K5)

Supply voltage

AC = 110-240 VAC ±10% (50 - 60 Hz ±5% with 24 VDC direct current motor)

Number of electric connecting possibilities (on pump housing only)

3A = 3 connections:

- Supply voltage (only square type plug) ¹⁾ left, bottom
- Illuminated pushbutton + low-level control (bayonet plug) left, top
- Piston detector (bayonet plug) ²⁾ right, top

¹⁾ Square type plug (DIN 43650, type of construction A)

²⁾ Piston detector (bayonet plug), 4-pole

Type of connection

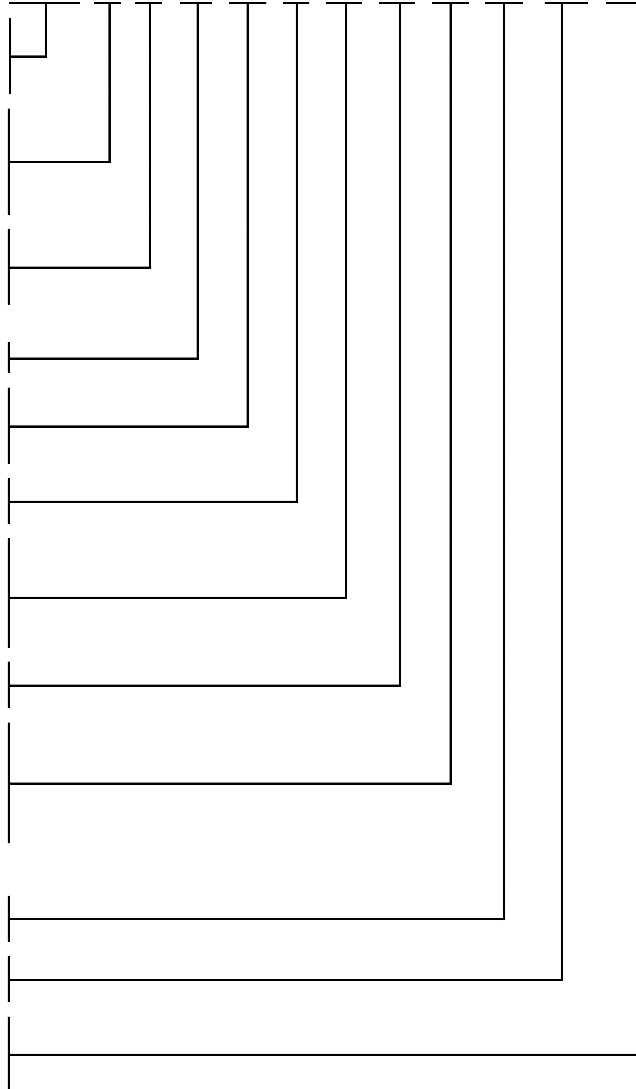
6 = Bayonet plug, 7/5-pole, DIN 72585-1

Connecton outside of the pump

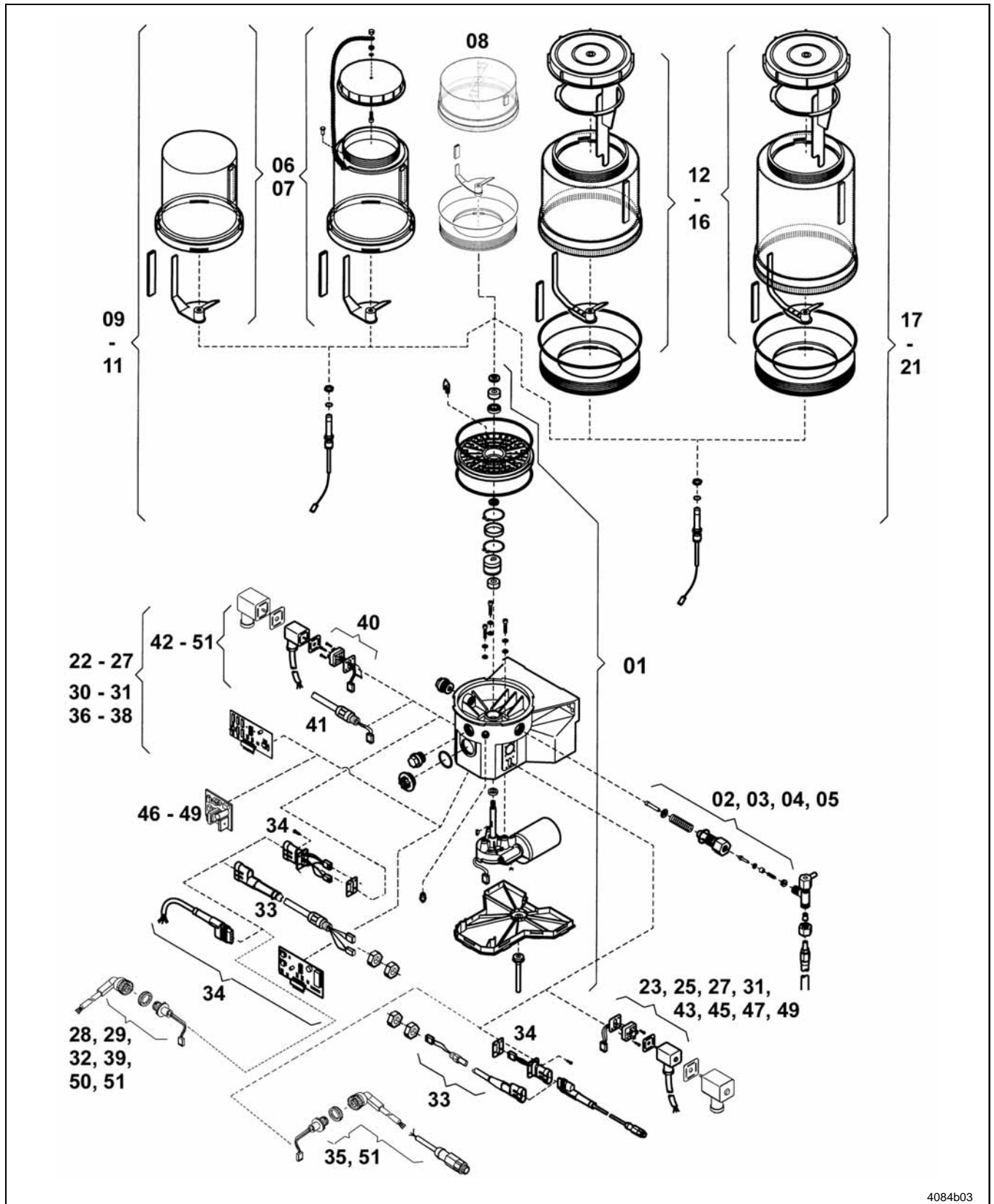
15 = Bayonet socket with 10 m cable, 7/5-core

Control p.c.b. 12V / 24 V

M08-M23 = with micorprocessor control (various adjustments, see combination of the jumper-positions)



Assemblies for pump model 203



4084b03

Subject to modification

Fig. 2 Assemblies for pump model 203, filling from top and bottom

Assemblies for pump model, continuation

Item	Designation of assembly
01	Lower part
02	Pump element K5
03	Pump element K6
04	Pump element K7, C7, S7
05	Pump element KR, B7, S7
06	Reservoir 2 XN
07	Reservoir 2 XNBO (2YNBO)
08	Reservoir 2 XNFL
09	Reservoir 2 XL
10	Reservoir 2 XLBO
11	Reservoir 2 YLBO
12	Reservoir 4 XN
13	Reservoir 4 XNBO (4YNBO)
14	Reservoir 4 XL
15	Reservoir 4 XLBO
16	Reservoir 4 YLBO
17	Reservoir 8 XN
18	Reservoir 8 XNBO (8YNBO)
19	Reservoir 8 XL
20	Reservoir 8 XLBO
21	Reservoir 8 YLBO
22	Type of connection and control 1A1. 00 - V10 - V13
23	Type of connection and control 2A1. 00 - V10 - V13
24	Type of connection and control 1A1. 01 - V10 - V13
25	Type of connection and control 2A1. 01 - V10 - V13
26	Type of connection and control 1A1. 10 - V10 - V13
27	Type of connection and control 2A1. 10 - V10 - V13
28	Type of connection and control 1A5. 14 - V10 - V13
29	Type of connection and control 1A7. 16 - V10 - V13
30	Type of connection and control 1A1. 11 - V10 - V13 - ADR
31	Type of connection and control 2A1. 11 - V10 - V13 - ADR
32	Type of connection and control 1A5. 17 - V10 - V13 - ADR
33	Type of connection and control 2A9. 13 - M08 - M23
34	Type of connection and control 2A4. 13 - M08 - M23
35	Type of connection and control 2A6. 15 - M08 - M23
36	Type of connection and control 1A1. 10 - H
37	Type of connection and control 1A5. 14 - H
38	Type of connection and control 1A1. 11 - H - ADR
39	Type of connection and control 1A5. 17 - H - ADR
40	Type of connection without control p.c.b. 1A1. 00
41	Type of connection without control p.c.b. 1A8. 00
42	Type of connection without control p.c.b. 1A1. 01
43	Type of connection without control p.c.b. 2A1. 01
44	Type of connection without control p.c.b. 1A1. 10
45	Type of connection without control p.c.b. 2A1. 10
46	Type of connection without control p.c.b. AC - 1A1. 01
47	Type of connection without control p.c.b. AC - 2A1. 01
48	Type of connection and control AC - 1A1. 01 - V10 - V13
49	Type of connection and control AC - 2A1. 01 - V10 - V13
50	Type of connection and control AC - 2A7. 16 - V10 - V13
51	Type of connection and control AC - 3A6. 15 - M08 - M23

(available only as spare part)
(available only as spare part)

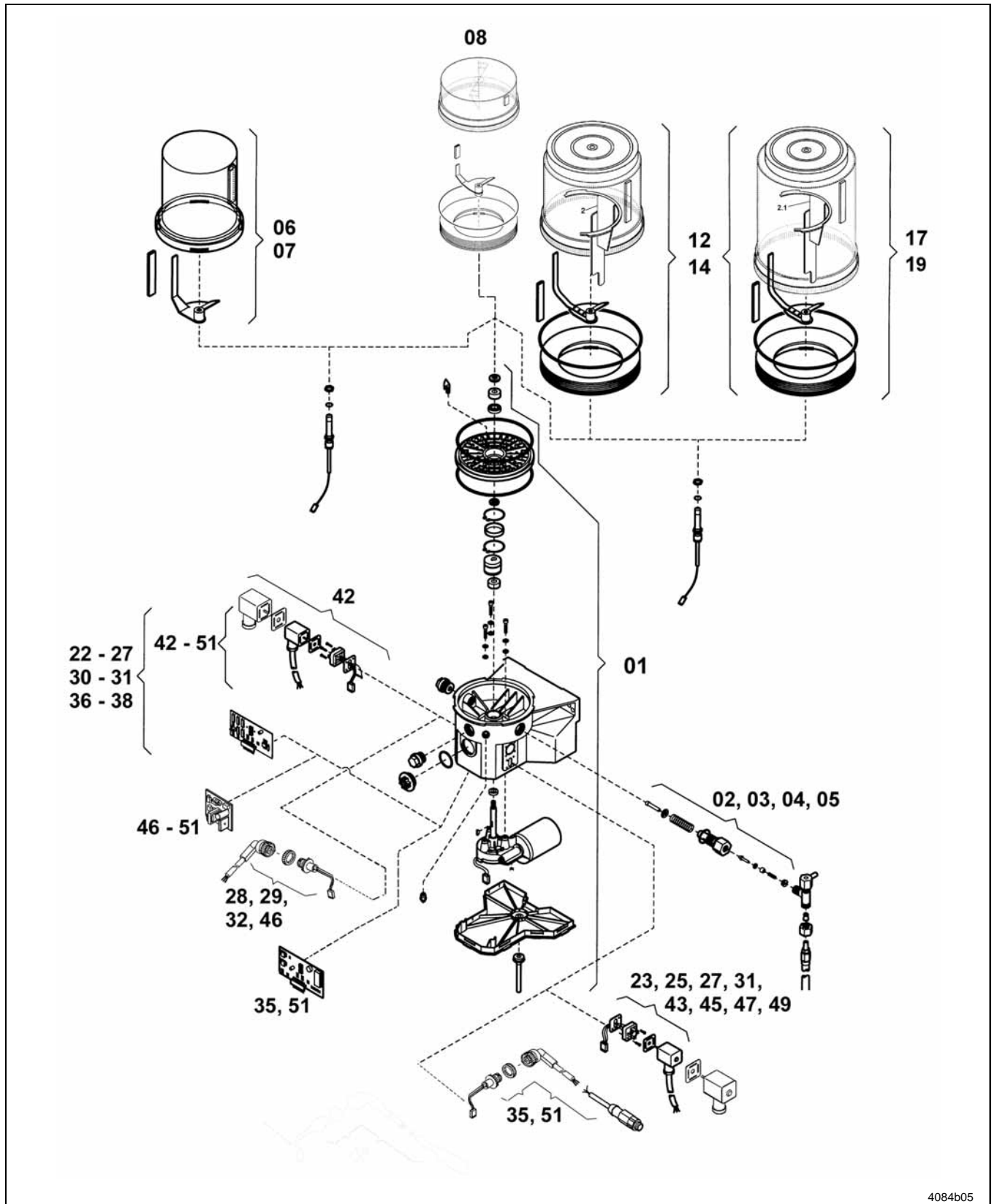


6001a02

NOTE

The assemblies are to be used **only for the calculation of the sales price**. The item numbers are identical with those of the price list.

Assemblies for pump model 203, continuation



4084b05

Subject to modification

Fig. 3 Assemblies for pump model 203, filling from bottom

Assemblies for pump model, continuation

Item	Designation of assembly
01	Lower part
02	Pump element K5
03	Pump element K6
04	Pump element K7, C7, S7
05	Pump element KR, B7, S7
06	Reservoir 2 XN
07	Reservoir 2 XL
12	Reservoir 4 XN
14	Reservoir 4 XL
17	Reservoir 8 XN
19	Reservoir 8 XL
22	Type of connection and control 1A1. 00 - V10 - V13
23	Type of connection and control 2A1. 00 - V10 - V13
24	Type of connection and control 1A1. 01 - V10 - V13
25	Type of connection and control 2A1. 01 - V10 - V13
26	Type of connection and control 1A1. 10 - V10 - V13
27	Type of connection and control 2A1. 10 - V10 - V13
28	Type of connection and control 1A5. 14 - V10 - V13
29	Type of connection and control 1A7. 16 - V10 - V13
30	Type of connection and control 1A1. 11 - V10 - V13 - ADR
31	Type of connection and control 2A1. 11 - V10 - V13 - ADR
32	Type of connection and control 1A5. 17 - V10 - V13 - ADR
35	Type of connection and control 2A6. 15 - M08 - M23
36	Type of connection and control 1A1. 10 - H
37	Type of connection and control 1A5. 14 - H
38	Type of connection and control 1A1. 11 - H - ADR
39	Type of connection and control 1A5. 17 - H - ADR
42	Type of connection without control p.c.b. 1A1. 01
43	Type of connection without control p.c.b. 2A1. 01
44	Type of connection without control p.c.b. 1A1. 10
45	Type of connection without control p.c.b. 2A1. 10
46	Type of connection without control p.c.b. AC - 1A1. 01
47	Type of connection without control p.c.b. AC - 2A1. 01
48	Type of connection and control AC - 1A1. 01 - V10 - V13
49	Type of connection and control AC - 2A1. 01 - V10 - V13
50	Type of connection and control AC - 2A7. 16 - V10 - V13
51	Type of connection and control AC - 3A6. 15 - M08 - M23



6001a02

NOTE

The assemblies are to be used **only for the calculation of the sales price**. The item numbers are identical with those of the price list.

Electrical Central Lubrication Pump Model 223/233: 2L, 4L and 8L



Fig. 4 Assortment of electrical central lubrication pumps 223/233

The following parts belong to the scope of delivery of the pumps 223/233:

- **Pump bottom**, with motor 12 or 24 VDC and magnetic switch for low-level control and membrane keypad
- **Reservoir** (2, 4, 8 - liters), with grease filling 0.75 kg (for 2 l reservoir), 1.5 kg (for 4- and 8-l reservoir) with low-level control
- **Pump element(s)**: 1 - 3 pump elements can be used
The following models are available:
 - for grease or oil supply with fixed lubricant output (K...)
 - Piston Ø 5 mm; 2 cm³/min
 - Piston Ø 6 mm; 2.8 cm³/min
 - Piston Ø 7 mm; 4 cm³/min
 - for grease supply with fixed lubricant output (B7) and bypass, check valve, piston Ø 7mm, 2 mm³/min
 - for grease supply with adjustable lubricant output (KR) piston Ø 7 mm; 0.7 cm³ - 3 cm³/min
- **Control printed circuit board**, for 12/24 VDC
 - The following models are available: MDF00 (P233), MF00 (P223)
- **Electrical connections**: see identification code
Type of connection: 2A6.15
- **Control p.c.b. MDF00 and MF00 with low-level control**
 - 1 bayonet plug with 10 m cable, 7-core
 - 1 bayonet plug for 1 piston detector

• **Accessories:**

- *Pressure relief valve* - must be ordered separately (for the different models, see under 'Pressure relief valves')
- Fixing screws with *accessories*, drilling template and operating instructions
- *Low-level control* – parts are located in the lower part of the pump and in the reservoir
- *Power supply unit* – for connection to 230 VAC (if available), located in lower part of pump



6001a02

IMPORTANT

The listed pump part numbers on the following pages represent only an excerpt of the standard pump program.

Special pumps or customized pumps are not listed, however, may be included by chance.

Pump P 223 DC with control p.c.b. MF00

Reservoir for grease without low-level control; MF00 p.c.b.; 10 m connecting cable

2 Litre

Model 24 VDC	Part no.
P223-2XN-1K6-24-2A6.15-MF00	644-46172-3

2 Litre, with reservoir lid

Model 24 VDC	Part no.
P223-2XLBO-1K6-24-2A6.15-MF00	644-40864-3

Pump P 233 DC with control p.c.b. MDF00

Reservoir for grease with low-level control; MDF00 p.c.b.; 10 m connecting cable

2 Litre

Model 24 VDC	Part no.
P233-2XL-1K6-24-2A6.15-MDF00	644-40824-1
P233-2XL-1K6-24-2A6.15-MDF00	644-40824-4

2 Litre, with reservoir lid

Model 24 VDC	Part no.
P233-2XLBO-1K6-24-2A6.15-MDF00	644-40824-2

4 Litre, with reservoir lid

Model 12 VDC	Part no.
P233-4XLBO-1K6-12-2A6.15-MDF00	644-46187-2

Model 24 VDC	Part no.
P233-4XBF-1K6-24-2A6.15-MDF00	644-40825-2
P233-4XLBO-1K6-24-2A6.15-MDF00	644-40826-2

8 Litre, with reservoir lid

Model 12 VDC	Part no.
P233-8XLBO-1K6-12-2A6.15-MDF00	644-46187-3

Model 24 VDC	Part no.
P233-8XBF-1K6-24-2A6.15-MDF00	644-40827-7

Pump P 233 AC with control p.c.b. MDF00

Reservoir for grease with low-level control; MDF00 p.c.b.; AC; 10 m connecting cable

4 Litre

Model 230AC	Part no.
P233-2XLBO-1KR-AC-3A6.15-MDF00	644-40824-5

8 Litre

Model 230AC	Part no.
P233-8XLBO-1K6-AC-3A6.15-MDF00	644-40867-1

Identification Code – DC Pump Models P223/233

Examples of pump designations



6001a02

NOTE

Any pumps combinations other than the above standard pumps can be composed or ordered in accordance with the valid identification code.

P233 - 4 - X - L - 1 - K6 - 24 - 2A - 6. - 15 - MDF00
 P223 - 2 - X - L - BO 1 - K7 - 24 - 2A - 6. - 15 MF00
 P233 - 8 - X - L - BO 1 - K6 - 12 - 2A - 6. - 15 - MDF00
 P223 - 4 - X - L - BO - 1 - K6 - 24 - 2A - 6. - 15 MF00

Basic pump model for grease or oil
with 1-3 outlets and direct current motor 12 VDC or 24 VDC

Reservoir design
 2 = 2 l transparent plastic reservoir
 4 = 4 l transparent plastic reservoir
 8 = 8 l transparent plastic reservoir
 15 = 15 l transparent plastic reservoir

X = Reservoir for grease

L = low-level control only for grease

Without designation = standard reservoir (2 litres)
 BO = Filling from the top

Pump elements
 1-3 = number of the used elements

K 5 = Piston diameter = 5 mm
 K 6 = Piston diameter = 6 mm
 K 7 = Piston diameter = 7 mm
 KR = Adjustable pump element, Piston diameter = 7 mm

Supply voltage
 12 or 24 VDC direct current motor

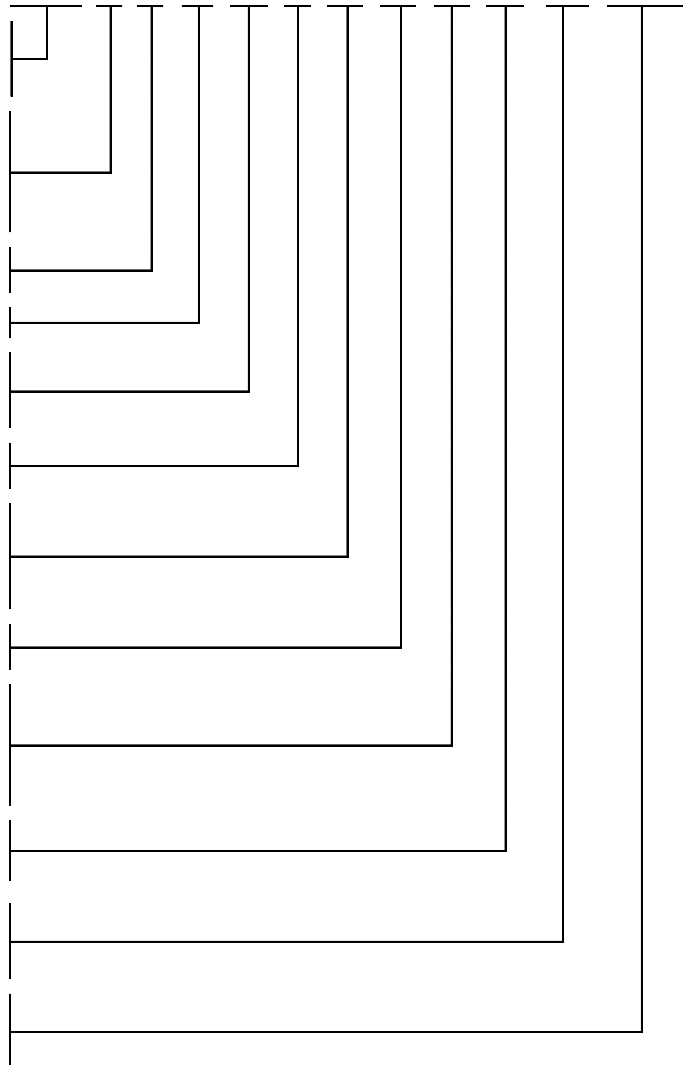
Number of possible connections (only on the pump housing)
 2A = 2 connections:
 - left, for supply voltage, external illuminated pushbutton for additional lubrication cycle and fault indicator
 - right, for piston detector

Type of connection ¹⁾
 6 = Bayonet plug, 7/5-pole, DIN 72585-1

¹⁾ other types of connection available

Connection outside of the pump
 00 = without connecting socket, without cable
 15 = Bayonet socket with 10 m cable, 7/ 5-core

Control p.c.b. 12V / 24 V
 MF00 = with microprocessor/ membrane keypad
 MDF00 = with microprocessor/ data logger/ membrane keypad



Identification Code – AC Pump Models P223/233

Examples of model designations



6001a02

NOTE

Any pumps combinations other the noted standard pumps can be composed and ordered in accordance with the valid model identification code.

P233 - 4 - X - L - 1 - K6 - AC - 3A - 6. - 15 - MDF00
 P223 - 2 - X - L - BO 1 - K7 - AC - 3A - 6. - 15 MF00
 P233 - 8 - X - L - BO 1 - K6 - AC - 3A - 6. - 15 - MDF00
 P223 - 4 - X - L - BO - 1 - K6 - AC - 3A - 6. - 15 MF00

Basic pump 223 or 233 for grease
with 1-3 outlets and direct current motor

Reservoir design

- 2 = 2 l transparent plastic reservoir
- 4 = 4 l transparent plastic reservoir
- 8 = 8 l transparent plastic reservoir
- 15 = 15 l transparent plastic reservoir

X = Reservoir for grease

L = Low-level control

Without designation = standard reservoir (2 liters, top closed)

BO = filling from top with reservoir lid

Pump elements

1-3 = number of used elements

- K 5 = piston diameter = 5 mm
- K 6 = piston diameter = 6 mm
- K 7 = piston diameter = 7 mm
- KR = Pump element, adjustable, piston diameter = 7 mm
- B7 = piston diameter = 7 mm (output of K5)

Supply voltage

AC = 110-230 VAC ±10%, 50-60 Hz ±5% (with 24 VDC direct current motor)

Number of possible connections (only on the pump housing)

- 3A = 3 connections
- Supply voltage (only square type plug) left, bottom
- Illuminated pushbutton + low-level control (bayonet okzg 7/5-pole) left, top
- Piston detector, bayonet plug, right, top (4/4-pole)

Type of connection ¹⁾

6 = Bayonet plug, 7/5-pole, DIN 72585-1

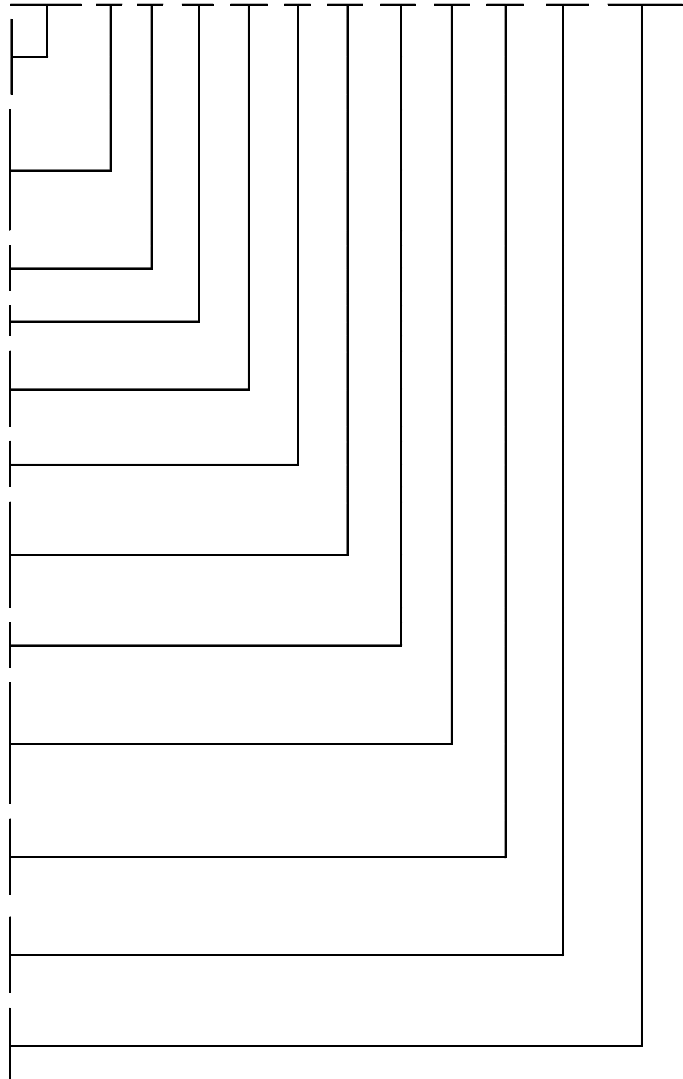
¹⁾ other types of connection available

Connection outside of the pump

- 00 = Without connecting socket, without cable
- 15 = Bayonet socket with 10 m cable, 7/ 5-core

Control p.c.b. 12V / 24 V

- MF00 (P223) = with microprocessor and membrane keypad
- MDF00 (P233) = with microprocessor, Datalogger and membrane keypad



Hand-Operated Central Lubrication Pumps

Models HP, HPG, HPGO



Fig. 5 Pump HP 15

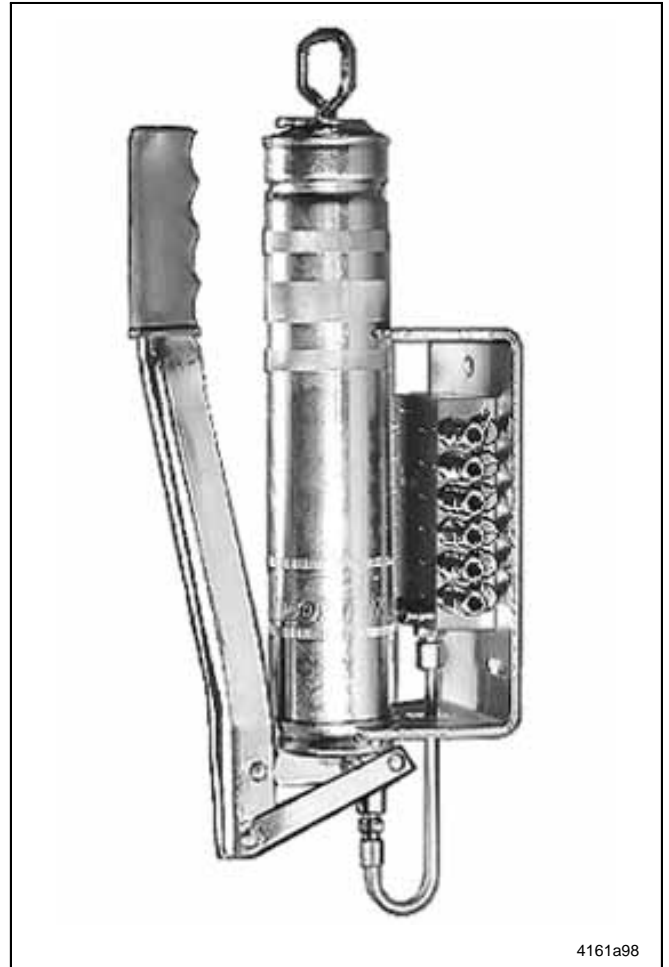


Fig. 6 Pump HP G15

Reservoir capacity 400 cm³

Model designation	Part no.
HP 500 W	244-14164-1

Reservoir capacity 400 cm³

Number of outlets	Model designation	Part no.
6	HP 500 W-SSV6	604-28766-1
8	HP 500 W-SSV8	604-28767-1
10	HP 500 W-SSV10	604-28768-1
12	HP 500 W-SSV12	604-28769-1

Identification Code

- HP 500 W = manual pump; 500 cm³ with wall bracket
 HPG 500 W = manual pump; 500 cm³ with metering device (G) and wall bracket

Hand-Operated Central Lubrication Pumps, continuation

Models HP, HPG, HPGO



Fig. 7 Pump HP 15

Pump with one outlet, for grease



Fig. 8 Pump HPG 15

Reservoir capacity 1500 cm³

Model designation
HP 15

Part no.
604-25103-1

Pump with basic body "G", for grease

Reservoir capacity 1500 cm³

Model designation
HPG 15

Part no.
604-25109-2



Fig. 9 Pump HPGO 18

Pump with basic body "G", for oil

Reservoir capacity 1500 cm³

Model designation
HPGO 18

Part no.
604-27212-1

Identification Code

- HP 15 = manual pump; 1500 cm³
- HPG 15 = manual pump; 1500 cm³ with SSV 8 basic body (G)
- HPGO 18 = manual pump for oil (O); 1800 cm³ with SSV 8 basic body (G)

Pneumatically Operated Central Lubrication Pumps

Models PP, PPG, PPO, PPGO



Fig. 10 Pump PP 15

Pump with one outlet, for grease



Fig. 11 Pump PPG 15

Reservoir capacity 1500 cm³

Model designation
PP 15

Part no.
604-25105-2

Pump with basic body "G", for grease

Reservoir capacity 1500 cm³

Model designation
PPG 15

Part no.
604-25111-3

Identification Code

PP 15 = pneumatically operated pump; 1500 cm³

PPG 15 = pneumatically operated pump; 1500 cm³ with SSV 8 basic body (G)



Fig. 12 Pump PPO 18

Pump with one outlet, for oil



Fig. 13 Pump PPGO 18

Reservoir capacity 1500 cm³

Model designation
PPO 18

Part no.
604-27223-1

Pump with basic body "G", for oil

Reservoir capacity 1500 cm³

Model designation
PPGO 18

Part no.
604-27213-1

Subject to modification

Identification Code – Progressive Metering Devices SSV & Connecting Elements

Examples: Standard and preassembled metering devices

Metering device	SSV	6																						
Metering device	SSV	6	- KS	BU	-																			1.4305
Metering device	SSV	12	- KN	DI	-																			A
Metering device	SSV	10	- K																					
Metering device	SSV	8	- KA																					EX
Metering device	SSV	8	S - KN	TE																				
Metering device	SSV	6	S - NP			- RV 6																		/ WEKV 6
Metering device	SSV	8	S - K																					RVV 6 / WEKV 6
¹⁾ Metering device	SSV	8	- K			- RV 6																		/ GEKV 6*
Metering device	SSV	8	- KN	TU		- RV 6																		/ GE 10
¹⁾ Metering device	SSV	10	S - N			- RV 6																		/ WE 6*
Metering device	SSV	10	S - KN	SI		- RV 6 +																		RVV 6 / GEKV

Series

- SSV = Lubricant metering device

Number of outlets

- 6-22

Type of outlet fitting

- without designation = screw type
- S = push-in type

Monitoring

- without =no monitoring
- K = with indicator pin
- KS = with indicator pin and limit switch
- KN = with indicator pin and proximity switch
- KA = with indicator pin and adapter (proximity switch on the part of the user)
- N = with piston detector (2-wire, with cable)
- NE = with piston detector and bayonet plug
- NP = with piston detector (3-wire, plug with M12, plug-type)

Internal identification symbol for switch design ²⁾

Outlet fittings

- Without designation = Standard metering device without mounted outlet fitting
- RV 6 = Check valve for tube \varnothing 6 mm, screw type
- for SSV.. S = RV 6 check valve for tube \varnothing 6 mm, push-in type, knurled pliers
- for SSV.. S = RVV 6 check valve for tube \varnothing 6 mm, push-in type, reinforced pliers

Inlet fittings

- e. G. GE 6/8/10, WE 6/8/10 inlet fitting, screw type for tube \varnothing 6, 8 or 10 mm for SSV..S push-in fitting for tube \varnothing 6 mm
- e. G. GEKV 6, WEKV 6 push-in fitting, for main and secondary metering devices always with reinforced pliers

Special Designs

- A = USA design with 1/8 NPTF internal thread
- Ex = Switch, explosion-proof

Material

- Without designation = standard design (steel)
- 1.4305 = steel V2A
- 1.4571 = steel V4A



1013A94

¹⁾ ATTENTION!

Mixed combinations of outlet fittings and inlet fittings are possible:

- Push-in type inlet fittings & screw type outlet fittings
- Push-in type outlet fittings & screw type inlet fittings

²⁾ KNTU = Standard proximity switch

²⁾ KSBU = Standard limit switch

Identification Code – Progressive Metering Device SSV M

Examples:

Divider SSVM 6 - KA
 Divider SSVM 6 - K - A
 Divider SSVM 8 - KS
 Divider SSVM 12
 Divider SSVM 10 - KN
 Divider SSVM 8 - KS
 Divider SSVM 6 - KN
 Divider SSVM 10 - KS
 Divider SSVM 12 - KN

Series

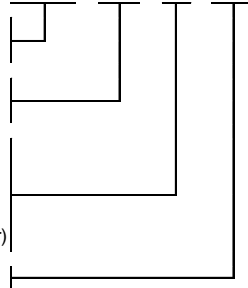
- SSVM = Lubricant metering device

Number of outlets

- 6-12

Monitoring

- K = with indicator pin
- KS = with indicator pin and limit switch
- KN = with indicator pin and proximity switch
- KA = with indicator pin and adapter (proximity switch by customer)
- A = USA design



Progressive Metering Devices SSV, SSV M, SSV D & Connecting Elements

Progressive Metering Device SSV (Standard Version)

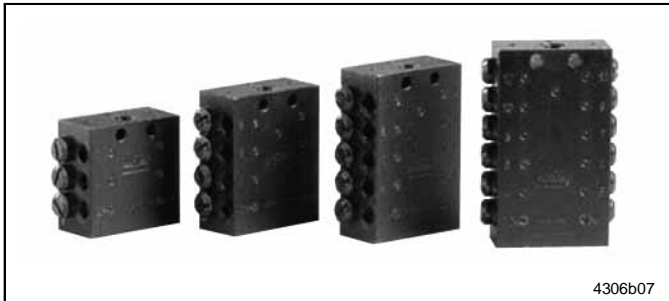


Fig. 14 Assortment progressive metering devices SSV (standard version)

Model	Fixing Ø in mm	Part no.
SSV 6	6,4	619-26473-1
SSV 8	6,4	619-25730-2
SSV 10	6,4	619-26841-1
SSV 12	6,4	619-25731-2
SSV 14	6,4	619-28862-1
SSV 16	6,4	619-28863-1
SSV 18	6,4	619-28864-1
SSV 20	6,4	619-28865-1
SSV 22	6,4	619-28866-1
Piston closure plug M11 x 1		303-19716-1



Fig. 15 Bracket

Bracket, assy. with attaching material

Dimension	Application	Part no.
60 x 25 x 25	as of SSV 14	519-34271-1

Subject to modification

Progressive Metering Devices SSV, SSV M, SSV D & Connecting Elements continuation

Progressive metering device SSV (high-grade steel 1.4305) V2 A

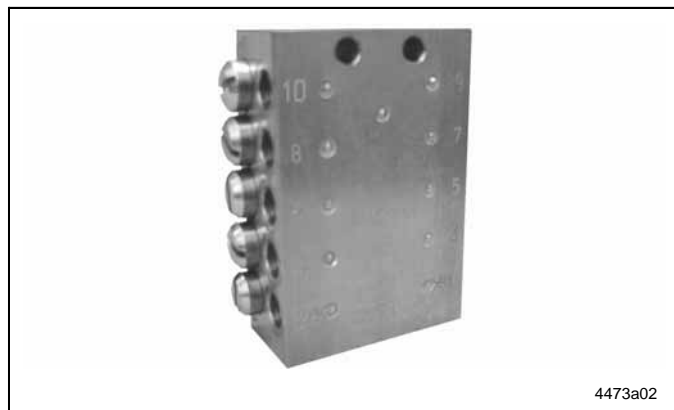


Fig. 16 Progressive metering device SSV (high-grade steel 1.4305) V2 A

Model	Fixing-Ø in mm	Part no.
SSV 6	6.4	619-27471-1
SSV 8	6.4	619-27473-1
SSV 10	6.4	619-27475-1
SSV 12	6.4	619-27477-1
SSV 14	6.4	619-29063-1
SSV 16	6.4	619-29064-1
SSV 18	6.4	619-29065-1
SSV 20	6.4	619-29066-1

Progressive metering device SSV (high-grade steel 1.4571) V4 A

Model	Fixing-Ø in mm	Part no.
SSV 6	6.4	619-27824-1
SSV 8	6.4	619-27825-1
SSV 10	6.4	619-27889-1
SSV 12	6.4	619-27900-1

Progressive metering device SSV with indicator pin (standard version)

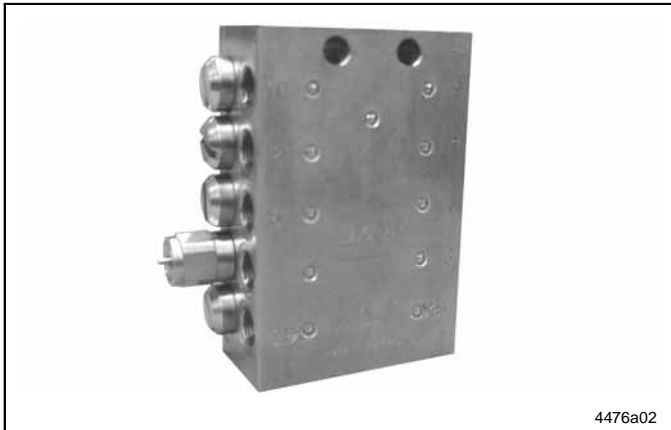


Fig. 17 Progressive metering device SSV with indicator pin (standard version)

Model	Fixing-Ø in mm	Part no.
SSV 6-K	6.4	619-26474-3
SSV 8-K	6.4	619-25754-4
SSV 10-K	6.4	619-26842-2
SSV 12-K	6.4	619-25755-4
SSV 14-K	6.4	619-28871-1
SSV 16-K	6.4	619-28872-1
SSV 18-K	6.4	619-28873-1
SSV 20-K	6.4	619-28874-1
SSV 22-K	6.4	619-28875-1

Progressive Metering Devices SSV, SSV M, SSV D & Connecting Elements continuation

Progressive metering device SSV with indicator pin (high-grade steel 1.4305)



4476a02

Fig. 18 Progressive metering device SSV with indicator pin (high-grade steel 1.4305)

Model	Fixing-Ø in mm	Part no.
SSV 6-K	6.4	619-27472-1
SSV 8-K	6.4	619-27474-1
SSV 10-K	6.4	619-27476-1
SSV 12-K	6.4	619-27478-1
SSV 14-K	6.4	619-29067-1
SSV 16-K	6.4	619-29068-1
SSV 18-K	6.4	619-29069-1
SSV 20-K	6.4	619-29074-1

Progressive metering device SSV with indicator pin and mounted limit switch

(spare parts only)

Model	Fixing-Ø in mm	Part no.
SSV 6-KS	6.4	619-27074-1
SSV 8-KS	6.4	619-27070-1
SSV 10-KS	6.4	619-27069-1
SSV 12-KS	6.4	619-27068-1
SSV 16-KS	6.4	619-28906-1
SSV 18-KS	6.4	619-28958-1
SSV 20-KS	6.4	619-28936-1

Progressive metering device SSV with indicator pin and mounted proximity switch

(spare parts only)

Model	Fixing-Ø in mm	Part no.	Switching mode
SSV 6-KN	6.4	619-27613-1	PNP
SSV 8-KN	6.4	619-27614-1	PNP
SSV 10-KN	6.4	619-27615-1	PNP
SSV 12-KN	6.4	619-27616-1	PNP
SSV 14-KN	6.4	619-29028-1	PNP
SSV 16-KN	6.4	619-28905-1	PNP
SSV 18-KN	6.4	619-28959-1	PNP
SSV 20-KN	6.4	619-28934-1	PNP
SSV 6-KN	6.4	619-27953-1	NPN
SSV 8-KN	6.4	619-27918-1	NPN
SSV 10-KN	6.4	619-27961-1	NPN
SSV 12-KN	6.4	619-27962-1	NPN



6001a02

NOTE

The mentioned metering devices are equipped with proximity switches (part no. 234-13134-3). Other proximity switches are available on request.

Progressive metering device SSV with indicator pin and mounted proximity switch

(high-grade steel 1.4305)

Model	Fixing-Ø in mm	Part no.	Switching mode
SSV 6-KN (VA)	6,4	619-27633-1	PNP
SSV 8-KN (VA)	6,4	619-27634-1	PNP
SSV 10-KN (VA)	6,4	619-27635-1	PNP
SSV 12-KN (VA)	6,4	619-27636-1	PNP

Progressive Metering Devices SSV, SSV M, SSV D & Connecting Elements continuation

Progressive metering device SSV with integrated piston detector for electric monitoring, without connecting plug

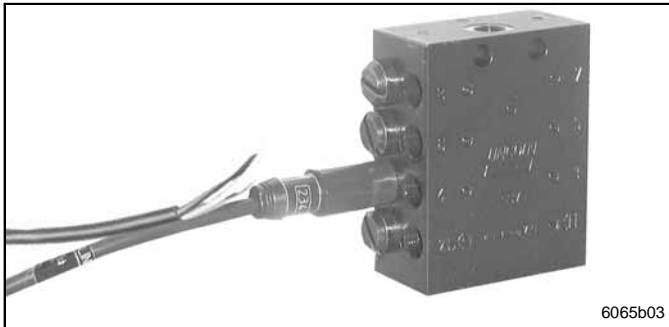


Fig. 19 Progressive metering device SSV with integrated piston detector for electric monitoring, without connecting plug

Model	Fixing-Ø in mm	Part no.
SSV 6-N	6.4	619-28257-1
SSV 8-N	6.4	619-28258-1
SSV 10-N	6.4	619-28259-1
SSV 12-N	6.4	619-28260-1
SSV 14-N	6.4	619-28890-1
SSV 16-N	6.4	619-28907-1
SSV 18-N	6.4	619-28957-1
SSV 20-N	6.4	619-28935-1
SSV 22-N	6.4	619-29015-1

Mounted piston detector part no. 519-34271-2
standard cable length 3.0 m.

Progressive metering device SSV with integrated piston detector for electric monitoring, with AMP connecting plug (only as spare part)

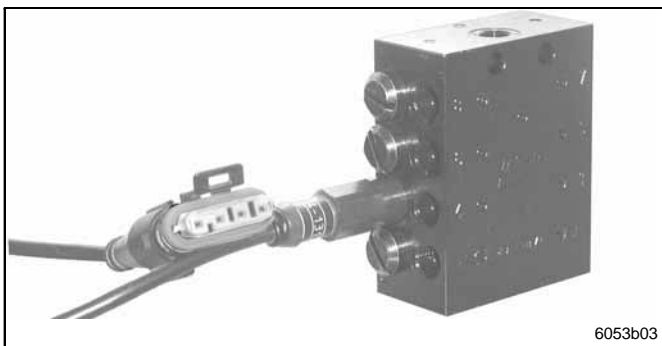


Fig. 20 Progressive metering device SSV with integrated piston detector for electric monitoring, with AMP connecting plug

Model	Fixing-Ø in mm	Part no.
SSV 6-N	6.4	619-28521-1
SSV 8-N	6.4	619-28746-1
SSV 10-N	6.4	619-28747-1
SSV 18-N	6.4	619-29108-1

Progressive metering device SSV with integrated piston detector for electric monitoring, with bayonet plug (Euro plug) for P 203, P 223 and P 233

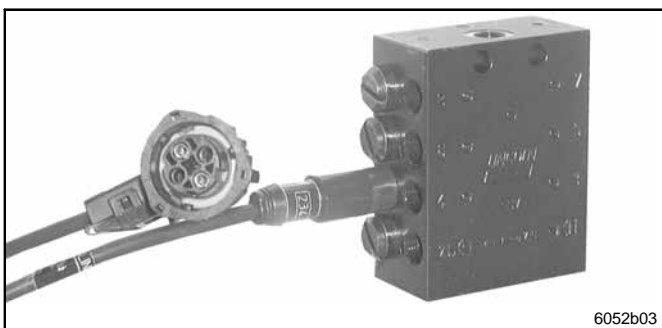


Fig. 21 Progressive metering device SSV with integrated piston detector for electric monitoring, with bayonet plug (Euro plug)

Model	Fixing-Ø in mm	Part no.
SSV 6-NE	6.4	619-29155-1
SSV 8-NE	6.4	619-29144-1
SSV 10-NE	6.4	619-29145-1
SSV 12-NE	6.4	619-29146-1

Mounted piston detector part no. 519-34339-3
standard cable length 3.0 m.



6001a02

NOTE

More piston detectors with various cable length see page 76 & 78.

Progressive Metering Devices SSV, SSV M, SSV D & Connecting Elements continuation

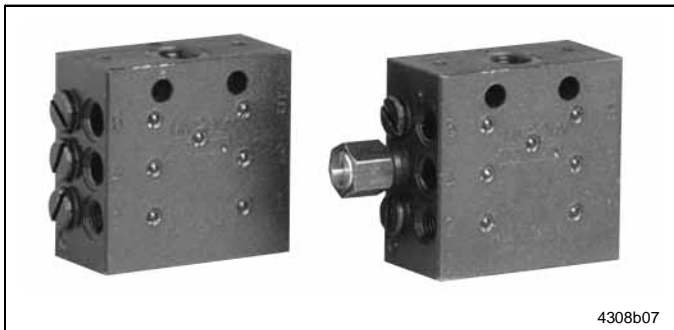


Fig. 22 Progressive metering device SSV M



6001a02

NOTE

Metering devices SSV M are not available as high grade steel model!

Progressive metering device SSV M

Model	Fixing-Ø in mm	Part no.
SSV M 6	5.5	619-26761-1
SSV M 6-K	5.5	619-26762-3
SSV M 8	5.5	619-37044-1
SSV M 8-K	5.5	619-37045-3
SSV M 10	5.5	619-26846-1
SSV M 10-K	5.5	619-26847-2
SSV M 12	5.5	619-37049-1
SSV M 12-K	5.5	619-37050-3

OLD:

Outlet closure screw	M8 x 1 x 5C	303-17530-1
Copper sealing ring	Ø8 x 10 x 1	209-12464-7

NEW:

Outlet closure screw with sealing edge	M8 x 1 x 5C	303-16284-1
--	-------------	-------------

Progressive metering device SSV D

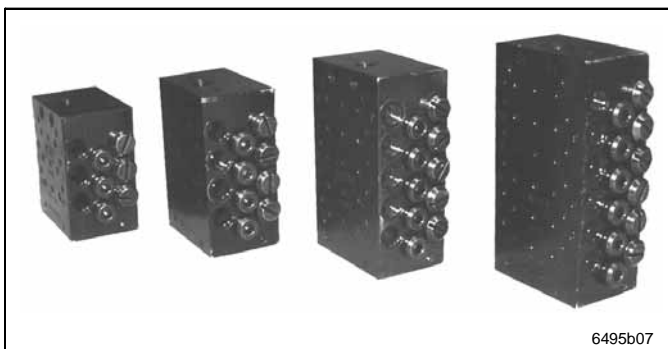


Fig. 23 Progressive metering device SSV D with metering screws



6001a02

NOTE

*Bypass bore:
Outlet bores 1 and 2 are connected with each other internally.*

Standard

Model	Fixing-Ø in mm	Part no.
SSV D 6	6.6	649-29485-1
SSV D 8	6.6	649-29486-1
SSV D 10	6.6	649-29487-1
SSV D 12	6.6	649-29488-1
SSV D 14	6.6	649-29489-1
SSV D 16	6.6	649-29587-1
SSV D 18	6.6	649-29588-1
SSV D 20	6.6	649-29589-1
SSV D 22	6.6	649-29590-1

With bypass bore

Model	Fixing-Ø in mm	Part no.
SSV D 6/5 – V1	6.6	649-29490-1
SSV D 8/7 – V1	6.6	649-29491-1
SSV D 10/9 – V1	6.6	649-29492-1
SSV D 12/11 – V1	6.6	649-29493-1
SSV D 14/13 – V1	6.6	649-29494-1
SSV D 16/15 – V1	6.6	649-29591-1
SSV D 18/17 – V1	6.6	649-29592-1
SSV D 20/19 – V1	6.6	649-29593-1
SSV D 22/21 – V1	6.6	649-29594-1

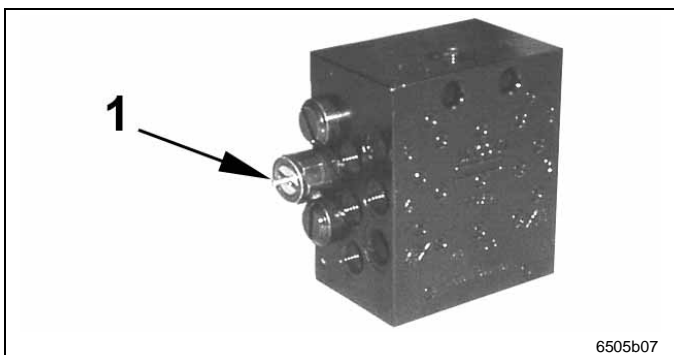


Fig. 24 Progressive metering device SSV D with indicator pin (pos. 1)

with indicator pin (pos. 1)

Model	Fixing-Ø in mm	Part no.
SSV D 6 -.-.-.-.-K	6.6	649-29505-1
SSV D 8 -.-.-.-.-K	6.6	649-29506-1
SSV D 10 -.-.-.-.-K	6.6	649-29507-1
SSV D 12 -.-.-.-.-K	6.6	649-29508-1
SSV D 14 -.-.-.-.-K	6.6	649-29509-1
SSV D 16 -.-.-.-.-K	6.6	649-29595-1
SSV D 18 -.-.-.-.-K	6.6	649-29596-1
SSV D 20 -.-.-.-.-K	6.6	649-29597-1
SSV D 22 -.-.-.-.-K	6.6	649-29598-1

Subject to modification

Progressive Metering Devices SSV, SSV M, SSV D & Connecting Elements continuation

Progressive Metering Device SSV D, continuation

with indicator pin (pos. 1, Fig. 24) and bypass bore

Model	Fixing-Ø in mm	Part no.
SSV D 6 - V -.-.-.-.-K	6.6	649-29510-1
SSV D 8 - V -.-.-.-.-K	6.6	649-29511-1
SSV D 10 - V -.-.-.-.-K	6.6	649-29512-1
SSV D 12 - V -.-.-.-.-K	6.6	649-29513-1
SSV D 14 - V -.-.-.-.-K	6.6	649-29514-1
SSV D 16 - V -.-.-.-.-K	6.6	649-29599-1
SSV D 18 - V -.-.-.-.-K	6.6	649-29600-1
SSV D 20 - V -.-.-.-.-K	6.6	649-29601-1
SSV D 22 - V -.-.-.-.-K	6.6	649-29602-1

with indicator pin (pos. 1, Fig. 24)
and proximity switch (part no. 234-13134-3)

Model	Fixing-Ø in mm	Part no.
SSV D 6 -.-.-.-.-KN	6.6	649-29515-1
SSV D 8 -.-.-.-.-KN	6.6	649-29516-1
SSV D 10 -.-.-.-.-KN	6.6	649-29517-1
SSV D 12 -.-.-.-.-KN	6.6	649-29518-1
SSV D 14 -.-.-.-.-KN	6.6	649-29519-1
SSV D 16 -.-.-.-.-KN	6.6	649-29603-1
SSV D 18 -.-.-.-.-KN	6.6	649-29604-1
SSV D 20 -.-.-.-.-KN	6.6	649-29605-1
SSV D 22 -.-.-.-.-KN	6.6	649-29606-1



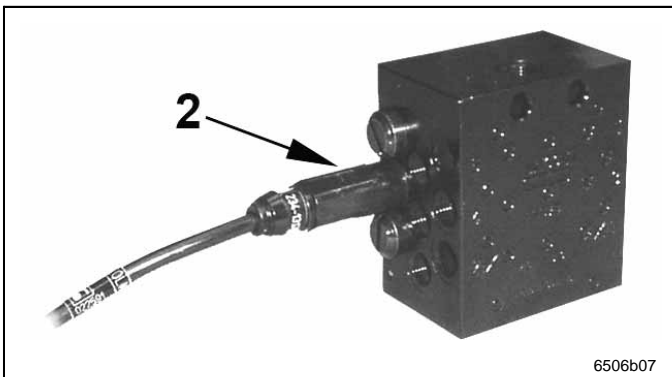
6001a02

NOTE

*Bypass bore:
Outlet bores 1 and 2 are connected with
each other internally.*

with indicator pin (pos. 1, Fig. 24), bypass bore
and proximity switch (part no. 234-13134-3)

Model	Fixing-Ø in mm	Part no.
SSV D 6 - V -.-.-.-.-KN	6.6	649-29520-1
SSV D 8 - V -.-.-.-.-KN	6.6	649-29521-1
SSV D 10 - V -.-.-.-.-KN	6.6	649-29522-1
SSV D 12 - V -.-.-.-.-KN	6.6	649-29523-1
SSV D 14 - V -.-.-.-.-KN	6.6	649-29524-1
SSV D 16 - V -.-.-.-.-KN	6.6	649-29607-1
SSV D 18 - V -.-.-.-.-KN	6.6	649-29608-1
SSV D 20 - V -.-.-.-.-KN	6.6	649-29609-1
SSV D 22 - V -.-.-.-.-KN	6.6	649-29610-1



6506b07

Fig. 25 Progressive Metering Device SSV D with piston detector (pos. 2)

with piston detector (pos. 2) for electrical monitoring

Model	Fixing-Ø in mm	Part no.
SSV D 6 -.-.-.-.-N	6.6	649-29495-1
SSV D 8 -.-.-.-.-N	6.6	649-29496-1
SSV D 10 -.-.-.-.-N	6.6	649-29497-1
SSV D 12 -.-.-.-.-N	6.6	649-29498-1
SSV D 14 -.-.-.-.-N	6.6	649-29499-1
SSV D 16 -.-.-.-.-N	6.6	649-29611-1
SSV D 18 -.-.-.-.-N	6.6	649-29612-1
SSV D 20 -.-.-.-.-N	6.6	649-29613-1
SSV D 22 -.-.-.-.-N	6.6	649-29614-1

Mounted piston detector part no. 519-34271-2

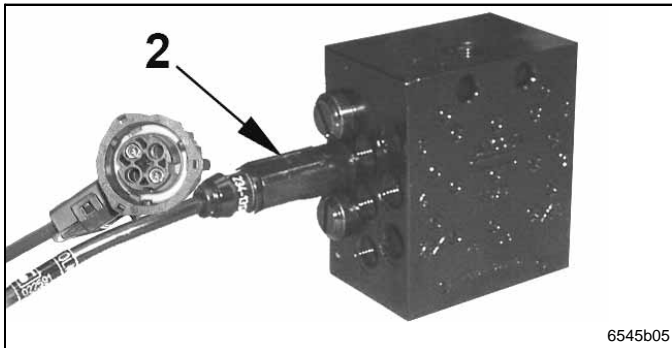
with piston detector (Pos. 2) for electrical monitoring and
bypass bore

Model	Fixing-Ø in mm	Part no.
SSV D 6 - V -.-.-.-.-N	6.6	649-29500-1
SSV D 8 - V -.-.-.-.-N	6.6	649-29501-1
SSV D 10 - V -.-.-.-.-N	6.6	649-29502-1
SSV D 12 - V -.-.-.-.-N	6.6	649-29503-1
SSV D 14 - V -.-.-.-.-N	6.6	649-29504-1
SSV D 16 - V -.-.-.-.-N	6.6	649-29615-1
SSV D 18 - V -.-.-.-.-N	6.6	649-29616-1
SSV D 20 - V -.-.-.-.-N	6.6	649-29617-1
SSV D 22 - V -.-.-.-.-N	6.6	649-29618-1

Mounted piston detector part no. 519-34271-2

Progressive Metering Devices SSV, SSV M, SSV D & Connecting Elements continuation

Progressive Metering Device SSV D, continuation



with piston detector (part no. 519-34339-3) for electrical monitoring and bayonet plug

Model	Fixing-Ø in mm	Part no.
SSV D 6 - ..-NE	6.6	649-29706-1
SSV D 8 - ..-NE	6.6	649-29707-1
SSV D 10 - ..-NE	6.6	649-29708-1
SSV D 12 - ..-NE	6.6	649-29709-1
SSV D 14 - ..-NE	6.6	649-29710-1
SSV D 16 - ..-NE	6.6	649-29711-1
SSV D 18 - ..-NE	6.6	649-29712-1
SSV D 20 - ..-NE	6.6	649-29713-1
SSV D 22 - ..-NE	6.6	649-29714-1

Fig. 26 Progressive Metering Device SSV D with piston detector (pos. 2) and bayonet plug

with 3-wire piston detector (part no. 519-34339-5) for electrical monitoring

Model	Fixing-Ø in mm	Part no.
SSV D 6 -..-NP	6.6	649-29525-1
SSV D 8 -..-NP	6.6	649-29526-1
SSV D 10 -..-NP	6.6	649-29527-1
SSV D 12 -..-NP	6.6	649-29528-1
SSV D 14 -..-NP	6.6	649-29529-1
SSV D 16 -..-NP	6.6	649-29619-1
SSV D 18 -..-NP	6.6	649-29620-1
SSV D 20 -..-NP	6.6	649-29621-1
SSV D 22 -..-NP	6.6	649-29622-1

with 3-wire piston detector (part no. 519-34339-5) for electrical monitoring and bypass bore

Model	Fixing-Ø in mm	Part no.
SSV D 6 - V -..-NP	6.6	649-29530-1
SSV D 8 - V -..-NP	6.6	649-29531-1
SSV D 10 - V -..-NP	6.6	649-29532-1
SSV D 12 - V -..-NP	6.6	649-29533-1
SSV D 14 - V -..-NP	6.6	649-29534-1
SSV D 16 - V -..-NP	6.6	649-29623-1
SSV D 18 - V -..-NP	6.6	649-29624-1
SSV D 20 - V -..-NP	6.6	649-29625-1
SSV D 22 - V -..-NP	6.6	649-29626-1



Fig. 27 Assortment metering screws

Metering screws

Output	Code	Qty.	Part no r.
0.08 cm ³	A	12	549-34254-1
0.14 cm ³	B	12	549-34254-2
0.2 cm ³	C	12	549-34254-3
0.3 cm ³	D	12	549-34254-4
0.4 cm ³	E	12	549-34254-5
0.6 cm ³	F	12	549-34254-6
0.8 cm ³	G	12	549-34254-7
1.0 cm ³	H	12	549-34254-8
1.4 cm ³	I	12	549-34254-9
1.8 cm ³	J	12	549-34255-1
0.08 – 1.8 cm ³	A - J	à 2 = 20	549-34255-2



Fig. 28 Bracket

Bracket assy

Dimension	Application	Part no.
32 x 25	as of SSV 16	449-70906-1

Subject to modification

SSV inlet fittings, screw type

Male connector



Fig. 29 Male connector

Model	Part no.
Standard	
GE 4 - LLR 1/8 KC	223-12270-8
GE 6 - LLR 1/8 KC	223-12270-7
GE 8 - LLR 1/8 KC	223-12270-9
High-grade steel (1.4571)	
GE 4 - LLR 1/8 K	223-13614-8
GE 6 - LLR 1/8 K	223-13614-9
GE 8 - LLR 1/8 K	223-13658-1

Male elbow



Fig. 30 Male elbow

Model	Part no.
Standard	
WE 6 - LLR 1/8 KC	223-12485-9
WE 8 - LLR 1/8 KC	223-13021-6
High-grade steel (1.4571)	
WE 4 - LLR 1/8 K	223-13677-8
WE 6 - LR 1/8 K	223-13620-8
WE 6 - LLR 1/8 K	223-12453-7

SSV inlet fittings, screw type, continuation

Hydraulic lubrication fitting for metering device inlet



Fig. 31 Hydraulic lubrication fitting for metering device inlet

Model	Thread	Part no.
Standard		
Hydraulic lubrication fitting, straight	AR 1/8 Z	251-14040-1
Hydraulic lubrication fitting, 45°	BR 1/8 Z	251-14045-1
Hydraulic lubrication fitting, 90°	CR 1/8 Z	251-14040-2
High-grade steel (1.4571)		
Hydraulic lubrication fitting, 45°	A2 BR 1/8	251-14063-4
Hydraulic lubrication fitting, straight with check valve	R 1/8	251-14073-9

Connecting Elements for Lubrication Points and Lubricant Feed Lines

Identification Code for Fittings

Examples of model designations

	GE	-	6	-	L	-	G 1/8 A	-	C
	WE	-	6	-	LL	-	M 8x1K	-	C
	GE	-	4	-	LL	-	R 1/8K	-	C
	SWVE	-	6	-	LL	-	M 10x1K	-	C
	TR	-	10/6/10	-	L	-		-	C
	T	-		-	LL	-		-	C

Fitting type abbreviation	GE	WE	GE	SWVE	TR	T
Tube diameter (mm)	6	6	4	6	10/6/10	
Series (LL, L)	L	LL	LL	LL	L	LL
Male thread, conical or cylindrical	G 1/8 A	M 8x1K	R 1/8K	M 10x1K		
Finish, yellow-chromate	C	C	C	C	C	C

Quick Connecting Fittings, push-in type (Quicklinc)

Identification code for quick connecting fittings

Examples of model designations

	WEK -	6500	- 6	- M 8x1	- S01
	GEK - S	6510	- 4	- R 1/8	- S02
	SW - V	6540	- 6	- M 10x1	- S01
	GS -	6580	- 6	-	S02
	TS -	6540	- 6	-	S01

Fitting type abbreviation					
S – Sealing on thread					
V – reinforced clamping ring					
Type designation (manufacturer)					
Tube diameter (mm)					
Male thread, conical (if any)					
Special designs					

SSV / SSV M / SSV D - Quicklinc - Inlet fittings, push-in type

Male connector



Fig. 32 Male connector

Model	Ø	Part no.
GEKV S6510-6-1/8-S01	6 mm	226-14111-1



6001a02

IMPORTANT NOTE

To be used only for a connection for hose stud with groove.

Male elbow



Fig. 33 Male elbow

Model	Ø	Part no.
WEKV S6500-6-1/8-S01	6 mm	226-13753-9 ¹⁾



6001a02

IMPORTANT

To be used only for a connection for hose stud with groove.

¹⁾ Dimensions see page 104

Subject to modification

SSV / SSV D - Outlet fittings with check valve, screw type

Standard

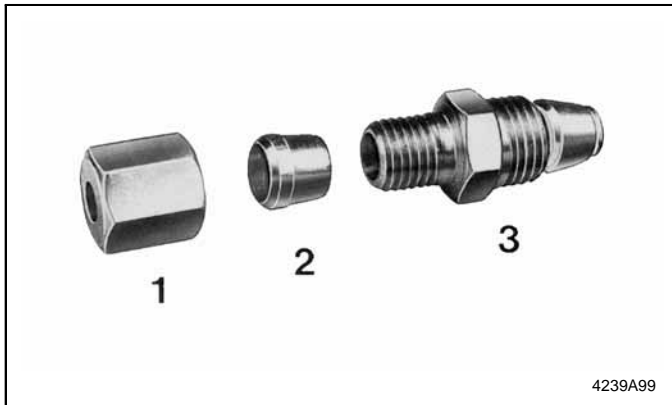


Fig. 34 Standard or high-grade version 1.4571

Opening pressure of the check valve in the valve body: 6 -8 bar

Item	Tube-Ø	Part no.
Outlet fitting assembly SSVM		
Complete with check valve	4 mm	519-31661-1
Consisting of:		
1 Coupling nut	4 mm	223-13032-1
2 Cutting ring	4 mm	223-14083-3
3 Valve body	M 8 x 1	519-31612-1
Clamping ring		419-22603-4
Outlet fitting assembly SSV		
Complete with check valve	4 mm	504-30345-2
Consisting of:		
1 Coupling nut	4 mm	223-13032-1
2 Cutting ring	4 mm	223-14083-3
3 Valve body with clamping ring	M 10 x 1	504-30517-2
Outlet fitting assembly SSV		
Complete with check valve	6 mm	504-30344-4
Consisting of:		
1 Coupling nut	6 mm	223-14084-3
2 Cutting ring	6 mm	223-12295-2
3 Valve body with clamping ring	M 10 x 1	504-30364-4
Check valve for tube Ø		
	8 mm	
with long adapter (32 mm)		504-31864-1
with short adapter (18 mm)		504-31863-1



6001a02

IMPORTANT

Use only the above mentioned outlet fittings (items 1-3, see Fig. 34).

Outlet Fittings, screw type (high-grade steel 1.4571)

Item	Tube-Ø	Part no.	Item	Tube-Ø	Part no.
Outlet fitting assembly SSV			Outlet fitting assembly SSV		
Complete with check valve	4 mm	504-31709-1	Complete with check valve	6 mm	504-31705-1
Consisting of:			Consisting of:		
1 Coupling nut	4 mm	223-13638-6	1 Coupling nut	6 mm	223-13638-2
2 Cutting ring	4 mm	223-13639-5	2 Cutting ring	6 mm	223-13639-2
3 Valve body with clamping ring	M 10 x 1	504-31704-2	3 Valve body with clamping ring	M 10 x 1	504-31712-2



6001a02

IMPORTANT

Use only the above mentioned outlet fittings (item 1-3, see Fig. 34).

SSV Outlet fittings, screw-type without check valve

Outlet fittings, screw-type, without check valve

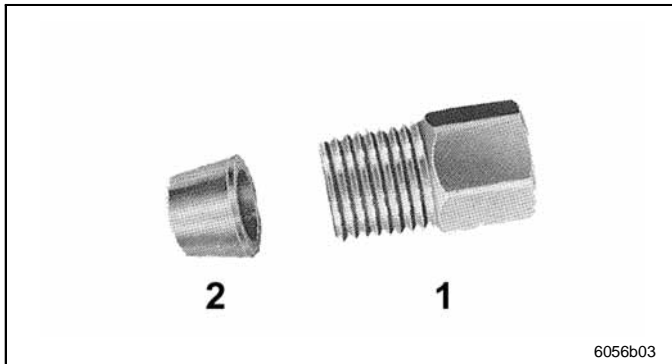


Fig. 35 Outlet fittings, screw-type, without check valve



6001a02

IMPORTANT

Only suitable
- for pressure plastic tube
- with open tube end
- for oil

Item	Tube-Ø	Part no.
------	--------	----------

Standard SSVM

Consisting of:

1	Coupling screw	4 mm	419-22604-2
2	Sealing & clamping ring	4 mm	419-22603-4

Standard SSV

Consisting of:

1	Coupling screw	6 mm	404-20236-4
2	Sealing & clamping ring	6 mm	404-23034-1

High-grade steel 1.4571 only SSV

Consisting of:

1	Coupling screw	6 mm	404-23668-1
2	Sealing & clamping ring ¹⁾	6 mm	404-23034-1

¹⁾ for pressure plastic tube Ø 6 x 1.5 m

SSV / SSV M /SSV D - Quicklinec outlet fitting, push-in type

(connections for GE M 8 x 1 and M 10 x 1)

Valve Body, straight



Fig. 36 Reinforced version for the connection of hose studs

From the main metering device to the secondary metering device, reinforced version

Designation	Tube-Ø	Part no.
-------------	--------	----------

valve body	6 mm	
With clamping ring		
RVV 6511-6-M 10 x 1-S02		226-14091-4 ²⁾

²⁾ Dimensions see page 105



6001a02

IMPORTANT

Use the valve body only for connecting the high-pressure plastic hose (incl. hose stud with groove) to the main metering device. The clamping ring of the valve body is not knurled and has a wide collar. Adequate for 350 bar.

SSV / SSV M /SSV D - Quicklinc outlet fitting, push-in type, continuation

(connections for GE M 8 x 1 and M 10 x 1)

Valve Body, straight, continuation



Fig. 37 Standard version for the connection of pressure plastic tube

From the secondary metering device to the lube point, Standard

Designation	Tube-Ø	Part no.
SSVM valve body with clamping ring RV 6511-4-M 8 x 1-S02	4 mm	226-14091-5
SSV valve body with clamping ring RV 6511-4-M 10 x 1-S02	4 mm	226-14091-6
SSV valve body with clamping ring RV 6511-6-M 10 x 1-S01	6 mm	226-14091-2 ¹⁾

¹⁾ Dimensions see page 105



6001a02

IMPORTANT

Use the valve body only for connecting the pressure plastic tube (Ø 4 x 1.5 mm or 6 x 1.5 mm). The clamping ring of the valve body is knurled and has a narrow collar.

Valve Body 90° with clamping ring



Fig. 38 Reinforced version for the connection of hose studs

From the main metering device to the secondary metering device, reinforced version

Designation	Tube-Ø	Part no.
WRVV 6521-6-M 10 x 1	6 mm	226-14091-8 ¹⁾



6001a02

IMPORTANT

Use the valve body only for connecting the high-pressure plastic hose (incl. hose stud with groove) to the main metering device. The clamping ring of the valve body is not knurled and has a wide collar. Adequate for 350 bar

From the secondary metering device to the lube point, Standard

Designation	Tube-Ø	Part no.
WRV 6511-6-M 10 x 1	6 mm	226-14091-9 ¹⁾

¹⁾ Dimensions see page 105

Closure Plugs

Closure Plug SSV M (for internal combining of outlets)

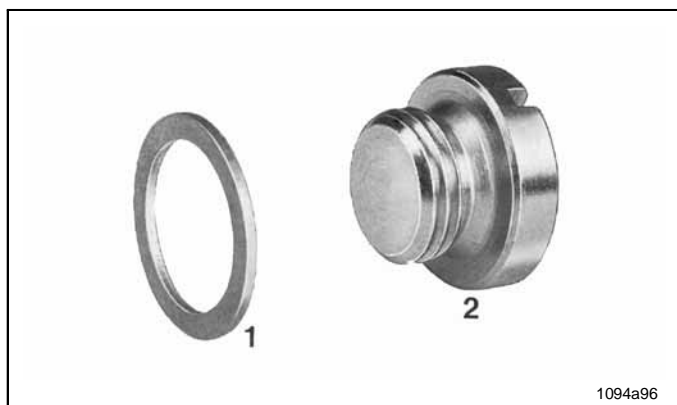


Fig. 39 Closure plug SSV M

Item	Designation	Thread- & inner Ø	Part no.
SSVM			
1	Copper washer	Ø 8 mm	209-12464-7
2	Closure plug	M 8 x 1	303-17530-1

Closure Plug SSV, SSV M, SSV D (for internal combining of outlets)



Fig. 40 Closure plug SSV, SSV D

Designation	Thread- & inner Ø	Part no.
SSV M		
Standard Closure plug	M 8 x 1	303-16284-1
SSV and SSV D		
Standard Closure plug	M 10 x 1	303-17499-3
High grade steel (1.4571)		
Closure plug	M 10 x 1	303-19346-2
O-ring (not shown)	Ø 10 x 1	219-13798-3



6001a02

NOTE

Use O-ring only if the closure plug (which is provided with a blind head ring) does not seal correctly any longer after tightening it at 18 Nm.

Other Fittings

External outlet combining element, screw-type

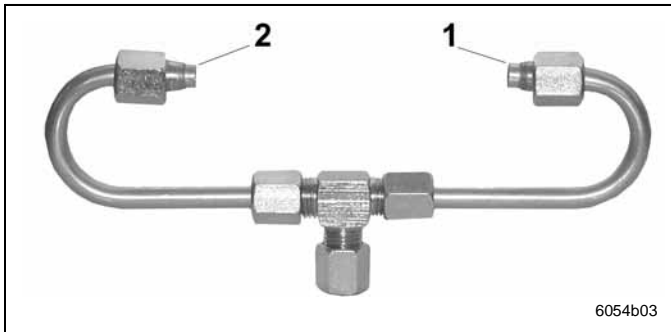


Fig. 41 Outlet combining element, screw-type

Part no.
519-31826-1



6001a02

NOTE

With the outlet-combining element, the grease quantities of outlet 2 and 1 of metering devices SSV 6 to 22 (see Fig. 41) and the grease quantities of the two outlets with the highest numbers of the combined metering devices SSV 14 to 22 can be supplied to one lube point.

Fixing parts

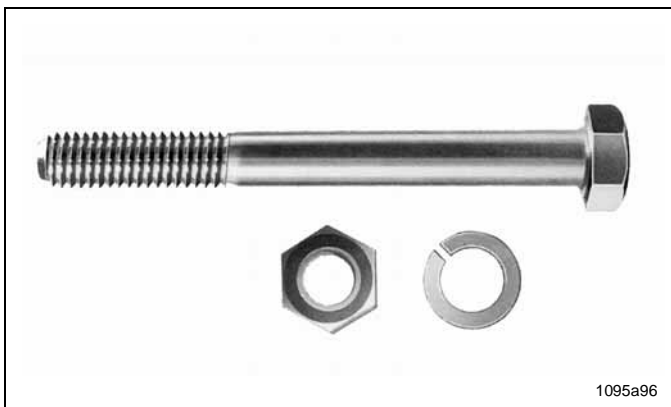


Fig. 42 Fixing parts

Designation	Dimension	Part no.
Standard		
Hexagon head screw	M6 x 40 C	200-12000-3
Hexagon head screw	M6 x 50 C	200-12037-6
Hexagon head screw	M5 x 45 C	200-13017-5
Hexagon head screw	M5 x 55 C	200-13092-2
Hexagon head screw	M6 x 45 C	200-13092-3
Hexagon head screw	M6 x 55 C	200-13037-7
Hexagon head screw	M6 x 60 C	200-13037-3
Hexagon socket head screw	M6 x 45 C	201-12019-3
Hexagon socket head screw	M6 x 60 C	201-12019-6
Hexagon nut	M5 C	207-12138-2
Hexagon nut	M6 C	207-12135-5
Hexagon head screw + washer	M8 x 40 C	200-14165-1
Spring-lock washer	A 6 C	213-12168-8
Tooth-lock washer	J 5.3 Z	210-12161-9
Washer, ST	A 8.4 C	209-13077-1
Seal-lock Hexagon nut	M8	207-12516-1
Hexagon head screw	M8 x 30 C	200-12007-6

High-grade steel (1.4571)

Hexagon head screw	M6 x 60	200-13726-1
Hexagon socket head screw	M6 x 45	201-13741-4
Hexagon socket head screw	M6 x 50	201-13741-5
Washer	6.4	209-12152-9
Washer	A 6.4	209-13683-2
Hexagon nut	M6	207-13657-6

Other Fittings, continuation

SSV-pressure control



Fig. 43 SSV-pressure control

SSV Pressure control, assy. with threaded housing

Designation	Dimension female thread	Pressure	Part no.
Pressure indicator	M10 x 1	50 bar	532-32680-1
Pressure indicator	M10 x 1	200 bar	532-32681-1
Pressure indicator	M10 x 1	270 bar	532-32682-1
Pressure indicator	M10 x 1	400 bar	532-32683-1

Connecting Elements, Screw-Type

Male connector (Tube Ø 4 mm)



Fig. 44 Male connector (tube Ø 4 mm)

Model	Part no.
Standard	
GE4-LLM 6 x 1KC	223-12533-5 ¹⁾
GE4-LLM 8 x 1KC	223-12271-8 ¹⁾
GE4-LLM 10 x 1KC	223-13069-1 ¹⁾
GE4-LLR 1/8 KC	223-12270-8 ¹⁾

¹⁾ Dimensions see page 102

Connecting Elements, Screw-Type, continuation

Male connector (tube Ø 6 mm)



Fig. 45 Male connector (tube Ø 6 mm)

Model	Part no.
-------	----------

Standard

GE6-LLM 6 x 1KC	223-12533-9 ¹⁾
GE6-LLM 8 x 1KC	223-13023-1 ¹⁾
GE6-LLM 10 x 1KC	223-12271-7 ¹⁾
GE6-LLR 1/8KC	223-12270-7 ¹⁾
GE6-LG 1/4AC	223-12477-8

High-grade steel (1.4571)

GE6-LLM 6 x 1K	223-13658-7
GE6-LLM 8 x 1K	223-13658-6
GE6-LLM 10 x 1K	223-13658-5
GE6-LLG 1/8A	223-13614-9
GE6-L 1/8 NPTA	223-13784-2
GE6-LG 1/8A	223-13658-2
GE6-LG 1/4A	223-13658-9

¹⁾ Dimensions see page 102

Male connector (tube Ø 8 mm)



Fig. 46 Male connector (tube Ø 8 mm)

Model	Part no.
-------	----------

GE8-LLM 10 x 1KC	223-13021-1 ¹⁾
GE8-LM 12 x 1.5KC	223-12361-6 ¹⁾
GE8-LLR 1/8KC	223-12270-9 ¹⁾
GE8-LLR 1/4KC	223-13621-6 ¹⁾
GE8-LG 1/4AC	223-12477-6

¹⁾ Dimensions see page 102

Male elbow (tube Ø 4 mm)



Fig. 47 Male elbow (tube Ø 4 mm)

Model	Part no.
-------	----------

WE4-LLM 6 x 1KC	223-12533-6 ¹⁾
WE4-LLM 8 x 1KC	223-13021-5 ¹⁾
WE4-LLM 10 x 1KC	223-13069-2 ¹⁾
WE4-LLR 1/8KC	223-13021-4 ¹⁾

¹⁾ Dimensions see page 102

Connecting Elements, Screw-Type, continuation

Male elbow (tube Ø 6 mm)



Fig. 48 Male elbow (tube Ø 6 mm)

Model	Part no.
Standard	
WE6-LLM 6 x 1KC	223-13023-2 ¹⁾
WE6-LLM 8 x 1KC	223-13023-3 ¹⁾
WE6-LLM 8 x 1.25KC	223-13763-4
WE6-LLM 10 x 1KC	223-13021-3 ¹⁾
WE6-LLR 1/8KC	223-12485-9 ¹⁾
WE6-LR 1/4KC	223-12380-6
High-grade steel (1.4571)	
WE6-LLM 6 x 1K	223-13677-4
WE6-LLM 8 x 1K	223-13677-2
WE6-LLM 10 x 1K	223-13677-3
WE6-LLR 1/8K	223-12453-7
WE6-LR 1/8K	223-13620-8
WE6-LR 1/4K	223-13794-1
WE6-SR 1/4K	223-13620-1

¹⁾ Dimensions see page 102

Male elbow (tube Ø 8 mm)



Fig. 49 Male elbow (tube Ø 8 mm)

Model	Part no.
WE8-LLM 10 x 1KC	223-12362-4 ¹⁾
WE8-LM 12 x 1.5KC	223-12362-8 ¹⁾
WE8-LLR 1/8KC	223-13021-6 ¹⁾
WE8-SR 1/4KC	223-13048-4

¹⁾ Dimensions see page 102

Extension adapter



Fig. 50 Extension adapter

Model	Thread, female	Thread, male	Part no.
RK 605	M 8 x 1	M 8 x 1 K	304-19437-1 ²⁾
	M 10 x 1	M 10 x 1 KC	304-19509-1 ²⁾
	M 10 x 1	R 1/8 KC	304-19230-1 ²⁾
	M 10 x 1	M 12 x 1 KC	712-12724-7 ²⁾
	G 1/8	M 8 x 1 KC	304-19167-1 ²⁾
chromated	M 8 x 1	M 8 x 1.25 KC ³⁾	304-19548-1 ²⁾
	M 8 x 1	M 6 x 1 KAC	304-19787-1 ²⁾

²⁾ Dimensions see page 103

³⁾ for Renault

Connecting Elements, Screw-Type, continuation

Adapter 90°



Fig. 51 Adapter 90°

Thread, female	Thread, male	Part no.
M 8 x 1 C	M 8 x 1 K	432-24043-1
M 8 x 1 C	M 10 x 1 K	432-24052-1
G 1/8	R 1/8 K	432-70674-1



6001a02

NOTE

When screwing in a threaded fitting take care that the outlet borehole of the elbow fittings is not closed by the threaded piece of the inlet fitting.

Adapter 45°



Fig. 52 Adapter 45°

Thread, female	Thread, male	Part no.
M 8 x 1	M 8 x 1 K	432-24050-1
M 8 x 1	M 10 x 1 K	432-24051-1
G 1/8	R 1/8 K	432-70673-1
M 10 x 1	M 8 x 1 K	432-71483-1



6001a02

NOTE

When screwing in a threaded fitting take care that the outlet borehole of the elbow fittings is not closed by the threaded piece of the inlet fitting.

Banjo connector 90°



Fig. 53 Banjo connector 90°

Model	Tube-Ø	Part no.
SWV E4-LLG 1/8 AC	4 mm	223-13629-1 ¹⁾
SWV E4-LLM 10 x 1 C	4 mm	223-12480-8 ¹⁾
SWV E6-LLG 1/8 AC	6 mm	223-12479-9 ¹⁾
SWV E6-LLM 10 x 1 C	6 mm	223-12480-7 ¹⁾

¹⁾ Dimensions see page 102

Subject to modification

Connecting Elements, Screw-Type, continuation

Straight swivel



Fig. 54 Straight swivel

Model	Part no.
-------	----------

1/8 i x 1/8 a NPT 223-12567-3



6001a02

NOTE

To be used only for occasional rotary movements.

Maximum admissible pressure 50 bar

90° angle swivel



Fig. 55 90° angle swivel

Model	Part no.
-------	----------

1/8 i x 1/8 a NPT 223-12567-1



6001a02

NOTE

To be used only for occasional rotary motions.

Maximum admissible pressure 50 bar

Straight swivel

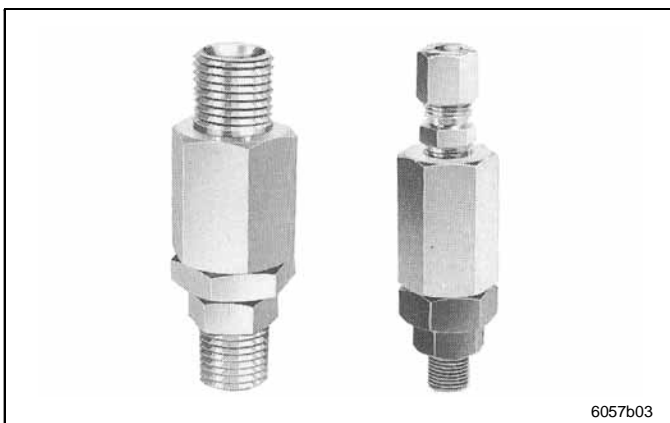


Fig. 56 Straight swivel

Connecting thread	Part no.
-------------------	----------

G 1/4 A x G 1/4 A C	626-25721-2
G 1/8 A x G 1/4 A C	626-25720-2
G 1/8 A x tube Ø 4 mm C	626-26696-2
G 1/8 A x tube Ø 6 mm C	626-26697-2
G 1/4 A x tube Ø 4 mm C	626-26698-2
G 1/4 A x tube Ø 6 mm C	626-26699-2

Maximum admissible speed 80 rpm

Maximum admissible pressure 100 bar

Connecting Elements, Screw-Type, continuation

90° angle swivel

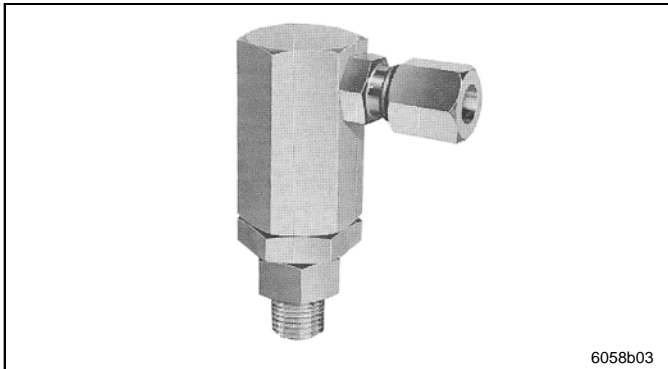


Fig. 57 90° angle swivel

Connecting thread	Part no.
-------------------	----------

G 1/4 A x G 1/4 A C	626-25716-2
G 1/4 A x G 1/8 A C	626-25540-2
G 1/8 A x tube Ø 4 mm C	626-26700-2
G 1/8 A x tube Ø 6 mm C	626-25438-2
G 1/4 A x tube Ø 4 mm C	626-26701-2
G 1/4 A x tube Ø 6 mm C	626-25717-2

Maximum admissible speed 80 rpm
Maximum admissible pressure 100 bar

Union



Fig. 58 Union

Model	Part no.
-------	----------

Standard		
G4-LLC	4 mm	223-12531-8
G6-LLC	6 mm	223-12482-9 ¹⁾

High-grade steel		
G6-LL	6 mm	223-12454-7

¹⁾ Dimensions see page 103

Union-tee



Fig. 59 Union-tee

Model	Part no.
-------	----------

Standard		
T4-LLC	4 mm	223-12563-5
T6-LLC	6 mm	223-12484-9 ¹⁾
T6-LC	6 mm	223-12484-2

High-grade steel		
T6-L	6 mm	223-12455-7

¹⁾ Dimensions see page 103

Quickline Connecting fittings, push-in type

Male connector



Fig. 60 Male connector, standard design

Model	Tube Ø	Part no.
Standard		
GEK 6510-4-M 6 x 1-S01	4 mm	226-13752-3 ¹⁾
GEK 6510-4-M 8 x 1-S01	4 mm	226-13752-1 ¹⁾
GEK 6510-4-M 10 x 1-S01	4 mm	226-13752-2 ¹⁾
GEK 6510-4-1/8-S01	4 mm	226-13752-4 ¹⁾
GEK 6510-6-M 6 x 1-S01	6 mm	226-13752-8 ¹⁾
GEK 6510-6-M 8 x 1-S01	6 mm	226-13752-7 ¹⁾
GEK 6510-6-M 10 x 1-S01	6 mm	226-13752-6 ¹⁾
GEK 6510-6-1/8-S01	6 mm	226-13752-9 ¹⁾
GEK S6510-6-1/8-S02	6 mm	226-14111-5 ¹⁾
GEZ-S 6510-6-1/4	6 mm	226-13746-9

¹⁾ Dimensions see page 104



6001a02

IMPORTANT

Use this fitting **only** for the connection to the lubrication points. It is suitable for the connection of the pressure plastic tube (Ø 4 x 1 und 6 x 1,5 mm) only.

Model	Tube Ø	Part no.
Special fittings		
GEZ 6512-3-M 3	3 mm	226-10210-8
GEK 6512-4-M 5	4 mm	226-10210-5
GEK 6512-4-M 6	4 mm	226-10210-6
GEZ 6512-4-M 6 x 0.75	4 mm	226-10210-9
GEK 6512-4-M 8 x 1	4 mm	226-10210-7
GEK 6512-6-M 6	6 mm	226-10210-3
GEK 6512-6-M 8 x 1	6 mm	226-10210-4



Fig. 61 Male connector, push-in type, with reinforced collar

Model	Tube Ø	Part no.
Reinforced design		
GEKV 6510-6-M6 x 1-S03	6 mm	226-14111-4
GEKV 6510-6-M8 x 1-S03	6 mm	226-14111-2
GEKV 6510-6-M10 x 1-S03	6 mm	226-14111-3
GEKV 6510-6-1/8-S01	6 mm	226-14111-1
GEZV 6511-6-1/4-S01	6 mm	226-14139-1



6001a02

IMPORTANT NOTE

Use this fitting **only** for the connection to the lubrication points, if the pressure plastic tube is replaced by **high-pressure hose**. Suitable for a pressure of 350 bar.

Quickline Connecting Elements, Push-in Type, continuation

Male elbow



Fig. 62 Male elbow with knurled collar

Model	Tube Ø	Part no.
Standard design		
WEK 6500-4-M 6 x 1-S01	4 mm	226-13753-5 ¹⁾
WEK 6500-4-M 8 x 1-S01	4 mm	226-13753-1 ¹⁾
WEK 6500-4-M 10 x 1-S01	4 mm	226-13753-2 ¹⁾
WEK 6500-4-1/8-S01	4 mm	226-13753-3 ¹⁾
WEK 6500-6-M 6 x 1-S01	6 mm	226-13753-7 ¹⁾
WEK 6500-6-M 8 x 1-S01	6 mm	226-13753-8 ¹⁾
WEK 6500-6-M 10 x 1-S01	6 mm	226-13753-6 ¹⁾
WEK 6500-6-1/8-S01	6 mm	226-13753-4 ¹⁾
WEK S6500-6-1/4-S01	6 mm	226-14123-1
WEK 6500-8-1/8-S01	8 mm	226-14123-6

¹⁾ Dimensions see page 104



IMPORTANT NOTE

Use this fitting **only** for the connection of the lubrication points. The fitting is designed only for the connection of the pressure plastic tube Ø 4 x 1 mm and Ø 6 x 1.5 mm.



Fig. 63 Male elbow with reinforced collar

Model	Tube Ø	Part no.
Reinforced collar		
WEKV - 6500-6-M6 x 1-S03	6 mm	226-14123-4
WEKV - 6500-6-M8 x 1-S03	6 mm	226-14123-2
WEKV - 6500-6-M10 x 1-S03	6 mm	226-14123-3
WEKV - 6500-6-1/8-S02	6 mm	226-14123-5



IMPORTANT NOTE

Use this fitting only for the connection to the lubrication points, if the pressure plastic tube is replaced by **high-pressure hose** with hose stud and threaded sleeve. Suitable for a pressure of 350 bar.

Quicklinc Connecting Elements, Push-in Type, continuation

Male elbow, rotary



Fig. 64 Male elbow, rotatable, standard design

Model	Tube Ø	Part no.
Standard design		
WEDK 6520-4-M6 x 1-S01	4 mm	226-13756-6 ¹⁾
WEDK 6520-4-M8 x 1-S01	4 mm	226-13756-1 ¹⁾
WEDK 6520-4-M10 x 1-S01	4 mm	226-13756-2 ¹⁾
WEDK 6520-4-1/8-S01	4 mm	226-13756-3 ¹⁾
WEDK 6520-6-M6 x 1-S01	6 mm	226-13756-7 ¹⁾
WEDK 6520-6-M8 x 1-S01	6 mm	226-13756-4 ¹⁾
WEDK 6520-6-M10 x 1-S01	6 mm	226-13756-5 ¹⁾
WEDK 6520-6-1/8-S01	6 mm	226-13756-8 ¹⁾
WEDZ 6522-6-1/4	6 mm	226-13776-1

¹⁾ Dimensions see page 104



NOTE

Use only for occasional rotary motions; pivoting angle < 180°. For other applications use a straight rotary swivel, 90° or a similar fitting.

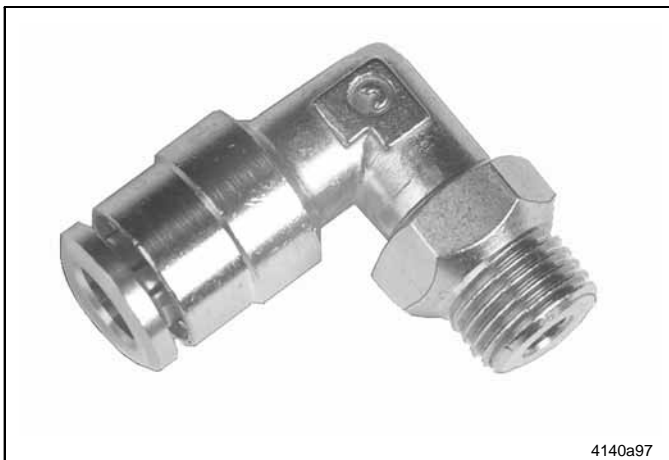


Fig. 65 Male elbow, rotatable, reinforced collar

Model	Tube Ø	Part no.
Reinforced collar		
WEDKV 6520-6-1/8-S02	6 mm	226-13756-9
WEDKV 6520-6-1/4-S02	6 mm	226-14157-4
WEDKV 6520-6-M10 x 1-S02	6 mm	226-14157-2
WEDKV 6520-6-M8 x 1S02	6 mm	226-14157-1
WEDKV 6520-6-M6 x 1S99	6 mm	226-14157-3



IMPORTANT

Use this fitting only for the connection to the lubrication points, if the pressure plastic tube is replaced by **high-pressure hose** with hose stud and threaded sleeve. Suitable for a pressure of 350 bar



Fig. 66 Male elbow, rotatable, standard design

Model	Tube Ø	Part no.
Reinforced collar for 350 bar		
WEDZV 6622-6-M10 x 1-S	6 mm	226-10223-6
WEDZV 6622-6-M8 x 1-S	6 mm	226-10223-4
WEDZV 6622-6-1/8 -S	6 mm	226-10223-2
Standard design		
WEDZ 6622-6-M10 x 1-S	6 mm	226-10223-5
WEDZ 6622-6-M8 x 1-S	6 mm	226-10223-3
WEDZ 6622-6-1/8 -S	6 mm	226-10223-1

Quicklinc Connecting Elements, Push-in Type, continuation

Male elbow, continuation



Fig. 67 Male elbow, rotatable, standard design

Model	Tube Ø	Part no.
Special fitting		
WEDZ 6522-3-M3	3 mm	226-10412-4
Standard design		
WEDZ 6522-4-M3	4 mm	226-10412-5
WEDZ 6522-4-M5	4 mm	226-13776-7
WEDZ 6522-4-M6	4 mm	226-13776-8
WEDZ 6522-4-M6 x 0.75	4 mm	226-10412-6
WEDZ 6522-4-M8	4 mm	226-13776-9
WEDZ 6522-6-M6	6 mm	226-10412-2
WEDZ 6522-6-M8	6 mm	226-10412-3



6001a02

NOTE

Use only for occasional rotary motions; pivoting angle < 180°. For other applications use a straight rotary swivel, 90° or a similar fitting.

Banjo connector



Fig. 68 Banjo connector

Model	Part no.
Standard design	
SWVZ 6-1/8	504-36893-1

T-piece, reinforced



Fig. 69 T-piece, reinforced

Model	Tube Ø	Part no.
TSV 6540-6-S02		226-14097-4 ¹⁾

¹⁾ Dimensions see page 105



6001a02

NOTE

Use only for combining two lubricant quantities, either from the main metering device to a secondary metering device or back to the pump. Designed for high-pressure hose (Ø 8.6 x 2.3 mm) with hose stud and groove.

Quicklinc Connecting Elements, Push-in Type, continuation

Bulkhead fitting



Fig. 70 Bulkhead fitting

Model	Female thread	Part no.
Standard design		
SV 6590-6-S05	M 8 x 1	226-10214-2
SV 6590-6-S03	G 1/8	226-13755-7
Reinforced collar		
SVV 6590-6-S04	G 1/8	226-13755-8



NOTE

In combination with a hydraulic lubrication fitting, all variants can also be used as a lubrication fitting block (see page 82, Fig. 133).

Zerk-Lock fitting for lubrication fitting connection



Fig. 71 Zerk-Lock fitting for the direct connection between pressure plastic tube and lubrication fitting

Designation	Tube Ø	Part no.
Zerk-Lock fitting	6 mm	532-32385-1
Consisting of:		
Zerk-Lock adapter		270784
GEK C6510-6 1/8 NPTF-D99		226-14111-6

Drop

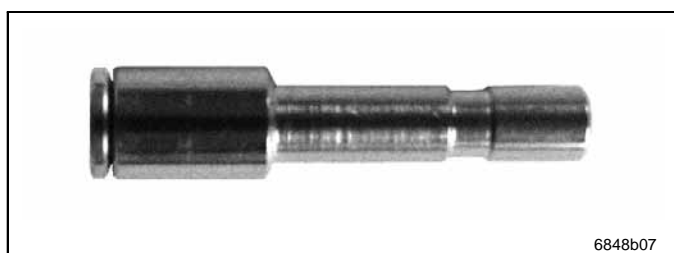


Fig. 72 Drop 6800

Designation	Tube -Ø	Tube -Ø	Part no.
Drop 6800 3-4	3 mm	4 mm	226-10417-3
Drop 6800 4-6	4 mm	6 mm	226-10417-2
Drop 6800 4-8	4 mm	8 mm	226-10417-1

Quickline Connecting Elements, Push-in Type

T-Piece



Fig. 73 T-piece

Model	Part no.
TS 6540-6-S01	226-14097-2 ¹⁾
TS 6540-8	226-14097-3

¹⁾ Dimensions see page 105



6001a02

NOTE

Use only for combining two lubricant quantities. Designed for pressure plastic tube (Ø 6 x 1.5 mm) for the connection from a secondary metering device to a lubrication point.

Line connector



Fig. 74 Line connector

Model	Part no.
Standard design	
GS 6580-4	226-13773-1
For pressure plastic tube Ø 4 x 1 mm	
GS 6580-6-S01	226-13773-3
For pressure plastic tube Ø 6 x 1.5 mm	

Reinforced design

GSV 6580-6-S02 226-13773-4
For high-pressure hose (Ø 8.6 x 2.3 mm), with hose stud and groove.



6001a02

NOTE

To be used for the repair of high-pressure hose and pressure plastic tube.

Line connector



Fig. 75 Line connector

Model	Part no.
D6 x 1.5 x 40 mm	432-24280-1
For high-pressure hose (Ø 8.6 x 2.3 mm), with hose stud and groove.	



6001a02

NOTE

Use in conjunction with T-piece 226-14097-4.

Subject to modification

Quicklub Accessories

Protective cap for push-in type fittings



00002630

Fig. 76 Protective cap for push-in type fittings

Part no.

432-24313-1



6001a02

NOTE

For the protection against humidity and dirt.

Closure plug



10002707

Fig. 77 Closure plug

Ø (mm)	Part no.
--------	----------

D 6	226-13797-3
-----	-------------



6001a02

NOTE

For closing the return line connection on the pump.

Assortment case



1144b07

Fig. 78 Assortment case

Designation	Part no.
-------------	----------

Assortment case Quicklub	604-28196-1
--------------------------	-------------



6001a02

NOTE

For the completion or repair of Quicklub-progressive systems.

Lines and Accessories

Pressure plastic tube, filled with grease



1145a96

Fig. 79 Pressure plastic tube

Designation	Outer Ø x Side thickness in mm	Part no.
Pressure plastic tube	4 x 1	504-36061-7
Pressure plastic tube	6 x 1.5	504-36041-2

Max. operating pressure 89 bar
 Bursting pressure at 20 °C approx. 210 bar
 Min. bending radius 50 mm
 Roller, max. length 100 m
 Grease filling Fuchs FWA 120

Pressure plastic tube, without grease filling

Designation	Outer Ø x Side thickness in mm	Part no.
Pressure plastic tube	4 x 1	112-35127-7

Bursting pressure at 20 °C approx. 210 bar
 Min. bending radius 50 mm



6001a02

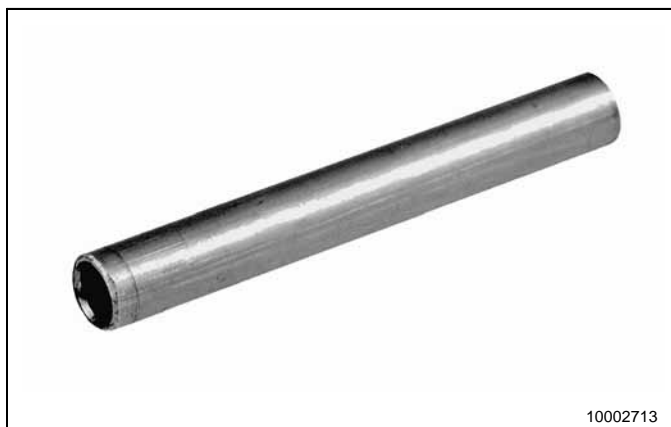
NOTE

Do not use pressure plastic tube (Ø 4 x 1 mm) for dispensing grease in the case of applications in commercial vehicles.

Designation	Outer Ø x Side thickness in mm	Part no.
Pressure plastic tube	6 x 1.5	112-35127-2

Bursting pressure at 20 °C approx. 210 bar
 Min. bending radius 50 mm

Steel tube



10002713

Fig. 80 Steel tube

Length 3 m

Design	Outer Ø x Side thickness in mm	Part no.
Standard	6 x 1	105-35019-1
	8 x 1	105-35251-3
Galvanized	6 x 1	105-35025-2
	8 x 1	105-35025-3

High-grade steel 1.4541	6 x 1	106-35064-4
	8 x 1	106-35063-1
High-grade steel 1.4571	6 x 1	106-35203-4
	8 x 1	106-35203-3
High-grade steel 1.4301	6 x 1	106-35231-1
	10 x 1	106-35231-3

Lines and Accessories, continuation

High-pressure hose KF300, filled with grease



Fig. 81 High-pressure hose KF300 or KF400

Designation	Inner Ø x Side Thickness in mm	Part no.
High-pressure hose KF300, running m	4.1 x 2.3	504-36033-3
KF300, 25 m		504-36723-9
Max. operating pressure	350 bar	
Min. bursting pressure (with hose coupling, screwed) at 20 °C.....	600 bar	
Temperature range	-40 °C to + 70 °C	
Min. bending radius	35 mm	
Roller, max. length	50 m	
Grease filling	Fuchs Renocal 745	

High-pressure hose KF300, without grease filling

Designation	Inner Ø x Side Thickness in mm	Part no.
High-pressure hose KF300, running m	4.1 x 2.3	111-35114-1
Max. operating pressure	350 bar	
Min. bursting pressure (with hose coupling, screwed) at 20 °C.....	600 bar	
Temperature range	-40 °C to + 70 °C	
Min. bending radius	35 mm	
Roller, max. length.....	50 m	

High-pressure hose KF400, without grease filling

Designation	Inner Ø x Side Thickness in mm	Part no.
High-pressure hose KF400	6 x 2.5	111-35301-4
Max. operating pressure	350 bar	
Min. bursting pressure at 20 °C	approx. 840 bar	
Temperature range	-40 °C to + 70 °C	
Min. bending radius	45 mm	
Roller, max. length.....	50 m	

Lines and Accessories, continuation

Press-fit hose couplings (for hydraulic pressing only)

For high-pressure hose KF300

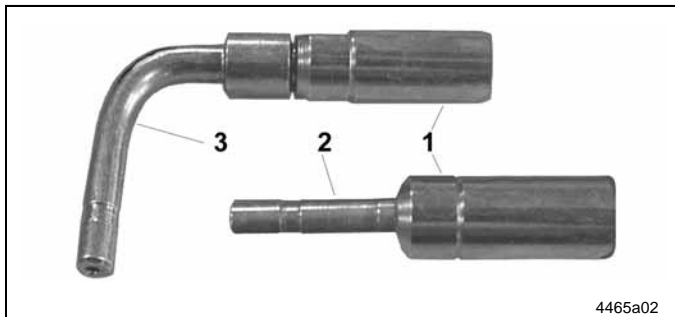


Fig. 82 Hydraulic press-fit hose couplings for KF300

Item	Designation	Stud Ø	NW	Part no.
1	Compression sleeve		4 mm	432-23787-1
2	Hose stud, straight F VA	6 mm	4 mm	432-23781-1
		6 mm	4 mm	432-23777-1
3	Hose stud 90°	6 mm	4 mm	532-32425-1

Press dimension on inquiry

For high-pressure hose KF300

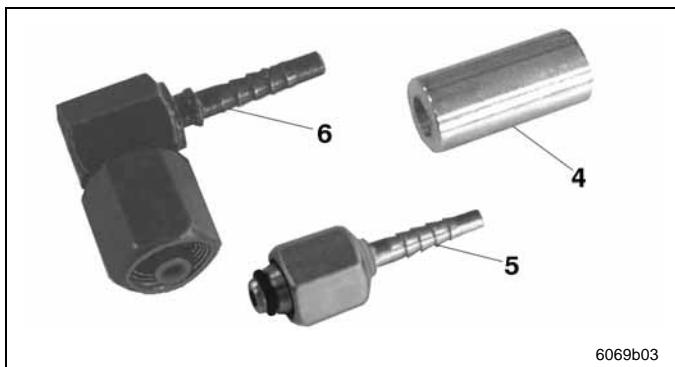


Fig. 83 DKO L and DKOLL hose stud for KF300

Item	Designation	Thread	NW	Part no.
4	Compression sleeve DKO L and LL		4 mm	432-70025-1
5	Hose stud, straight F DKO L F DKO LL	M12 x 1	4 mm	532-32491-1
		M10 x 1	4 mm	532-32492-1
	Hose coupling, straight DKO L	M10 x 1	4 mm	532-32456-1
6	Hose stud 90° F DKO L F DKO LL	M12 x 1	4 mm	532-32301-1
		M10 x 1	4 mm	532-32302-1

Press dimension on inquiry

For high-pressure hose KF400

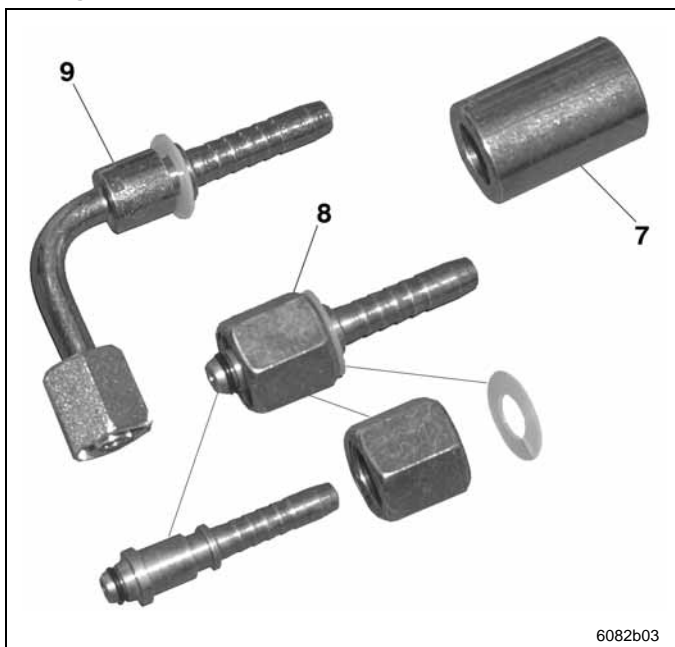


Fig. 84 DKO L hose stud for KF400

Item	Designation	Thread	Outer tube Ø	NW	Part no.
7	Compression sleeve DKO L			6 mm	226-10087-7
8	Hose stud, straight DKO L DKO L DKO L	M12 x 1.5	6 mm	6 mm	226-10087-2
		M14 x 1.5	8 mm	6 mm	226-10087-3
		M16 x 1.5	10 mm	6 mm	226-10087-4
	Hose stud 90° DKO L DKO L DKO L	M12 x 1.5	6 mm	6 mm	226-10087-5
		M14 x 1.5	8 mm	6 mm	226-10087-6
		M16 x 1.5	10 mm	6 mm	226-10087-8

Press dimension on inquiry

Subject to modification

Lines and Accessories, continuation

Threaded sleeve and hose stud

For high-pressure hose KF300

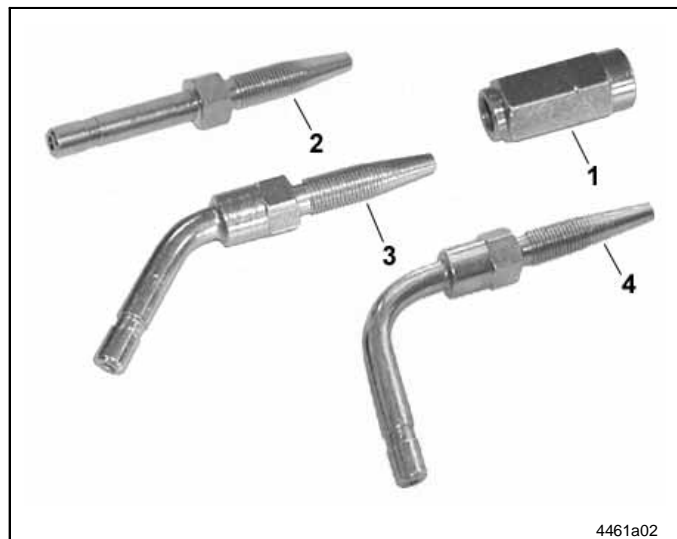


Fig. 85 Threaded sleeve and hose stud for high-pressure hose KF300

Item	Designation	Stud Ø	NW	Part no.
Standard design				
1	Threaded sleeve			432-23031-1
2	Hose stud, straight 21.5 mm (short)	6 mm	4 mm	432-24162-1
	Hose stud, straight 30 mm (long)	6 mm	4 mm	432-23067-1
3	Hose stud, 45° (short)	6 mm	4 mm	532-32183-1
4	Hose stud, 90° (short)	6 mm	4 mm	532-30739-1
	Hose stud, 90° (long)	6 mm	4 mm	532-30738-1

High-grade steel

1	Threaded sleeve			432-23676-1
2	Hose stud, short	6 mm	4 mm	432-23675-1

(For manual pressing only)

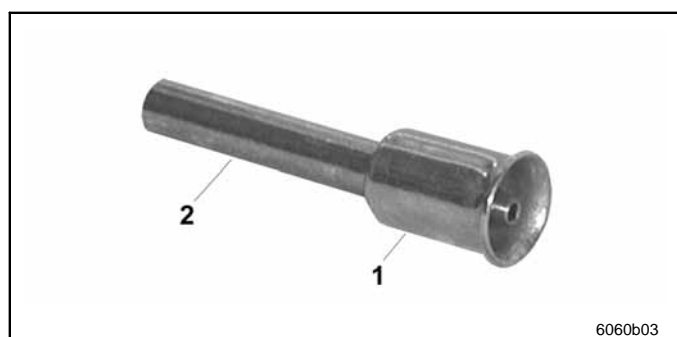


Fig. 86 Manual press-fit hose couplings

Item	Designation	Stud Ø	NW	Part no.
1	Compression sleeve F 4 & 6 mm			226-12490-1
	Hose stud F	4 mm	4 mm	432-21785-4
2	Hose stud F long	6 mm	4 mm	432-22488-2
	Hose stud F short	6 mm	4 mm	432-22539-1
	Hose stud F	6 mm	5 mm	432-22966-1
	Hose stud F for Quick-linc 90°	6 mm	4 mm	432-21786-4

Tube clamp with rubber lining



Fig. 87 Tube clamp with rubber lining

Tube Ø in mm	Fixing borehole in mm	Part no.
6	5.5	226-12557-1
9	5.5	226-12557-2
10	5.5	226-12557-7
12	5.5	226-12557-3
15	5.5	226-12557-4
20	5.5	226-12557-6

Lines and Accessories, continuation

Fixing parts for tube clamp

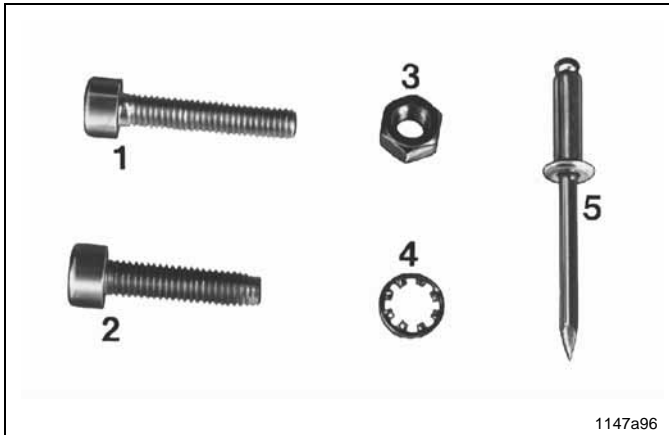


Fig. 88 Fixing parts for tube clamp

Item	Designation	Dimension	Part no.
1	Pan head screw	AM 5 x 16 C	201-12040-7
	Hexagon head screw	M 5 x 45 C	200-13017-5
2	Self-tapping screw	EM 5 x 16 Z	206-13710-1
		M 5 x 10	206-12124-5
		CM 5 x 40 Z	206-13710-2
3	Nut	M 5 C	207-12138-2
4	Tooth-lock washer	J 5.3 Z	210-12161-9
5	Blind rivet	D 4 x 12	206-12584-1

Tube clamp



Fig. 89 Tube clamp

Width 15 mm, material thickness 2 mm, bore \varnothing 7 mm

Number of tubes	Tube \varnothing	Part no.
1	6 mm	226-12335-7
2	8 mm	226-12337-1
3	8 mm	226-12337-2
4	8 mm	226-12337-3
5	8 mm	226-12337-4
6	8 mm	226-12337-5
7	8 mm	226-12337-6

Self-tapping screw

Designation	Thread	Part no.
galvanized	M 4 x 8	206-12123-3
galvanized	BM 6 x 12	206-12125-3

Tube clamp (high-grade steel 1.4571)

Number of tubes	Tube \varnothing	Part no.
1	6 mm	226-13716-1
2	6 mm	226-13716-2
3	6 mm	226-13716-3
4	6 mm	226-13716-4
5	6 mm	226-13716-5
1	8 mm	226-13717-1
2	8 mm	226-13717-2
3	8 mm	226-13717-3
4	8 mm	226-13717-4

Lines and Accessories, continuation

Plastic helix



1148a96

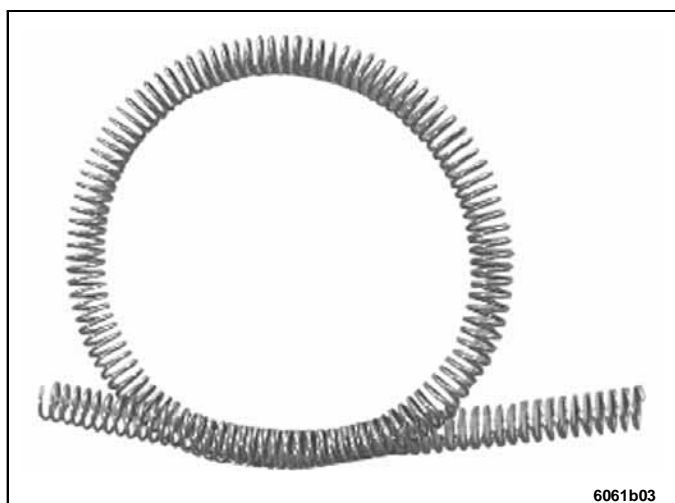
Fig. 90 Plastic helix

Ø in mm	Length ¹⁾	Part no.
6	10 m	113-35075-2
12	25 m	113-35075-3

The plastic helix serves to bundle several tubes together. It also protects the tube lines from wearing through.

¹⁾ available for order per meter

Spring coil



6061b03

Fig. 91 Spring coil

Dimensions in mm	Part no.
High-grade steel 1.4310	
DI 9 x 1.2 x 5000	111-35306-1
DI 17 x 1.8 x 5000	111-35306-2
DI 6.1 x 1.2 x 5000	111-35306-3

The spring coil serves as a protection against the wearing through of hose lines.

Hose strap



1149a96

Fig. 92 Hose strap

Designation		Part no.
short	186 x 4.8 mm	226-12490-3
long	360 x 4.8 mm	226-13095-1

Lines and Accessories, continuation

Adhesive clamp



1150a96

Fig. 93 Adhesive clamp

Dimensions	Part no.
28 x 28 mm	226-13095-6

Spacer



1151a96

Fig. 94 Spacer

Part no.
432-23774-1

For the attachment of pressure plastic tubes (\varnothing 6x1.5 mm) to existing tube lines. Attach the pressure plastic hoses and the spacer by means of a hose strap.

MaterialCR (Clorophene caoutchouc)

Cable sleeves



1152a96

Fig. 95 Cable sleeves

For tube \varnothing	Part no.
6	237-13375-1
9	237-13375-2
15	237-13375-3

Used for the connection on frames, etc.

Subject to modification

Lines and Accessories, continuation

Push-in type coupling without return line (cannot be coupled under pressure)

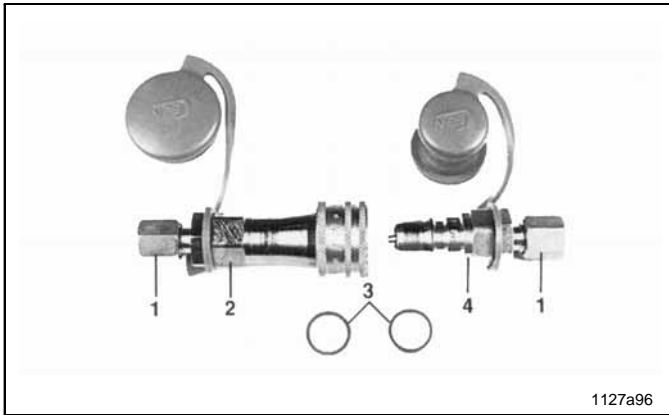


Fig. 96 Push-in type coupling without return line (cannot be coupled under pressure)

Item	Designation	Part no.
	Coupling assy Consisting of:	504-36804-5
1	GE 6 - LG1/4 AC	223-12477-8
2	Coupling with dust protection	504-32125-1
3	Copper washer 14 x 18 x 1.5	209-12158-6
4	Nipple with dust protection	251-14073-1



6001a02

IMPORTANT NOTE

If the system is put into operation although items 2 and 4 are separated, the coupling (item 2) **must** be connected to the pump via a return line.

Screw-type coupling without return line (can be coupled under pressure)

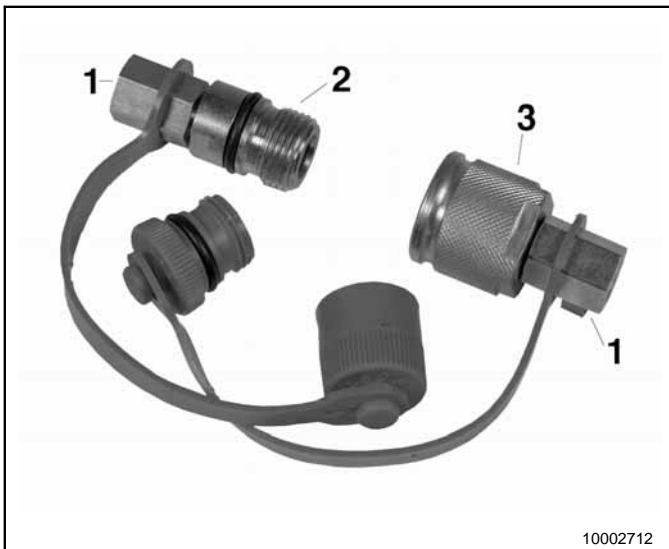


Fig. 97 Screw-type coupling without return line (can be coupled under pressure)

Item	Designation	Part no.
	Coupling assy Consisting of:	504-36804-6
1	GE 6 - LG1/4 AC	223-12477-8
2	Nipple with dust protection	251-14073-4
3	Coupling with dust protection Copper washer 14 x 18 x 1,5	226-13728-2 209-12158-6



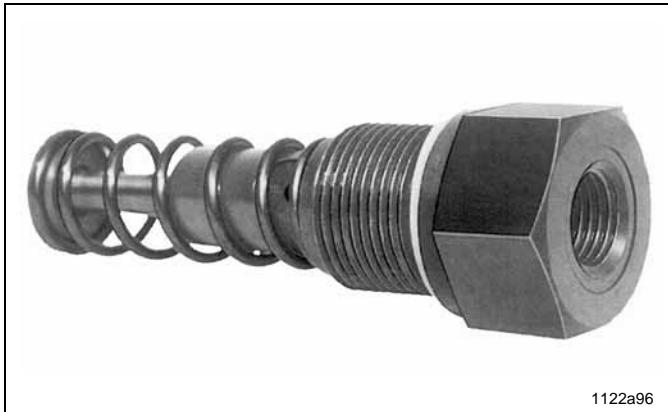
6001a02

IMPORTANT NOTE

If the system is put into operation although items 2 and 3 are separated, the coupling (item 3) **must** be connected to the pump via a return line.

Accessories for Central Lubrication Pump Models 203 and 103

Pump elements



1122a96

Fig. 98 Pump elements with fixed lubricant output

with fixed lubricant output

Type	Piston Ø	Male thread	Lubricant output	Female thread	Part no.
K5	5 mm	M22 x 1.5	2.0 cm ³ /min	G ¼"	600-26875-2
K6	6 mm	M22 x 1.5	2.8 cm ³ /min	G ¼"	600-26876-2
K7	7 mm	M22 x 1.5	4.0 cm ³ /min	G ¼"	600-26877-2
¹⁾ C7	7 mm	M22 x 1.5	4.0 cm ³ /min	G ¼"	600-28750-1
²⁾ S7	7 mm	M22 x 1.5	4.0 cm ³ /min	G ¼"	600-29110-1

¹⁾ Pump element for supplying of chisel paste

²⁾ Pump element suitable with grease based on silicon oil

The 203 pumps, which are designed for use on commercial vehicles, are equipped with one pump element K 6. For industrial applications, select the pump elements according to the above-mentioned table.

Each pump element must be **secured with a safety valve**. See under **Pressure relief valves** (see pages 72 to 74).



6251b04

Fig. 99 Pump elements with fixed lubricant output and bypass check valve

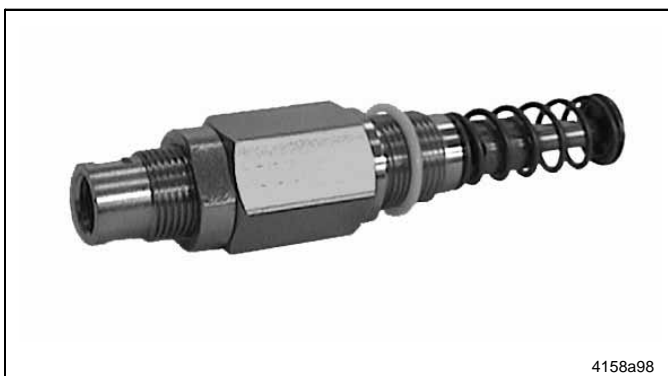
For application in the beverage industry ³⁾

Type	Piston Ø	Male thread	Lubricant output	Female thread	Part no.
K5	5 mm	M22 x 1.5	2.0 cm ³ /min	G ¼"	600-29303-1
K6	6 mm	M22 x 1.5	2.8 cm ³ /min	G ¼"	600-29304-1
K7	7 mm	M22 x 1.5	4.0 cm ³ /min	G ¼"	600-29305-1

with bypass check valve ³⁾

Type	Piston Ø	Male thread	Lubricant output	Female thread	Part no.
B7	7 mm	M22 x 1.5	2.0 cm ³ /min	G ¼"	600-29185-1

³⁾ chemical, galvanized pump elements



4158a98

Fig. 100 Pump elements with adjustable lubricant output

with adjustable lubricant output

Type	Piston Ø	Male thread	Lubricant output	Female thread	Part no.
KR	7 mm	M22 x 1,5	0,7 - 3,0 cm ³ /min	G ¼"	655-28716-1

Each pump element must be **secured with a safety valve**. See under **Pressure relief valves** (see pages 72 to 74).

Return-line connector with filler fitting

Designation	Part no.
Return-line connector for pump with 2 l reservoir	504-30698-1
Return-line connector with adapter and straight filler fitting for pump with 2 l flat-type reservoir, 4 l- and 8 l-reservoir	504-36071-5
Return-line connector with adapter and 90° filler fitting	504-36071-6

The return-line connector with filler fitting is designed to feed grease quantities that are not required back into the pump. It is installed instead of a normal filler fitting.



1114a96

Fig. 101 Return-line connector with filler fitting

Accessories for Central Lubrication Pump Model 203, cont.

Return-line connector, push-in type or screw type



Fig. 102 Return-line connector, push-in type or screw type
The return-line connection is designed to feed grease quantities that are not required back into the pump. It is installed instead of a closure plug (pump element).

Designation	Part no.
-------------	----------

Return-line connector, push-in type

Adapter M22 x 1.5a x G1/8 i	304-19619-1
WEDK 6520-6-1/8-S01	226-13756-8
Closure plug D6	226-13797-3

Return-line connector, screw type

Adapter M22 x 1.5a und G 1/8i	304-19619-1
WE 6-LLR1/8 KC ¹⁾	223-12485-9

Adapter M22 x 1.5 x R 1/4 IC	304-17571-1
GE 6-LG1/4 AC ¹⁾	223-12477-8
Dowel pin	215-12194-4



6001a02

¹⁾NOTE

Other fittings with 1/8" thread may be used on request.

Quick filling connection, pump 203 with filter

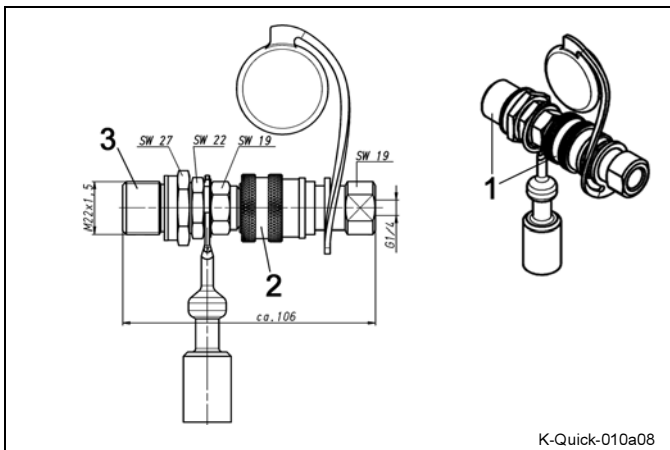


Fig. 103 Quick filling connection, pump 203 with filter

Designation	Thread	Part no.
-------------	--------	----------

1 Filler fitting with coupling plug and filter, assy. (pos. 2 & 3)		540-36753-5
2 Coupling plug with protective cap		504-32125-1
3 Filler fitting without coupling plug; with filter	M22 x 1.5	540-31800-1
3a Filler fitting without coupling plug; without filter	M22 x 1.5	504-36071-7

For a quicker filling with a hand-operated or pneumatic pump.

Quick filling connection, pump 203 without filter



Fig. 104 Quick filling connection, pump 203 without filter

Designation	Thread	Part no.
-------------	--------	----------

Filler fitting without coupling plug	G 1/4 ¹⁾	544-36961-1
Coupling plug with protective cap		504-32125-1

For a quicker filling with a hand-operated or pneumatic pump.

¹⁾ Connecting bore for filler fitting

Identification Code – Pressure Relief Valves

Examples of type designations

SV	-	200	-	R 3/8 A
SV	-	TE	-	350 - R 1/4 A - D6
SV	-	EVT	-	350 - G 1/4 A - D8
SV	-	EVT	-	350 - M 14x1.5 i - D6
SV	-	S	-	350 - 6 - 1/4 - 6

Basic type

SV = Pressure relief valve

Design of the pressure relief valve

TE = with TE fitting
EVT = with EVT stud
S = cross-chaped fitting

Max. pressure

in bar (fixed setting)

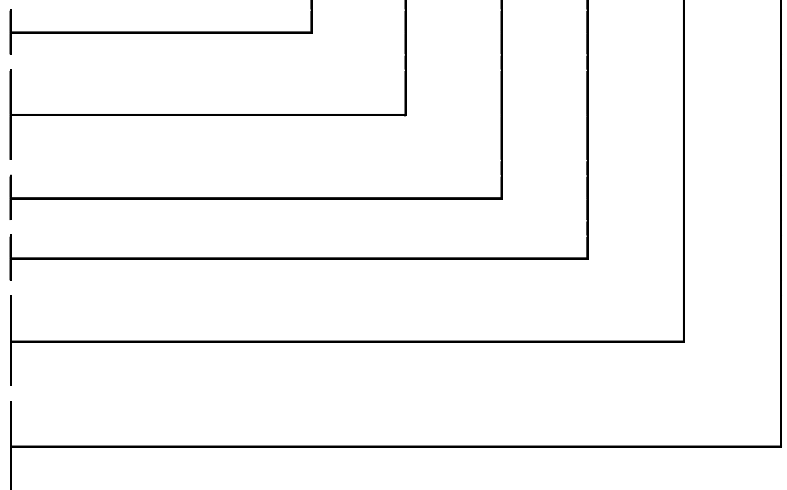
Connection for grease return

Type of connection (pump element)

R 1/4 A = male thread R 1/4 conical
G 1/4 A = male thread G 1/4 cylindrical
M 14 x 1.5 i = female thread M 14 x 1.5

Type of connection (main line)

D 6 = cutting ring fitting for tube D 6
D 8 = cutting ring fitting for tube D 8
6 = push-in type fitting for hose stud D 6



Pressure Relief Valves

Pressure relief valve, screw type



Fig. 105 Pressure relief valve, screw type

Design	Part no.
SVTE - 350 - 1/4 - D 6	624-28894-1
SVTE - 350 - 1/4 - D 6, Emergency lubrication fitting, left-hand	624-28896-1
SVTE - 350 - 1/4 - D 6, Emergency lubrication fitting, right-hand	624-28897-1
SVTE - 350 - 1/4 - D 8	624-28895-1
SVTE - 270 - 1/4 - D 6	624-28892-1
SVTE - 270 - 1/4 - D 8	624-28893-1
SVTE - 200 - 1/4 - D 6	624-28891-1

Adapter for 2 l flat-type reservoir, 4 l, 8 l
reservoir, nipple S 2520 - 1/4 - 1/4 - 25

Select an adequate pressure relief valve for the respective pump element.



Fig. 106 Cutting ring and coupling nut

Cutting ring and coupling nut

Design	Part no.
Coupling nut, ST M 6-S C	223-13032-2
Cutting ring, ST D 6-L/S	223-12295-3

Subject to modification

Pressure Relief Valves, continuation

Pressure relief valve, push-in type

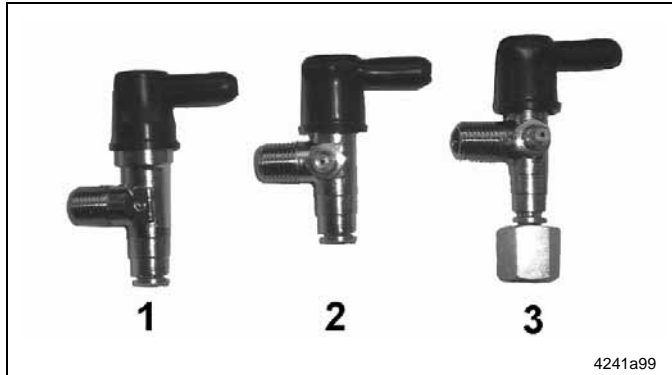


Fig. 107 Pressure relief valve, push-in type

Item	Design	Part no.
1	SVTS - 350 - 1/4 - 6	624-28860-1 ¹⁾
1	SVTS - 200 - 1/4 - 6	624-28861-1
	SVTS - 350 - 1/4 - 6, Emergency lubrication fitting, right-hand	624-28858-1
2	SVTS - 350 - 1/4 - 6, Emergency lubrication fitting, left-hand	624-28867-1
3	SVTS - 270 - 1/4 - 1/8NPTFI, Emergency lubrication fitting, right-hand	624-28859-1
	Adapter for 2 l flat-type reservoir, 4 l, 8 l reservoir, nipple S2520-1/4-1/4-25	226-14105-5

¹⁾ Dimensions see page 106

Select an adequate pressure relief valve for the respective pump element.

Kit : Pressure relief valve assembly with grease return to the reservoir

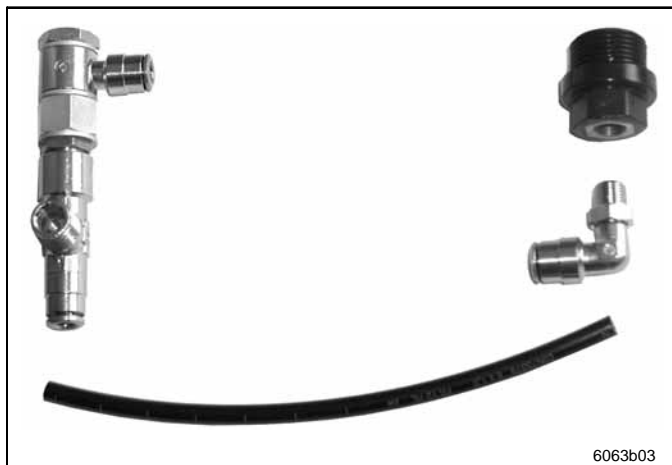
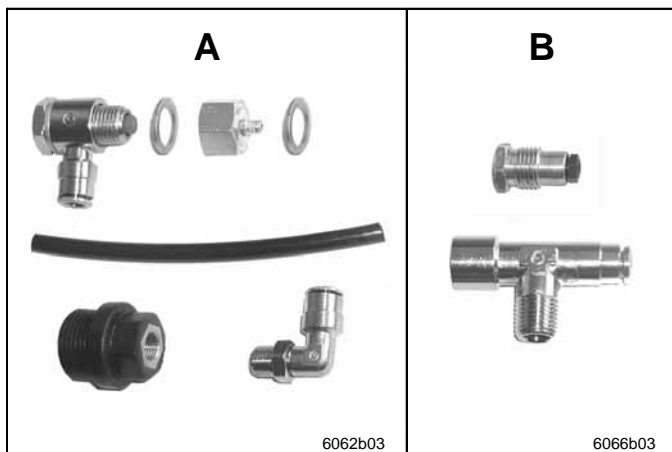


Fig. 108 Kit: Pressure relief valve assembly with grease return to the reservoir

Design	Part no.
SVS - 350 - 6 - 1/4 - 6	624-28931-1
SVS - 200 - 6 - 1/4 - 6	624-29087-1

Retrofit Kit: Pressure relief valve with grease return to the reservoir



	Part no.
A Parts of the retrofit kit	524-32231-1
B Existing parts	

Fig. 109 Retrofit Kit: Pressure relief valve with grease return to the reservoir

Subject to modification

Pressure Relief Valves, continuation

Valve inserts for new pressure relief valves



4195a99

Fig. 110 Valve inserts for new pressure relief valves

Design

Valve insert, SV 250 bar
Valve insert, SV 350 bar
Valve insert, SV 270 bar
Valve insert, SV 200 bar
Valve insert, SV 120 bar
Valve insert, SV 80 bar

Part no.

235-14343-7
235-14343-3
235-14343-2
235-14343-1
235-14343-5
235-14343-4

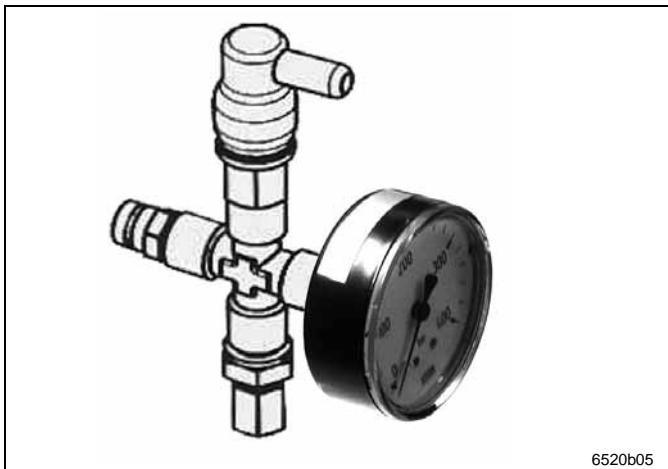


6001a02

NOTE

The valve inserts are provided with a pressure indication (e.g. 350) on the hexagon surface (top).

Pressure gauge



6520b05

Fig. 111 Pressure gauge with connecting fitting

Design

Pressure gauge 0 - 400 bar
with valve SVKSV-350-1/4-D6

Part no.

624-29426-1

Brackets



4165a98

Fig. 112 Bracket

For fixing

Pump 203 CS, universal and main metering
device
Bracket ¹⁾

Part no.

307-19544-1

¹⁾ Dimensions see page 106

Pressure Relief Valves, continuation



Fig. 113 Bracket

Brackets, continuation

For fixing	Part no.
Only for pump 203 and main metering device	307-19644-1 ¹⁾
¹⁾ Dimensions see page 106	

Electrical Accessories for Central Lubrication Pump Models 103 CS and 203 without Control

PSG control unit



Fig. 114 PSG control unit

Voltage	Time setting	Part no.
24 VDC	Pause time : 6 Std. Lubricating time : 2 Min.	236-13834-1
24 VDC	Pause time : 4 Std. Lubricating time : 4 Min.	664-36875-1

Illuminated pushbutton

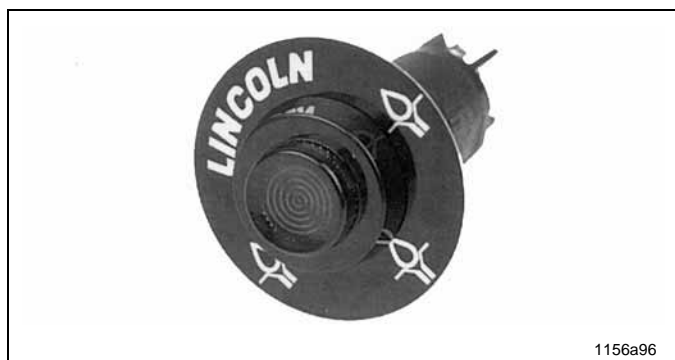


Fig. 115 Illuminated pushbutton

Voltage	Lamp	Part no.
12 V	green	664-36070-5
24 V	green	664-36070-6
12 V	red ¹⁾	664-34005-5
24 V	red ¹⁾	664-34005-6
¹⁾ only for fault indication of pumps 223/233		

Electrical Accessories, continuation for Central Lubrication Pump Models 103 CS and 203 without Control

Illuminated pushbutton, continuation



Fig. 116 Illuminated pushbutton

Voltage	Lamp	Part no.
24 V	green	236-10280-6

Fuse holder with fuse



Fig. 117 Fuse holder with fuse

Strength of current	Part no.
5 A	237-13321-8
8 A	237-13426-1
10 A	237-13426-7



6001a02

IMPORTANT

The fuse holder with fuse must always be connected upstream of each control unit to protect the control unit against short-circuits.

for Metering Device Model SSV

Piston detector (proximity switch, 2-wire)



Fig. 118 Piston detector (proximity switch, 2-wire)

Designation	Length	Thread	Part no.
Piston detector for monitoring of SSV metering devices with FLRY			
Cable without AMP plug	3 m	M11 x 1	519-34271-2
Cable without AMP plug (PU)	5 m	M11 x 1	519-34271-4
Cable with AMP plug	3 m	M11 x 1	519-34271-7
Cable with AMP plug	7 m	M11 x 1	519-34271-8

in high-grade steel (V4A) with

Cable without AMP plug	2 m	M11 x 1	519-34339-1
------------------------	-----	----------------	-------------



6001a02

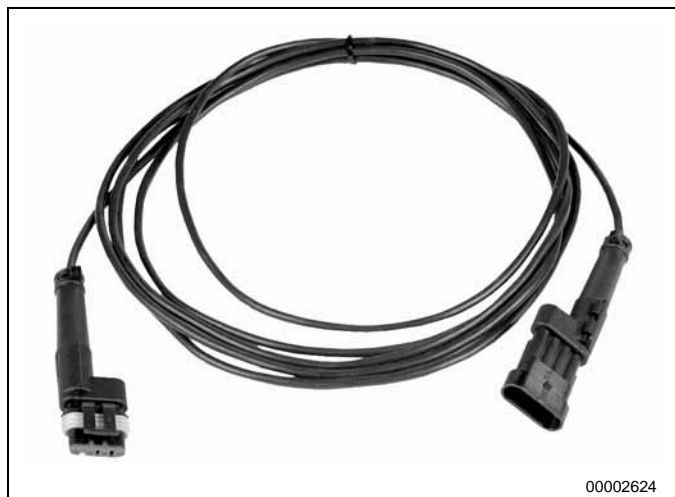
NOTE

The piston detector (proximity switch) is not part of the metering device.

Subject to modification

Electrical Accessories, continuation for Metering Device Model SSV

Extension cable for piston detector (only as spare part)



00002624

Fig. 119 Extension cable for piston detector

Design	Length	Part no.
Cable assembly with AMP plug and socket outlet	4 m	664-36862-9

Connecting cable for two piston detectors (only as spare part)



00002625

Fig. 120 Connecting cable for two piston detectors

Design	Length	Part no.
AMP cable assembly with two socket outlets	0.6 m	664-36889-6

Detector cable (only as spare part)



4164a98

Fig. 121 Detector cable

Design	Length	Part no.
AMP detector cable	10 m	664-36884-7



6001a02

NOTE

For longer distances.

Electrical Accessories, continuation for Metering Device Model SSV

Piston detector (proximity switch, 3-wire) for industrial applications, high-grade steel (1.4571)



Fig. 122 Piston detector (proximity switch, 3-wire) for industrial applications, high-grade steel (1.4571)

Designation	Length	Thread	Part no.
Piston detector ¹⁾ for monitoring of the SSV metering devices with integrated plug without cable		M11x1	519-34339-5
Accessories			
Angular socket		M12	237-13442-4
90° angular socket with cable 5 m	5 m	M12	237-13442-6
Straight socket with cable 10 m	10 m	M12	236-10022-7



6001a02

¹⁾ **NOTE**

A use in combination with pump 203 and microprocessor control is not possible.

Piston detector (proximity switch, 2-wire) for pumps 203, 223/233



Fig. 123 Piston detector (proximity switch, 2-wire) for pumps 203, 223/233

Designation	Length	Thread	Part no.
Piston detector for monitoring of the SSV metering devices cable with bayonet plug	3 m	M 11 x 1	519-34339-3
cable with bayonet plug	7 m	M 11 x 1	519-34339-4

Connecting cable for two piston detectors



Fig. 124 Connecting cable for 2 piston detectors with bayonet plug

Design	Length	Part no.
bayonet plug, assy. for two piston detectors	0.6 m	664-34195-6

Subject to modification

Electrical Accessories, continuation for Metering Device Model SSV

Detector cable



4164b05

Fig. 125 Connecting cable for piston detector with bayonet plug

Design	Length	Part no.
Bayonet detector cable	10 m	664-34167-9

Limit switch (KS), as spare part only



10002722

Fig. 126 Limit switch (KS), as spare part only

Design	Part no.
Limit switch with accessories	519-36713-7
Limit switch V3S + VL1	236-13281-2

Proximity switch (KN), as spare part only



10002723

Fig. 127 Proximity switch (KN), as spare part only

Design	Switching mode	Part no.
B I 2-G12K-AP6X	PNP	234-13134-3
B I 2-G12K-AN6X	NPN	234-13134-5
Adapter with stop ring		519-30911-1

Accessories for SSV Metering Devices

Mounting angle



Fig. 128 Mounting angle

For fixing of	Part no.
SSV metering device	432-23982-1 ¹⁾
¹⁾ Dimensions see page 107	

Bracket

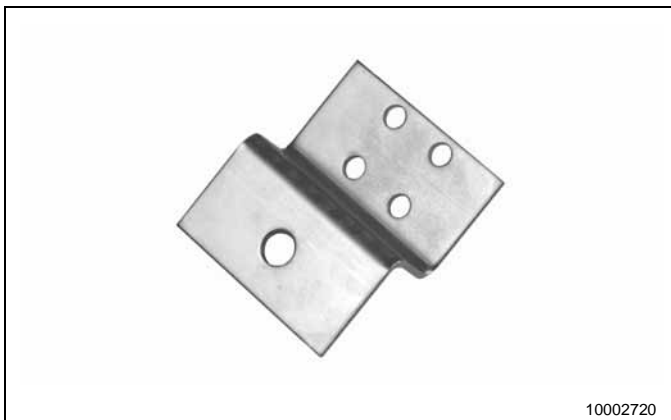


Fig. 129 Bracket

For fixing of	Part no.
SSV metering device	307-19543-1 ¹⁾
¹⁾ Dimensions see page 107	

Accessories for Manually Operated Systems

Lubrication fitting blocks, screw type



Fig. 130 Lubrication fitting block, lubrication fitting without check valve

No. of lubrication fittings	Thread	Part no.
1 without check valve	R 1/8 female	532-32248-1

If the metering device is installed at a place of difficult access for the lubrication, the lubrication points can be made accessible by means of lubrication fitting blocks or tube filters.



Fig. 131 Lubrication fitting block, lubrication fitting with check valve

No. of lubrication fittings	Thread	Part no.
1 with check valve	R 1/8 female	504-37184-2

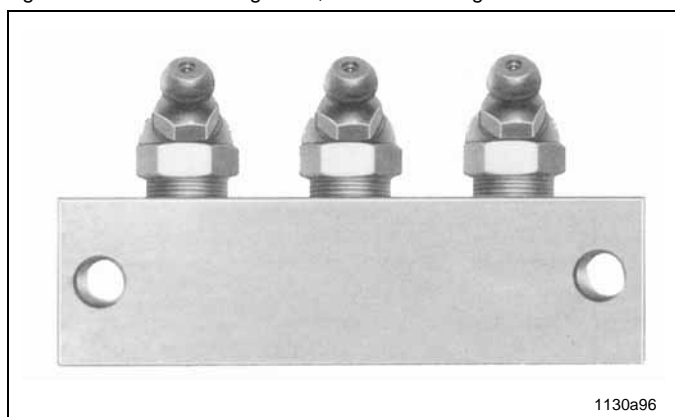


Fig. 132 Lubrication fitting block for 1-3 connections without check valve

No. of lubrication fittings	Thread	Part no.
3 without check valve	R 1/8 female	504-37211-1
2 without check valve	R 1/8 female	504-37210-1

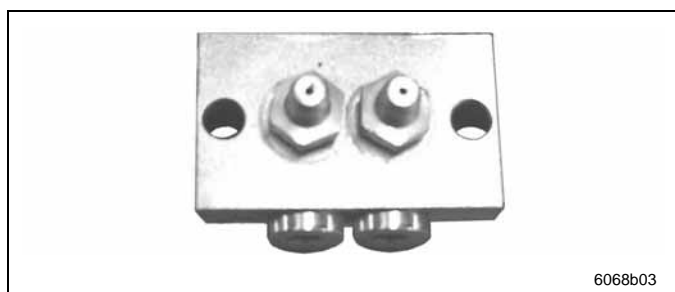


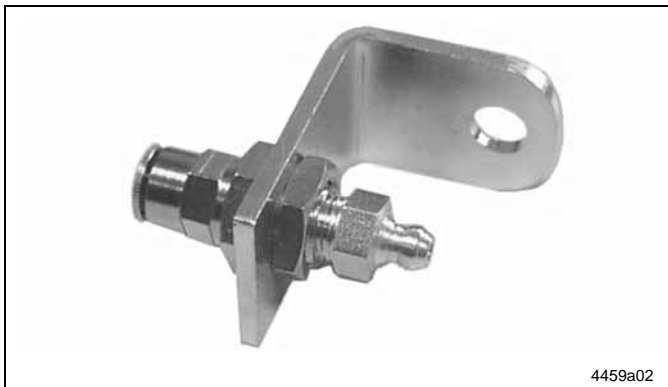
Fig. 133 Lubrication fitting block for 1-2 connections, variable connecting possibilities

No. of lubrication fittings	Thread	Part no.
2	R 1/8 female	532-32454-1

Consisting of:
 Lubrication fitting block 432-70024-1
 Hydraulic lubrication fitting + RV ST AR 1/8 251-14109-6
 Closure plug 5.8 G 1/8 A C 203-12074-1

Accessories for Manually Operated Systems, continuation

Lubrication fitting block, push-in type



4459a02

Fig. 134 Lubrication fitting block, push-in type

Part no.

532-32131-1

Lubrication fitting with check valve
Connection for high-pressure plastic hose with hose stud and threaded sleeve.

Tube filter



00002942

Fig. 135 Tube filter

Designation

Thread

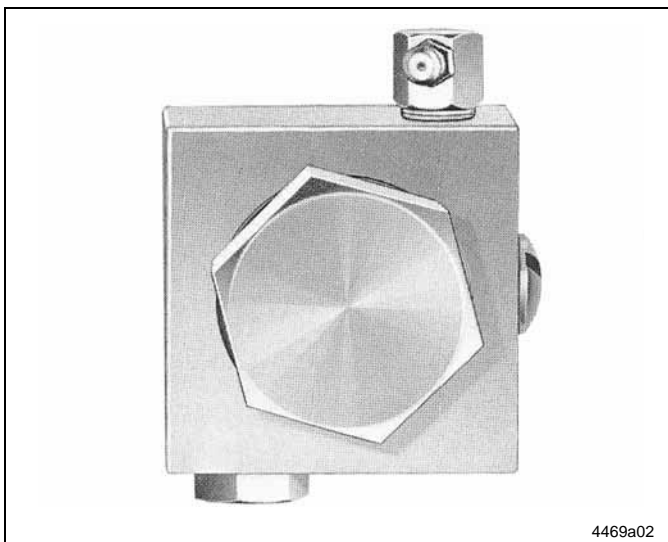
Part no.

SF1-G1/4 + lubrication fitting G 1/4 female 628-36062-3

The tube filter is an additional protection in application areas where there is a strong contamination (e.g. erection sites, etc.)

Lubricant filter SF1-G1/4	628-26452-2
Coarse strainer, transmissibility 410/1000	428-21544-1
Lubrication fitting	532-31537-3

Filter block



4469a02

Fig. 136 Filter block

Designation

Outlet connection

Part no.

Lubricant filter unit with hydraulic lubrication fitting G 1/4 A 528-36045-6

Lubricant filter unit with elbow fitting and hydraulic lubrication fitting G 1/4 A 528-36876-2

The filter block is an additional protection in application areas where there is a strong contamination (e.g. erection sites, etc.).

Subject to modification

Tools



Fig. 137 Special screwdriver for closure plugs on SSV metering devices
Part no.: 404-22614-1



Fig. 138 Assembly stud for hose coupling
Part no.: 432-23077-1



Fig. 139 Special cutter for plastic tube
Part no.: 226-12508-5

Spare blade 226-13095-7

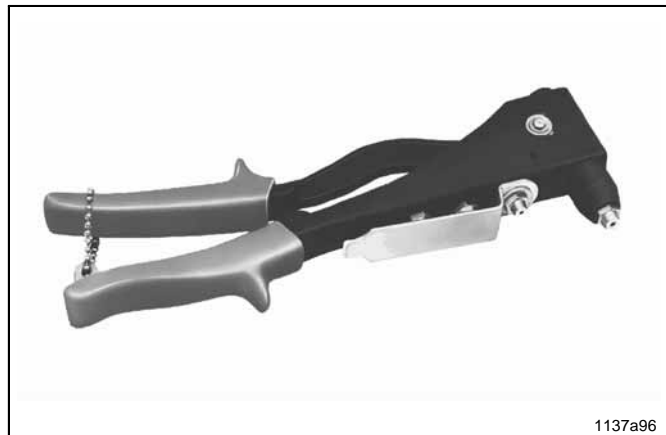


Fig. 140 Blind rivet hand tool
Blind rivet tool 226-12508-6¹⁾
Compression sleeve Ø 9 mm 226-12490-1

Hose fitting tool for compression sleeve 226-12490-2
Hose stud Ø 6 x 34 mm 432-22539-1
Hose stud Ø 6 x 46 mm 432-22488-2

¹⁾ for blind rivet Ø 4 x 12 mm, see page 66



Fig. 141 Set for checking pressure and function: i.a. other hand-lever press 1142, pressure gage D63 0-600 bar and fitting
Part no.: 604-36879-1

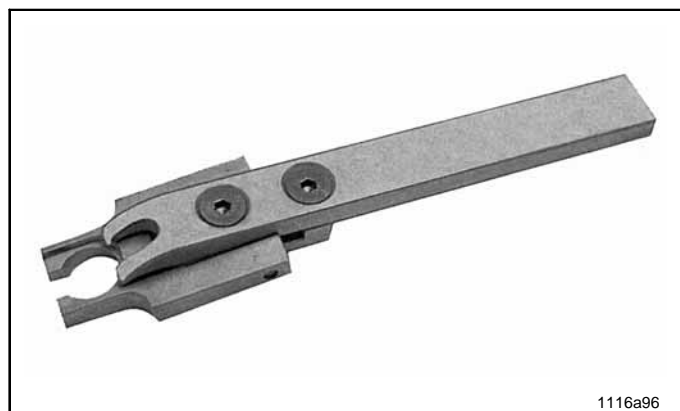


Fig. 142 Special tool for loosening the push-in type fittings
Part no.: 532-31847-1

Tools, continuation



Fig. 143 Assembly tool for adapter ring, 4- and 8 L reservoirs
Part no.: 544-32017-1



Fig. 144 Assembly tool for 2 L reservoir
Part no.: 544-32019-1



Fig. 145 Assembly tool for 2 L flat-type reservoir, 4- and 8 L reservoir
Part no.: 544-32018-1

Filling Pumps for Cartridge Filling (400 cm³ Cartridge)

Kit: Filling pump with straight connection fitting, 2L reservoir (standard)

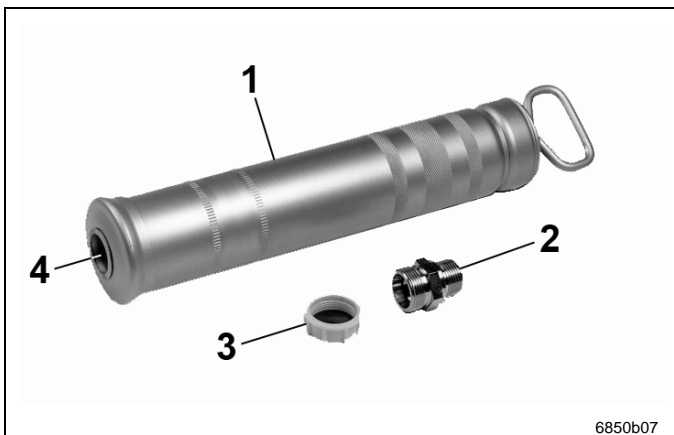


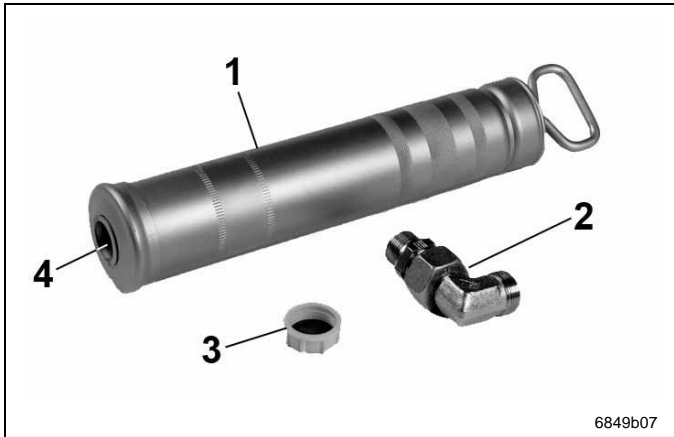
Fig. 146 Kit: Filling pump with straight connecting fitting

Pos.	Description	Part no.
1	Pump incl. connecting parts, assy.	638-37549-1
2	Filling connection, straight	538-36763-1
3	Protective cap, fitting M26 x 1,5	233-13090-9
4	Protective plug, pump	233-13124-8

Subject to modification

Filling Pumps, continuation for Cartridge Filling (400 cm³ Cartridge)

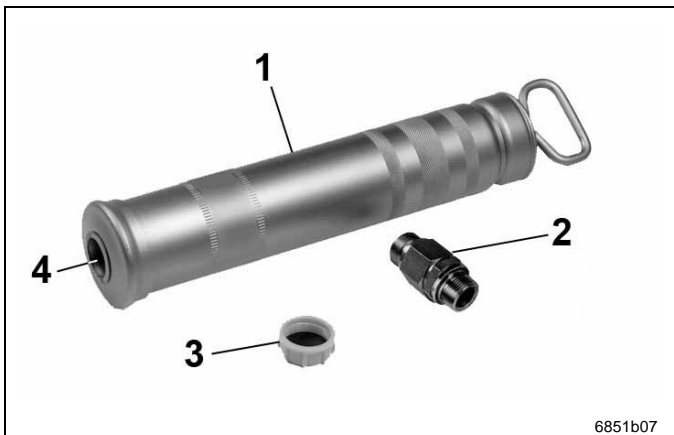
Kit: Filling pump with 90° connection fitting, 2 L reservoir



Pos.	Description	Part no.
1	Pump incl. connecting parts, assy.	638-37548-1
2	Filling connection, 90°	538-36763-2
3	Protective cap, fitting	M26 x 1,5 233-13090-9
4	Protective plug, pump	233-13124-8

Fig. 147 Kit: Filling pump with 90° connection fitting, 2L reservoir

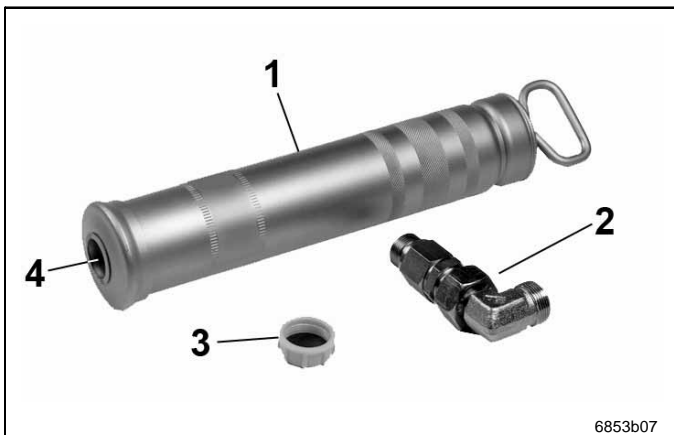
Kit: Filling pump with straight connection fitting, 2 L flat-type reservoir



Pos.	Description	Part no.
1	Pump incl. connecting parts, assy.	638-37549-2
2	Filling connection, straight	538-36763-5
3	Protective cap, fitting	M26 x 1,5 233-13090-9
4	Protective plug, pump	233-13124-8

Fig. 148 Kit: Filling pump with straight connection fitting, 2L flat-type reservoir

Kit: Filling pump with 90° connection fitting (2 L flat-type, 4 L, 8 L reservoir)



Pos.	Description	Part no.
1	Pump incl. connecting parts, assy.	638-37561-1
2	Filling connection, 90°	538-36763-4
3	Protective cap, fitting	M26 x 1,5 233-13090-9
4	Protective plug, pump	233-13124-8

Fig. 149 Kit: Filling pump with 90° connection fitting (2 L flat-type, 4 L, 8 L reservoir)

Filling Pumps, Accessories for Cartridge Filling (400 cm³ Cartridge)

Filling pump without connecting parts



00002972

Fig. 150 Filling pump without connecting parts

Part no.

244-14161-1



6838b07

Fig. 151 Filling pump without connecting parts

Part no.

244-14161-2

Lever gun



1118a96

Fig. 152 Lever gun

Part no.

001142

Holding clamp



6852b07

Fig. 153 Holding clamp

Part no.

00G160

Subject to modification

Pump, Hand-Operated, for Greases up to NLGI Grade 2



Fig. 154 Pump, hand-operated, for greases up to NLGI grade 2 (50 kg)

Drum weight	Stationary	Mobile	Part no.
15 kg	X		244-14125-1
18 kg	X		244-14125-7
25 kg	X		244-14125-5
50 kg	X		244-14125-3
15 kg		X	244-14126-1
25 kg		X	244-14126-2
50 kg		X	244-14126-3
Reservoir Ø for 25 kg			311 - 330 mm
Reservoir Ø for 50 kg			365 - 385 mm
Output volume			approx. 45 cm ³ /stroke
Supply pressure			approx. 30 bar



6001a02

NOTE

The filling is effected via a hydraulic coupling. For the coupling counterpart to use, see under Quick filling connections for pump 203.

Accessories for the filling of the lubrication fittings

1 x mouth piece	251-10124-4
1 x reducing nipple R1/4 x R1/8 Z	222-12258-2
1 x filler fitting	251-14073-1
1 x sealing ring	226-13780-2
or reducing nipple	226-14105-9

Drilling Templates

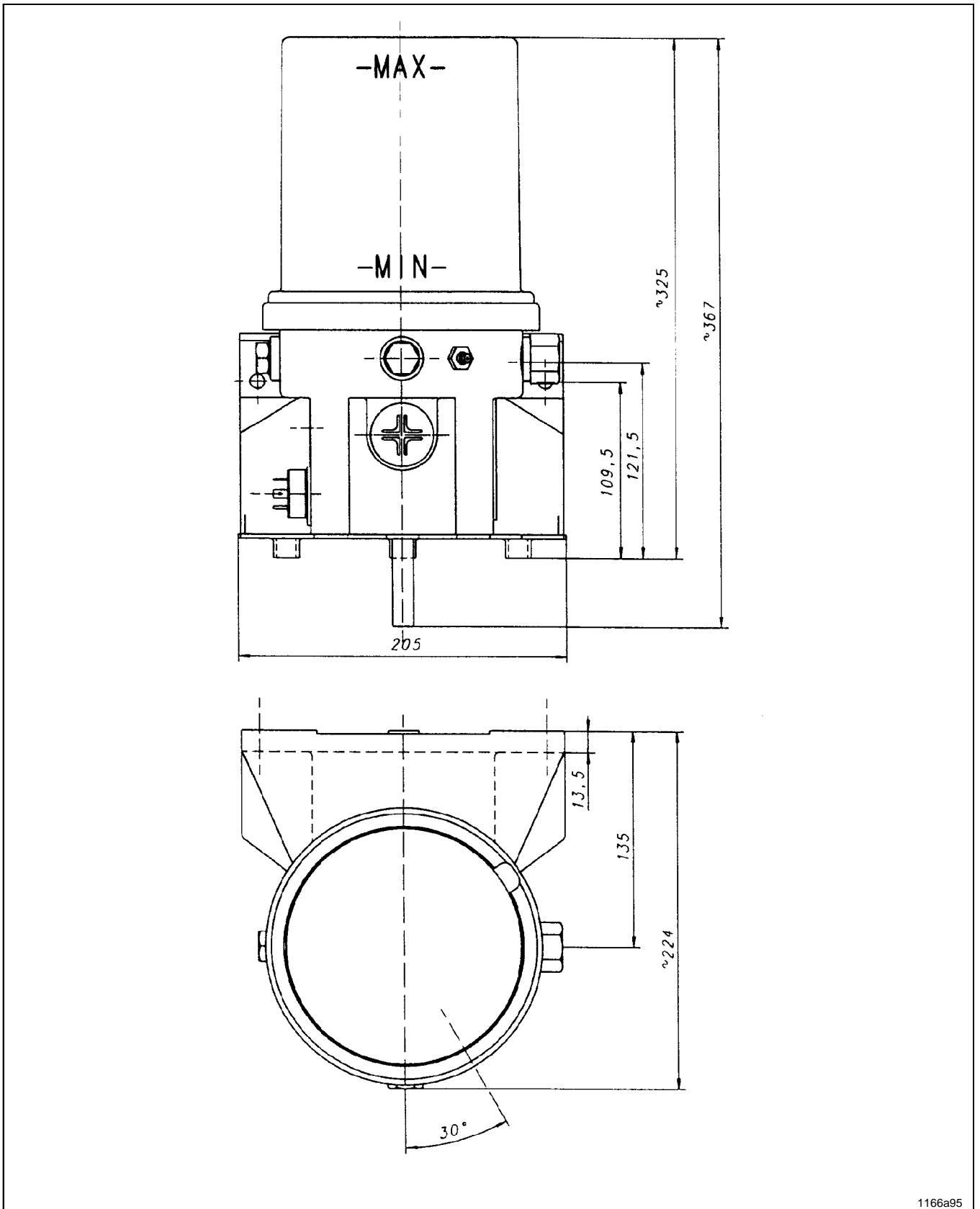
Designation	Part no.
Central lubrication pump 203	810-55150-1
SSV Metering devices	810-55005-3

Operating Instructions

Designation	Part no.
Central lubrication pump 203 DC	810-55168-1
Control p.c.b. H 236-13857-1	810-55170-1
Control p.c.b. V10 – V13 236-13891-1	810-55171-1
Control p.c.b. M 00 - M 23 236-13870-2	810-55172-1
SSV Metering device	810-55174-1
SSV D Metering device	810-55484-1

Dimensions

Pump 203, 2 l reservoir (standard)



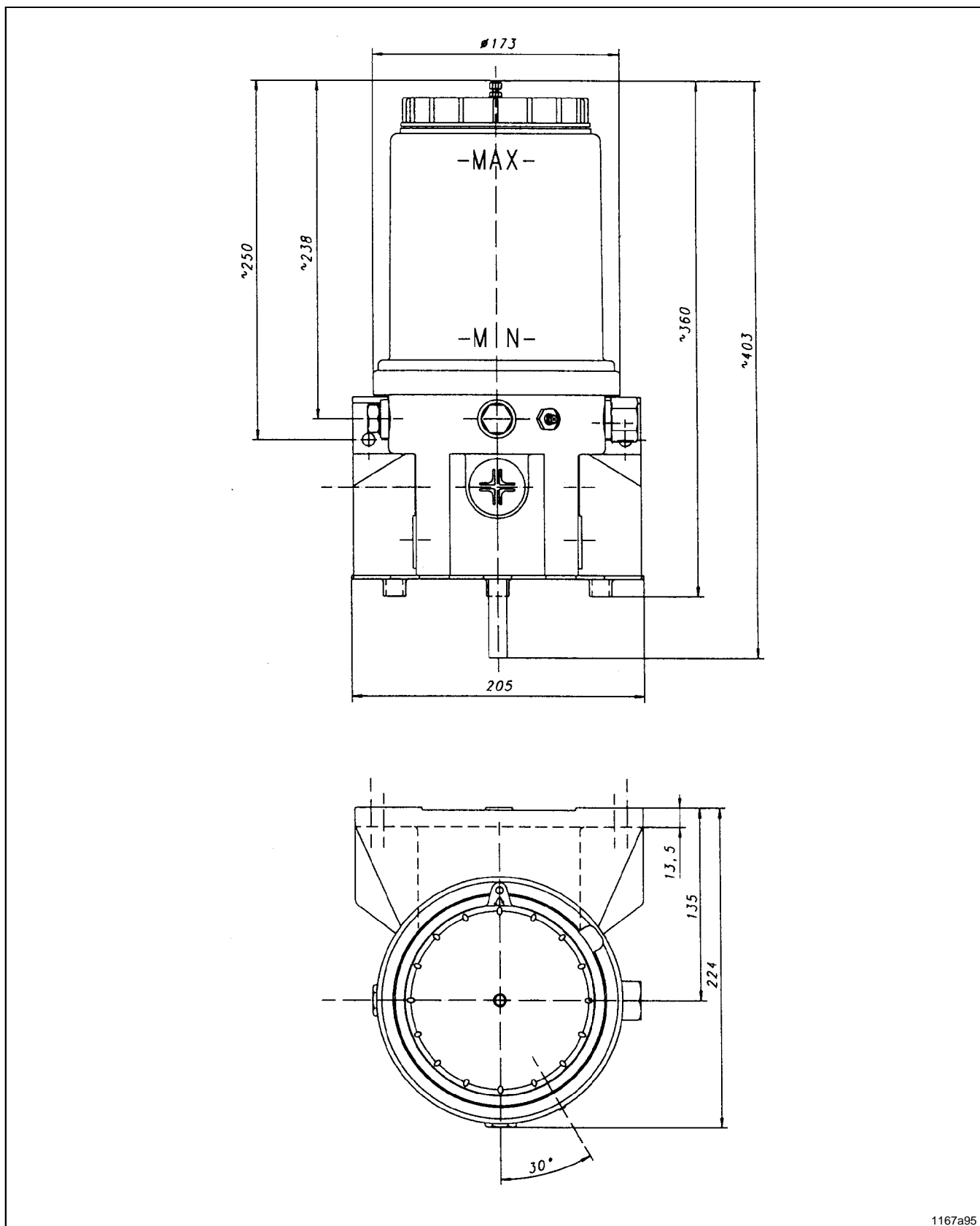
Subject to modification

Fig. 155 Pump 203, 2 l reservoir (standard)

1166a95

Dimensions, continuation

Pump 203, 2 l reservoir (filling from the top)



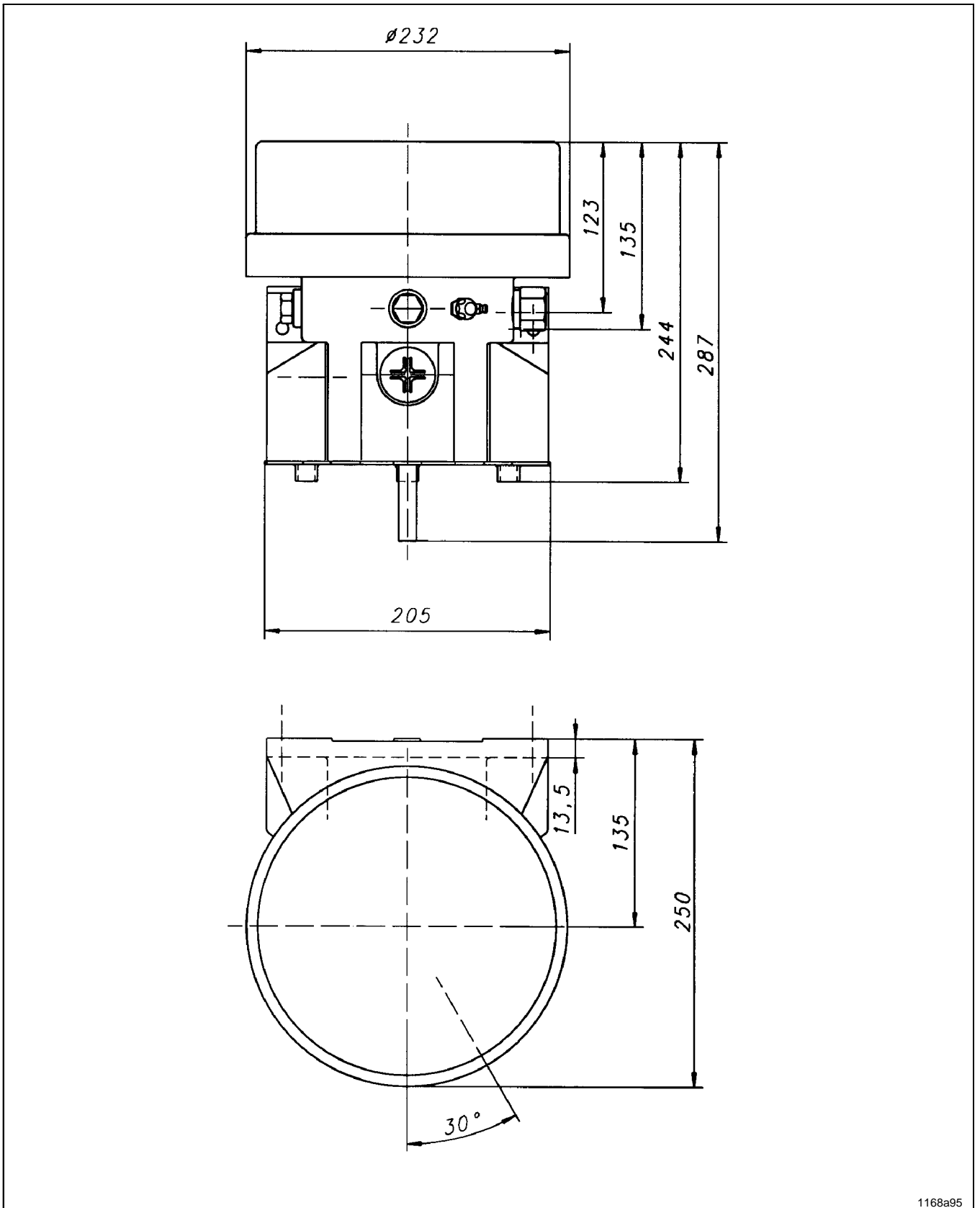
1167a95

Fig. 156 Pump 203, 2 l reservoir (filling from the top)

Subject to modification

Dimensions, continuation

Pump 203, 2 l flat-type reservoir



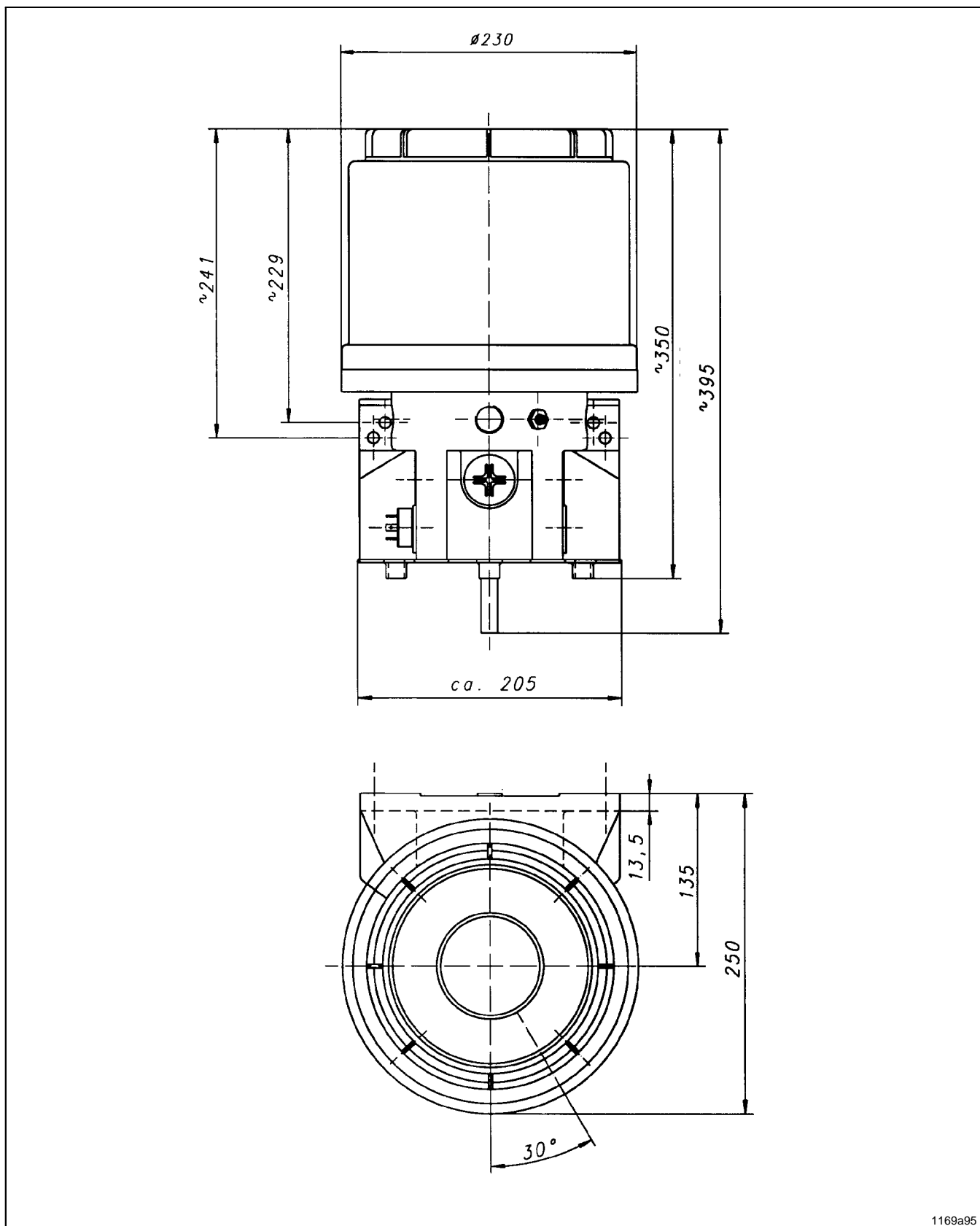
Subject to modification

Fig. 157 Pump 203, 2 l flat-type reservoir

1168a95

Dimensions, continuation

Pump 203, 4 l reservoir



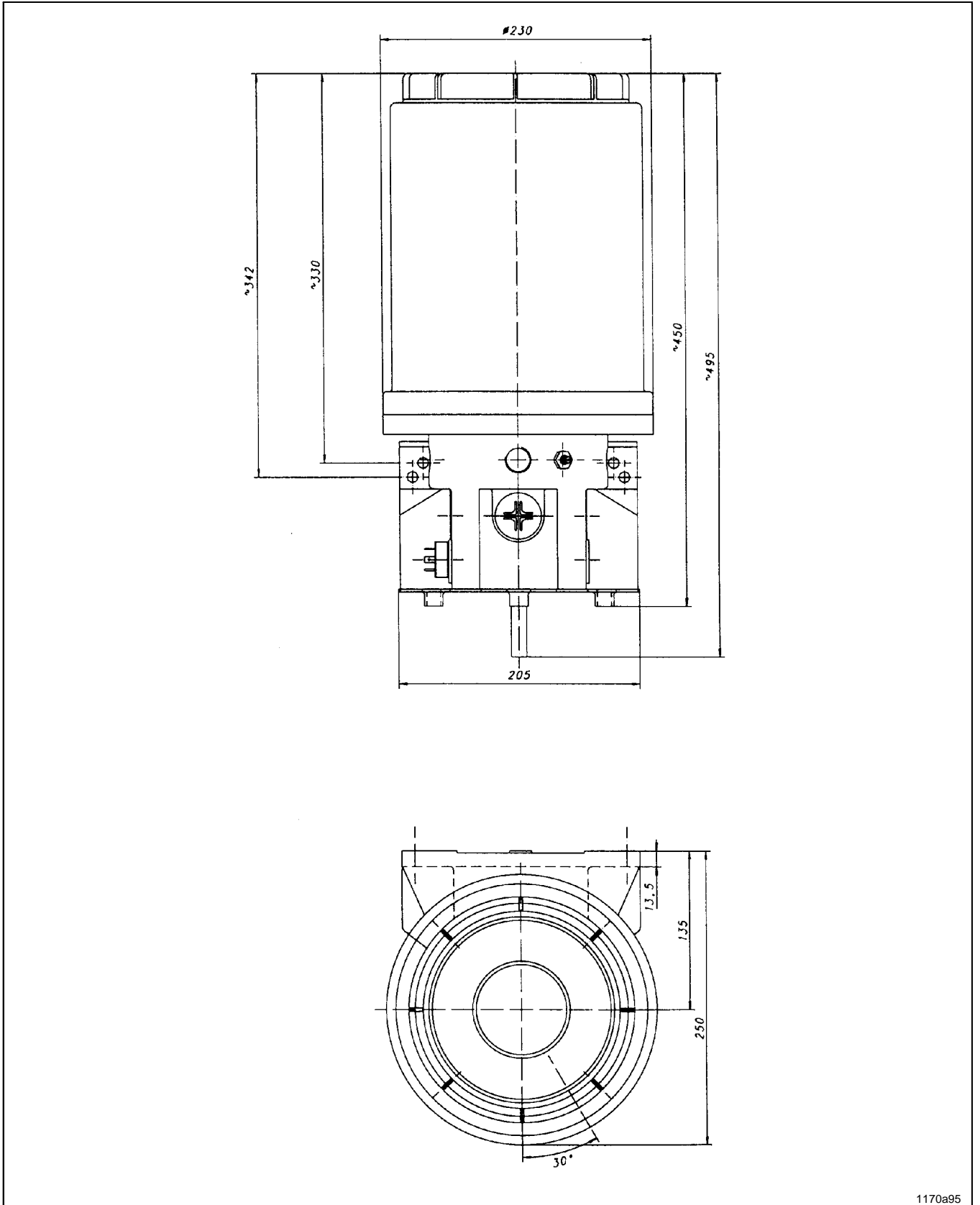
1169a95

Fig. 158 Pump 203, 4 l reservoir

Subject to modification

Dimensions, continuation

Pump 203, 8 l reservoir



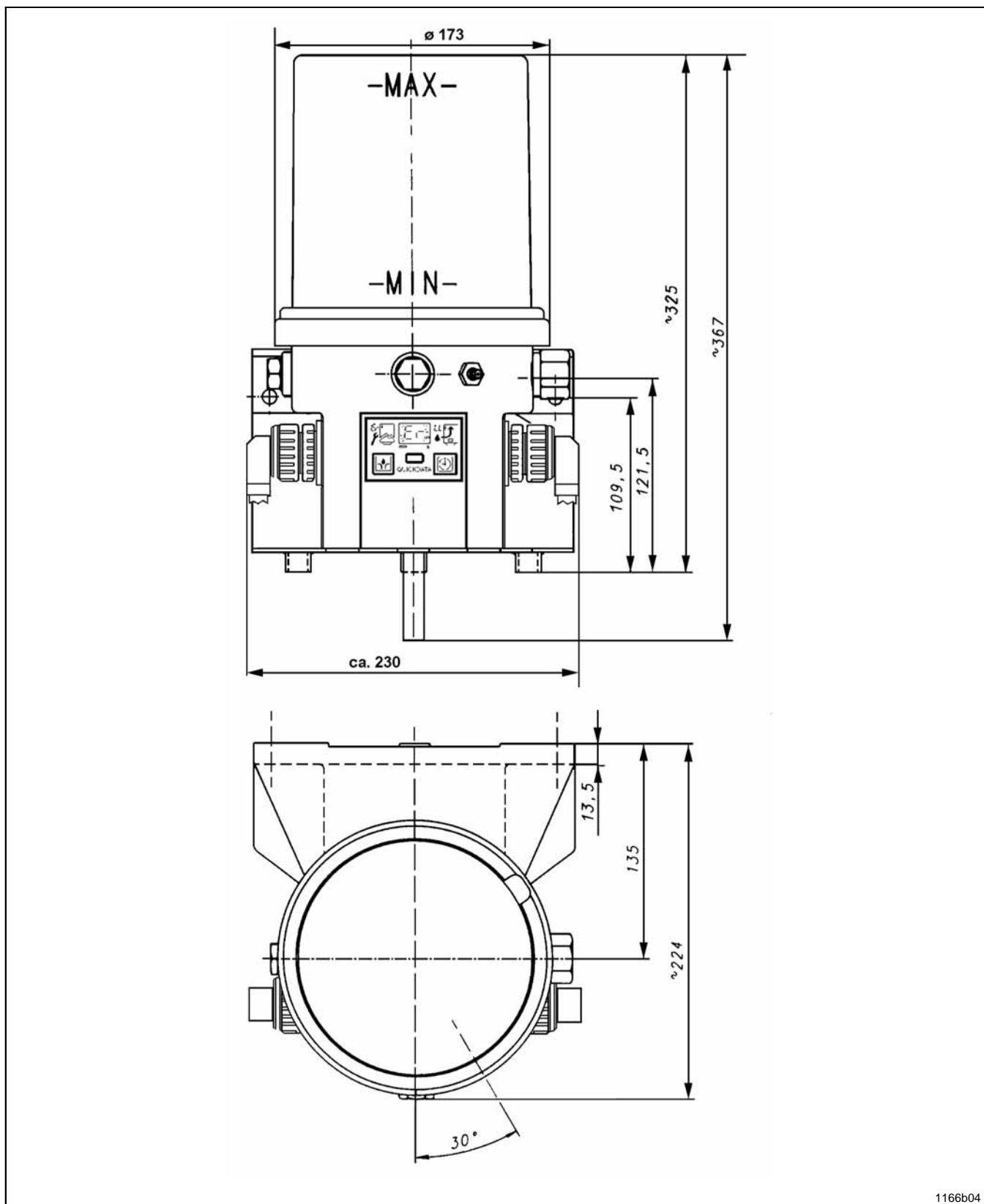
Subject to modification

Fig. 159 Pump 203, 8 l reservoir

1170a95

Dimensions, continuation

Pump 223/233, 2 l reservoir (standard)

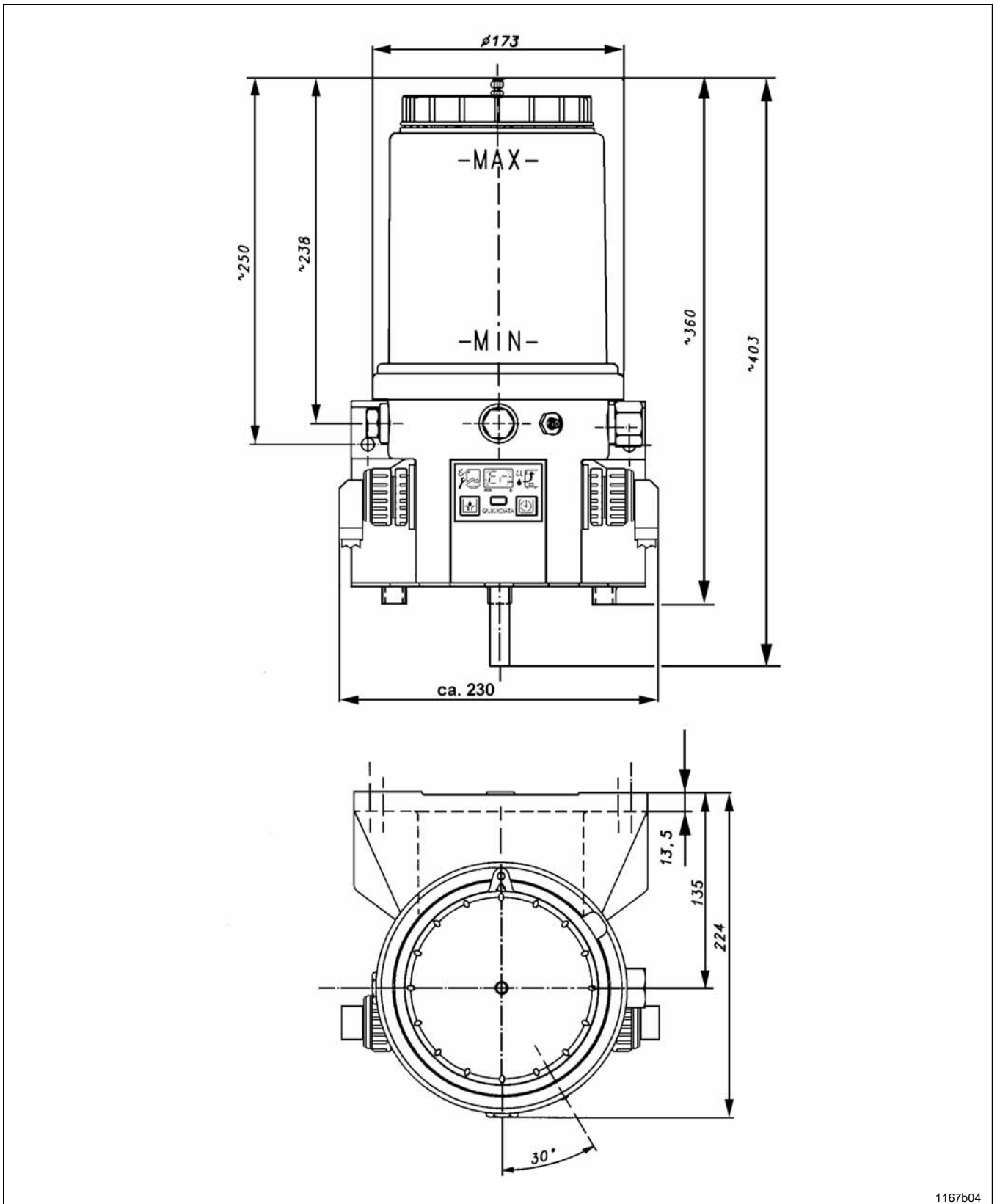


1166b04

Fig. 160 Pump 223/233, 2 l reservoir (standard)

Dimensions, continuation

Pump 223/233, 2 l reservoir (filling from the top)



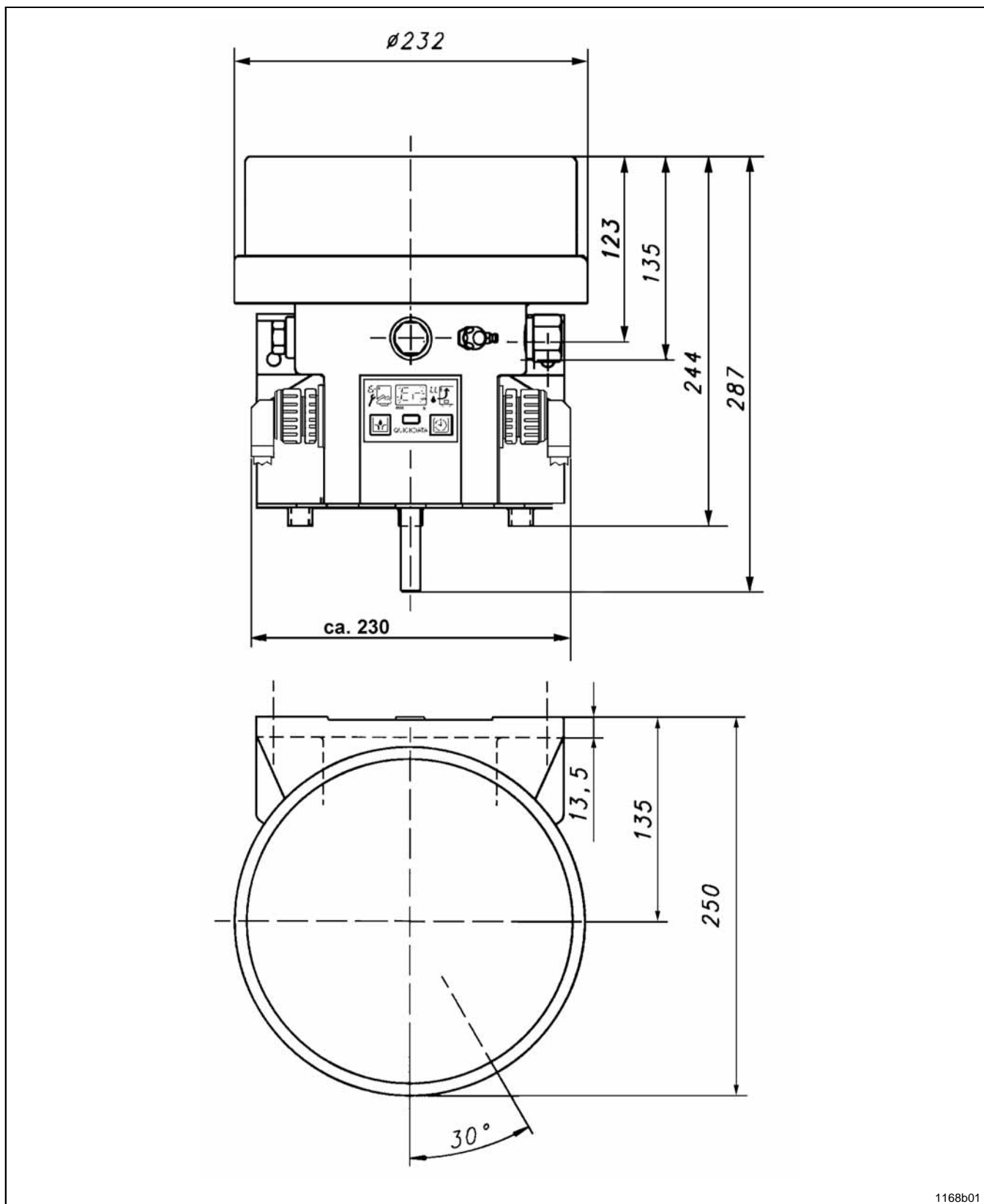
Subject to modification

Fig. 161 Pump 223/233, 2 l reservoir (filling from the top)

1167b04

Dimensions, continuation

Pump 223/233, 2 l flat-type reservoir

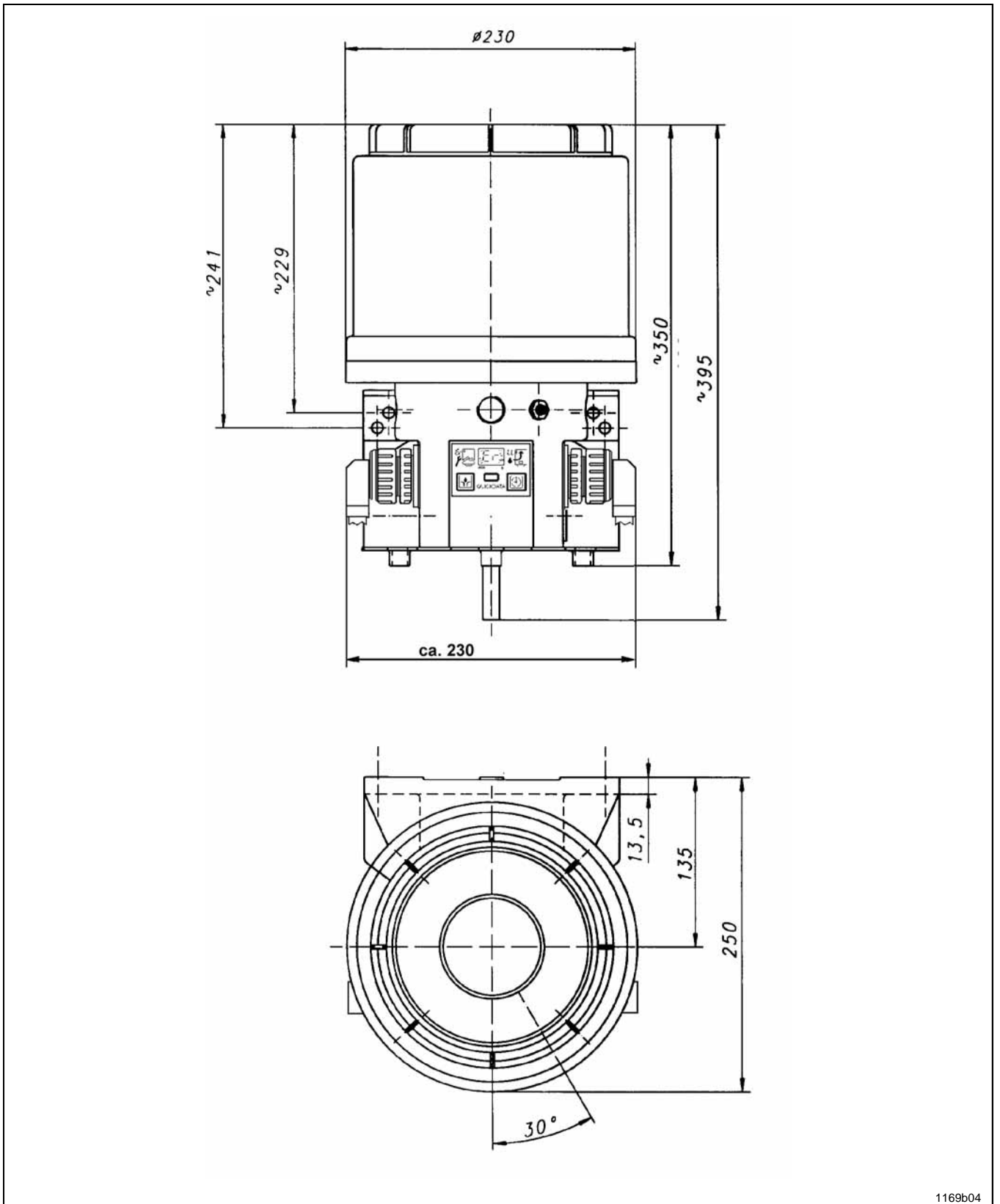


1168b01

Fig. 162 Pump 223/233, 2 l flat-type reservoir

Dimensions, continuation

Pump 223/233, 4 l reservoir



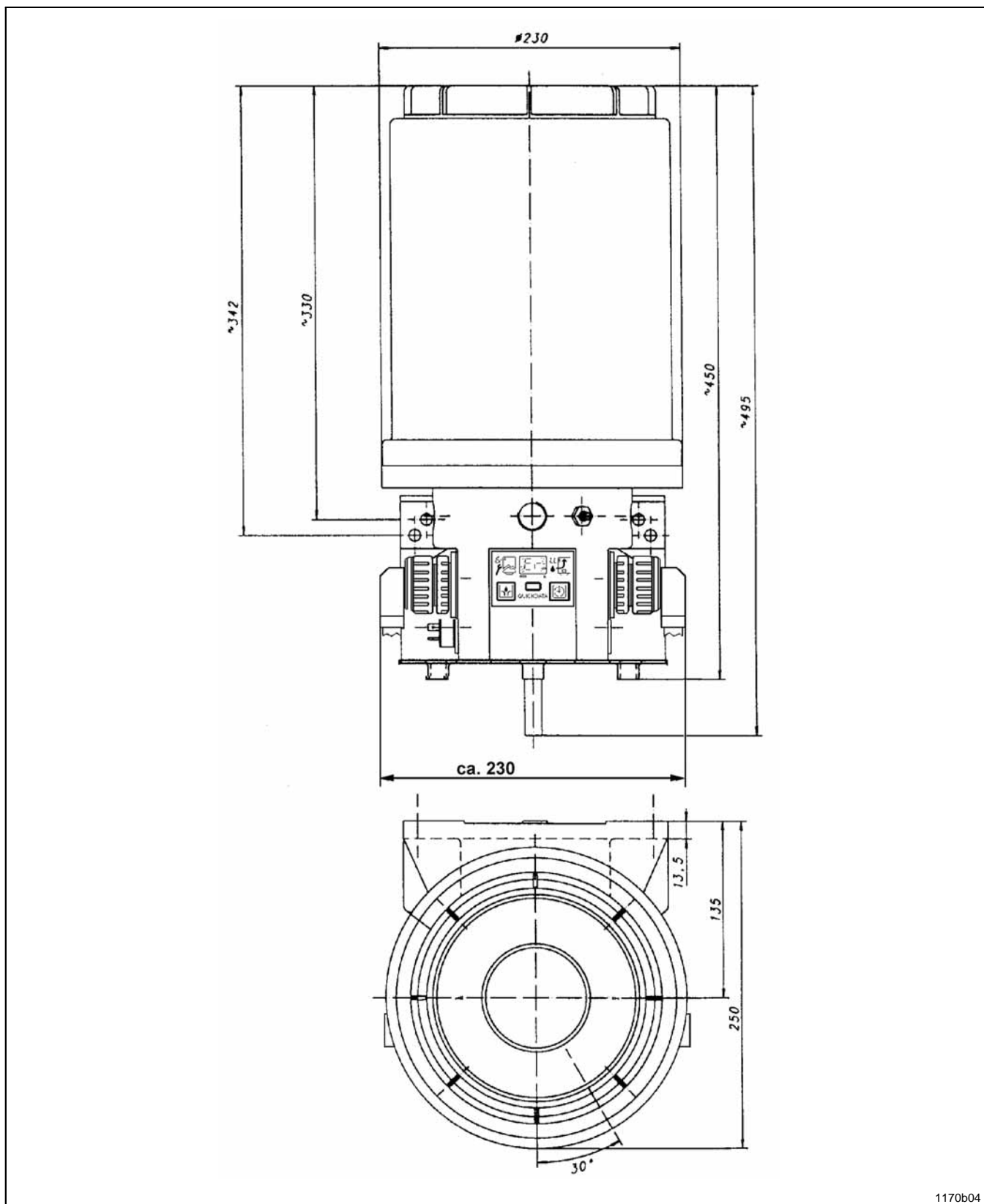
Subject to modification

Fig. 163 Pump 223/233, 4 l reservoir

1169b04

Dimensions, continuation

Pump 223/233, 8 l reservoir



1170b04

Fig. 164 Pump 223/233, 8 l reservoir

Subject to modification

Dimensions, continuation

Fixing boreholes of the 2 L, 4 L and 8 L pump 203

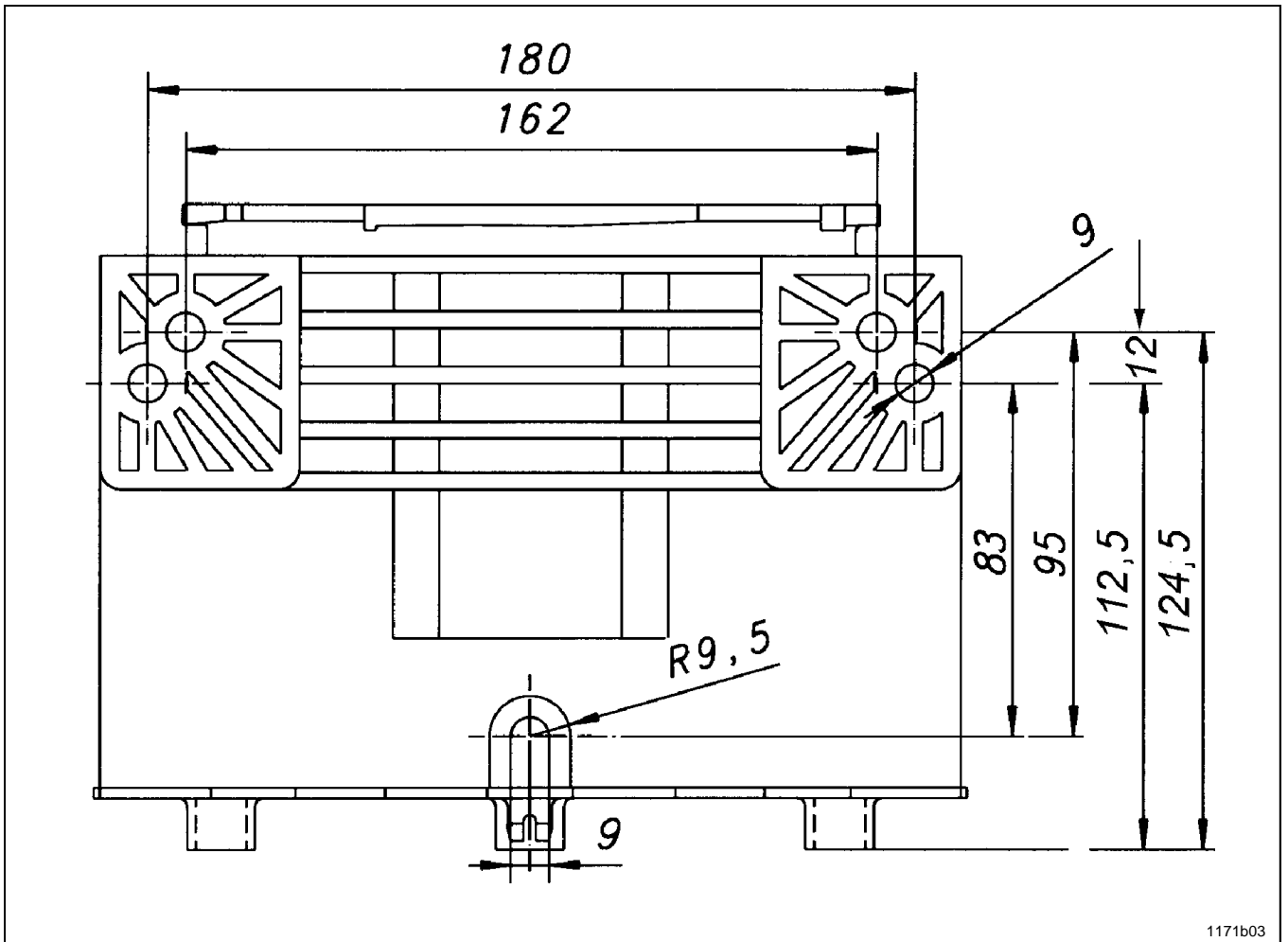


Fig. 165 Fixing boreholes of the 2 L, 4 L and 8 L pump 203



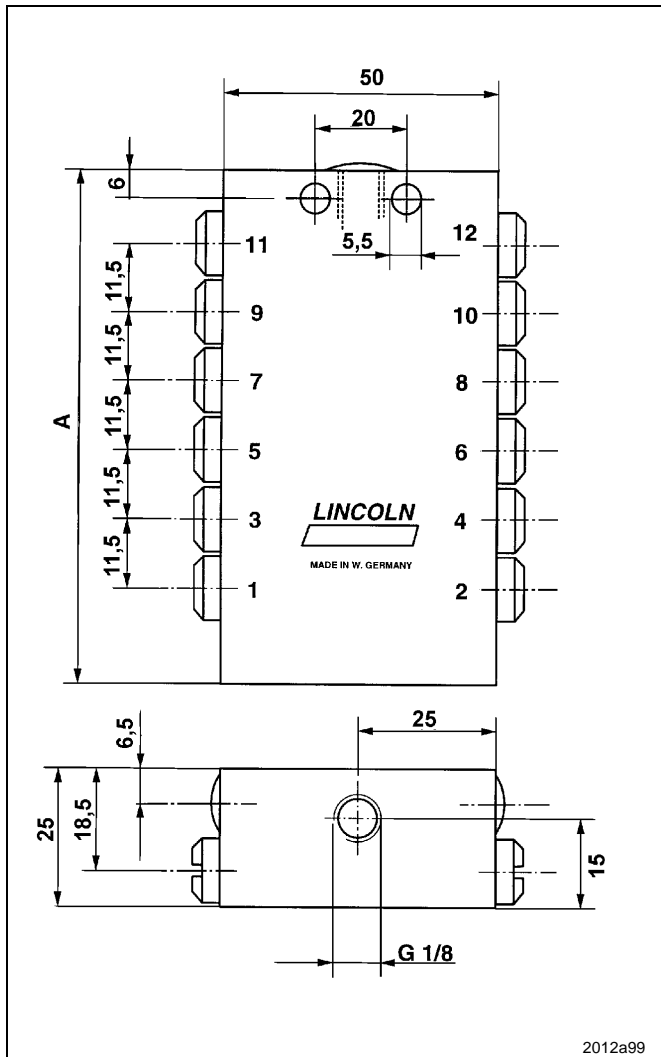
6001a02

NOTE

Tighten pump models with 2L flat-type, 4L, 8L and 15L reservoirs with a third fastening screw (on point R 9,5).

Dimensions, continuation

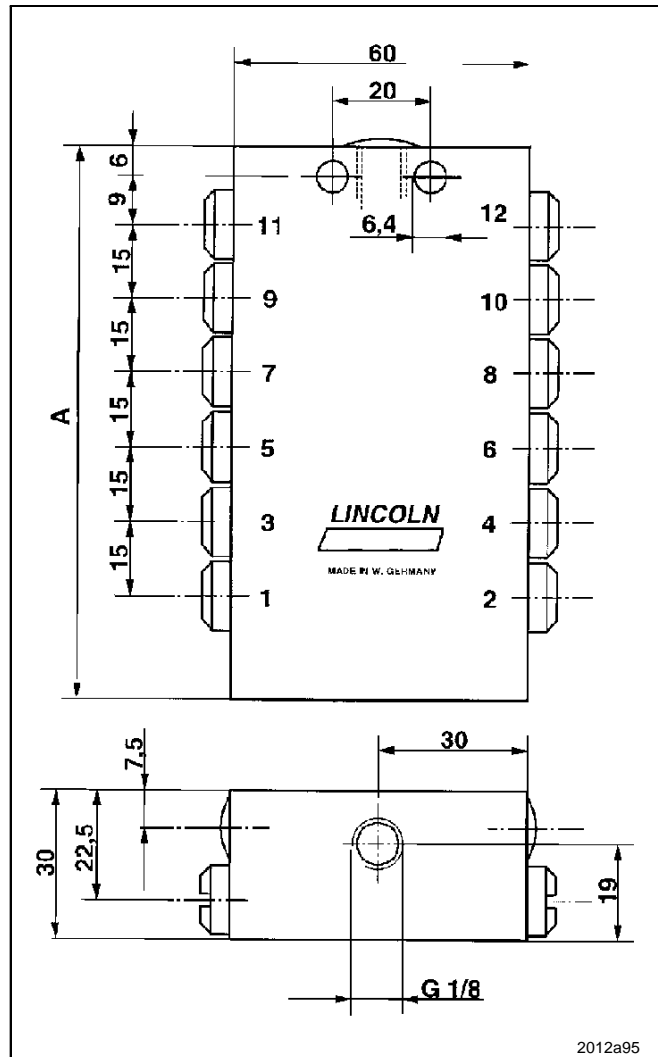
SSV M Metering Devices



2012a99

Fig. 166 SSV M metering devices

Block Metering Devices SSV 6 to SSV 22



2012a95

Fig. 167 Block metering devices SSV 6 to SSV 22

Model SSV M	Dimensions A in mm
-------------	--------------------

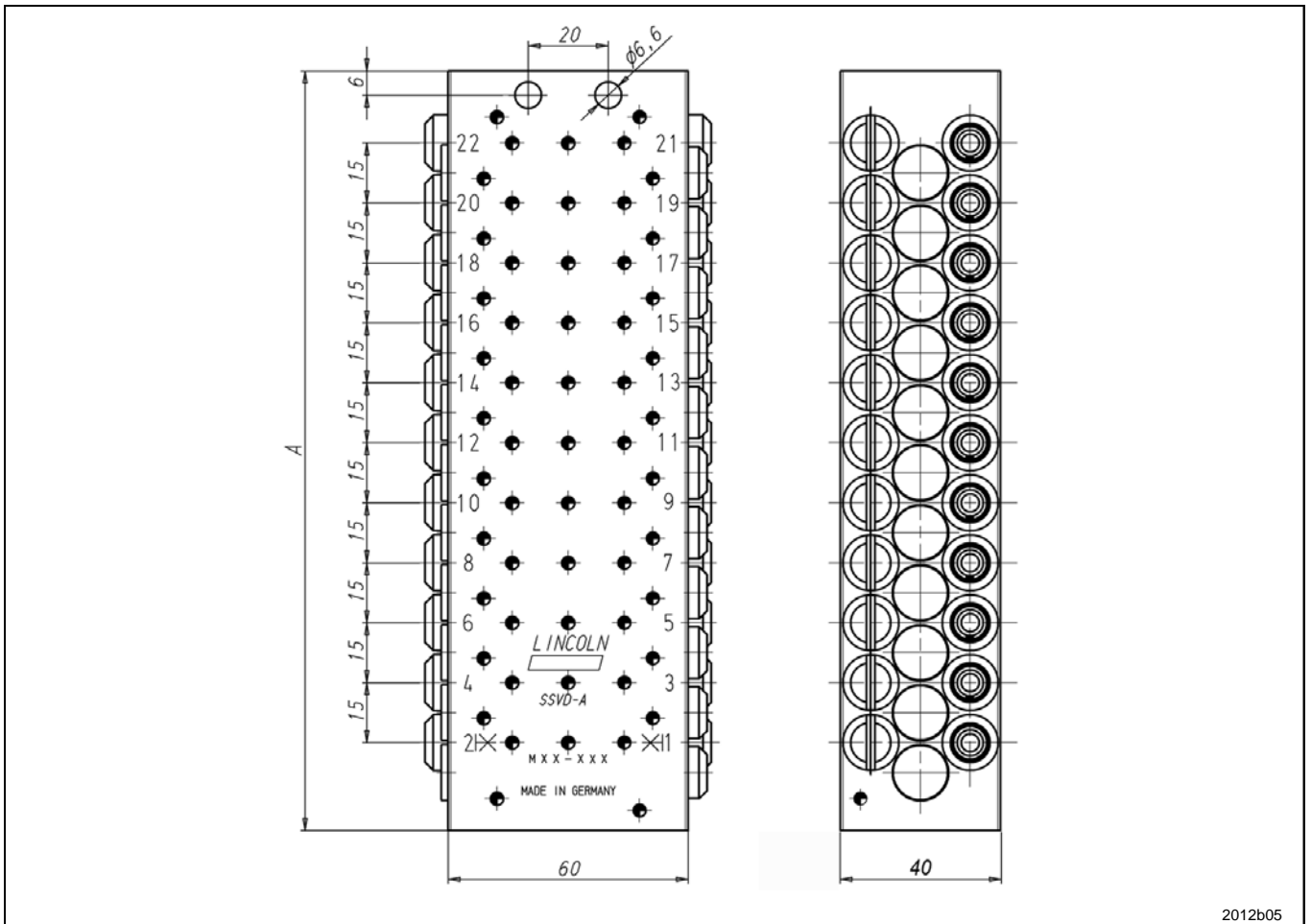
6	48,5
8	60
10	71,5
12	83

Model SSV	Dimensions A in mm
-----------	--------------------

6	60
8	75
10	90
12	105
14	120
16	135
18	150
20	165
22	180

Dimensions, continuation

Block Metering Devices SSV D 6 to SSV D 22



2012b05

Fig. 168 Block metering devices SSV D 6 to SSV D 22

Model SSV D	Dimensions A in mm
6	70
8	85
10	100
12	115
14	130
16	145
18	160
20	175
22	190

Fittings

Male connector

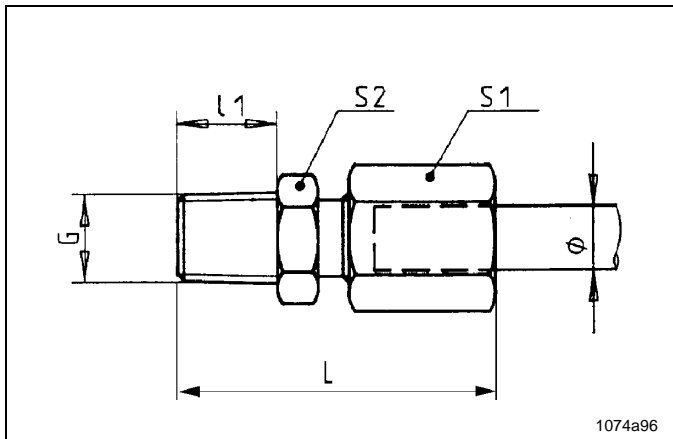


Fig. 169 Male connector

Ø	L	L1	S1	S2	Thread	Part no.
4	26	8	10	9	M 6 x 1 con. ¹⁾	223-12533-5
4	25	8	10	10	M 8 x 1 con.	223-12271-8
4	25	8	12	11	M10 x 1 con.	223-13069-1
4	26	8	12	11	R 1/8 con.	223-12270-8
6	26	8	12	11	M 6 x 1 con. ¹⁾	223-12533-9
6	28	8	12	11	M 8 x 1 con.	223-13023-1
6	28	8	12	11	M10 x 1 con.	223-12271-7
6	26	8	12	11	R 1/8 con.	223-12270-7
8	23	8	14	14	M 10 x 1 con. ¹⁾	223-13021-1
8	25	12	17	17	M12 x 1.5 con.	223-12361-6
8	28	8	14	12	R 1/8 con.	223-12270-9
8	25	12	19	17	R 1/4 con.	223-13621-6

¹⁾ con. = conical thread

Male elbow

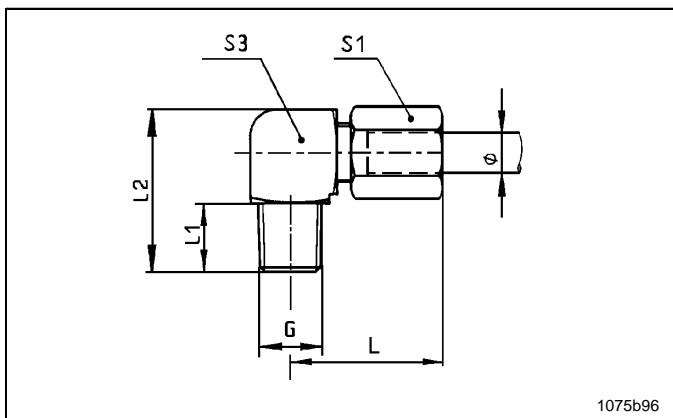


Fig. 170 Male elbow

Ø	L	L1	L2	S1	S3	Thread	Part no.
4	21	8	17	10	9	M 6 x 1 con. ¹⁾	223-12533-6
4	21	8	17	10	9	M 8 x 1 con.	223-13021-5
4	21	8	17	10	9	M10 x 1 con.	223-13069-2
4	21		17	10	9	R 1/8 con.	223-13021-4
6	21	8	17	12	11	M 6 x 1 con. ¹⁾	223-13023-2
6	21	8	17	12	11	M 8 x 1 con.	223-13023-3
6	21	8	17	12	11	M10 x 1 con.	223-13021-3
6	21	8	17	12	11	R 1/8 con.	223-12485-9
8	23	8	20	14	12	M10 x 1 con. ¹⁾	223-12362-4
8	29	12	26	17	14	M12 x 1.5 con.	223-12362-8
8	23	8	20	14	12	R 1/8 con.	223-13021-6

¹⁾ con. = conical thread

Banjo connector

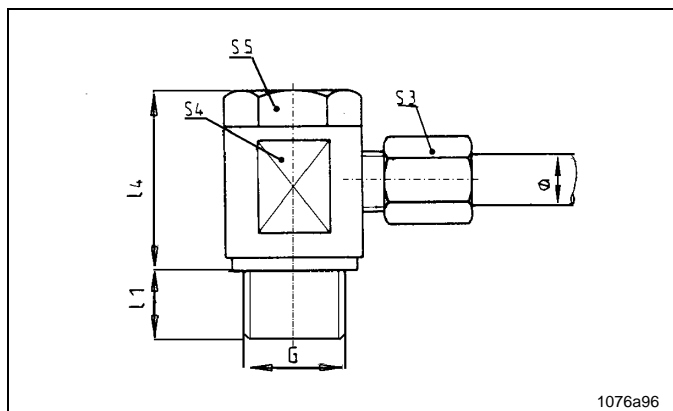


Fig. 171 Banjo connector

Ø	L1	L4	S3	S4	S5	Thread	Part no.
4	6	20	12	14	14	G 1/8 A	223-13629-1
4	6	20	12	14	14	M10 x 1	223-12480-8
6	6	20	12	14	14	G 1/8 A	223-12479-9
6	6	20	12	14	14	M10 x 1	223-12480-7

Fittings, continuation

Extensions

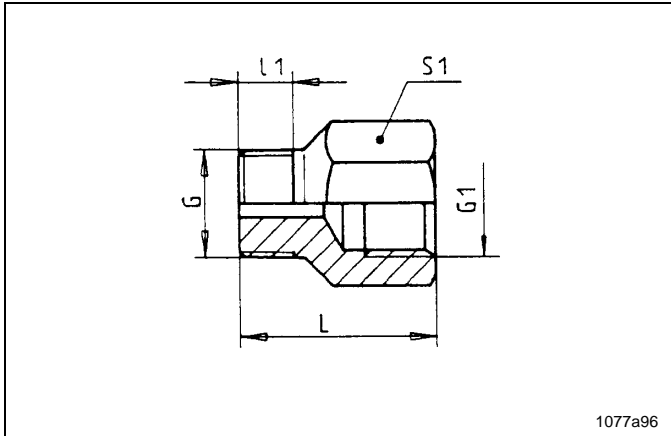


Fig. 172 Extension

L	L1	S1	Thread	Thread 1	Part no.
16	6	10	M 8 x 1 con. ¹⁾	M 8 x 1	304-19437-1
18	6	13	R 1/8"	M10 x 1	304-19230-1
20	8	14	M12 x 1 con.	M10 x 1	712-12724-7
17	6	13	M 8 x 1 con.	G 1/8	304-19167-1
20	6	10	M 6 x 1 con.	M 8 x 1	304-19787-1
18	4,5	13	M10 x 1 con.	M10 x 1	304-19509-1
16	6	10	M8 x 1.25 con.	M8 x 1	304-19548-1

¹⁾ con. = conical thread

Union

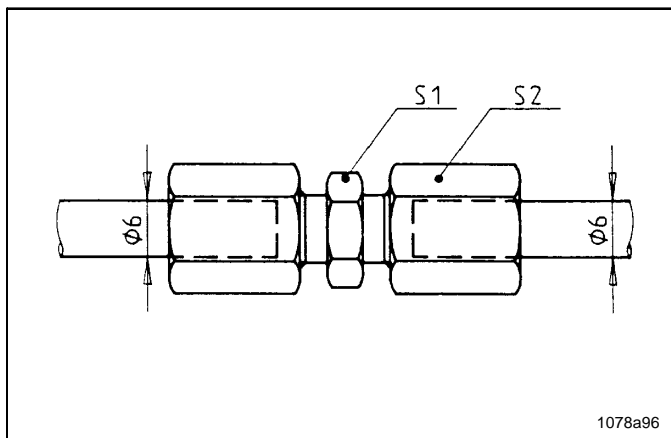


Fig. 173 Union

S1	S2	Part no.
11	12	223-12482-9

Union tee

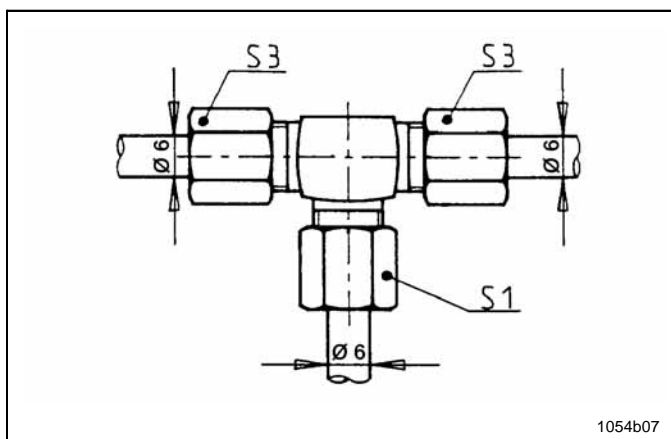
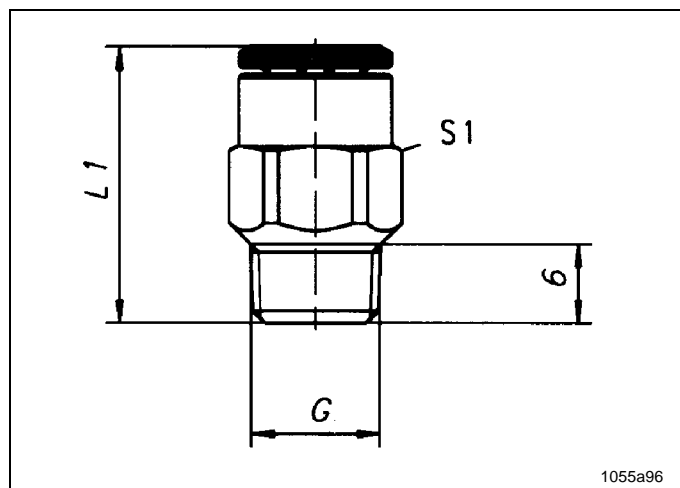


Fig. 174 Union tee

S1	S2	S3	Part no.
12	11	12	223-12484-9

Fittings, continuation

Male connector, push-in type

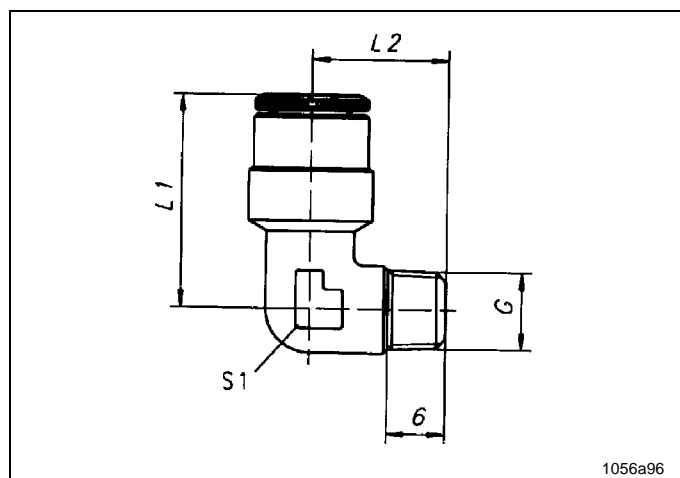


Ø	L1	S1	Thread	Part no.
4	21	10	M 6 x 1 con. ¹⁾	226-13752-3
4	18	10	M 8 x 1 con.	226-13752-1
4	18	12	M 10 x 1 con.	226-13752-2
4	19	12	R 1/8 con.	226-13752-4
6	23.5	12	M 6 x 1 con.	226-13752-8
6	23	12	M 8 x 1 con.	226-13752-7
6	21	12	M 10 x 1 con.	226-13752-6
6	21.5	12	R 1/8 con.	226-13752-9
6	21.5	12	R 1/8 con.	226-14111-1

¹⁾ con. = conical thread

Fig. 175 Male connector, push-in type

Male elbow, push-in type

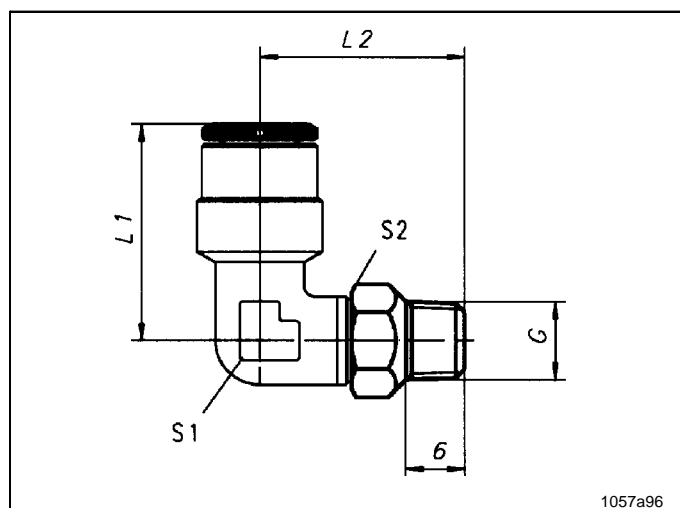


Ø	L1	L2	S1	Thread	Part no.
4	20	13,5	10	M 6 x 1 con. ¹⁾	226-13753-5
4	20	15	10	M 8 x 1 con.	226-13753-1
4	20	15	10	M 10 x 1 con.	226-13753-2
4	20	15	10	R 1/8 con.	226-13753-3
6	22	15	10	M 6 x 1 con.	226-13753-7
6	22	14	10	M 8 x 1 con.	226-13753-8
6	22	14	10	M 10 x 1 con.	226-13753-6
6	22	16.5	10	R 1/8 con.	226-13753-4
6	23	16	10	R 1/8 con.	226-13753-9

¹⁾ con. = conical thread

Fig. 176 Male elbow, push-in type

Male elbow, push-in type, rotatable



Ø	L1	S1	S2	Thread	Part no.
4	20	21	10	M10 x 1	226-13756-2
4	20	21	10	M 8 x 1	226-13756-1
4	20	21	10	M 6 x 1	226-13756-6
4	20	21	12	R 1/8	226-13756-3
6	22	21	10	M 8 x 1	226-13756-4
6	22	21	12	M 10 x 1	226-13756-5
6	22	21	10	M 6 x 1	226-13756-7
6	22	21	10	R 1/8	226-13756-8

Fig. 177 Male elbow, push-in type, rotatable

Fittings, continuation

Valve body, push-in type

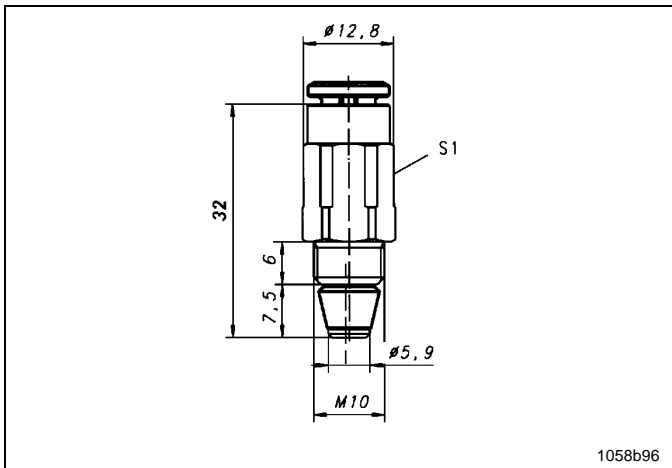


Fig. 178 Valve body, push-in type

Thread	Part no.
Standard design M 10 x 1	226-14091-2
Reinforced collar M 10 x 1	226-14091-4

Valve body 90° with clamping ring, push-in type

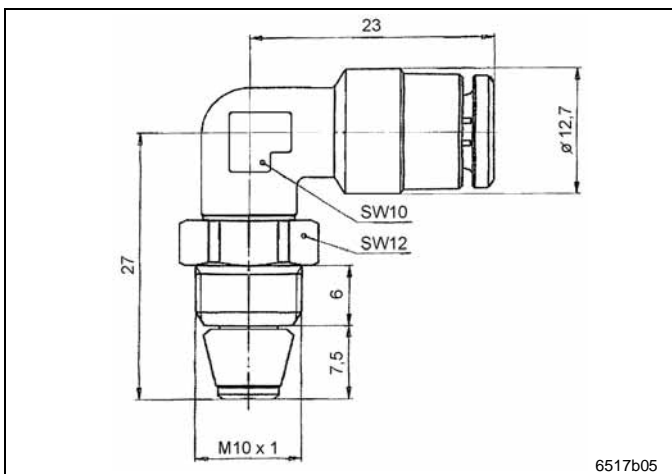


Fig. 179 Reinforced version for the connection of hose studs

Designation	Tube- \varnothing	Part no.
Reinforced collar WRWV 6521-6-M 10 x 1	6 mm	226-14091-8
Standard design WRV 6511-6-M 10 x 1	6 mm	226-14091-9

T-piece, push-in type

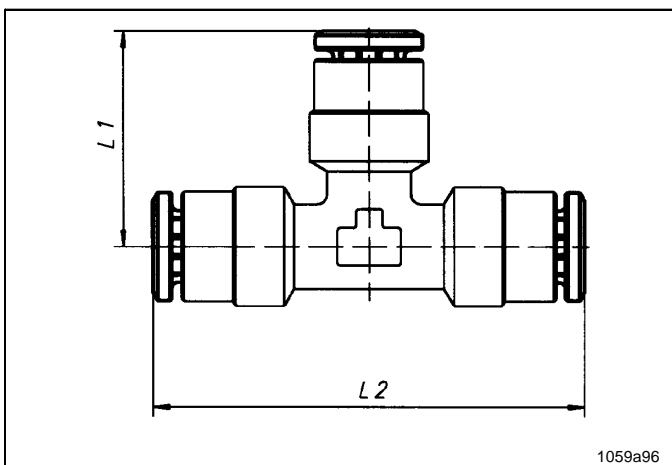


Fig. 180 T-piece, push-in type

L1	L2	Part no.
23	46	226-14097-2
23	46	226-14097-4 ¹⁾

¹⁾ reinforced

Subject to modification

Fittings, continuation

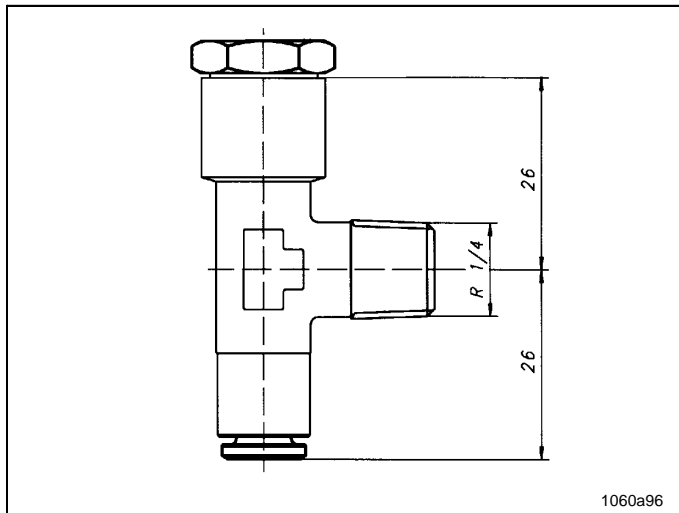


Fig. 181 Pressure relief valve, push-in type

Pressure relief valve, push-in type

Designation	Tube-Ø	Part no.
Pressure relief valve	6 mm	624-28860-1

Brackets

Pump 203

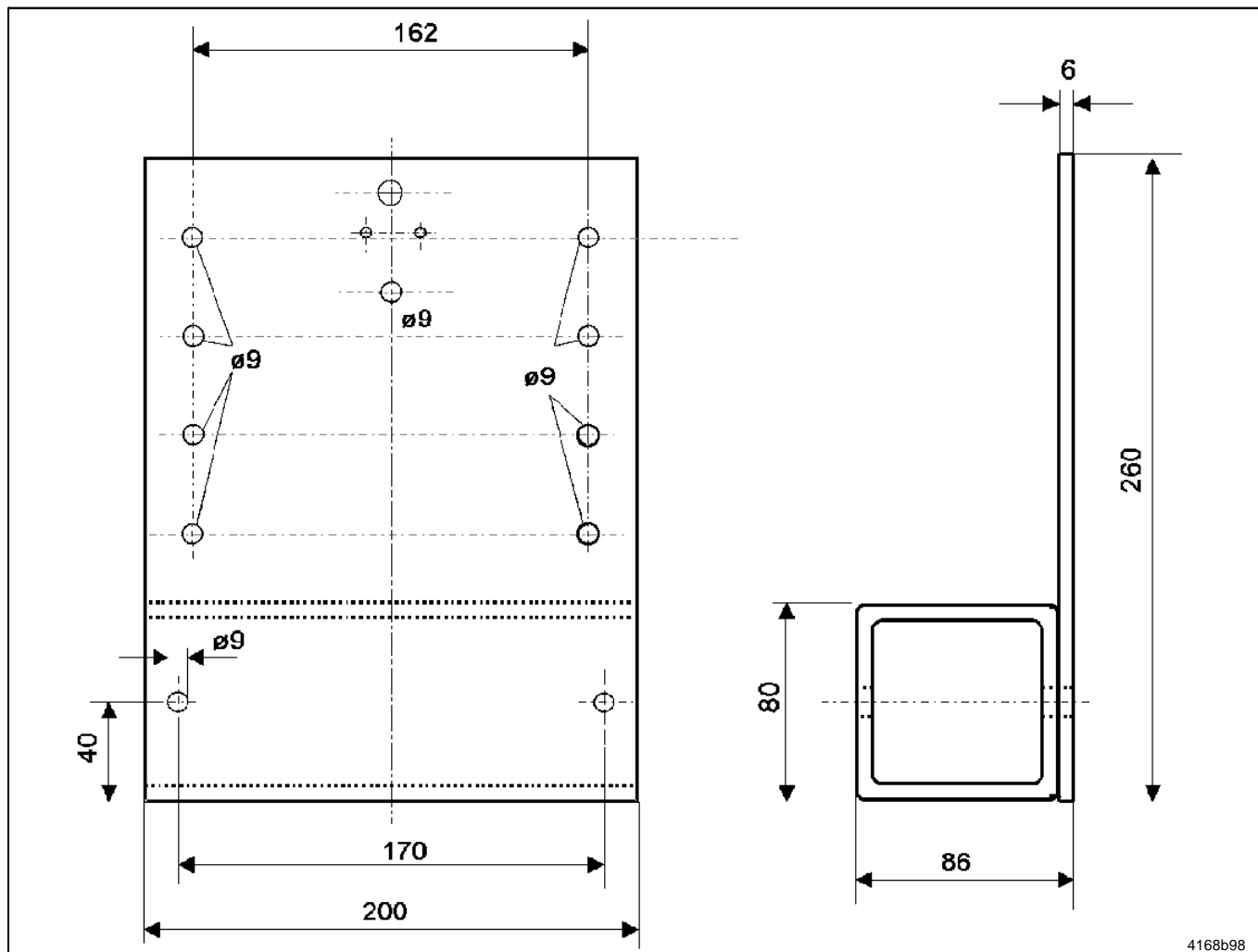


Fig. 182 Bracket for Pump 203, Part no. 307-19644-1

Subject to modification

Brackets and Mounting Elbows

Metering Devices

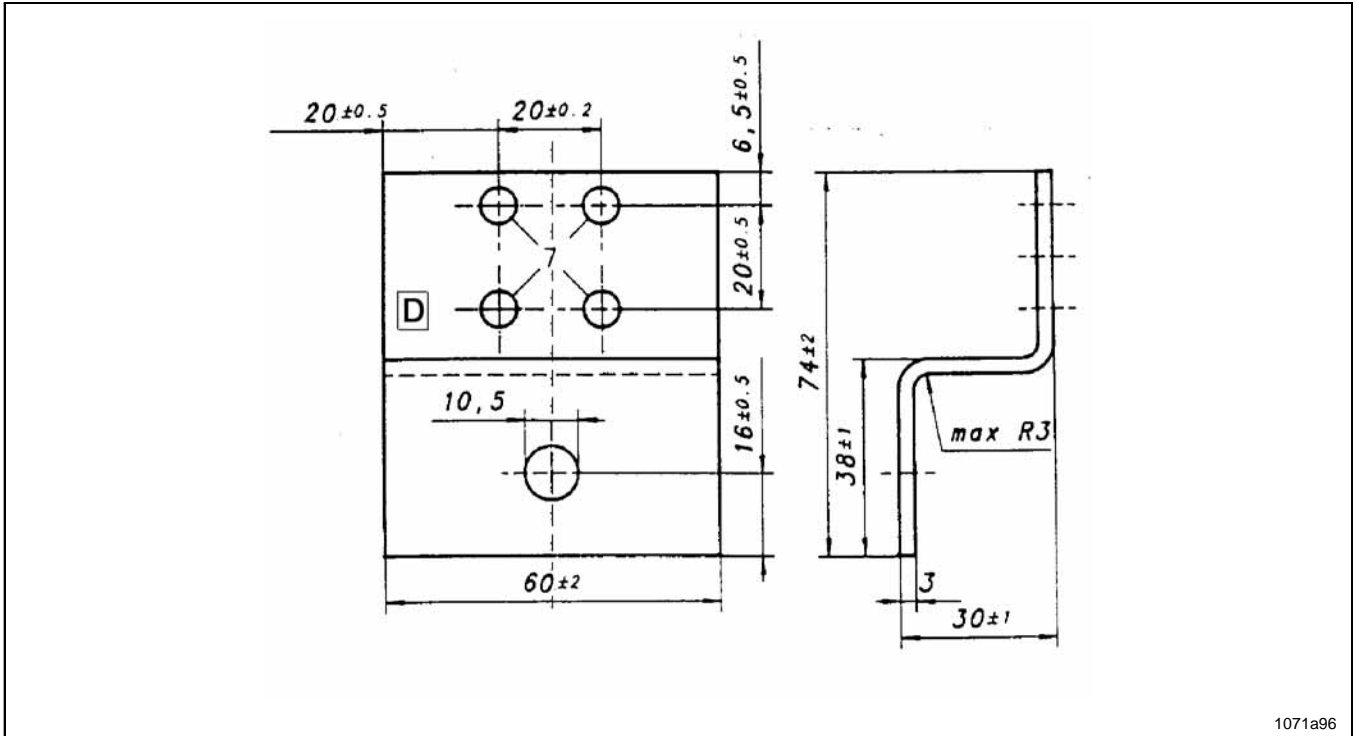


Fig. 183 Bracket for metering devices, Part no. 307-19543-1

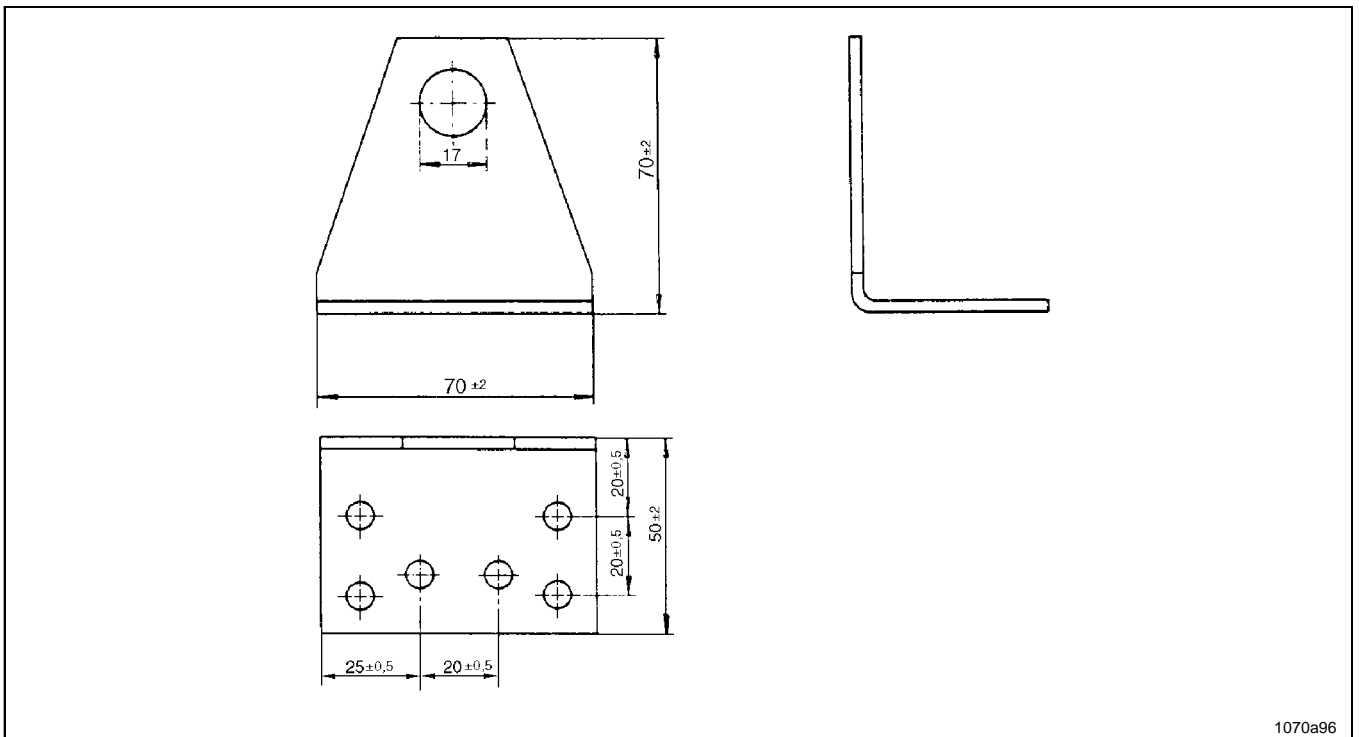


Fig. 184 Mounting elbows for metering devices, Part no. 432-23982-1

Subject to modification

Weights

Pumps 203

The weights mentioned below include the following "individual weights":

- Pump kit with **one** pump element, pressure relief valve, grease filling (0.75 kg, 1.5 kg)
- Packaging (cardboard box)
- Fixing parts
- Operating instructions

2 L reservoir, standard (0.75 kg)

Pump model 203 without connecting cable	5.4 Kg
Pump model 203 type of connection 1A1	6.5 Kg
Pump model 203 type of connection 2A1	7.1 Kg

4 L reservoir, standard (1.5 kg)

Pump model 203 without connecting cable	8.3 Kg
Pump model 203 type of connection 1A1	9.3 Kg
Pump model 203 type of connection 2A1	9.9 Kg

8 L reservoir, standard (1.5 kg)

Pump model 203 without connecting cable	8.6 Kg
Pump model 203 type of connection 1A1	9.6 Kg
Pump model 203 type of connection 2A1	10.2 Kg

In the case of other pump models, the weights of the components must be added to the before mentioned weights.

per pump element	+0.2 kg
per pressure relief valve	+0.1 kg
10 m connection cable, 5-core - (microprocessor) 2A4.....	+1.1 kg
10 m connection cable, 4-core - (microprocessor) 2A4.....	+0.4 kg
Connection cable with piston detector00.....	+0.1 kg
Reservoir design "Filling from top (only 2 L) ¹⁾	+0.15 kg
2 L flat-type reservoir.....	+0.5 kg



6001a02

NOTE

The 4 L and 8 L reservoirs are equipped in series with "Filling from top".

Metering devices

SSV 6	0.8 kg
SSV 8	1.0 kg
SSV 10	1.2 kg
SSV 12	1.4 kg
SSV 14	1.8 kg
SSV 16	2.0 kg
SSV 18	2.2 kg
SSV 20	2.4 kg
SSV 22	2.6 kg
SSV D 6	1.2 kg
SSV D 8	1.5 kg
SSV D 10	1.7 kg
SSV D 12	1.9 kg
SSV D 14	2.2 kg
SSV D 16	2.5 kg
SSV D 18	2.8 kg
SSV D 20	3.1 kg
SSV D 22	3.4 kg

Accessories

Check valve assy., screw type	16.2 g
Check valve assy., push-in type	18.9 g
Male connectors	
- screw type	13.8 g
- push-in type	10.6 g
Male elbows	
- screw type	23.5 g
- push-in type	16.0 g
Hydraulic lubrication fitting	10.3 g
Indicator pin.....	15.0 g
Indicator pin & limit switch	102.0 g
Piston detector	130.0 g
Piston detector, 3-wire.....	30.0 g

America:

Lincoln Industrial
One Lincoln Way
St. Louis, MO 63120-1578
USA
Phone: (+1) 314 679 4200
Fax: (+1) 800 424 5359

Europe/Africa:

Lincoln GmbH
Heinrich-Hertz Straße 2-8
69190 Walldorf, Germany
Tel: (+49) 6227 33-0
Fax: (+49) 6227 33-259

Asia/Pacific:

Lincoln Industrial Corporation
51 Changi Business Park Central 2
09-06 The Signature
Singapore 486066
Phone: (+65) 6588-0188
Fax: (+65) 6588-3438
Email: sales@lincolnindustrial.com.sg

© Copyright 2008
Printed in Germany
Web site:
www.lincolnindustrial.com